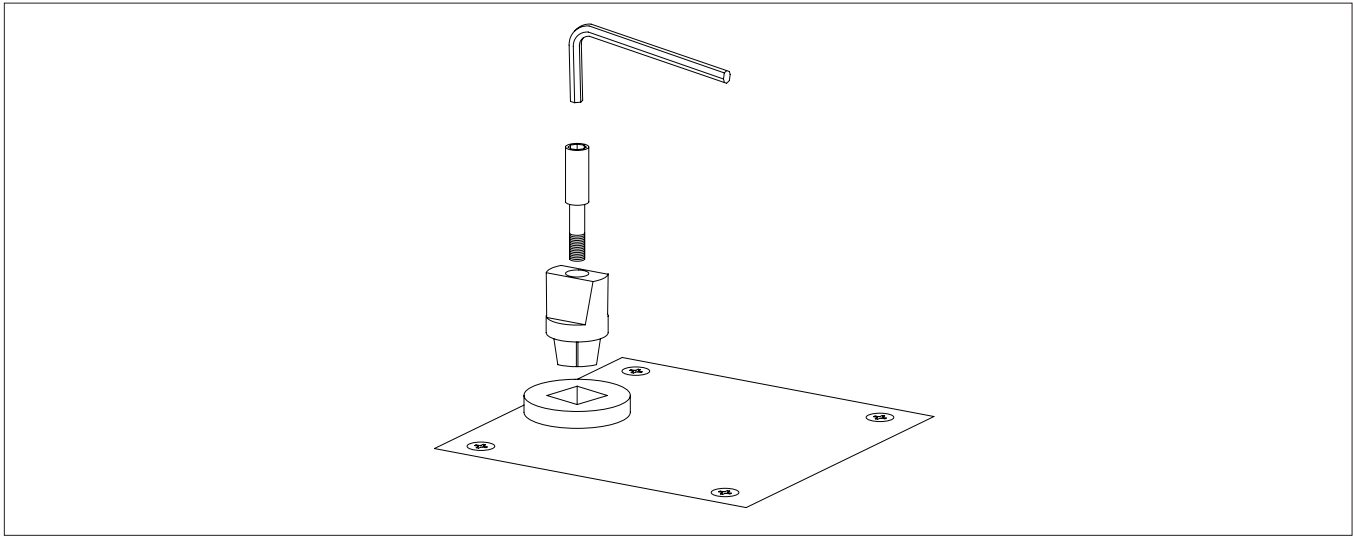


Installation Instructions

7471HD Heavy Duty Floor Bearing 3/4" Offset, 1-1/2" Offset, Center Hung

1.1 Install pivot



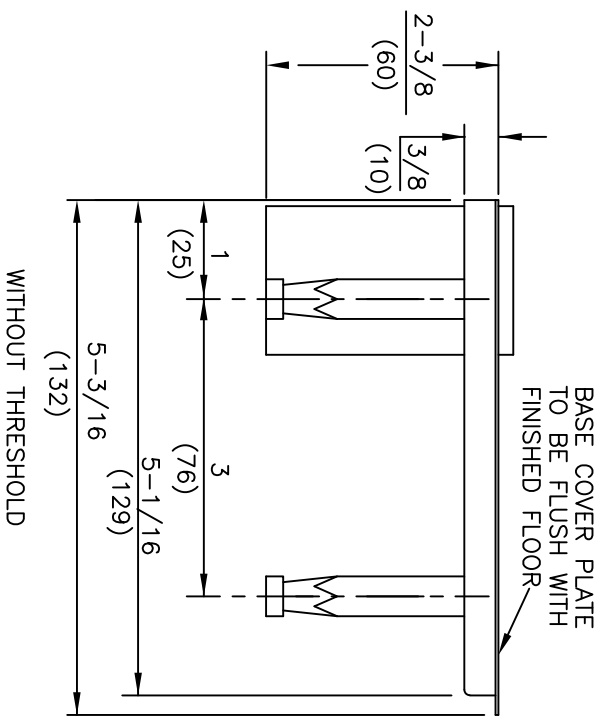
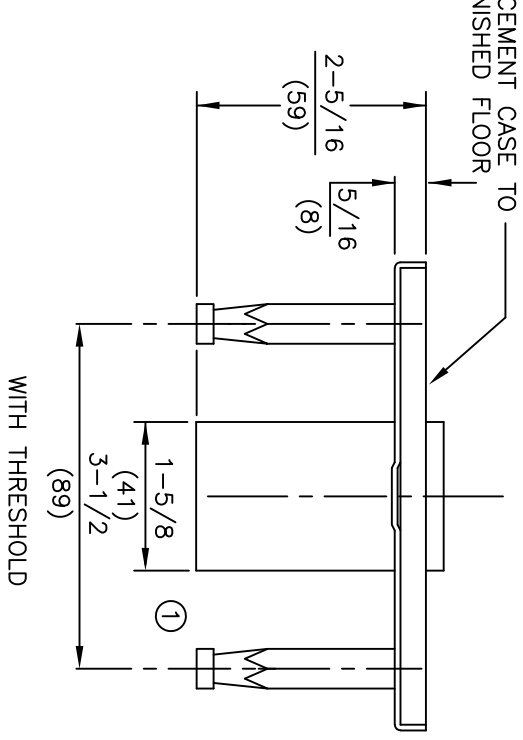
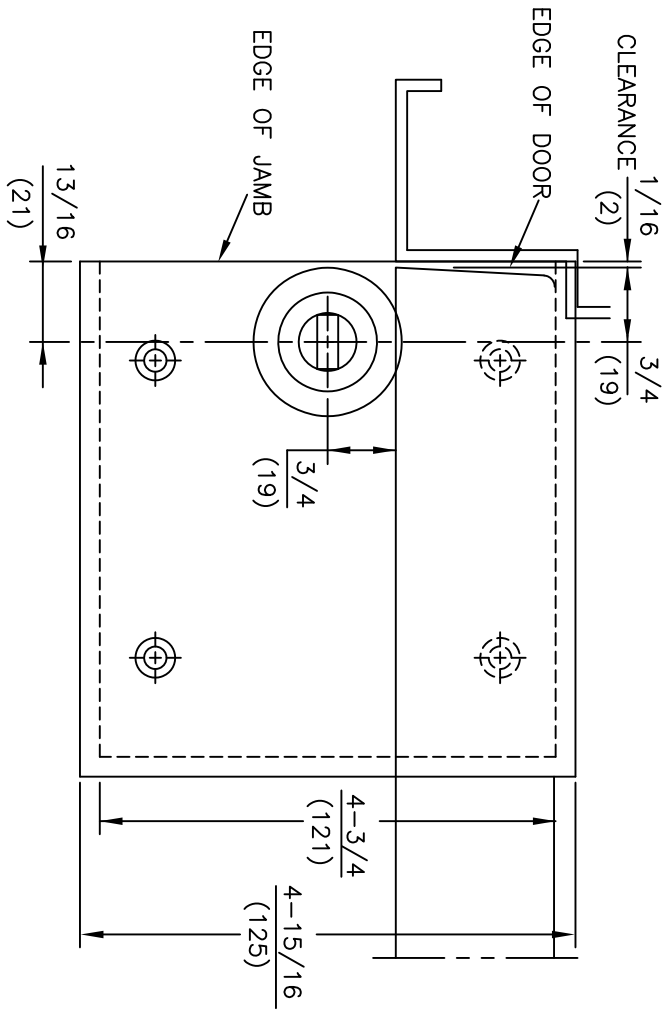
- 1.1.1 Prepare floor according to templates.
- 1.1.2 Grout in floor bearing with anchors.
- 1.1.3 Attach cover plate.

NOTES:

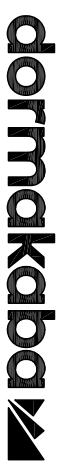
- **Make sure spindle center line is in proper alignment with top pivot.**
 - **Bearing should be grouted in place so that it is square with frame, level in all directions and top of cover plate will be flush with finished floor.**
 - **For threshold applications, drill a 1-1/4" diameter clearance hole in the threshold coinciding with the spindle location.**
 - **Top of floor bearing cement case is flush with finished floor line for threshold applications.**
- 1.1.4 Anchor floor bearing first, then the threshold in a usual fashion.
 - 1.1.5 Attach spindle using 5mm hex key.

- NOTES:
1. DO NOT SCALE DRAWING.
 2. DIMENSIONS ARE IN INCHES\MM.
 3. RIGHT HAND DOOR SHOWN.

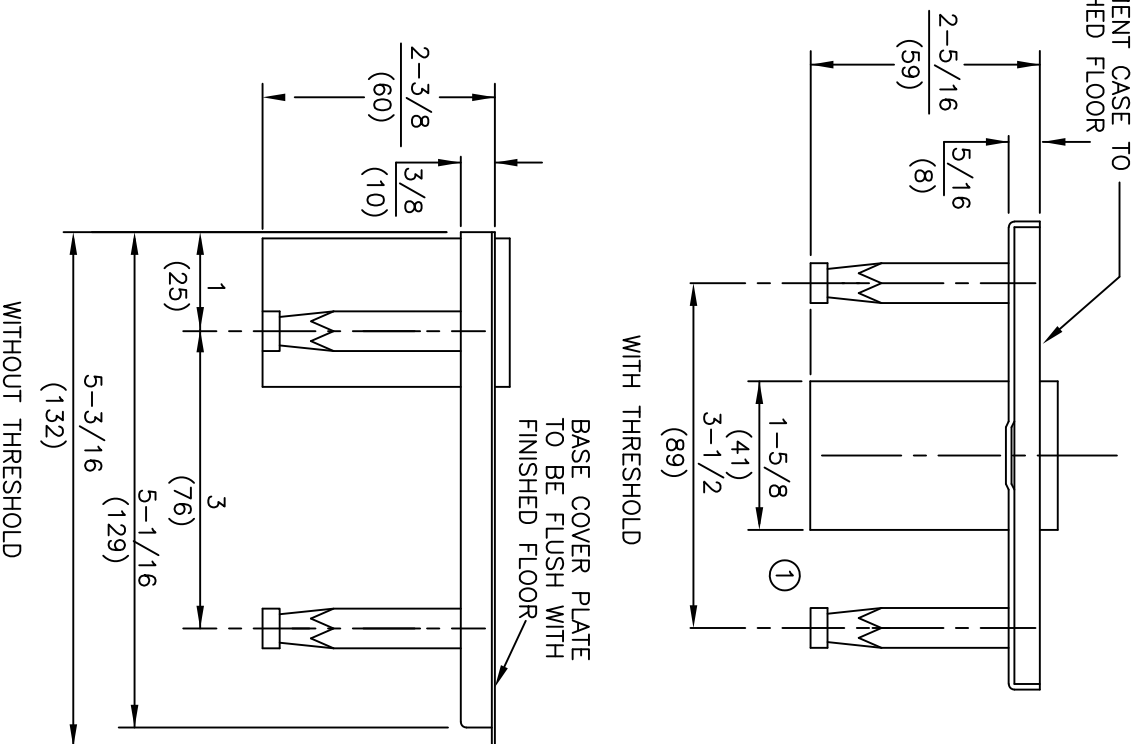
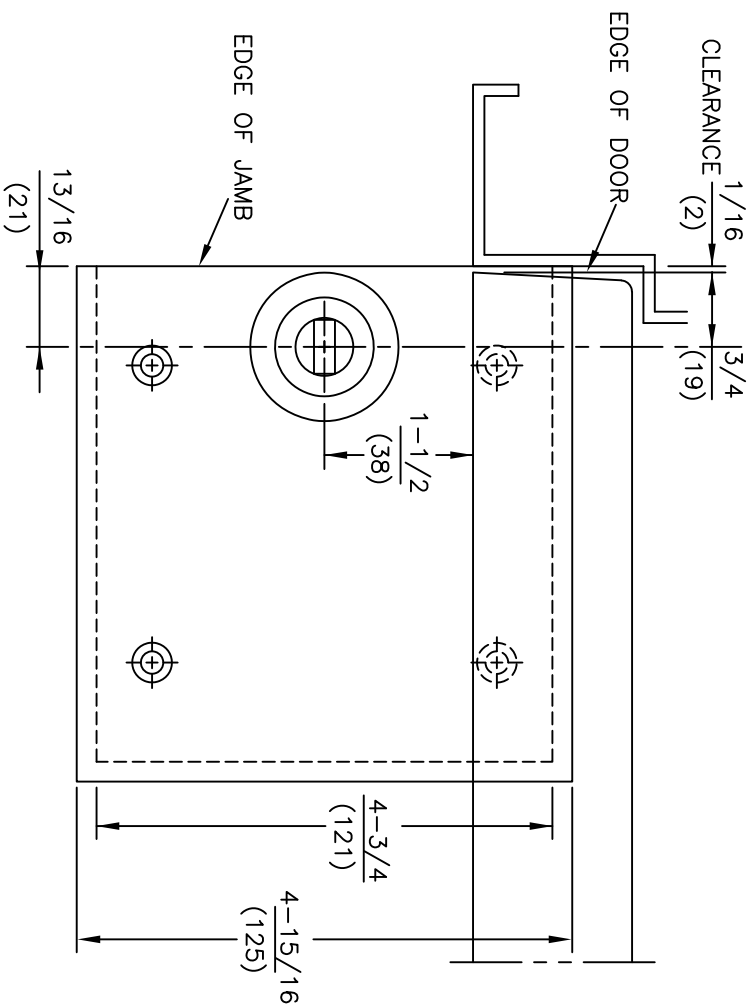
TOP SURFACE OF CEMENT CASE TO
 BE FLUSH WITH FINISHED FLOOR



ITEM No. 7471HD FLOOR BEARING
 $\frac{3}{4}$ " OFFSET HEAVY DUTY FLOOR BEARING INSTALLATION
 FOR USE WITH 75323 & 75343, 75343-2,
 75343-2-1/4, 75343-2-1/2, 75343-3 LEAD LINED BOTTOM ARMS



- NOTES:
1. DO NOT SCALE DRAWING.
 2. DIMENSIONS ARE IN INCHES\MM.
 3. RIGHT HAND DOOR SHOWN.

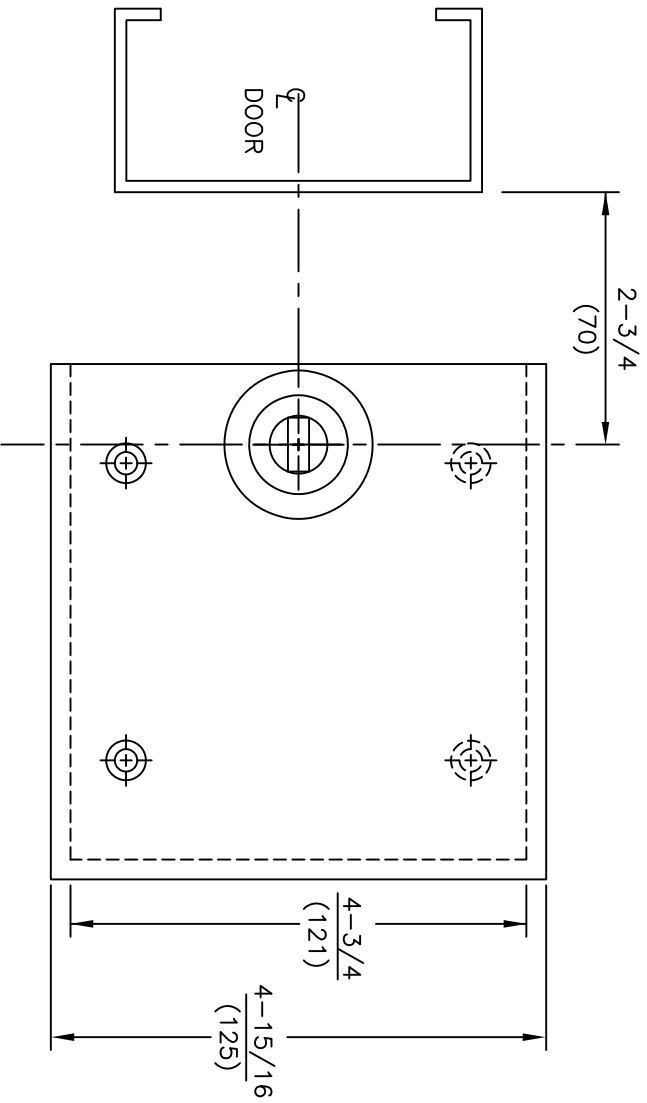


ITEM No. 7471HD FLOOR BEARING
 1-1/2" OFFSET HEAVY DUTY FLOOR BEARING INSTALLATION
 FOR USE WITH 15323 BOTTOM ARM

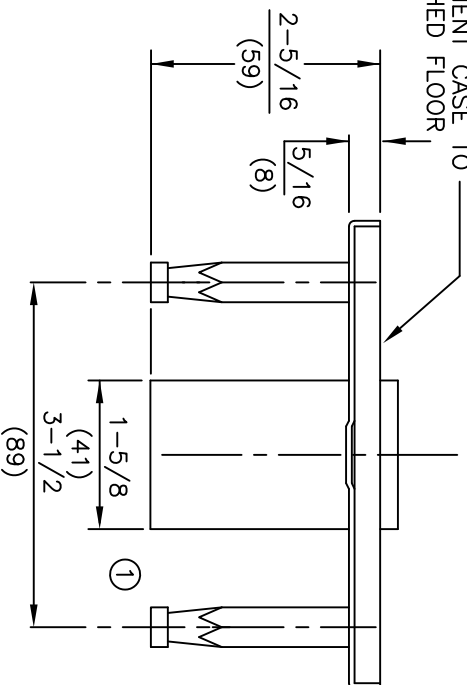


dormakaba USA, INC.
 800 523 8483

- NOTES:
1. DO NOT SCALE DRAWING.
 2. DIMENSIONS ARE IN INCHES \ MM.
 3. RIGHT HAND DOOR SHOWN.

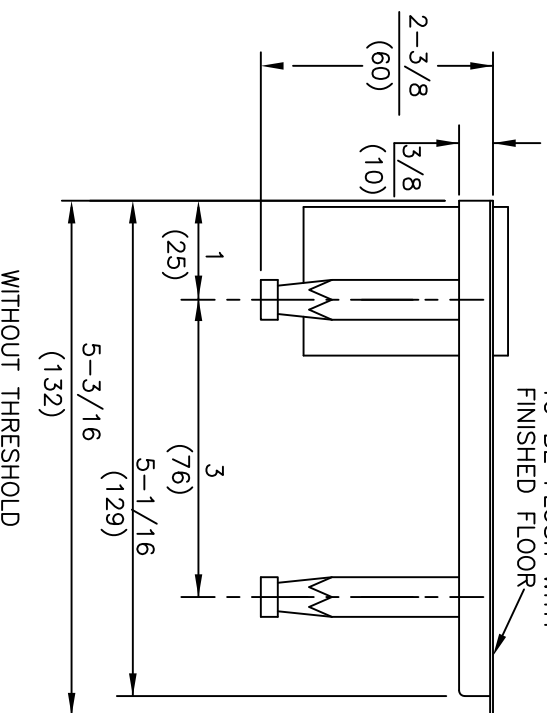


TOP SURFACE OF CEMENT CASE TO BE FLUSH WITH FINISHED FLOOR



WITH THRESHOLD

BASE COVER PLATE TO BE FLUSH WITH FINISHED FLOOR



WITHOUT THRESHOLD

ITEM No. 7471HD FLOOR BEARING
 CENTER HUNG HEAVY DUTY FLOOR BEARING INSTALLATION
 FOR USE WITH 7421 BOTTOM ARM



dormakaba USA, INC.
 800 523 8483