

MUNDUS Premium PT70

Trasom Connector Fitting

Installation instructions

942006 – 05-2018

| EN |

dormakaba 

Table of contents

1	Technical specifications	3
1.1	Overview	3
	1.1.1 General information	3
	1.1.2 Intended use	3
	1.1.3 Glass requirements/ fittings/ mounting	3
	1.1.4 Requirements for glass panel	3
	1.1.5 Safety instructions	3
	1.1.6 Symbols used - Safety/ Installation	3
	1.1.7 Maintenance, care, repair	3
	1.1.8 Disposal	3
1.2	Door dimensions	4
1.3	Tempered laminate glass (TLG) and adhesive specifications	5
2	Installation instructions	6
2.1	Overall	6
2.2	Install gaskets	7
2.3	Install plates and remaining fitting parts	7
2.4	Plumb and level the fitting	8
2.5	Secure the fitting	8
2.6	Apply adhesive: (For TLG applications ONLY.)	9
2.7	Install covers	9

1 Technical specifications

1.1 Overview

These instructions are for installation of the PT70 Transom Connector Fitting for the following mounting and style versions:

1. Glass mounting

1.1.1 General information

- dormakaba requires use of tempered laminated or tempered monolithic glass.
- dormakaba glass hardware is not suitable for harsh environment; for example, applications where chemicals (e.g. chlorine) are used such as indoor swimming pools, saunas, or salt-water pools.
- Do not swing doors with excessive force. Install limiting stop to prevent door from opening too far.

1.1.2 Intended use

- For pivoting doors in indoor or covered areas only.
- For manual slowly opening and closing only.

1.1.3 Glass requirements/ fittings/ mounting

- The substructure/wall must be able to bear permanent loads, be level (max. tolerance: 1/16" [2] per 39" [1m]).
- Fasteners must be sufficiently dimensioned for the substructure/wall and weight of the door.
- When adjusting glass components, always stick to the required clearance for the respective hardware. Adjust clearance so glass does not come in contact with any hard surfaces such as glass, metal or concrete.
- Do not use excessive force when installing the glass (avoid over tightening screws.)

1.1.4 Requirements for glass panel

- dormakaba requires use of fully tempered glass, which complies with ASTM C 1036 and ASTM C 1048. Secondary heat soaking processes are optional but not required. This applies to both tempered monolithic and tempered laminated glass.
- Clamping area must be flat and uncoated (no self-cleaning coating!)
- Never use glass with conchoidal fractures and/or damaged edges.

1.1.5 Safety instructions

- Installation requires two people.
- Always wear protective clothing.

- Only properly qualified and specially trained staff is authorized to mount dormakaba glass hardware.
- Due to crushing hazards and possible injury caused by breakage of glass during mounting, corresponding protective clothing (especially gloves and protective goggles) is required.
- Never clamp metal fitting hardware directly to glass surface.

1.1.6 Symbols used - Safety/Installation



CAUTION

Mounting components must meet the requirements of substructure/wall and door weight. Please read the technical information for fittings.



WARNING

Risk of breaking glass. When installing the door, support the door panel with a block of wood or similar object.



TIPS AND RECOMMENDATIONS

Information note



CLOSING EDGE OF DOOR

1.1.7 Maintenance, care, repair

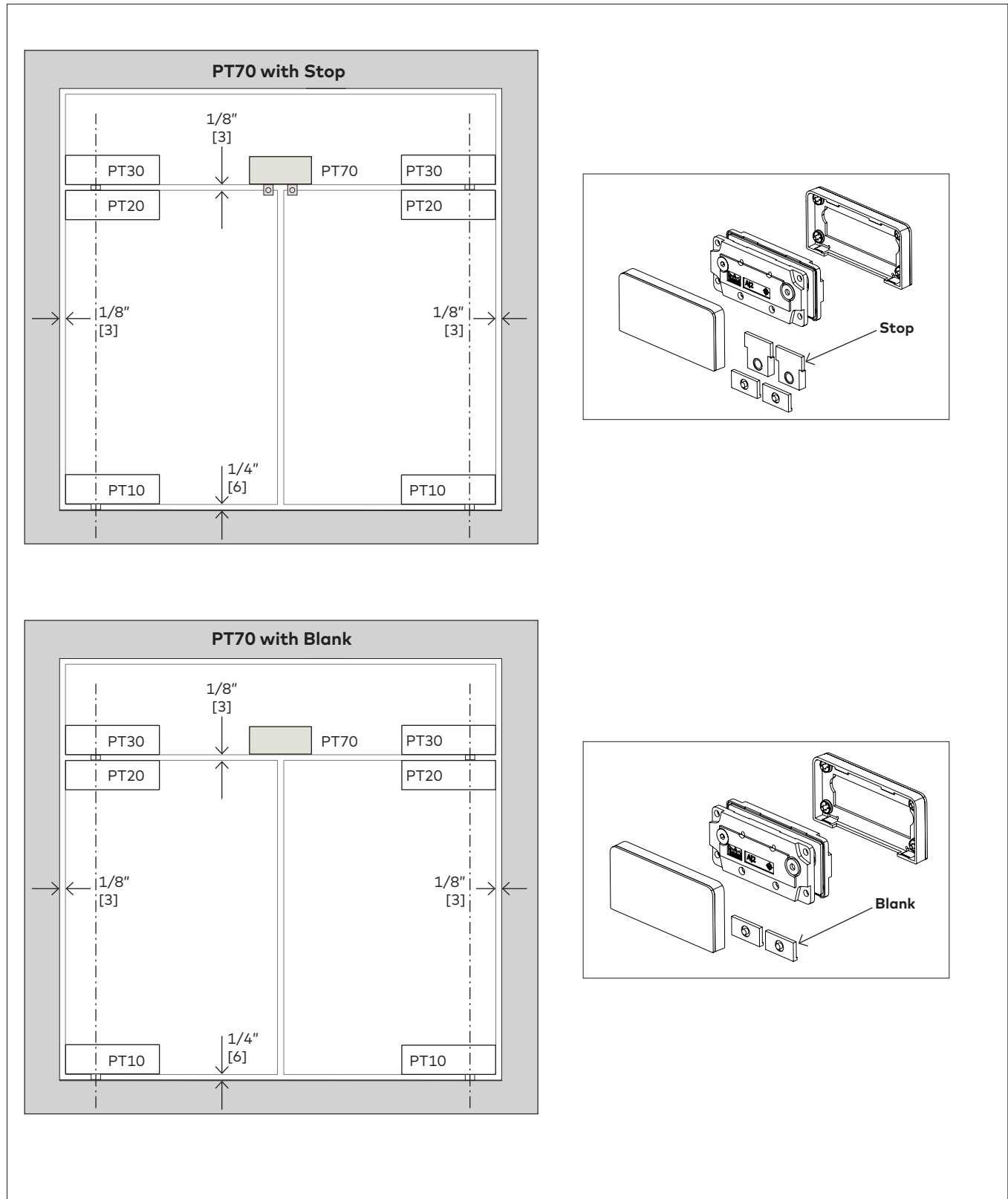
- Immediately replace damaged parts.
- Always use original dormakaba parts.
- Clean clamping area with alcohol-based standard commercial cleaning agent before mounting the glass hardware.
- Use a damp cloth for occasional cleaning.
- Always use silicone - and oil-free cleaners (e.g. acetone).
- Check glass hardware at regular intervals for proper positioning, smooth operation and correct adjustment.
- High traffic door systems require inspection by properly qualified staff (specialized companies or installation firms.)
- Function of fittings is recommended to be inspected every 500,000 movements by a specialist.

1.1.8 Disposal

Disposal in accordance with local, state and national regulations.

1.2 Door dimensions

Fig. 1



1.3 Tempered laminate glass (TLG) and adhesive specifications

Required parts for laminate glass with MUNDUS System (INCLUDED)	Part Number	Quantity	Usage recommendation
3M™ Scotch-Weld™ Urethane Adhesive, DP 605 NS	934.800	1 tube	1 tube per 10 fittings
3M™ Scotch-Weld™ EPX™ Plus II Mixing Square Nozzle, 5.3mm ³	934.802	1 tip nozzle	1 nozzle per 2 fittings
MUNDUS gasket for TLG	842.821 842.825	1 set	
Handling time frame	Function	Time	
	Working life (<i>time between application and clamping of carrier</i>)	5 minutes @ 75°F	
	Handling strength	20 minutes @ 73°F or more	
	Full cure time (<i>normal door usage not recommended until full cure time has been met</i>)	48 hours @ 73°F or more	

Required parts for laminate glass with MUNDUS System (NOT INCLUDED)	Part Number	Quantity	Usage recommendation
3M™ Scotch-Weld™ EPX™ Plus II Applicator with 1:1 Plunger ²	934.801	1 applicator	

NOTE: Door glass should not be installed until the full cure time as been reached (see chart above).

Important safety-related information for the mounting and use of dormakaba glass hardware.

1.1 Clean clamping area with alcohol-based standard commercial cleaning agent before mounting the glass hardware.

1.2 Never clamp metal fitting hardware directly to glass surface.

1.3 Never use clamping products on surfaces with self-cleaning coatings.

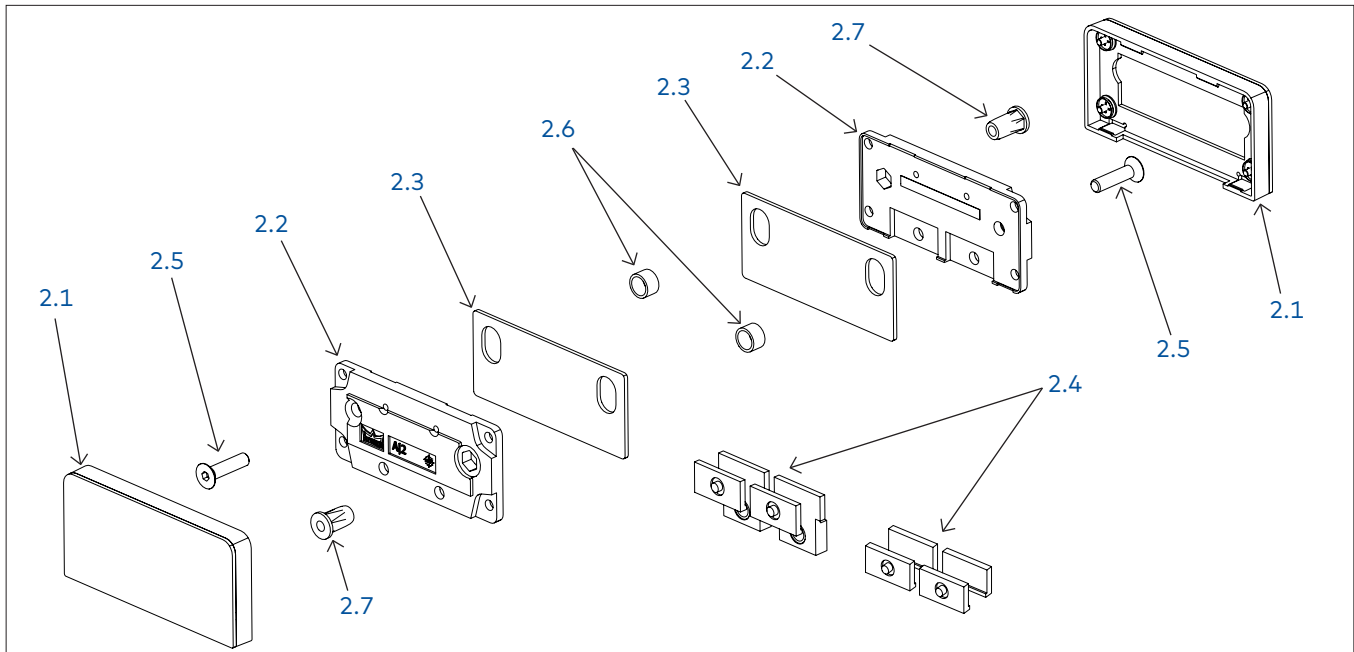
² Scotch-Weld™ EPX™ Plus II Applicator with 1:1 Plunger is a trademark of 3M.

³ Scotch-Weld™ EPX™ Plus II Mixing Square Nozzle is a trademark of 3M.

2 Installation instructions

2.1 Overall

Fig. 2



2.1 Patch covers

2.2 Patch plate

2.3 Patch gasket (standard or TLG)

2.4 Blank/stop

(application dependent)

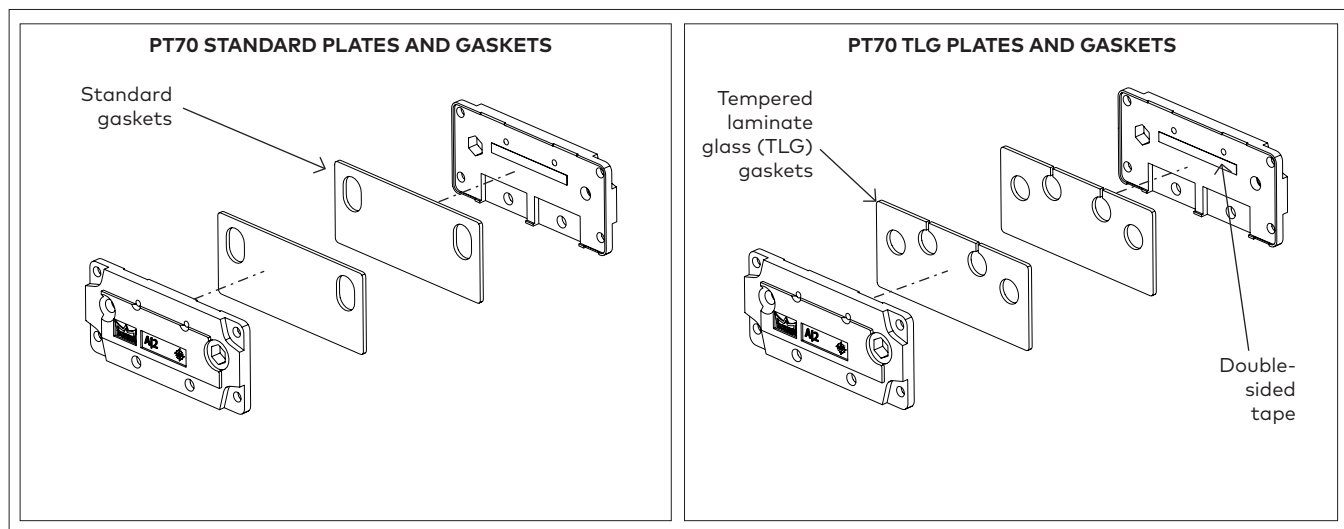
2.5 Fasteners (2x included)

2.6 Glass grommets (2x included)

2.7 Sleeve nuts (2x included)

2.2 Install gaskets

Fig. 4



Tempered monolithic glass:

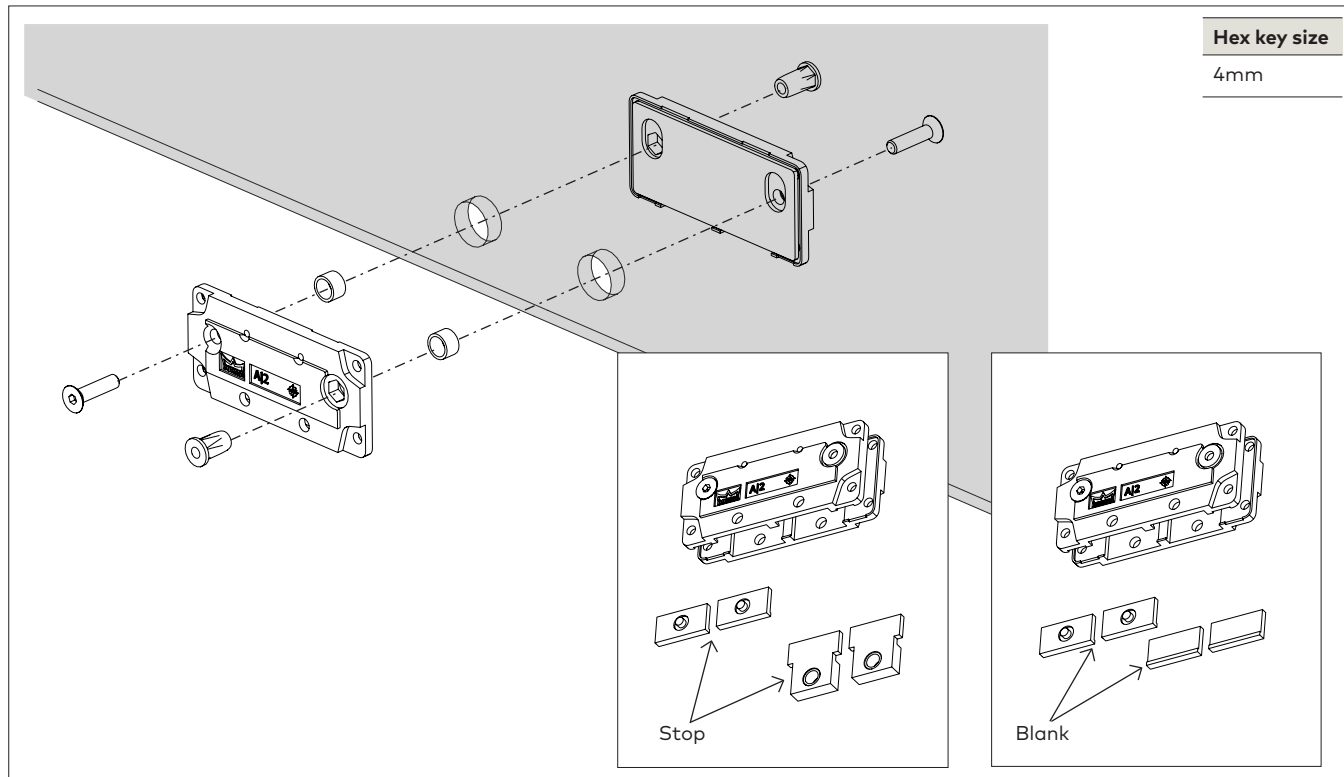
2.2.1 Install Standard gaskets using the pre-adhered double-sided tape strip.

Tempered laminate glass (TLG):

2.2.2 Install TLG gaskets using the pre-adhered double-sided tape strip.

2.3 Install plates and remaining fitting parts

Fig. 5

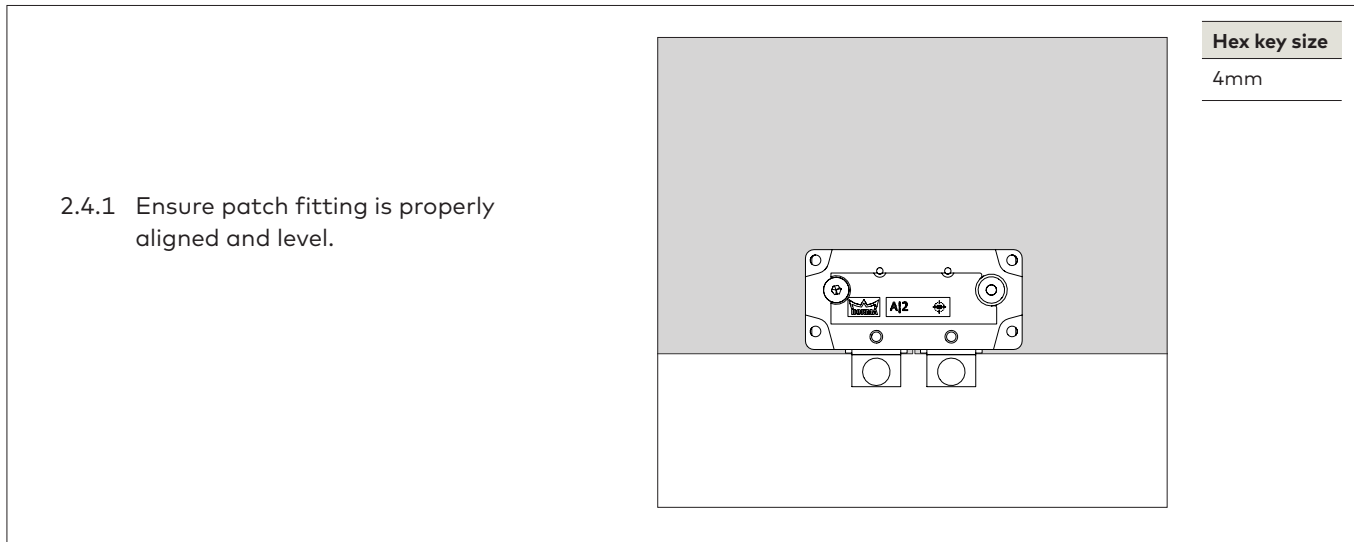


2.3.1 Assemble patch fittings on glass with appropriate insert (blank/stop).

- Use a 4mm hex key. Hand tighten only.

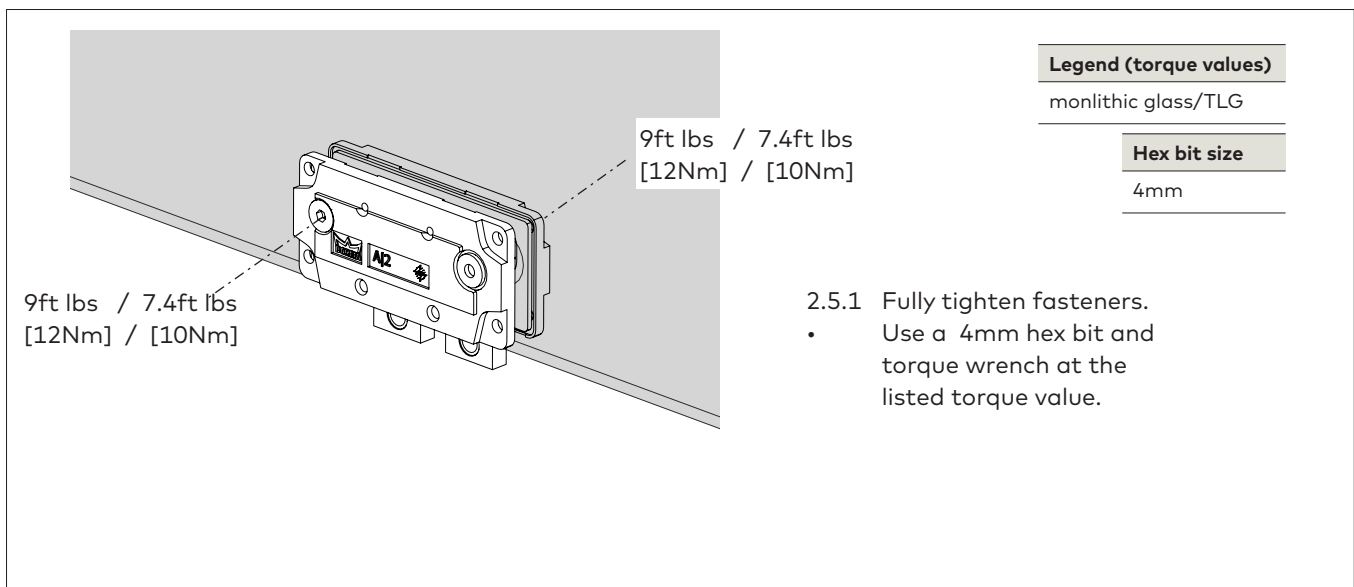
2.4 Plumb and level the fitting

Fig. 6



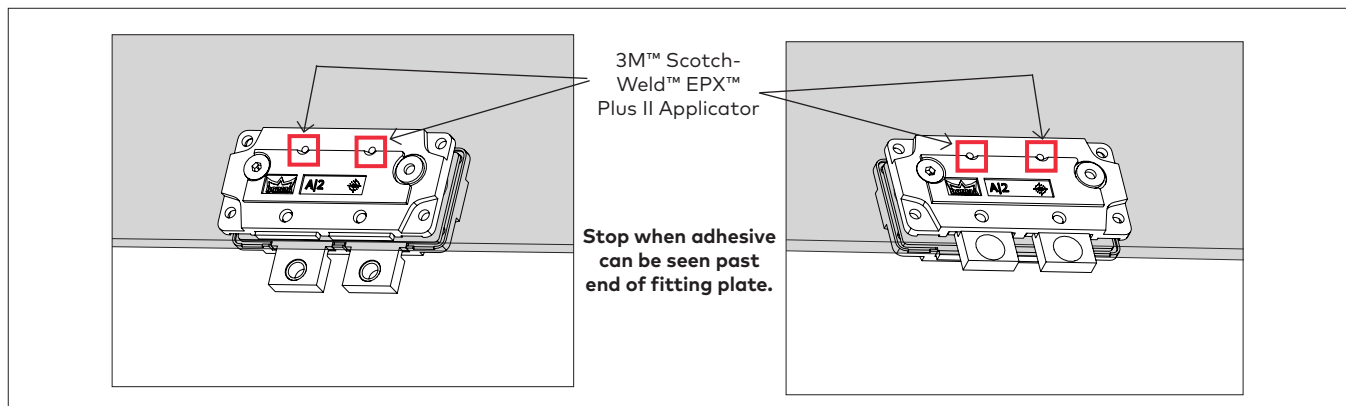
2.5 Secure the fitting

Fig. 7



2.6 Apply adhesive: (For TLG applications ONLY.)

Fig. 8



⚠ NOTE: THE RECOMMENDED ADHESIVE'S SET-UP TIME IS 20 MINUTES FOR THE DUO-PAK CARTRIDGES.

⚠ NOTE: USE 1:1 RATIO PLUNGER WITH THE 3M™ Scotch-Weld™ Urethane Adhesive.

⚠ NOTE: FULLY CLEAN SURFACE OF GLASS WITH AN ALCOHOL-BASED MILD GLASS AND SURFACE CLEANER. ENSURE NO DEBRIS IS ON THE GASKET.

NOTE: Onto scrap material, first dispense approximately 12" of 3M™ Scotch-Weld™ Urethane Adhesive prior to application prevent mixing errors and ensure optimal hardening.

⚠ Stop application when adhesive can be seen past edge of fitting.

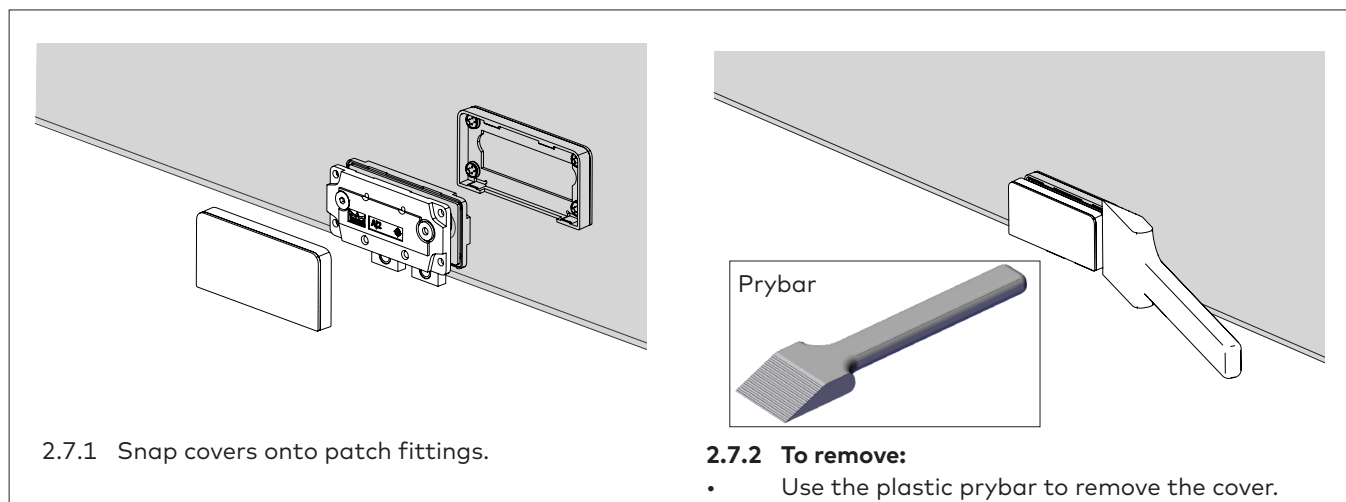
⚠ DO NOT WIPE any excess adhesive from glass surface. Allow adhesive to dry and scrape off glass surface with a beveled-edge chisel or putty knife.

2.6.1 Dispense into holes on both sides of fitting.

NOTE: See chart in Specifications section for appropriate curing time.

2.7 Install covers

Fig.9



2.7.1 Snap covers onto patch fittings.

2.7.2 To remove:

- Use the plastic prybar to remove the cover.

