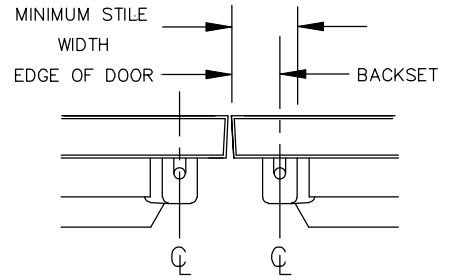
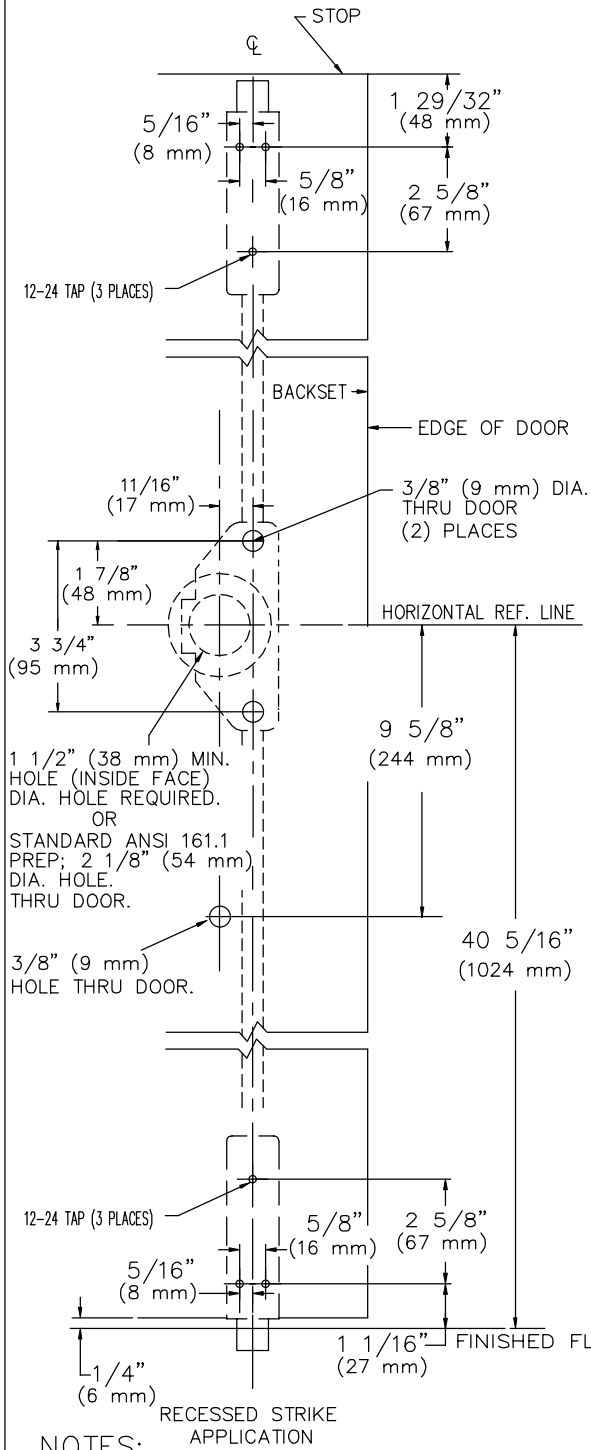
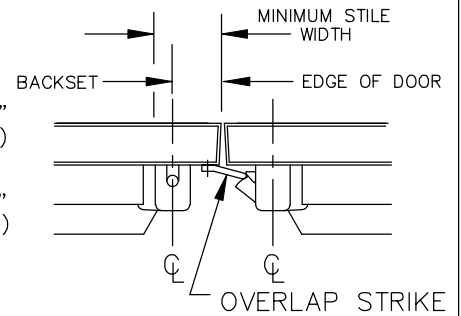
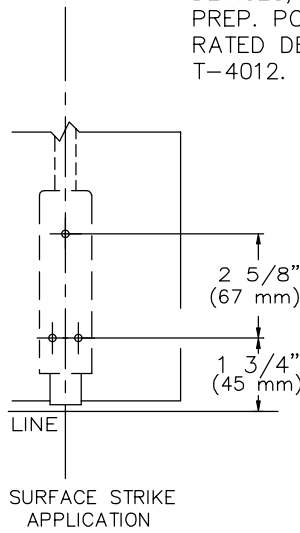


RHR SHOWN  
LHR OPPOSITE



	BACKSET	MIN. STILE WIDTH TRIMS LISTED BELOW
MINIMUM	1 7/8" (48 mm)	4 1/16" (103 mm)
STANDARD	2 1/16" (52 mm)	4 1/4" (108 mm)


FOR LESS BOTTOM ROD (LBR)  
DEVICES, DELETE BOTTOM LATCH  
PREP. POPPER REQUIRED ON FIRE  
RATED DEVICE, SEE TEMPLATE  
T-4012.



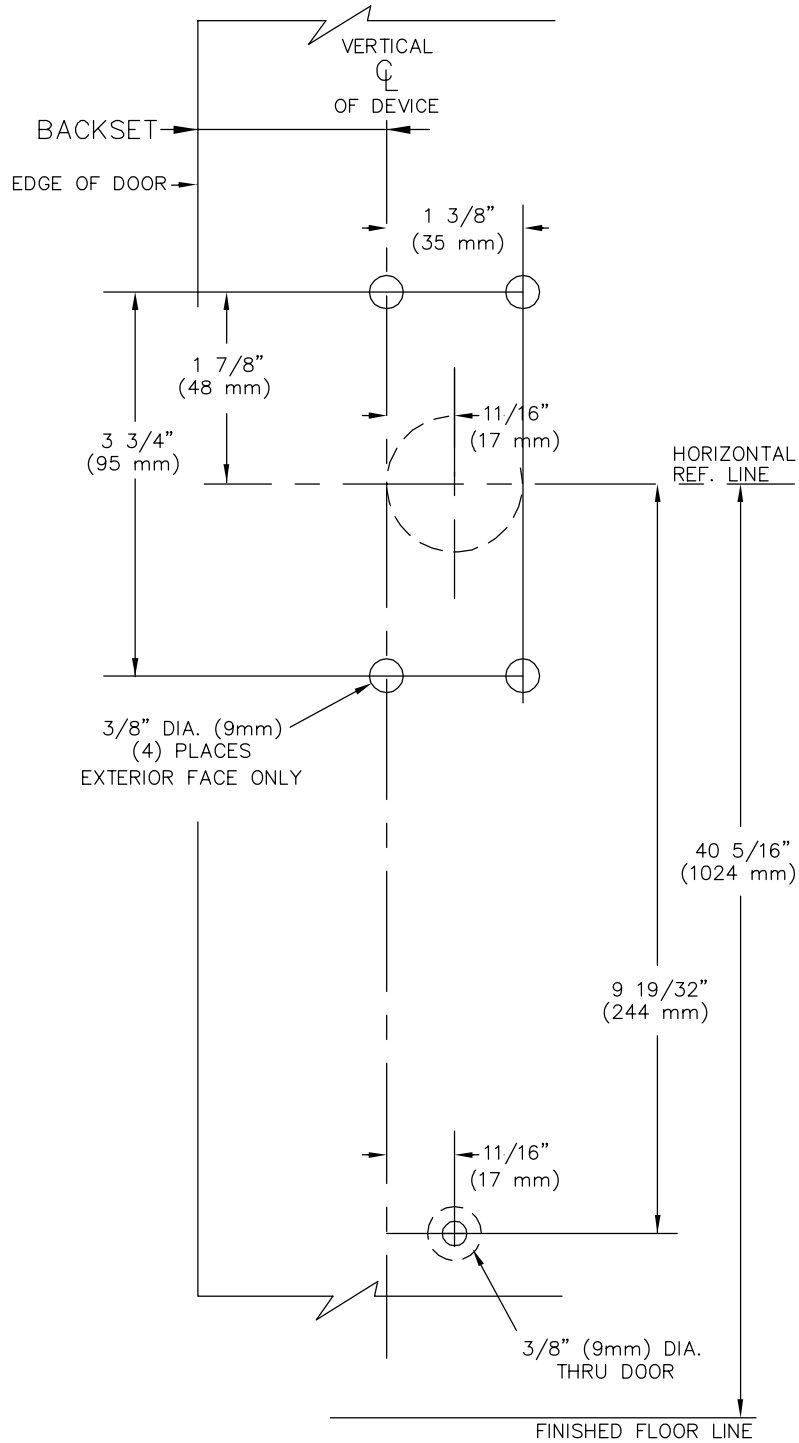
	BACKSET	MIN. STILE WIDTH TRIMS LISTED BELOW
	1 5/8" (41 mm)	3 13/16" (97 mm)

NOTES:

1. SEE MASTER SHEET #T-0001 FOR SUGGESTED DOOR REINFORCEMENT.
2. SEE ADDITIONAL TRIM TEMPLATE WHEN REQUIRED.
3. FOR LBR (LESS BOTTOM ROD) DEVICE, DELETE BOTTOM LATCH PREP.

REV. No. 1	REVISION: Dimension Correction	DATE: 8-14-03
	8400 & F8400 x NPSDT 8400 & F8400 x NPS03 8400 & F8400 x PTS02, PRS02 8400 & F8400 x PTS03, PRS03 VERTICAL ROD TYPE EXIT DEVICE	TEMPLATE NUMBER <b>T-1050 ①</b>


LHR SHOWN  
RHR OPPOSITE



NOT TO SCALE

NOTES:

1. SEE MASTER SHEET #T-0001 FOR SUGGESTED DOOR REINFORCEMENT.

REV. No.	REVISION:	DATE: 2-3-03
	<p>8300 &amp; F8300 x NPSDT, PTS02, PRS02 RIM TYPE EXIT DEVICE</p>	<p>TEMPLATE NUMBER T-2067©</p>