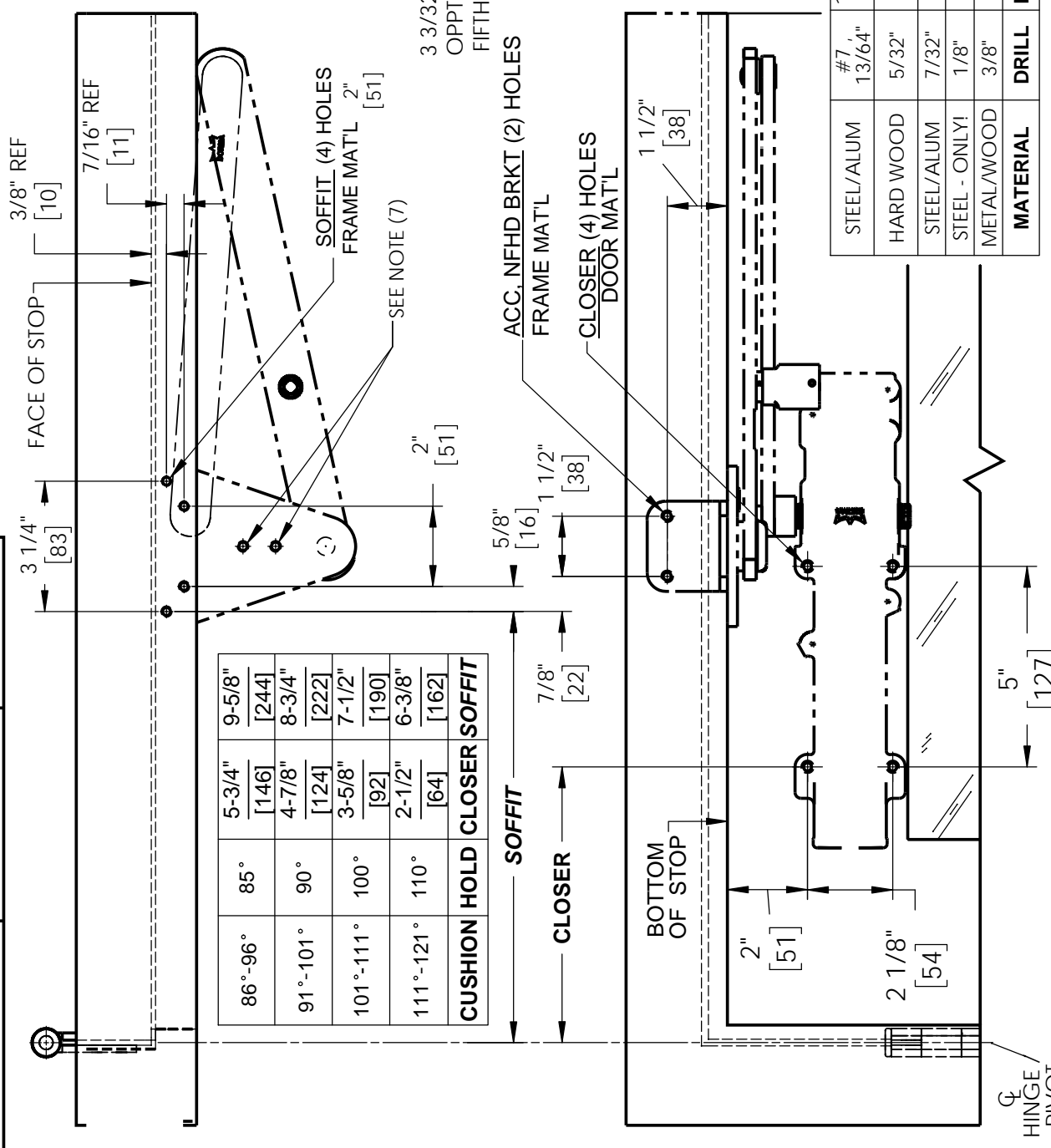


NOTES:

- 1) DRAWING IS NOT TO SCALE.
- 2) DIMENSIONS ARE IN INCHES/[MM].
- 3) LEFT HAND DOOR IS SHOWN.
- 4) SEX NUTS* ARE REQUIRED FOR ATTACHMENT OF COMPONENTS TO UNREINFORCED DOOR AND TO WOOD OR PLASTIC FACED COMPOSITE TYPE FIRE DOORS, UNLESS AN ALTERNATIVE METHOD IS IDENTIFIED IN THE INDIVIDUAL DOOR MANUFACTURER'S LISTINGS.
- 5) ACC, BSHD SPACER, REVEAL 1/8 MIN.
- 6) ACC, NFHD BRKT REINFORCEMENT REVEAL DEPTH 1 TO 3-5/8"
- 7) FIFTH HOLE & SPACER BLOCK REINFORCEMENT REVEAL DEPTH 2 5/8" MIN
- 8) MINIMUM DOOR WIDTH IS 26".



86°-96°	5-3/4" [146]	9-5/8" [244]
91°-101°	4-7/8" [124]	8-3/4" [222]
101°-111°	3-5/8" [92]	7-1/2" [190]
111°-121°	2-1/2" [64]	6-3/8" [162]
CUSHION HOLD CLOSER	SOFFIT	SOFFIT
	7/8" [22]	7/8" [22]
	CLOSER	CLOSER
	5/8" [16]	1 1/2" [38]
	1 1/2" [38]	1 1/2" [38]
	2" [51]	2" [51]
	2 1/8" [54]	2 1/8" [54]
	5" [127]	5" [127]

MATERIAL	DRILL	PASTENER
STEEL/ALUM	#7, 13/64"	1/4-20 UNC MACHINE
HARD WOOD	5/32"	14 GA WOOD
STEEL/ALUM	7/32"	TPK
STEEL - ONLY!	1/8"	DPK
METAL/WOOD	3/8"	SEX-NUT*

Always consult DORMA's web site for latest template at www.dorma-usa.com or call 1-800-523-8483.

8916 & 8956 SPRING-DOOR SAVER THUMB HOLD ARM (S-DST)
PUSH SIDE INSTALLATION

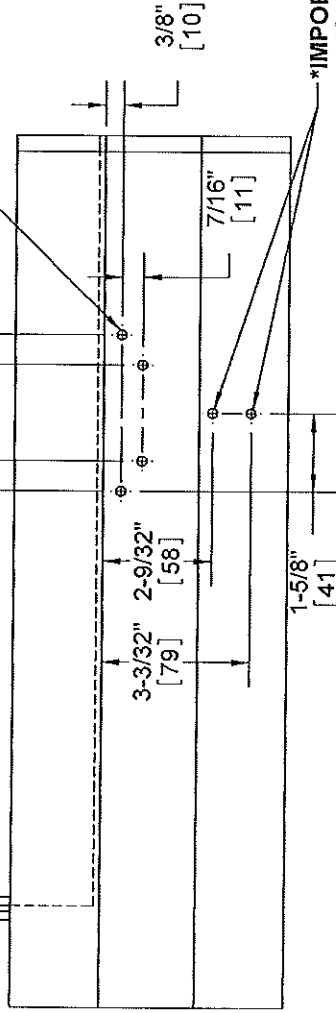


DORMA USA, Inc.
Reamstown, PA 17567

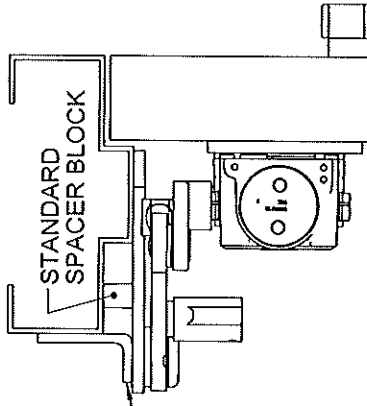
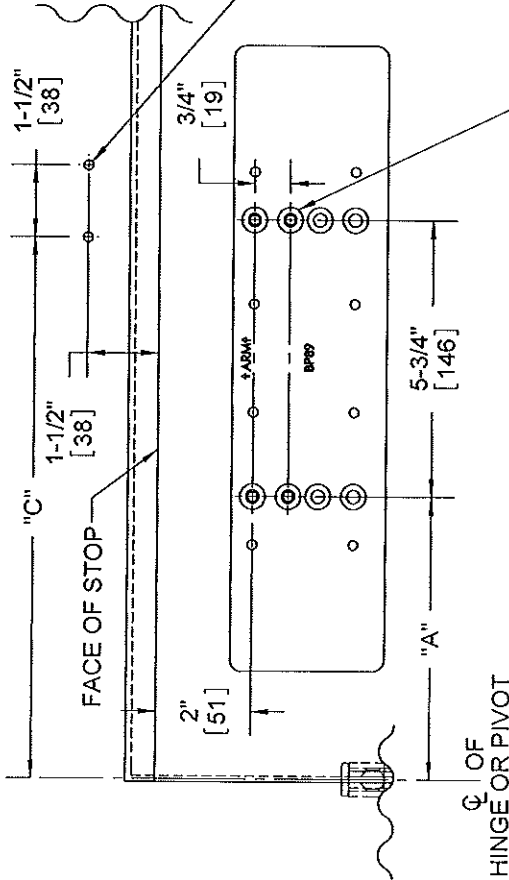
FOR 1/4 - 20 MACHINE SCREWS, USE 13/64" OR #7 DRILL & TAP
 FOR NO. 14 WOOD SCREWS, USE 5/32" DRILL
 FOR DPK FASTENERS, USE 1/8" DRILL
 FOUR (4) HOLES IN FRAME AS FOR SOFFIT PLATE

NOTES:

- 1) DO NOT SCALE THIS DRAWING
- 2) DIMENSIONS ARE IN INCHES/[MM]
- 3) LEFT HAND DOOR IS SHOWN
- 4) CAUTION: SEX NUTS ARE REQUIRED FOR ATTACHMENT OF COMPONENTS TO UNREINFORCED DOOR AND TO WOOD OR PLASTIC FACED COMPOSITE TYPE FIRE DOORS, UNLESS AN ALTERNATIVE METHOD IS IDENTIFIED IN THE INDIVIDUAL DOOR MANUFACTURE'S LISTINGS.
- 5) MINIMUM DOOR WIDTH IS 26"
- 6) OPTIONAL DPK FASTENERS (DPK89) FOR STEEL DOOR & FRAME ONLY.



***IMPORTANT: CHOOSE APPROPRIATE FIFTH HOLE LOCATION FOR SPACER BLOCK, IN ACCORDANCE WITH FRAME WIDTH. ONE (1) HOLE IS FRAME FOR STANDARD BLOCK. PREPARE HOLE SAME AS SOFFIT PLATE HOLES**



STANDARD NFHD BRACKET

FOR 1/4 - 20 MACHINE SCREWS, USE 13/64" OR #7 DRILL & TAP
 FOR NO. 14 WOOD SCREWS, USE 5/32" DRILL
 FOR DPK FASTENERS, USE 1/8" DRILL
 TWO (2) HOLES IN FRAME ARE FOR NFHD BRACKET

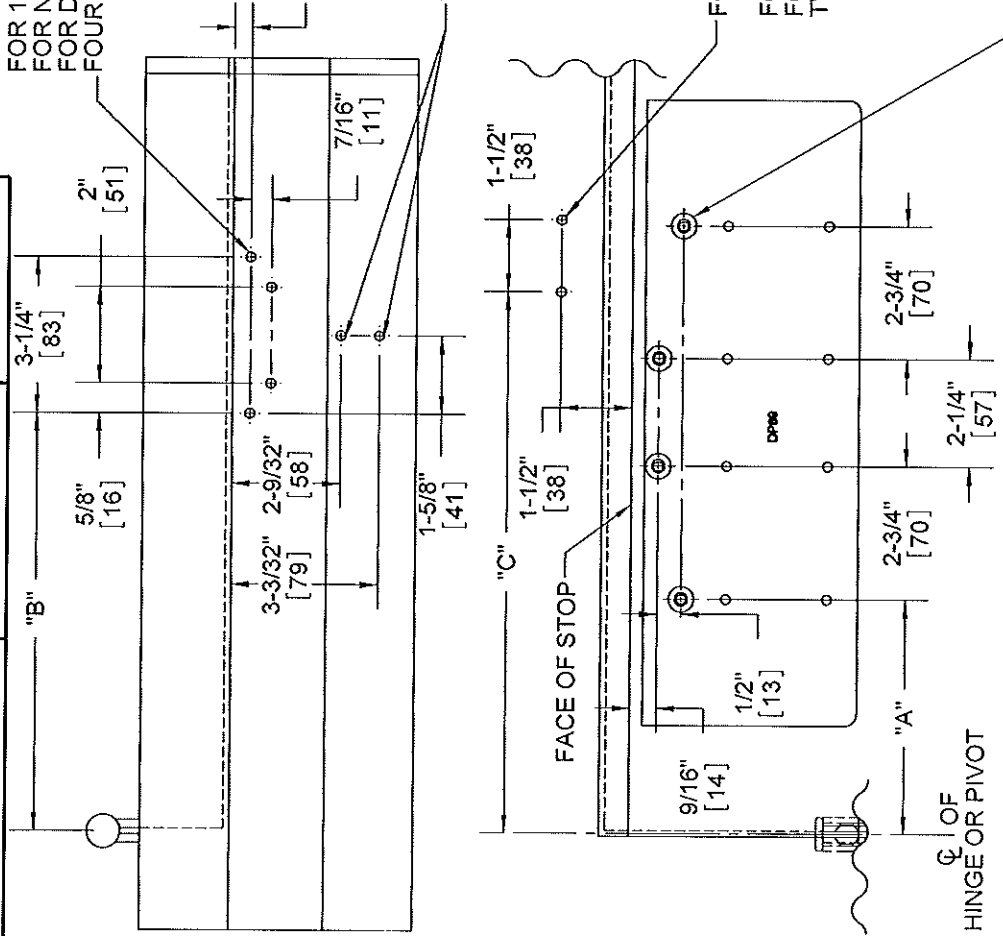
FOR 1/4 - 20 MACHINE SCREWS, USE 13/64" OR #7 DRILL & TAP
 FOR NO. 14 WOOD SCREWS, USE 5/32" DRILL
 FOR DPK FASTENERS, USE 1/8" DRILL
 FOR SEX NUTS, USE 3/8" DRILL
 FOUR (4) HOLES IN DOOR ARE FOR CLOSER (SHOWN)

ANGLE OF HOLD OPEN	ANGLE OF CUSHION	DIM. "A" DROP PLATE	DIM. "B" SOFFIT PLATE	DIM. "C" NFHD BRACKET
85°	86° - 96°	6-3/4" [171]	9-5/8" [244]	10-1/2" [267]
90°	91° - 101°	5-7/8" [149]	8-3/4" [222]	9-5/8" [244]
100°	101° - 111°	4-5/8" [117]	7-1/2" [190]	8-3/8" [213]
110°	111° - 121°	3-1/2" [89]	6-3/8" [162]	7-1/4" [184]

DOOR CLOSER MODELS: 8916 & 8956 SDST
 SPRING DOOR SAVER (PARALLEL ARM INSTALLATION) WITH BACK PLATE BP89
 FOR USE WITH STANDARD SPACER BLOCK
 FOR USE WITH STANDARD NFHD BRACKET



DORMA Architectural Hardware
 Reamstown, PA 17567



FOR 1/4 - 20 MACHINE SCREWS, USE 13/64" OR #7 DRILL & TAP
 FOR NO. 14 WOOD SCREWS, USE 5/32" DRILL
 FOR DPK FASTENERS, USE 1/8" DRILL
 FOUR (4) HOLES IN FRAME AS FOR SOFFIT PLATE

NOTES:

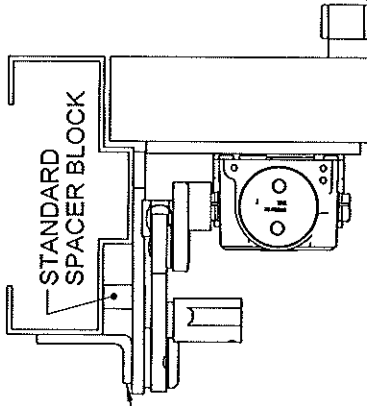
- 1) DO NOT SCALE THIS DRAWING
- 2) DIMENSIONS ARE IN INCHES/[MM]
- 3) LEFT HAND DOOR IS SHOWN
- 4) CAUTION: SEX NUTS ARE REQUIRED FOR ATTACHMENT OF COMPONENTS TO UNREINFORCED DOOR AND TO WOOD OR PLASTIC FACED COMPOSITE TYPE FIRE DOORS, UNLESS AN ALTERNATIVE METHOD IS IDENTIFIED IN THE INDIVIDUAL DOOR MANUFACTURE'S LISTINGS.
- 5) MINIMUM DOOR WIDTH IS 26"
- 6) OPTIONAL DPK FASTENERS (DPK89) FOR STEEL DOOR & FRAME ONLY.

***IMPORTANT: CHOOSE APPROPRIATE FIFTH HOLE LOCATION FOR SPACER BLOCK, IN ACCORDANCE WITH FRAME WIDTH. ONE (1) HOLE IS FRAME FOR STANDARD BLOCK. PREPARE HOLE SAME AS SOFFIT PLATE HOLES**

STANDARD NFHD BRACKET

FOR 1/4 - 20 MACHINE SCREWS, USE 13/64" OR #7 DRILL & TAP
 FOR NO. 14 WOOD SCREWS, USE 5/32" DRILL
 FOR DPK FASTENERS, USE 1/8" DRILL
 TWO (2) HOLES IN FRAME ARE FOR NFHD BRACKET

FOR 1/4 - 20 MACHINE SCREWS, USE 13/64" OR #7 DRILL & TAP
 FOR NO. 14 WOOD SCREWS, USE 5/32" DRILL
 FOR DPK FASTENERS, USE 1/8" DRILL
 FOR SEX NUTS, USE 3/8" DRILL
 FOUR (4) HOLES IN DOOR ARE FOR CLOSER (SHOWN)



ANGLE OF HOLD OPEN	ANGLE OF CUSHION	DIM. "A" DROP PLATE	DIM. "B" SOFFIT PLATE	DIM. "C" NFHD BRACKET
85°	86° - 96°	5-3/4" [146]	9-5/8" [244]	10-1/2" [267]
90°	91° - 101°	4-7/8" [124]	8-3/4" [222]	9-5/8" [244]
100°	101° - 111°	3-5/8" [92]	7-1/2" [190]	8-3/8" [213]
110°	111° - 121°	2-1/2" [64]	6-3/8" [162]	7-1/4" [184]

DOOR CLOSER MODELS: 8916 & 8956 SDST
 SPRING DOOR SAVER (PARALLEL ARM INSTALLATION) WITH DROP PLATE DP89
 FOR USE WITH STANDARD SPACER BLOCK
 FOR USE WITH STANDARD NFHD BRACKET



DORMA Architectural Hardware
 Reamstown, PA 17567