

TS 68

Door closer



The ideal low-cost solution for standard doors

With the TS 68, dormakaba has developed a low-cost door closer which can be universally used on all common door types. It is particularly quick and easy to install — and does not require a mounting backplate.

The closer arm's power shoe and changes in templating allow easy selection of closing force to suit various door sizes.

Certified to ISO 9001

Benefits

For the trade

- The low cost solution for standard doors.
- Just one model for all mounting positions.

For the installer/fabricator

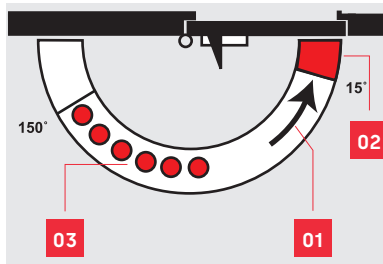
- Non-handed unit.
- Quick and easy to install.
- Fixes perfectly to all door types without the need for a mounting backplate.

For the architect/specifier

- Compact design.
- Inexpensive, proven reliability.

For the user

- Two valves for optimum closing speed and reliable latching action.



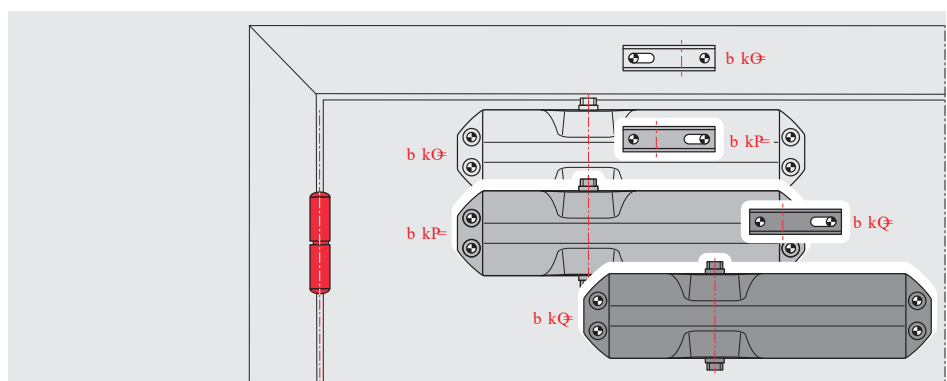
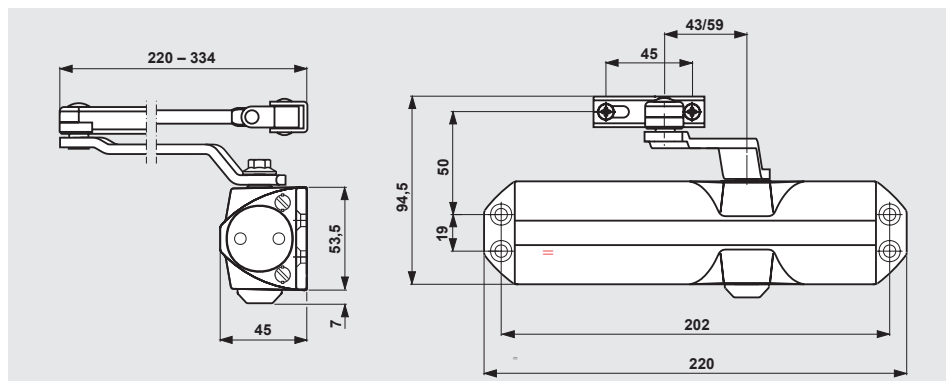
- 01** Adjustable closing speed in the range 180° – 15°.
- 02** Adjustable closing speed in the range 15° – 0°.
- 03** Hold-open range with hold-open arm model (optional extra).

Door width	Size setting
≤ 850 mm	EN 2
≤ 950 mm	EN 3
≤ 1100 mm	EN 4

The TS 68's size setting is selected for the door width by moving the closer body and/or turning the arm power shoe.

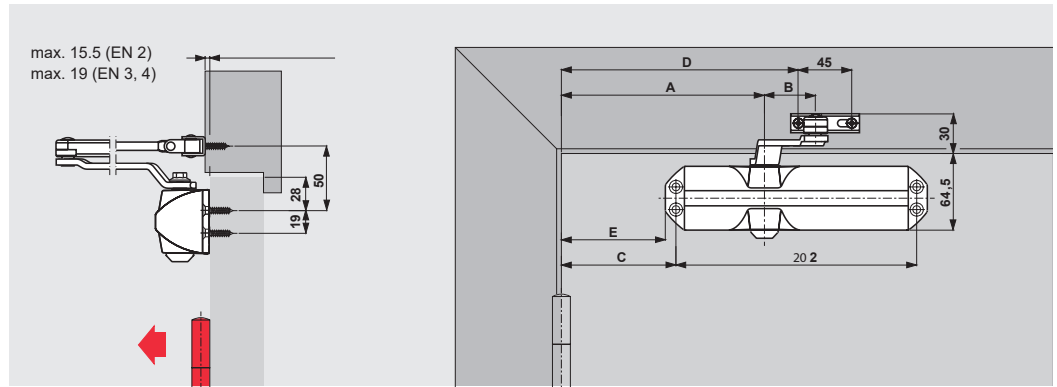
Data and features		TS 68
Selectable closing force (variable via arm power shoe and templating)	Size	EN 2/3/4
Door width	≤ 1100 mm	●
External doors, outward opening		●
Non-handed		●
Arm	Standard	●
	Slide channel	–
Closing speed adjustable via 2 separate valves	180° – 15°	●
	15° – 0°	●
Backcheck		○
Delayed action		–
Hold-open		○
Weight in kg		1.4
Dimensions in mm	Length	220
	Overall	45
	Depth	43.5
	Height	
Approved to AS1905 Part 1 Fire Resistant Doors (Backcheck model only)		●

● yes – no ○ option



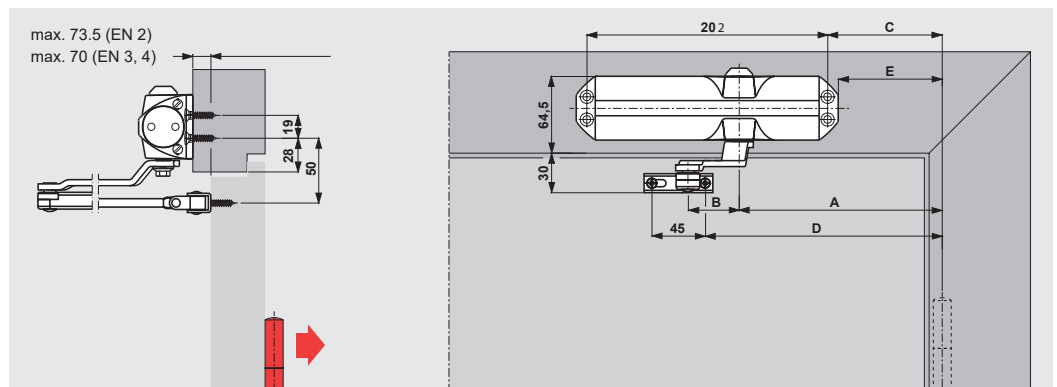
Door leaf fixing, pull-side

	EN 2	EN 3	EN 4
A	170	170	250
B	59	43	43
C	96	96	176
D	198.5	198.5	278.5
E	87	87	167



Frame fixing, push side

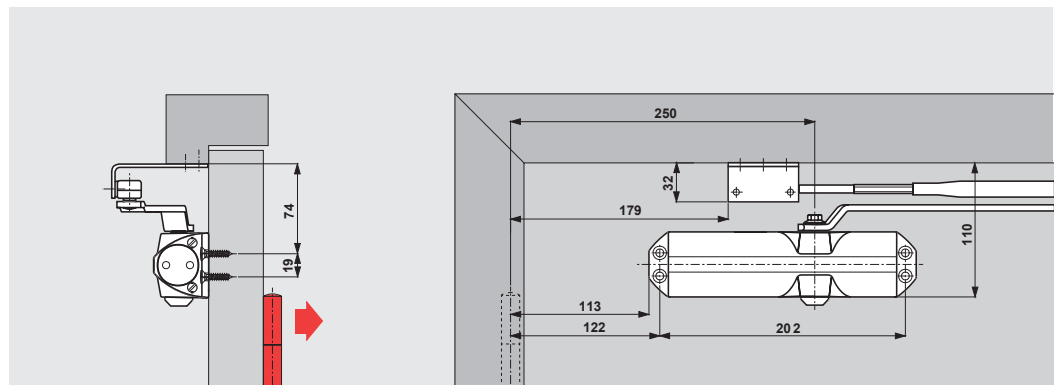
	EN 2	EN 3	EN 4
A	170	170	250
B	59	43	43
C	96	96	176
D	198.5	198.5	278.5
E	87	87	167



Parallel arm fixing push side

EN 2

(door width max. 850 mm)



Standard equipment

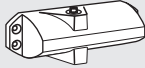


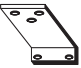
Order No.

■ = Closer body and arm

△ = Accessory

Colour

Silver **01**
 Brass **02**
 Dark brown **03**
 White **11**

Closer body TS 68	Standard arm	Hold-open arm	Parallel arm bracket
			
Size EN 2 / 3 / 4	■ 664105xxBC	■ 664008xx	△ 660005xx
	■ 664005xxNBC		

Specification text TS68 EN 2/3/4

Rack and pinion door closer with selectable closing force, size EN 2, 3 and 4 and adjustable closing speed in two independent ranges. Non-handed.



Door
Hardware



Electronic
Access & Data



Mechanical
Key Systems



Lodging
Systems



Entrance
Systems



Interior Glass
Systems



Safe
Locks



Service

Our Sustainability Commitment

Our sustainability commitment We are committed to fostering a sustainable development along our entire value chain in line with our economic, environmental and social responsibilities toward current and future generations. We seek an open, transparent dialogue with all stakeholders to define strategies and actions based on clear targets and continuous improvement, and we actively report on our progress.

DHW_TS 68 Door Closer Brochure_OCT 2023 DHW00042.
Subject to change without notice

**dormakaba New Zealand
Head Office**
Building P, 61-69 Patiki Road
Avondale, Auckland 1026

T: 0800 436 762
info.nz@dormakaba.com
dormakaba.co.nz

**dormakaba Australia
Head Office**
12-13 Dansu Court
Hallam VIC 3803

T: 1800 675 411i
nfo.au@dormakaba.com
dormakaba.com.au