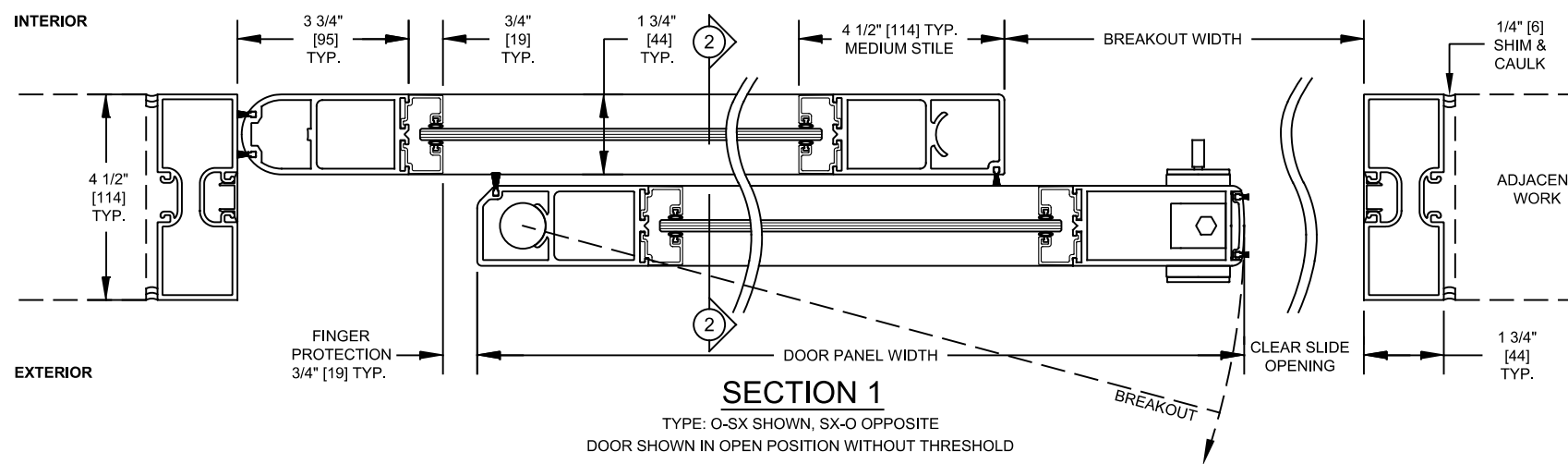


EXTERIOR ELEVATION

TYPE: O-SX, SX-O



SECTION 1

TYPE: O-SX SHOWN, SX-O OPPOSITE
DOOR SHOWN IN OPEN POSITION WITHOUT THRESHOLD

| Package Width | Rough Opening Width | Clear Slide Opening | Door Panel Width | Breakout Width |
|---------------------|---------------------------|-------------------------------------|---------------------------------|--------------------------------------|
| (7'-0") 84" [2134] | 84 1/2" [2146] | 32 11/16" [830] | 42 3/8" [1076] | 38 1/16" [967] |
| (8'-0") 96" [2438] | 96 1/2" [2451] | 38 11/16" [982] | 48 3/8" [1229] | 44 1/16" [1119] |
| (9'-0") 108" [2743] | 108 1/2" [2756] | 44 11/16" [1135] | 54 3/8" [1381] | 50 1/16" [1272] |
| Width Formulas | Package Width + 1/2" [13] | (Package Width / 2) - 9 5/16" [237] | (Package Width / 2) + 3/8" [10] | (Package Width / 2) - 3 15/16" [100] |

- This Standard Single door package consists of:
 - Operator:
 - Two combination motion/presence sensors (one on each side) (See sensor options page).
 - ESA II motor drive unit with self-learning and self-monitoring microprocessor controller.
 - Jamb mounted 5 function rocker switch panel (see mode switch options page).
 - Panels:
 - 4 1/2" [114] Medium stile door panels (including 3/4" [19] wide glass stop).
 - 5-1/2" [140] Optional muntin mounted at 41-3/4" [1060] centerline on all panels (including 3/4" [19] wide glass stop).
 - Recessed exit device mounted on SX panel muntin.
 - 4" [102] Bottom rails (including 3/4" [19] wide glass stop).
 - 1 3/4" [44] x 4 1/2" [114] Double pocket jambs.
 - Vertical and horizontal brush type weather stripping (AAMA-701-11Class A).
 - Manual two point mortise lock with thumb turn and key cylinder.
 - 3/4" [19] wide snap-in glass stops for glazing from 1/4" [6] to 1 1/4" [32] thick at 1/8" [3] increments.
 - 3 1/4" [83] x 1/8" [3] Beveled ADA Compliant Threshold.
 - ITS Hydraulic self-closer in SX panels.
 - Breakaway sliding door panels (SX) and fixed sidelights (O) panels.
 - Finishes:
 - Clear anodized (BHMA 204).
 - Dark Bronze anodized (BHMA 313).
- Optional Transom:
 - Single vertical 1 3/4" [44] x 4 1/2" [114] double pocket mullion (Standard). Multiple verticals available.
 - Glass thickness options 1/4" [6] thru 1-1/4" [32] at 1/8" [3] increments.
 - 1/4" [6] Glass uses pocketed tubes and pressed in-glazing, top and sides.
 - Other glass thickness use snap-in sash on all sides.
- Typical Package Options:
 - Finishes: special anodized, PVDF (wet) paint, powder coat, and cladding available for header, panels and jambs.
 - Muntins: multiple muntins, various heights and locations.
 - Bottom Rails: 7" [178], 10" [254]. Other options available.
 - Santoprene rubber weather stripping available.
 - Locking and Security Options:
 - Bi-stable autolock sliding carrier lock concealed in header.
 - 3-point lock and reinforced strike.
 - Security contacts.
 - Keyed mode switch panel (5 function or 3 function) (see mode switch options page).
 - Recessed exit device in 5 1/2" [140] in SX muntin.
 - Jambs: 1 3/4" [44] x 4 1/2" [114] and 2" [51] x 6" [152] smooth available.
- Dimensions:
 - Drawing dimensions are in English & Metric units. Metric units are displayed as: 1" [25] millimeters.
 - Typical package dimensions: (Glass thickness may be limited by panel size)
 - Each door package is manufactured to your custom size requirements.
 - Package Width: Min. 7' [2134] to Max. 9' [2743].
 - Header Height: Min. 7'-4 1/2" Max. 10' [3048].
 - Package Height: Max. 12' [3658] with Transom.
 - SX Panel Weight: Max. Weight 200 lbs [90kg].
 - Maximum special application limits / custom packages: (Sizes may be restricted due to complexity and application) (Please contact dormakaba Architectural Services for dimensions **outside of typical sizes above**)
 - Package Width: Min. 7' [2134] to Max. 9'-6" [2896].
 - Package Height: Max. 14' [4267].
 - Header Height: Max. 12' [3658].
 - Transom Height: Min. 8" [203] to Max. 2' [610].
 - SX Panel Width: Max. Width 56" [1422].
 - SX Panel Size Limit = (SX Panel Width x Weight) < 800 ft-lbs [1084 N-m] Max.
- Power Requirements:
 - 120V +/- 10%, 50/60 Hz, 6.6A peak, 250 W. Up to 4 operators on a single 20A breaker. Service to header by electrician.
- Standards of Compliance:
 - UL 325 & CSA 22.2 (listed with ETL).
 - Designed to comply with these standards depending on installation and application:
 - International Building Code (Section 1008).
 - ANSI/ BHMA 156.10.
 - ANSI/ BHMA 156.38.
 - NFPA 101 Life Safety Code (Section 7.2.1.9).
 - Refer to Local, State, National or AHJ. Building Code for minimum door height and minimum/maximum width allowable for egress requirements.
 - Minimum ADA is 32" clear slide opening.
- Contact dormakaba Architectural Services for more information:
 - Phone: 1-844-SPEC-NOW (1-844-773-2669)