

BTS75V

Floor-Concealed Door Closers

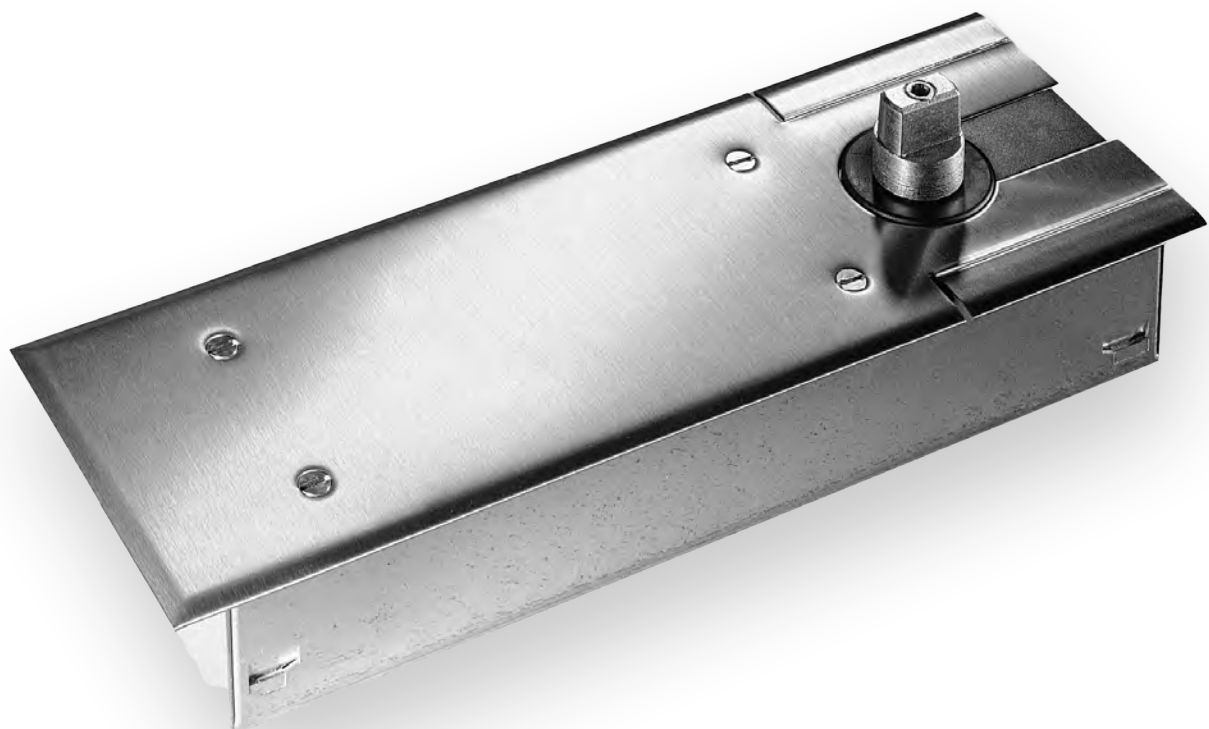


Table of contents

Floor-Concealed Closer

- 3 Technical Details/Specifications
- 5 Ordering Guide
- 6 Applications
- 7 Spindles



dormakabakaba USA quality and environmental management systems in Indianapolis, IN are certified to ISO 9001:2015 and ISO 14001:2015.

BTS75V Series

Dependable and versatile floor-concealed closers for almost any installation.

The BTS75V Closer's compact body permits its use where a larger closer would be prohibitive. Versatility allows installation in thin slab concrete subfloor construction. A wide selection of interchangeable spindles makes the BTS75V suitable for virtually any floor covering or threshold application. Adjustable spring power from size 1-4 allows the necessary adjustment required for both barrier-free and non-barrierfree openings, giving ultimate installation flexibility. Trouble-free performance under adverse climatic and traffic conditions makes the BTS75V floor-concealed closer dependable and a perfect choice for even the most rigorous applications. For total control and uncompromising creativity for any door opening, specify a BTS75V floor-concealed closer.

Technical Details

- Adjustable spring size 1-4.
- Can be installed and adjusted to meet 8.5 lb maximum opening force requirements for exterior doors.
- Compact closer body and cement case 2" deep suited for thin slab concrete construction.
- Closer body is non-handed.
- Accommodates doors weighing up to 260 lb and measuring up to 3'-6" wide interior and 3'-0" exterior.
- Mechanical backcheck at approximately 70°.
- Dual thermostatic control valves combined with special hydraulic fluid provide controlled closing from 175°.
- Optional single point hold open units available for 90° or 105°.
- A secondary regulation system protects closer from damage caused by forced closing.

- Closer adjustment in cement case provides 3/8" lateral, 1/4" longitudinal, and 5/32" height adjustment.
- Optional sealing compound SC2 prevents water or cleaning solvent from entering the cement case.
- Optional accessory bracket available to convert a BTS75 cement case to accept a BTS75V.

Certifications

- UL and CUL listed under their continuing reinspection programs.
- The BTS75V BF meets the opening force requirements of ANSI/BHMA A117.1 for barrier-free interior and exterior doors.



Specifications

All floor-concealed door closers shall be BTS75V Series employing a cam and roller mechanism. The closers shall be capable of controlling doors weighing up to 260 lb and measuring up to 3'-6" for interior doors and 3'-0" wide for exterior doors. The closers will have mechanical backcheck at approximately 70°. Dual valve adjustment will provide controlled closing speed from 175°-15° (sweep range) and 15°-0° (latch range), even in cold temperature conditions. The closer mechanism will provide adjustment within the cement case to allow 3/8" lateral, 1/4" longitudinal, and 5/32" vertical height adjustment. Field interchangeable spindles will

Door Ranges

Door Width	
Interior	Exterior
2'-0"–3'-6"	2'-0"–3'-0"
Maximum door widths shown below are for average conditions. If there are unusual site conditions, e.g. high or exceptionally heavy doors or wind pressure, the door width should be reduced.	NOTE: Although BTS75V and BTS75V BF Series closers have adjustable spring power to compensate for site conditions, it can not be guaranteed that adequate control will be obtained while complying with interior or exterior barrier-free opening force restrictions.

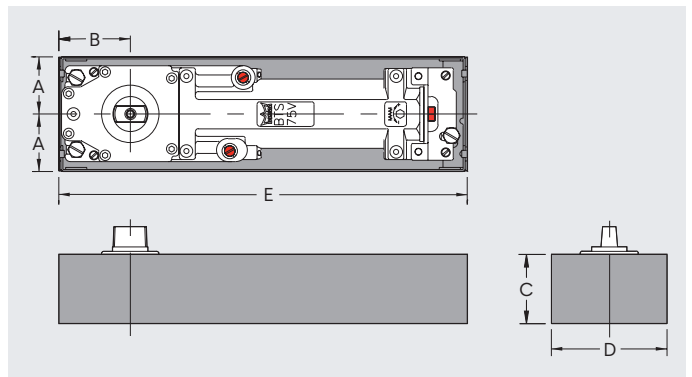
	A	B	C	D	E
Interior	1-7/16–1-13/16	2–2-1/4	2	3-1/4	11-1/4
Millimeters	36–46	51–57	51	82	285

BTS75V NHO / BTS75V BF NHO

- Non-hold open unit is U.L. listed for use with fire rated doors when door swing is limited to 175° with an auxiliary stop.

BTS75V BF

- Opening force 5 lb or less on interior doors/8.5 lb or less on exterior doors where door without closer attached is 1 lb opening force or less.
- Mechanical backcheck eliminated to meet the barrier-free opening force requirement through 90° of opening.
- Selectable delayed action between 175° and 70°.
- All other details are the same as the BTS75V.



be available to provide bottom door clearances ranging from 5/16" to 2-5/16".

Optional Specifications

Floor-concealed door closers for all interior and exterior barrier-free openings shall be DORMA BTS75V BF. The closers shall be capable of maintaining a maximum opening force of 5 lb through 90° of door swing on barrier free interior doors and 8.5 lb on exterior barrier-free doors 3'-0" wide. The closers will have selectable delayed action standard without

backcheck. The closers should be used with sealing compound SC2 to prevent water or cleaning solvent from entering the cement case.

Finishes

Optional Plated Finishes

- Brass: 605 (Bright) or 606 (Satin)
- Bronze: 611 (Bright), 612 (Satin), or 613 (Oxidized Satin Oil Rubbed)
- Nickel: 618 (Bright) or 619 (Satin)
- Chrome: 625 (Bright) or 626 (Satin)

Standard Sprayed Finishes

- Aluminum: 689
- Bronze: 691 (Dull), 690 (Statuary), or 695 (Dark Duranodic)
- Gold: 696
- Black: 693

Optional Custom Color or Designer Color Finishes

Contact Customer Service.

Reduced Opening Force Installations Caution

Manual door closers, including closers certified to conform to ANSI/BHMA Standard A156.4, when installed and

adjusted to conform to ADA or other reduced opening force requirements, may not provide sufficient power to reliably close and latch a door.

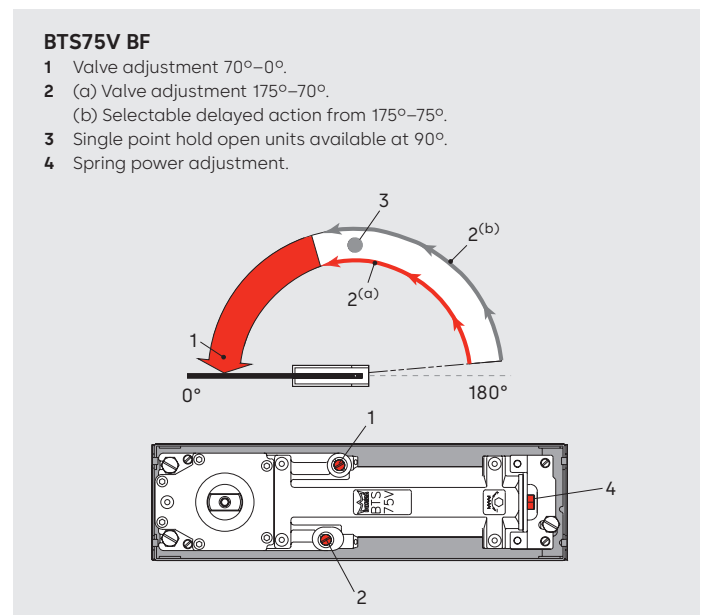
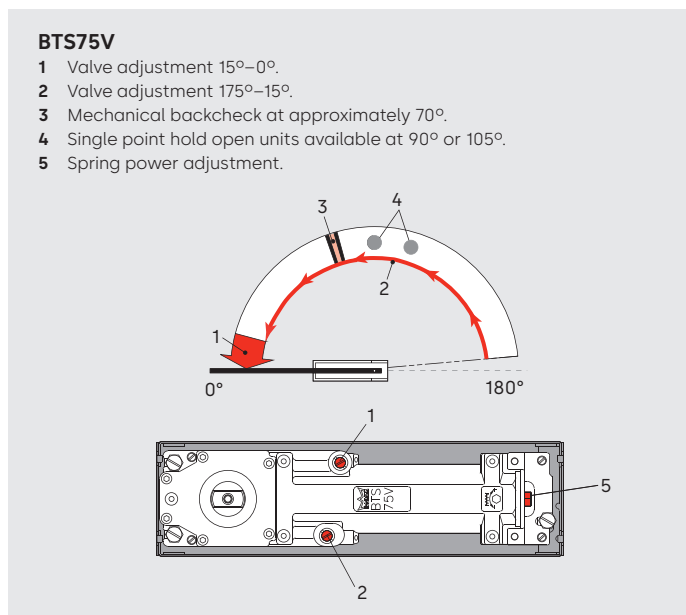
Refer to catalog for information on Low Energy Operators to meet reduced opening force requirements without affecting closing power.

Warranty

For details, refer to **Limited Warranty** on our website at go.dormakaba.com/Terms-DA

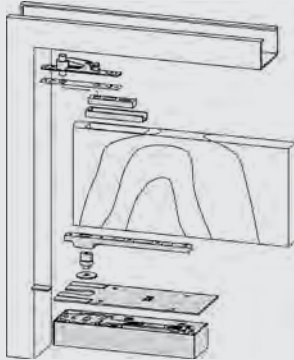
Features	BTS75V	BTS75V BF
Adjustable spring sizes	1-4	1-4
Non-handed unit suitable for both single and double-acting doors	●	●
Controlled closing with two independent valves	175°-15°/15°-0°	175°-70°/70°-0°
Mechanical backcheck	●	-
Delayed action	-	●
Single point hold open available at 90°	○	○
Single point hold open available at 105°	○	-

● yes – no ○ option



NOTE: If door hardware or adjacent structures interfere with maximum opening, an auxiliary stop is required.

How to order BTS75V Series



Spindle	
1-1/2" Pre-Loaded Spindle	80030
1-5/16" Pre-Loaded Spindle	80025
1-1/8" Pre-Loaded Spindle	80020
7/8" Pre-Loaded Spindle	80015
3/4" Pre-Loaded Spindle	80010
1/2" Pre-Loaded Spindle	80005
5/16" Pre-Loaded Spindle	80003
2-5/16" Spindle	74050
2-1/16" Spindle	74045
1-7/8" Spindle	74040
1-11/16" Spindle	74035
1-1/2" Spindle	74030
1-5/16" Spindle	74025
1-1/8" Spindle	74020

Hold Open	
150° Hold Open (BF Not Available)	105
90° Hold Open	90
Non-Hold Open	NHO

Optional Accessories (multiple options can be ordered)	
E80624	Through Wire CH Top Pivot (4 wire)
E80622	Through Wire CH Top Pivot (2 wire)
HD8062	Heavy Duty CH Top Pivot
75200	Through Wire Intermediate Pivot for 3/4" Offset
15233	20 min Intermediate Pivot for 1-1/2" Offset
15222	3 h Intermediate Pivot for 1-1/2" Offset
15220	20 min Intermediate Pivot for 3/4" Offset
75233	3 h Intermediate Pivot for 3/4" Offset
75222	7/8" Spindle
75220	13/16" Spindle
75220	3/4" Spindle
SC2	5/8" Spindle
TP75 CH	1/2" Spindle
TP75	5/16" Spindle
75220	Intermediate Pivot for 3/4" Offset
LBX	Less Cement Box
LFP	Less Floor Plate
LTP	Less Top Pivot

Series	Spring Size	Hand	Fastener Packs	Deducts
BTS75V	Std. (No Need to Specify Size 1-4, No Delay)	LH (Specify for Left Handed Units)	AMS (All Metal Screws)	LBX (Less Cement Box)
D	BF (Size 1-4, No Backcheck)	RH (Specify for Right Handed Units)	W2 (All Wood Screws)	LFP (Less Floor Plate)
A	C-E (1-1/2" Offset, Handed)		W1 (1/2 Wood Screws)	LTP (Less Top Pivot)
B	C-F (1-1/2" Offset, 20 min Rated Handed)		AMSAWS (All Metal Screws All Wood Screws)	
C	D (3/4" Offset, Handed)			
C-E	E (3/4" Offset, 20 min Rated Handed)			
C-F	F (3/4" Offset, 3 h Rated Handed)			
D	G (CH Single Acting, Aluminum Door and Frame)			
E	H (CH Single Acting, Wood or Steel Door and Frame)			
F	I (Independent Hung, Non-Handed)			
G	IF (Independent Hung, Up to 3 h Rated, Non-Handed)			
H	P (Independent Hung On Pocket Pivots, Non-Handed)			
I	PF (Independent Hung On Pocket Pivots, Up to 3 h Rated, Non-Handed)			
IF				
P				
PF				

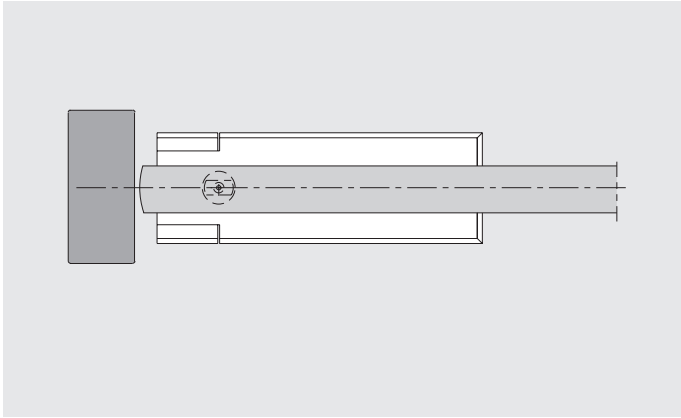
Package	Fastener Packs	Painted	Plated
NHO	AMS (All Metal Screws)	600 (Primed)	
74010	W2 (All Wood Screws)	689 (Aluminum)	
RH	W1 (1/2 Wood Screws)	690 (Statuary Bronze)	
AMS	AMSAWS (All Metal Screws All Wood Screws)	691 (Dull Bronze)	
		693 (Black)	
		695 (Dark Duranodic Bronze)	
		696 (Gold)	
		PNT (Special Sprayed Finish (must specify))	
		Bright Brass	605
		Satin Brass	606
		Bright Bronze	611
		Satin Bronze	612
		Oxidized Satin Oil Rubbed	613
		Bright Nickel	618
		Satin Nickel	619
		Bright Chrome	625
		Satin Chrome	626

NOTE: All combinations of features and options are not available for all models.

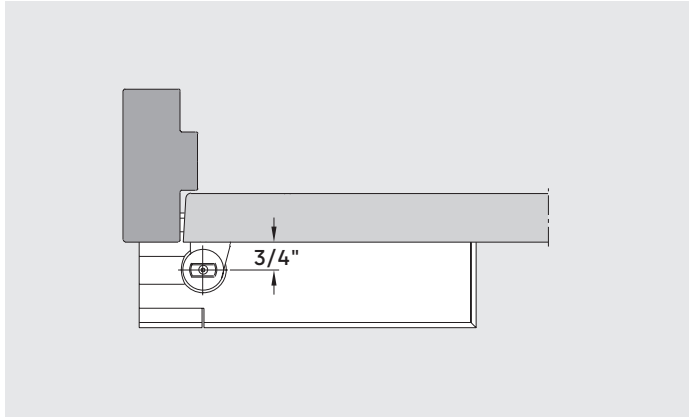
Applications

Accessory packages for the following applications are designated with an alpha suffix — "A" or "B," for example. For application details and accessory illustrations, see **BTS Applications and Accessories** brochure.

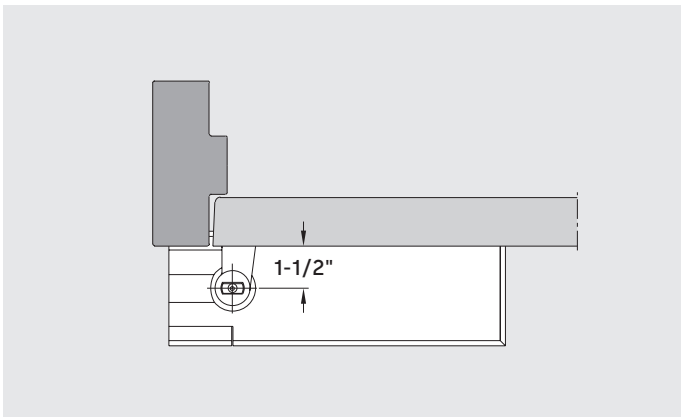
Center Hung Packages (A, B, G, H)



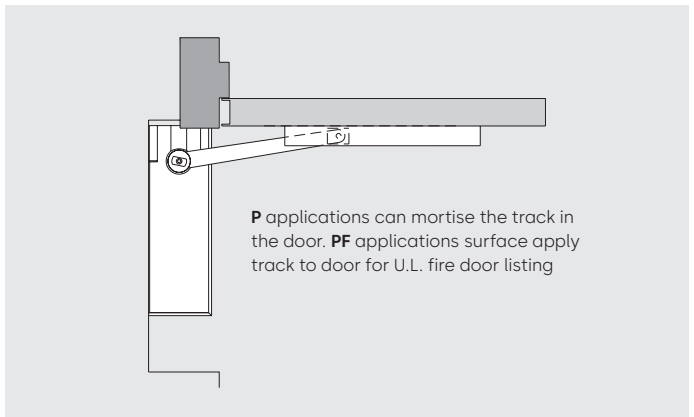
3/4" Offset Packages (D, E, F)



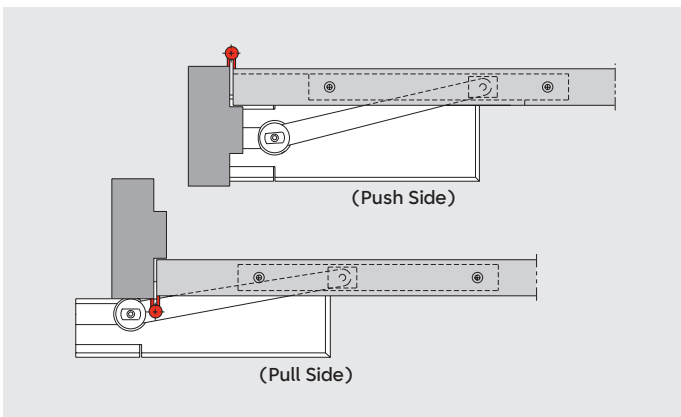
1-1/2" Offset Packages (C, C-E, C-F)



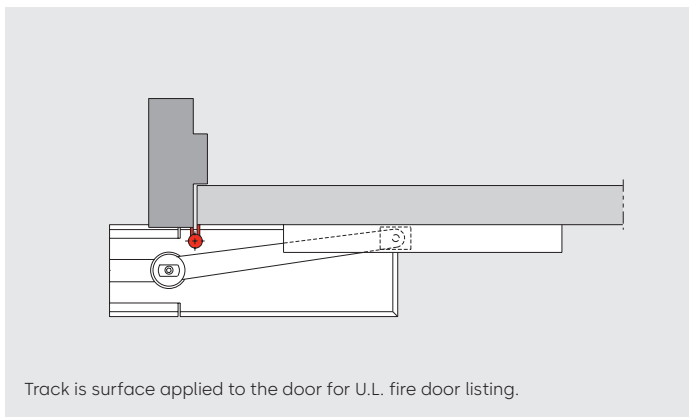
Pocket Door Packages (P) / Pocket Fire Door Packages (PF)



Independent Hung Packages (I)



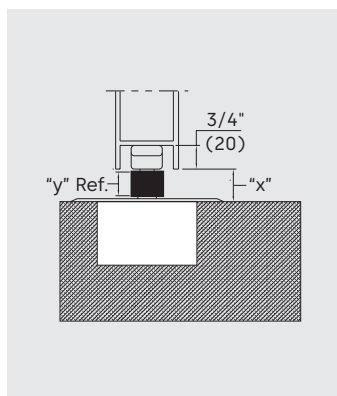
Independent Hung Fire Door Packages (IF)



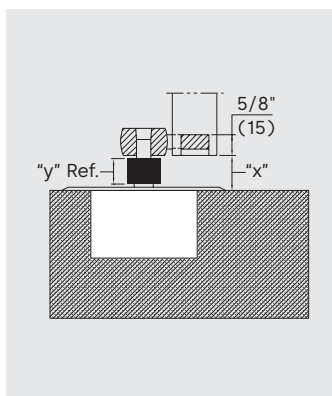
Spindles

Spindle #	Dimension "x" (Door Clearance)	3° Pre-load Spindle #	Dimension "y"
74003	5/16"	80003	1/8"
74005	1/2"	80005	5/16"
74007	5/8"	—	7/16"
(STD) 74010	3/4"	80010	1/2"
74012	13/16"	—	5/8"
74015	7/8"	80015	11/16"
74020	1-1/8"	80020	7/8"
74025	1-5/16"	80025	1"
74030	1-1/2"	80030	1-5/16"
74035	1-11/16"	—	1-1/2"
74040	1-7/8"	—	1-11/16"
74045	2-1/16"	—	1-7/8"
74050	2-5/16"	—	2-1/16"

Center Hung Applications



Offset Hung Applications



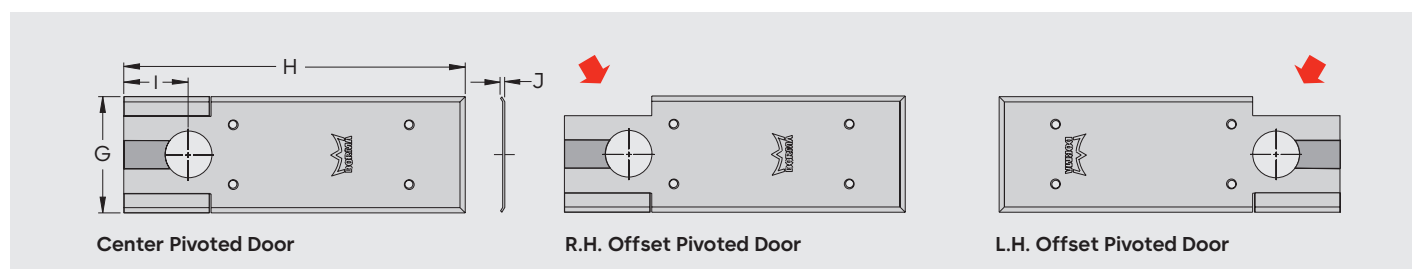
Pre-load Spindles

Spindles are available with a 3° pre-load for additional pressure to hold door in the closed position. Normally, this is only necessary for centerpivoted single acting applications. However, they can also be used with other applications to compensate for templating errors. Specify hand of pre-load spindle when ordering.

Extended Spindle Insert

Closers with extended spindle inserts are used with thresholds, carpeted floors, or terrazzo pans, or in cases where more clearance between door and floor is required. All spindles are zinc plated.

NOTE: Closer and arm must be installed per template for door clearances shown to be valid.



Cover Plate

Universal cover plate 7510, suitable for left hand/right hand, 3/4" offset, 1-1/2" offset, and center pivoted doors.

Material is stainless steel or brass depending on the plated finish specified.

	G	H	I	J
Interior	4-1/8	12-1/8	2-9/32	3/32
Millimeters	105	308	58	2

Our Sustainability Commitment

We are committed to foster a sustainable development along our entire value chain in line with our economic, environmental and social responsibilities toward current and future generations. Sustainability at product level is an important, future-oriented approach in the field of construction. In order to give quantified disclosures of a product's environmental impact through its entire life cycle, dormakaba provides Environmental Product Declarations (EPD), based on holistic life cycle assessments.

www.dormakaba.com/sustainability

KAA1636, EN, 09/2023
Subject to change without notice

dormakabakaba Canada Inc.
7301 Decarie Blvd
Montreal, QC H4P 2G7
Tel: 1.888.539.7226

dormakaba USA, Inc.
6161 E. 75th St.
Indianapolis, IN 46250
800.523.8483
www.dormakaba.us

