

MUTO Premium and Comfort Manual sliding door system

04.2024



MUTO Premium and Comfort

Manual sliding door system

MUTO Premium & Comfort

- 03 Majoring in convenience
- 04 Model comparison guide
- 06 Installation types
- 07 Installation made easy
- 09 TLG compatibility
- 10 MUTO ceiling (CE-R) recessed mount applications

Premium systems XL 150 DM / XL 150 / XL 80 DM

- 11 Typical assemblies
- 19 Sliding door sets

XL 120 Self-Closing (SC)

- 23 Typical assemblies
- 31 Sliding door sets

XL 80 Telescopic (TEL)

- 35 Features and applications
- 36 Installing moving floor guide
- 37 Panel sizing chart
- 38 Typical assemblies
- 43 Sliding door sets

Comfort systems L 80 DORMOTION (DM) / L 80

- 51 Typical assemblies
- 59 Sliding door sets

Component parts

- 62 Roller accessory kits
Gasket sets
- 63 Track and cover extrusions – XL 150/80 Systems
- 64 Track and cover extrusions – XL 120 Systems
- 65 Track and cover extrusions – L 80 Systems
Cover clips
- 66 Wood adapter sets
Wood door floor guide
- 67 Endcaps
- 68 DORMOTION (DM) accessories and start/stop kits
- 69 Synchro accessories
Self-Closing (SC) accessories
Brush profiles
- 70 Brush seal carrier
Brush seals for XL 80 TEL
- 71 Endstops
Bumper sets
Holder hook sets
- 72 Sidelite (fixed panel) extrusions and accessories
- 74 Recessed mount (CE-R) accessories
Status indicator
- 75 Tempered laminated glass (TLG) accessories
Installation accessories

Majoring in convenience

User-friendly models and options, individually configurable systems

Extraordinary convenience housed in a slim profile

The MUTO system impresses by virtue of its compact elegance and extensive functionality, creating a sliding door system with enhanced user-friendliness.

Even tailored solutions come easily

The fully integrated MUTO offers a choice of models and optional functions, all controlled by mechanisms housed out of sight behind the compact header. The XL 120 Self-Closing model offers the convenience of power-free self-closing, including DORMOTION at end of closing cycle and DORMOTION as an option in opening cycle (add option DMSC).

Optional convenience feature

A convenient option is the MUTO status indicator, which allows the door position to be monitored from anywhere in the building.

Glass, wood, or metal applications

MUTO is particularly suitable for glass applications, but can be adapted for wood, metal, or other door material solutions.

ADA compatibility

MUTO systems are ADA compatible with or without DORMOTION (DM), except for XL 120 SC. Note that, as with traditional swing doors, the force required to disengage from the DM latch and set the door in motion is not included in the measurement when meeting the required 5 lb opening force.

Self-closing – hassle-free



The MUTO Premium XL 120 Self-Closing model automatically closes the door once it has been opened; the quiet action operates without a power supply – an enhancement to any interior.

DORMOTION – the elegant Softclose® damping mechanism



The epitome of elegant convenience, the optional DORMOTION function gently decelerates the door panel over the last few inches, taking it automatically and quietly to its end opened or closed position.

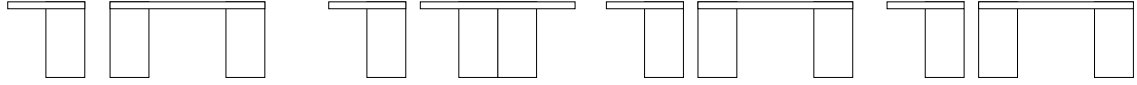
Status indicator – everything under control



The optional status indicator ensures that the sliding door can be monitored with remarkable ease. As soon as the door opens or closes, a status signal is transmitted to the building management system or an indicator lamp – an important benefit in buildings requiring professional facility management capability.

Model comparison guide

Note: All measurements are shown in inches (mm) – example: 3/8" (10).



Description	MUTO Premium XL 150 DORMOTION (DM)	MUTO Premium XL 150	MUTO Premium XL 80 DORMOTION (DM)	MUTO Premium XL 120 Self-Closing ³
Track dimensions (less cover)	w = 2-3/4" (70) h = 2-23/32" (69)	w = 2-3/4" (70) h = 2-23/32" (69)	w = 2-3/4" (70) h = 2-23/32" (69)	w = 3-7/8" (98) h = 2-23/32" (69)
Track dimensions + cover profile ¹	w = 2-27/32" (72) h = 2-23/32" (69)	w = 2-27/32" (72) h = 2-23/32" (69)	w = 2-27/32" (72) h = 2-23/32" (69)	w = 3-15/16" (100) h = 2-23/32" (69)
Track dimensions + optional sidelite extrusion + cover ²	w = 3-19/32" (91)	w = 3-19/32" (91)	w = 3-19/32" (91)	w = 4-11/16" (119)

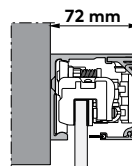
Description	MUTO Premium XL 150 DORMOTION (DM)	MUTO Premium XL 150	MUTO Premium XL 80 DORMOTION (DM)	MUTO Premium XL 120 Self-Closing ³
Glass thickness	5/16"–9/16" (8–13.5)	5/16"–9/16" (8–13.5)	5/16"–9/16" (8–13.5)	5/16"–9/16" (8–13.5)
Max wood door thickness	1-31/32" (50)	1-31/32" (50)	1-31/32" (50)	1-31/32" (50)
Door height	≤ 118" (3 m)	≤ 118" (3 m)	≤ 118" (3 m)	≤ 118" (3 m)
Min door width (glass or wood)	26" (660)	26" (660)	26" (660)	34" (864)
Max glass door width	57" (1448)	57" (1448)	57" (1448)	57" (1448)
Max wood door width	60" (1524)	60" (1524)	60" (1524)	60" (1524)
Door height adjustment	+/- 3/16" (+/- 5)	+/- 3/16" (+/- 5)	+/- 3/16" (+/- 5)	+/- 3/16" (+/- 5)
Max door weight/one door	330 lb (150 kg)	330 lb (150 kg)	176 lb (80 kg)	264 lb (120 kg)
Max door weight/two doors	2 × 330 lb (150 kg)	2 × 330 lb (150 kg)	2 × 176 lb (80 kg)	2 × 264 lb (120 kg)
Clearance between door & wall (glass)	25/32" (20)	25/32" (20)	25/32" (20)	25/32" (20)
Clearance between door & wall (wood)	9/32" (7)	9/32" (7)	9/32" (7)	9/32" (7)
Mounting options	Wall, ceiling (surface or recessed), or glass transom/fixd panel	Wall, ceiling (surface or recessed), or glass transom/fixd panel	Wall, ceiling (surface or recessed), or glass transom/fixd panel	Wall, ceiling (surface or recessed), or glass transom/fixd panel
25% faster installation	●	●	●	—
Wood door kit available	○	○	○	○
Tempered Laminated Glass (TLG) kit available	○	○	○	○

Functions	MUTO Premium XL 150 DORMOTION (DM)	MUTO Premium XL 150	MUTO Premium XL 80 DORMOTION (DM)	MUTO Premium XL 120 Self-Closing ³
DORMOTION	● Std	○	● Std	● Closing cycle std ³ ○ Opening cycle optional (DMSC)
Synchro (synchronized opening and closing of pairs)	—	○	—	—
Status indicator	○	○	○	○
Self-closing	—	—	—	● Std

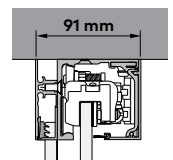
● yes — no ○ optional

Note: Dimensions are in inches, with millimeters as the benchmark.

¹Track dimensions + cover profile

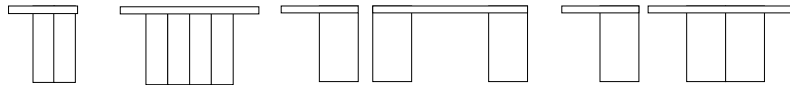


²Track dimensions + optional sidelite extrusion + cover



MUTO Premium XL 80 Telescopic – min and max door widths for glass and wood doors

	WITHOUT HANDLE		WITH HANDLE ⁶	
Min door width	31-3/32" (790)	with DORMOTION	33-21/32" (855)	with DORMOTION
	23-5/8" (600)	without DORMOTION	26-3/16" (665)	without DORMOTION
Max door width	Fast door	Slow door	Fast door	Slow door
	47-1/4" (1200)	44-11/16" (1135)	49-13/16" (1265)	44-11/16" (1135)



150 Satin Aluminum



113 Similar to Satin Stainless

Description	MUTO Premium XL 80 Telescopic ^{3 4 5}	MUTO Comfort L 80 DORMOTION (DM)	MUTO Comfort L 80
Track dimensions (less cover)	w = 4-15/16" (125) h = 2-23/32" (69)	w = 2-23/32" (69) h = 2-9/32" (58)	w = 2-23/32" (69) h = 2-9/32" (58)
Track dimensions + cover profile ¹	w = 5" (127) h = 2-23/32" (69)	w = 2-13/16" (71) h = 2-9/32" (58)	w = 2-13/16" (71) h = 2-9/32" (58)
Track dimensions + optional sidelite extrusion + cover ²	w = 5-3/4" (146)	w = 3-9/16" (90)	w = 3-9/16" (90)

Description			
Glass thickness	5/16"–9/16" (8–13.5)	5/16"–9/16" (8–13.5)	5/16"–9/16" (8–13.5)
Max wood door thickness	1-31/32" (50)	1-31/32" (50)	1-31/32" (50)
Door height	≤ 118" (3 m)	≤ 118" (3 m)	≤ 118" (3 m)
Min glass and wood door width	See specifications above for min and max widths for glass and wood doors with and without handles and with and without DORMOTION (DM).	26" (660)	26" (660)
Max glass door width		57" (1448)	57" (1448)
Max wood door width		60" (1524)	60" (1524)
Door height adjustment	+ 3/16" – 1/8" (+ 5 – 3)	+ 3/16"–1/8" (+ 5 – 3)	+ 3/16"–1/8" (+ 5 – 3)
Max door weight/one door	2 × 176 lb (80 kg)	176 lb (80 kg)	176 lb (80 kg)
Max door weight/two doors	4 × 176 lb (80 kg)	2 × 176 lb (80 kg)	2 × 176 lb (80 kg)
Clearance between door & wall (glass)	21/32" (17) ⁴	11/16" (17)	11/16" (17)
Clearance between door & wall (wood)	5/32" (4)	9/32" (7)	9/32" (7)
Mounting options	Wall, ceiling, or glass transom/fixed panel	Wall, ceiling, or glass transom/fixed panel	Wall, ceiling, or glass transom/fixed panel
25% faster installation	—	●	●
Wood door kit available	○	○	○
Tempered Laminated Glass (TLG) kit available	○	○	○

Functions			
DORMOTION	○ ³	● Std	○
Synchro (synchronized opening and closing of pairs)	—	—	○
Status indicator	○	○	○
Self-closing	—	—	—

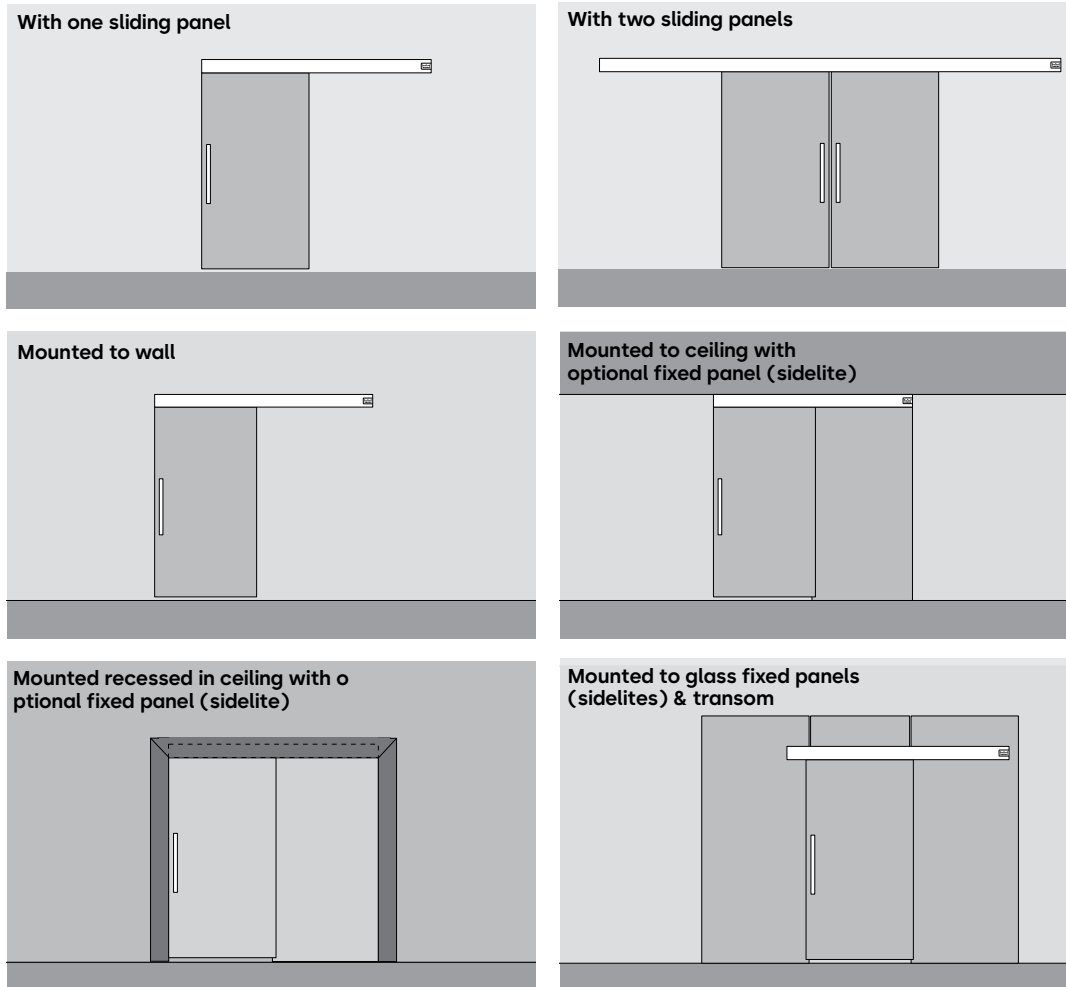
Notes

- 3 XL 120 SC and XL 80 TEL are handed in the direction of the opening cycle. Example: Right hand opens to right when facing the front of the track.
- 4 Gap between fast and slow moving XL 80 TEL glass panels equals: 31/32" (24.5) with 3/8" (10) thick glass and 7/8" (22) for 9/16" (13.5) thick glass
- 5 Total XL 80 TEL system width cannot exceed 236" (6m). Additional charges incurred for units exceeding 118" (3 m).
- 6 Minimum panel size based on nominal handle location 2-1/2" (64) from leading edge of glass.



Installation types

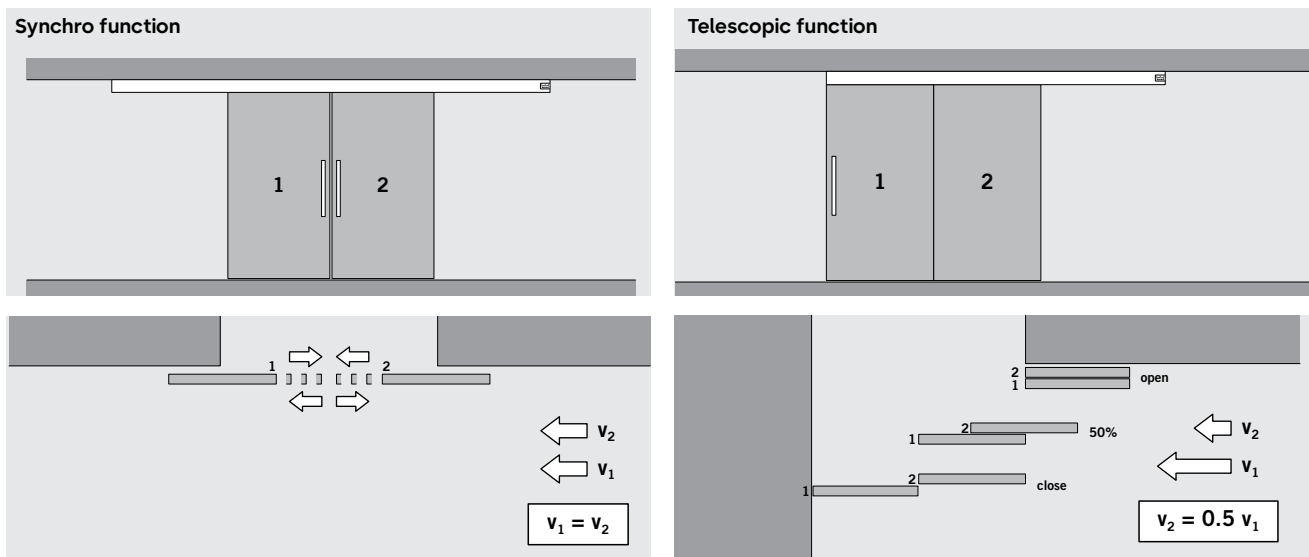
Installations



Disclaimer

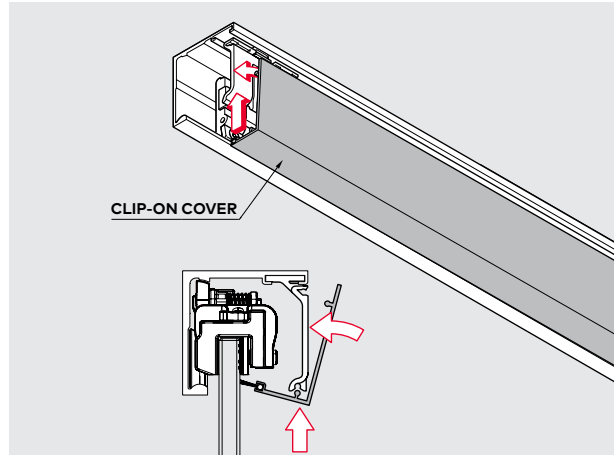
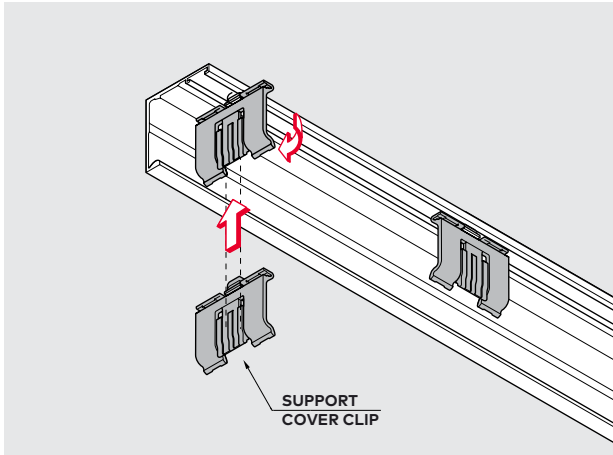
When sizing MUTO door panels, maximum weight capacity is key. When maximizing door panel width, height, or thickness, one or more of the other dimensions (width, height, or thickness) will require reductions to remain at or below the maximum allowable weight capacity of the specific MUTO sliding unit, within industry codes, standards, or specifications, and within door manufacturer recommendations. Actual track, cover, and/or other MUTO extrusion profile inventory lengths are 157-1/2" (4 m) for all Make-To-Order (MTO) units. All extrusion includes clamp marks visible within 1/2" (12) to 1-1/2" (38) from each end of all profiles. Clamp marks need to be cut off in the field for any full length profile shipped, with the exception of CE-R units. Please take into consideration when planning system lengths and list price charges. MTO systems other than CE-R will be fabricated at the factory with a joint at center for systems exceeding 154" (3.9 m), or 157" (4 m) for CE-R and charged accordingly with a per FT. list price add.

Functions

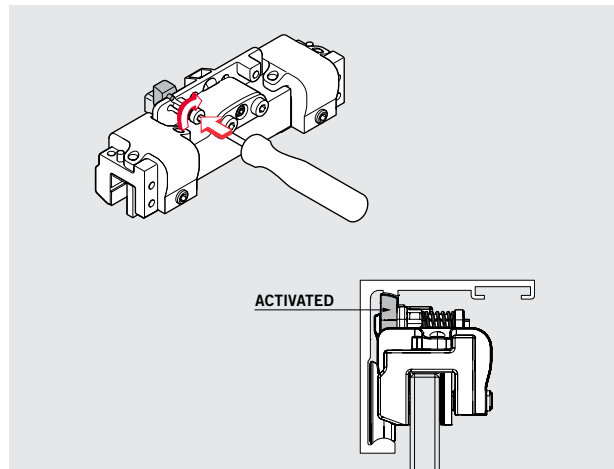
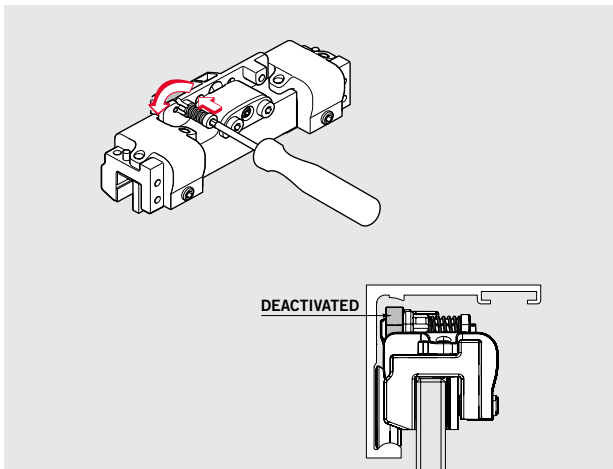


Installation made easy

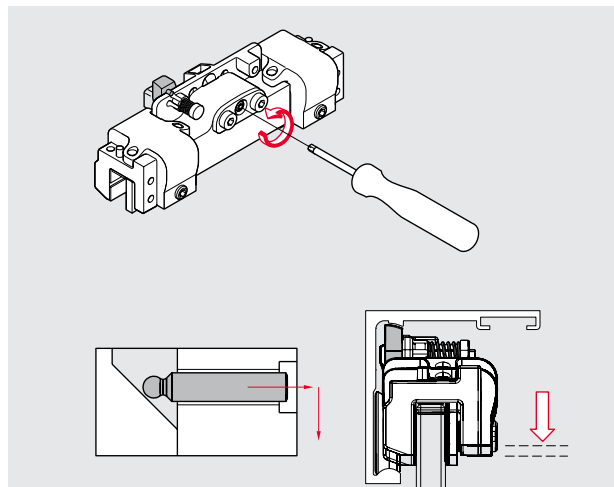
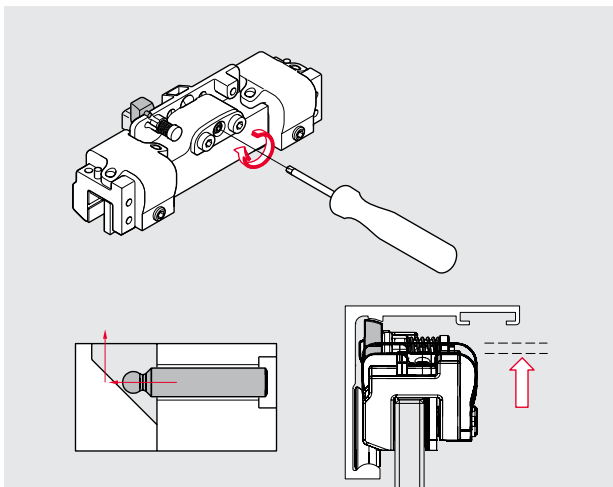
Cover profile



Anti-jump device

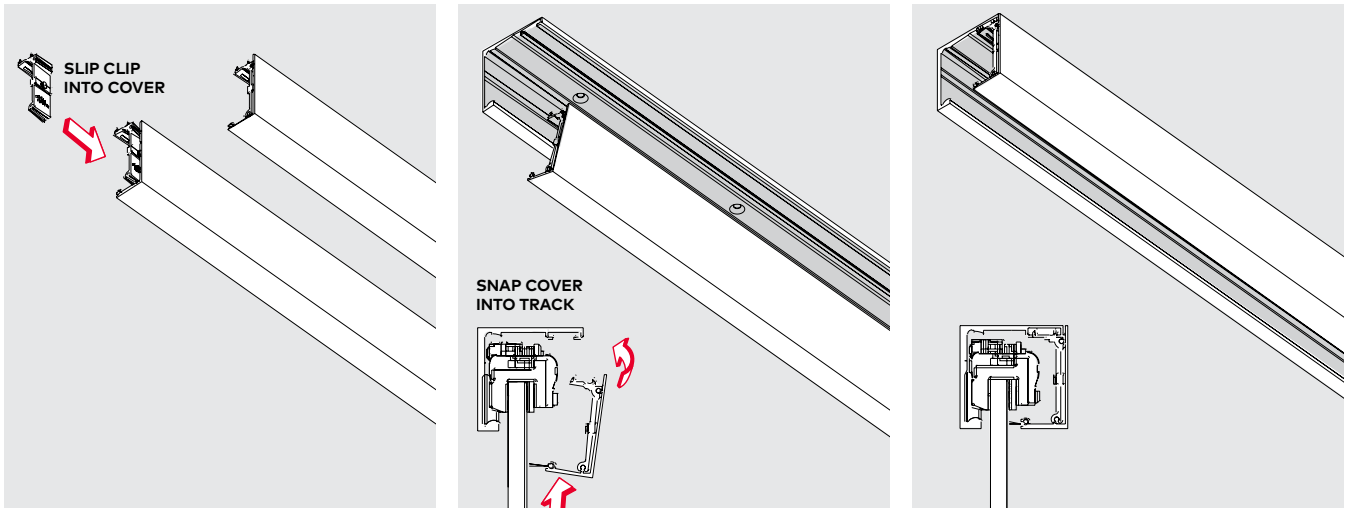


Height adjustment

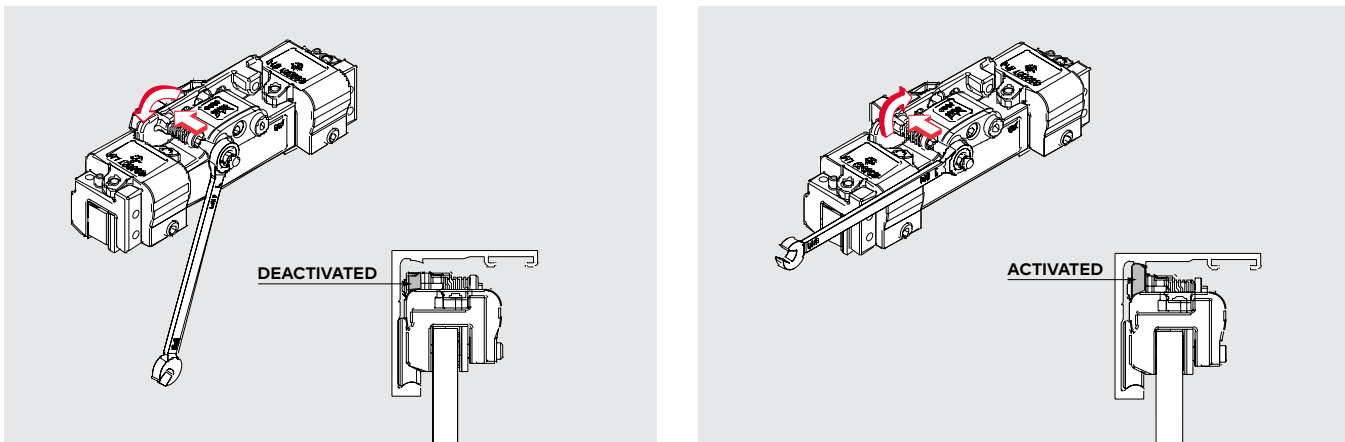


Installation for ceiling recessed (CE-R) mount only

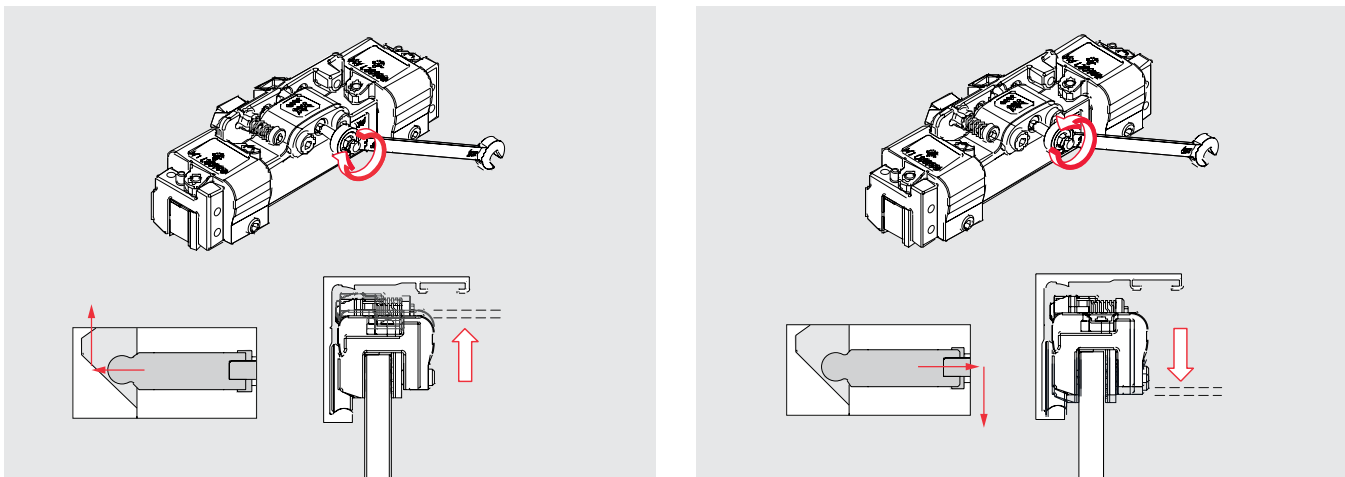
Cover profile



Anti-jump device

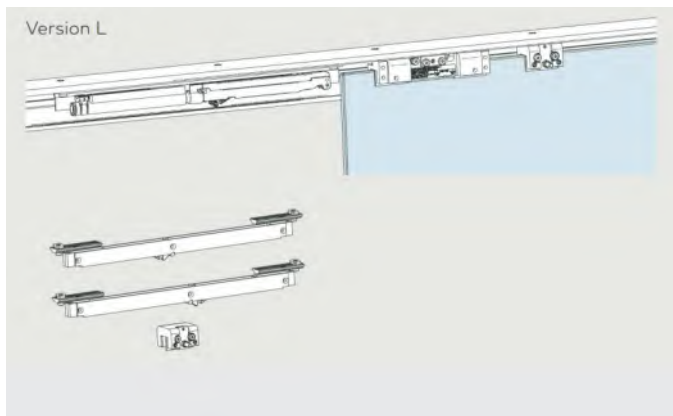
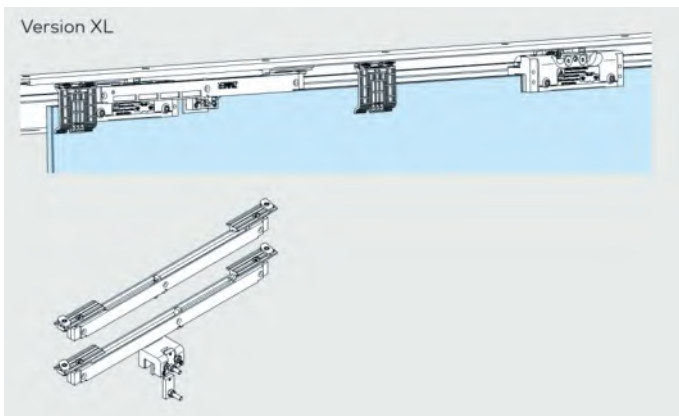


Height adjustment

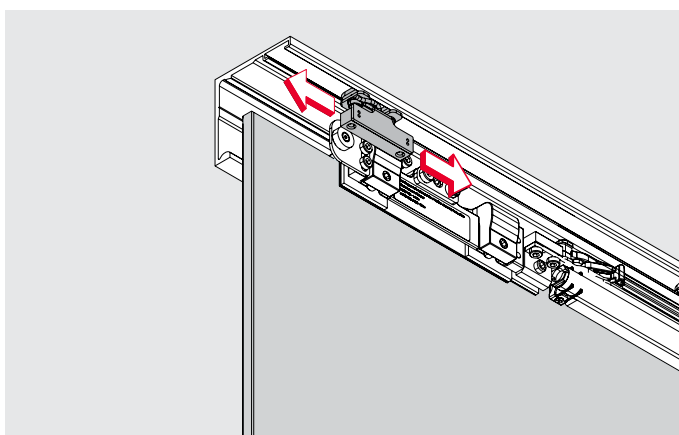


Installation made easy

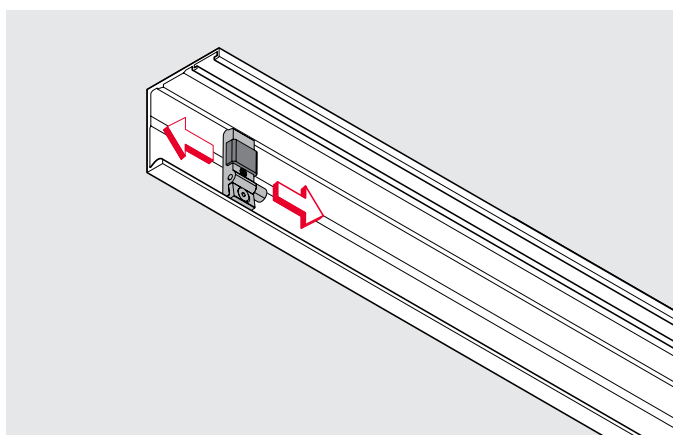
Retrofit DORMOTION in the field
 (minimum door panel widths must be considered)



Optional status indicator retrofitted in field

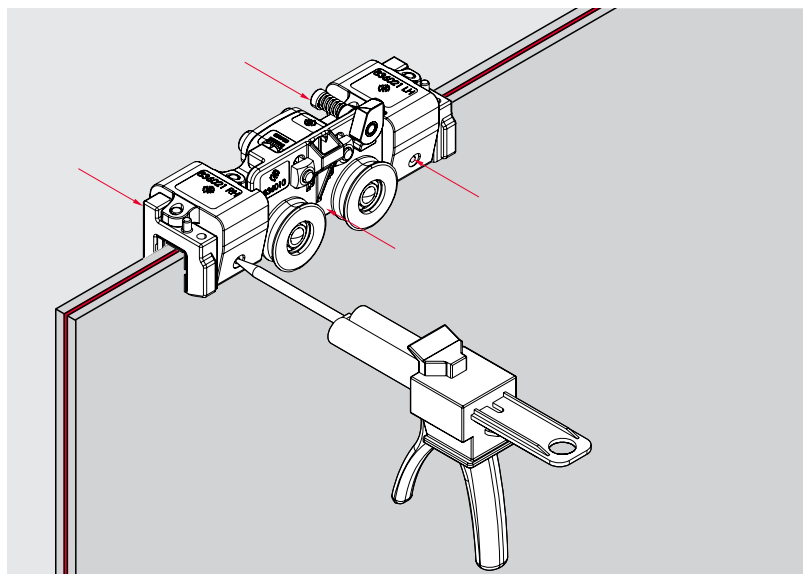


Adjustable endstop



TLG compatibility

dormakaba's Clamp & Glue technology allows installation to tempered laminated glass. This technology allows secure holding power with minimal clamping force, and does not require special glass preparation.



MUTO ceiling recessed (CE-R) mount applications

Premium XL 150/80 DORMOTION (DM), XL 150, XL 120 SC Sliding panels concealed or recessed into ceiling, header, drywall, or drop ceiling

Two most common applications

Option 1
Recessed both sides, drywall vertically mounted.

Option 2
Recessed both sides. (May be drop ceiling profile 836.820 or reinforced drywall; drop ceiling shown.)

Other applications

Option 3
Recessed both sides, drop ceiling profile by drywall. (Drop ceiling profile 836.820 one side by flush vertical drywall other side.)

Option 4
Recessed one side only. Drop ceiling profile by drywall above. (Drop ceiling profile 836.820 one side by vertical drywall above.)

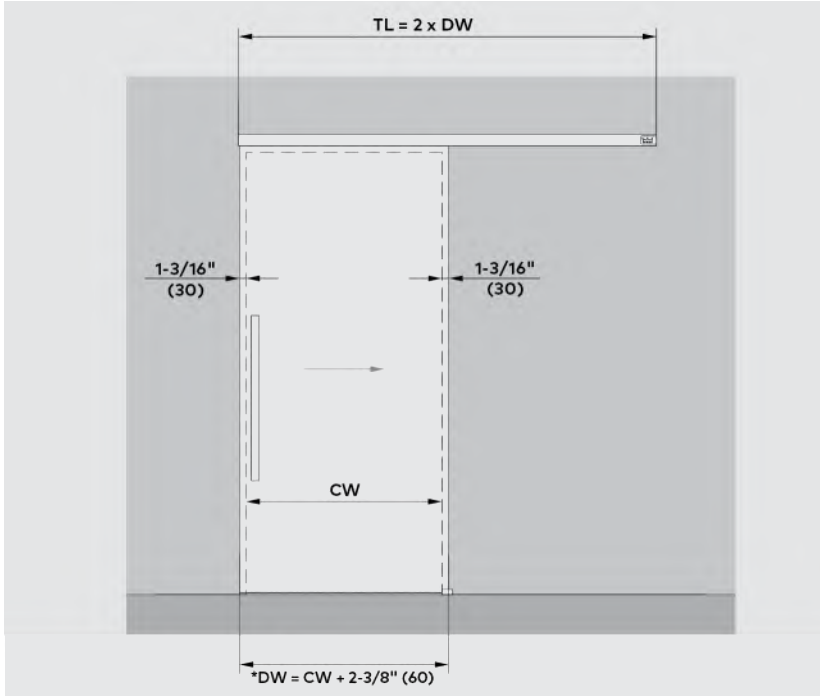
Option 5
Recessed both sides, Drop ceiling profile by drywall. (Drop ceiling profile 836.820 one side by reinforced drywall other side.)

Option 6
Recessed one side only. Drop ceiling profile by drywall. (Drop ceiling profile 836.820 cover side by reinforced drywall above sidelite profile.)

Option 7
Recessed one side only. Drop ceiling profile by drywall. (Drop ceiling profile 836.820 one side by reinforced drywall above cover.)

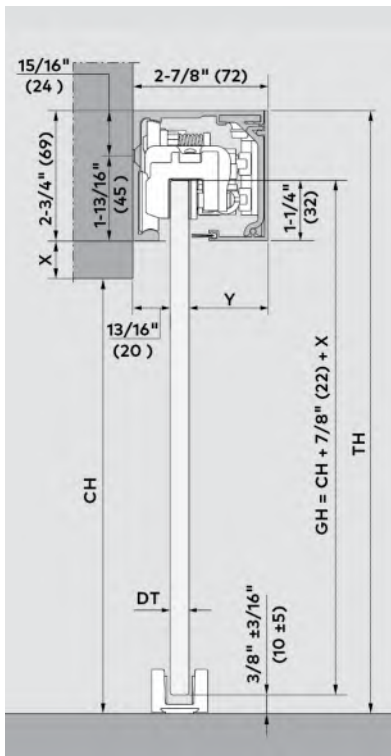
Premium XL 150 DM / XL 150 / XL 80 DM

Typical assemblies mounted to wall



* If single door panel closes against jamb or only overlaps on one side, subtract 1-3/16" (30) from formula.

Mounted to wall (W)



Features and data

For installation with one or two sliding door panels mounted to wall; for 5/16"–9/16" (8 –13.5) thick glass

Max weight of door panels

330 lb (150 kg) for
Premium XL 150 DM/XL 150
176 lb (80 kg) for
Premium XL 80 DM

Calculation of glass height

$GH = CH + 7/8" (22) + X$
(see drawing)
max 118-1/8" (3000)

Calculation of glass width

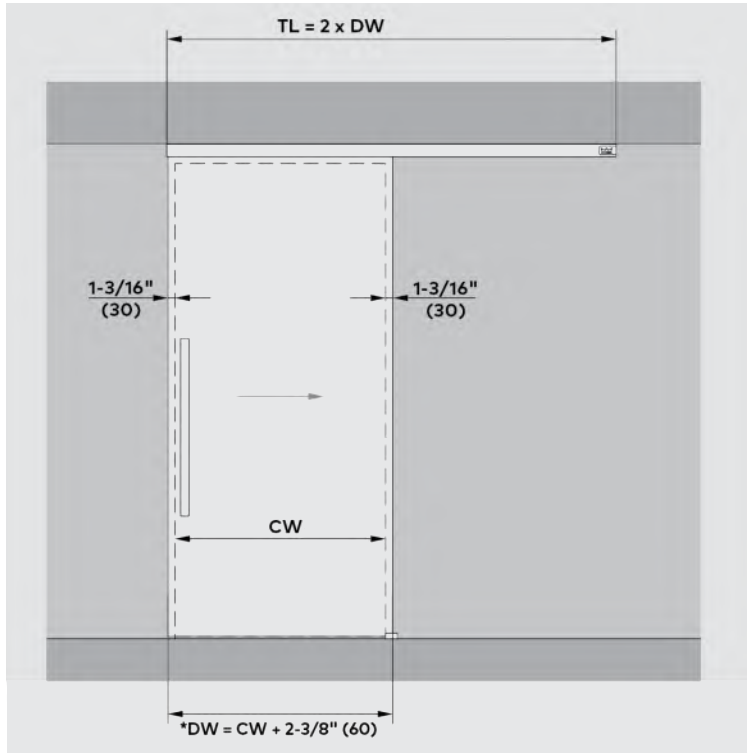
$DW = CW + 2-3/8" (60)$

- DW** = Glass width
- TL** = Track length
- GH** = Glass height
- TH** = Total height
- CH** = Clear opening height
- CW** = Clear opening width
- DT** = Door (glass) thickness
- Y** = 2-7/8" (72) – 13/16" (20) – DT
- X** = Bottom of track channel to top of clear opening

	XL 150 DM	XL 150	XL 80 DM
min DW	26" (660)	26" (660)	26" (660)
max DW	57" (1448)	57" (1448)	57" (1448)
max 2P DW	2 x 57" (1448)	2 x 57" (1448)	2 x 57" (1448)

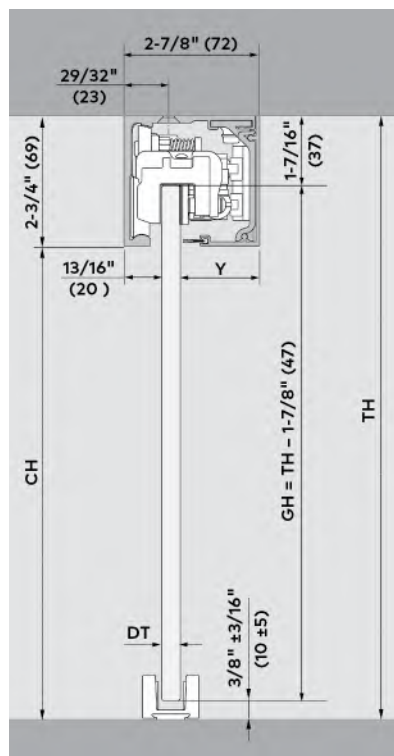
Premium XL 150 DM / XL 150 / XL 80 DM

Typical assemblies mounted to ceiling



* If single door panel closes against jamb or only overlaps on one side, subtract 1-3/16" (30) from formula.

Mounted to ceiling (CE-S)



Features and data

For installation with one or two sliding door panels mounted to ceiling; for 5/16"–9/16" (8 –13.5) thick glass

Max weight of door panels

330 lb (150 kg) for Premium XL 150 DM/XL 150
176 lb (80 kg) for Premium XL 80 DM

Calculation of glass height (CE-S)

GH = TH - 1-7/8" (47)
max 118-1/8" (3000)

Calculation of glass width

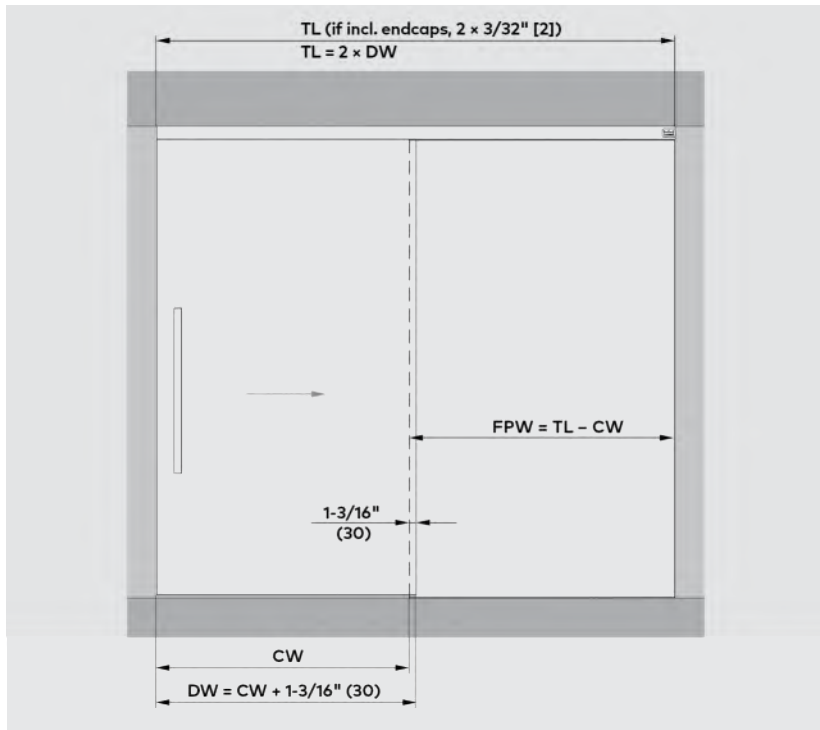
DW = CW + 2-3/8" (60)

- DW = Glass width
- TL = Track length
- GH = Glass height
- TH = Total height
- CH = Clear opening height
- CW = Clear opening width
- DT = Door (glass) thickness
- Y = 2-7/8" (72) - 13/16" (20) - DT

	XL 150 DM
min DW	26" (660)
max DW	57" (1448)
max 2P DW	2 x 57" (1448)
	XL 150
min DW	26" (660)
max DW	57" (1448)
max 2P DW	2 x 57" (1448)
	XL 80 DM
min DW	26" (660)
max DW	57" (1448)
max 2P DW	2 x 57" (1448)

Premium XL 150 DM / XL 150 / XL 80 DM

Typical assemblies mounted to or in ceiling with one sliding panel and fixed panel on one side



Features and data

For installation with one sliding door panel with fixed panel, mounted to ceiling or in ceiling; for 5/16"–9/16" (8–13.5) thick glass

Max weight of door panels

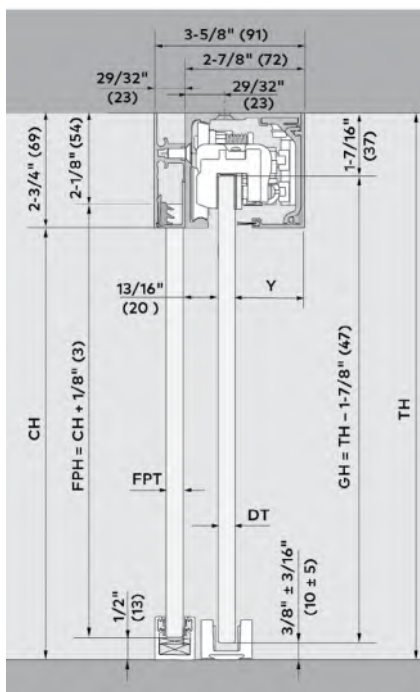
330 lb (150 kg) for Premium XL 150 DM/XL 150
176 lb (80 kg) for Premium XL 80 DM

Calculation of glass width

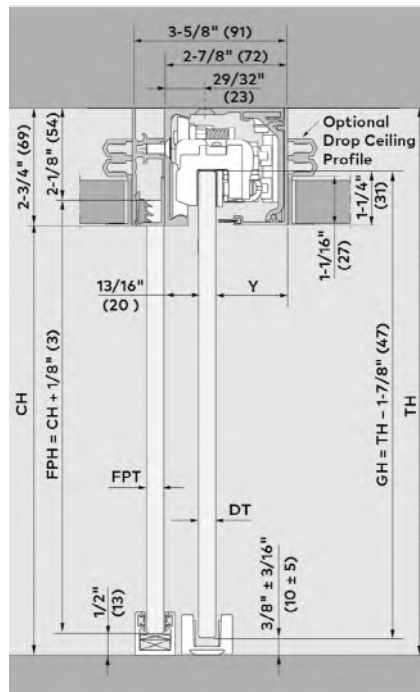
$$DW = CW + 1\text{-}3/16" (30)$$

	XL 150 DM
min DW	26" (660)
max DW	57" (1448)
	XL 150
min DW	26" (660)
max DW	57" (1448)
	XL 80 DM
min DW	26" (660)
max DW	57" (1448)

Mounted to ceiling (CE-S)



Mounted in ceiling (CE-R)



Calculation of glass height (CE-S/CE-R)

$$GH = TH - 1\text{-}7/8" (47)$$

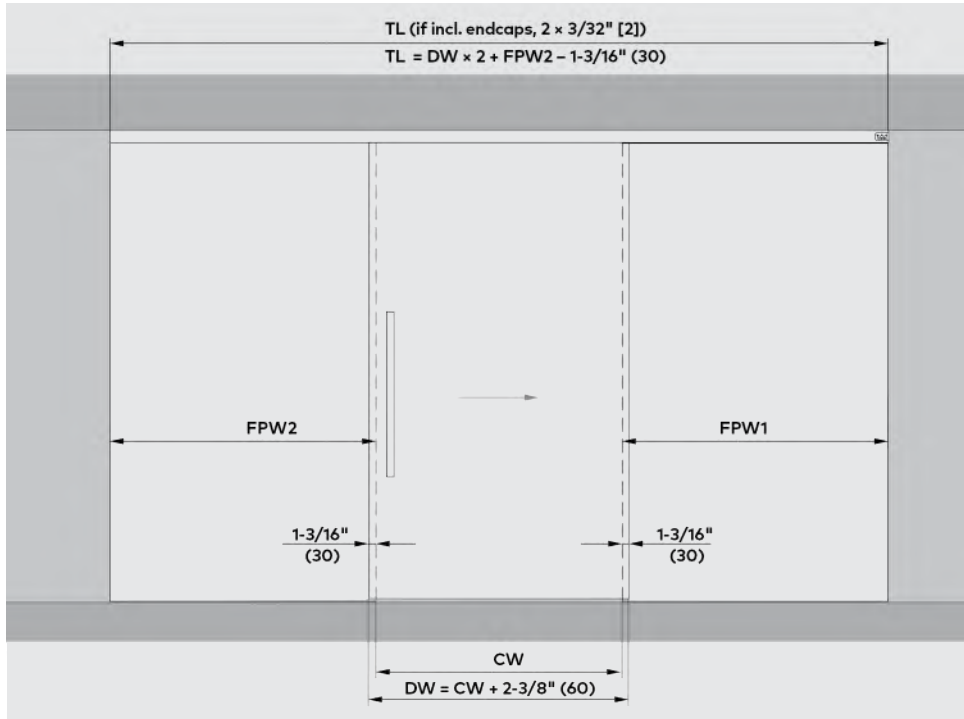
$$FPH = CH + 1/8" (3)$$

$$\text{max } 118\text{-}1/8" (3000)$$

- DW = Glass width
- TL = Track length
- GH = Glass height sliding door
- FPH = Fixed panel (sidelite) height
- TH = Total height
- CH = Clear opening height
- CW = Clear opening width
- FPW = Fixed panel (sidelite) width
- DT = Door (glass) thickness
- FPT = Fixed panel (glass) thickness
- Y = 2-7/8" (72) – 13/16" (20) – DT

Premium XL 150 DM / XL 150 / XL 80 DM

Typical assemblies mounted to or in ceiling with one sliding panel and fixed panel on both sides



Features and data

For installation with one sliding door panel with fixed panel on both sides; for 5/16"–9/16" (8–13.5) thick glass

Max weight of door panels

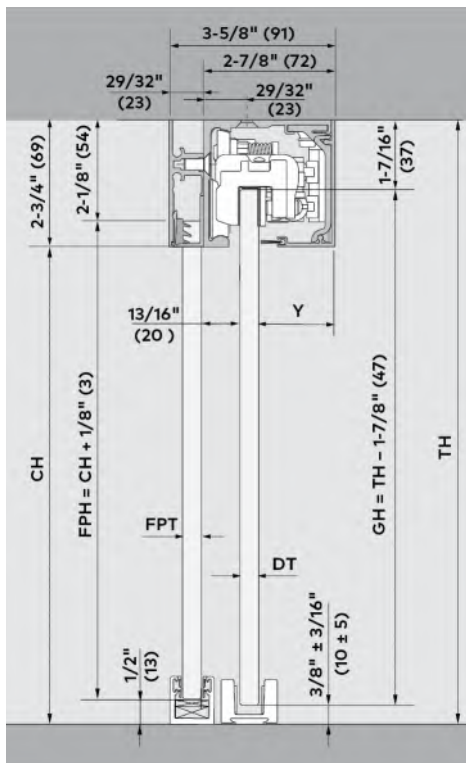
330 lb (150 kg) for
 Premium XL 150 DM/XL 150
 176 lb (80 kg) for
 Premium XL 80 DM

Calculation of glass width

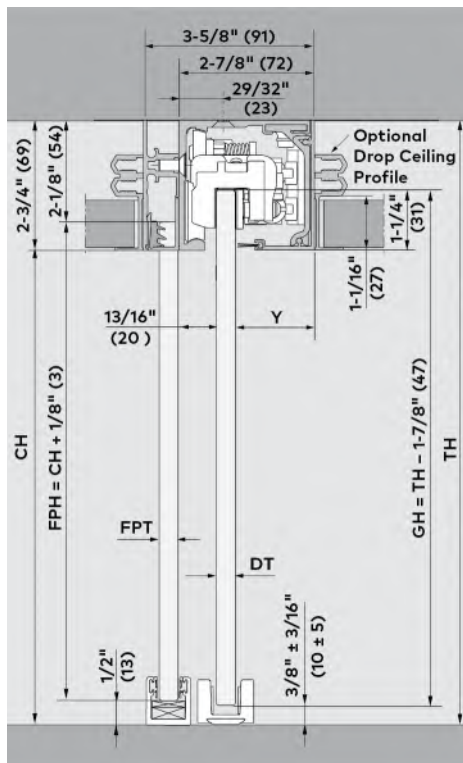
$DW = CW + 2-3/8" (60)$

	XL 150 DM
min DW	26" (660)
max DW	57" (1448)
	XL 150
min DW	26" (660)
max DW	57" (1448)
	XL 80 DM
min DW	26" (660)
max DW	57" (1448)

Mounted to ceiling (CE-S)



Mounted in ceiling (CE-R)



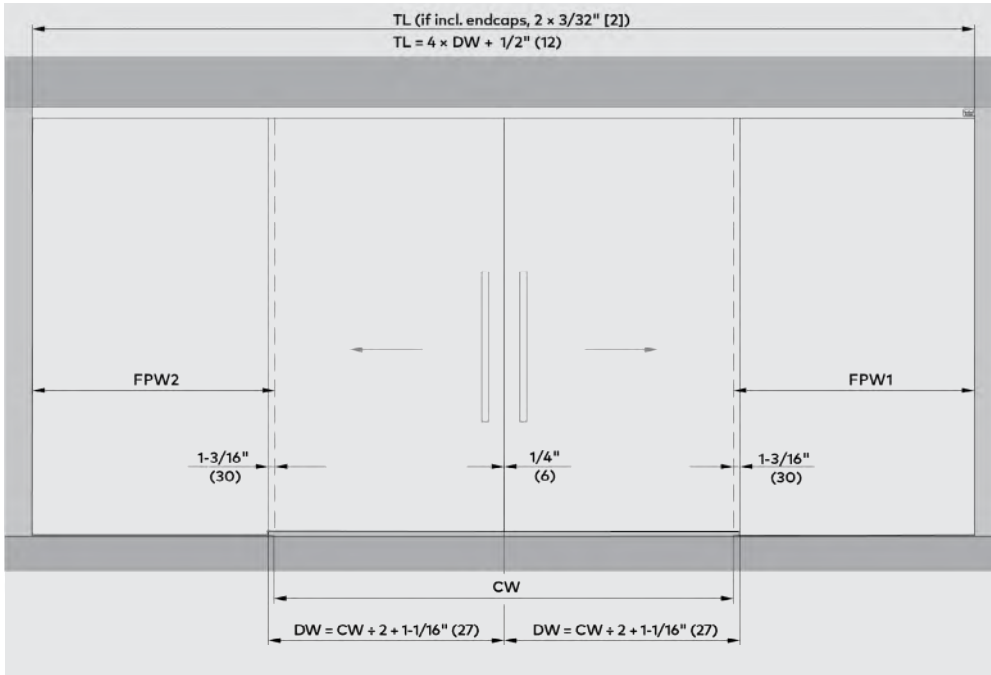
Calculation of glass height (CE-S/CE-R)

$GH = TH - 1-7/8" (47)$
 $FPH = CH + 1/8" (3)$
 max 118-1/8" (3000)

- DW = Glass width
- TL = Track length
- GH = Glass height sliding door
- FPH = Fixed panel (sidelite) height
- TH = Total height
- CH = Clear opening height
- CW = Clear opening width
- FPW1 = Fixed panel (sidelite) width 1
- FPW2 = Fixed panel (sidelite) width 2
- DT = Door (glass) thickness
- FPT = Fixed panel (glass) thickness
- Y = 2-7/8" (72) - 13/16" (20) - DT

Premium XL 150 DM / XL 150 / XL 80 DM

Typical assemblies mounted to or in ceiling with one sliding panel and fixed panels on both sides



Features and data

For installation with two sliding door panels with fixed panel on each side mounted to ceiling or in ceiling; for 5/16"–9/16" (8 –13.5) thick glass

Max weight of door panels

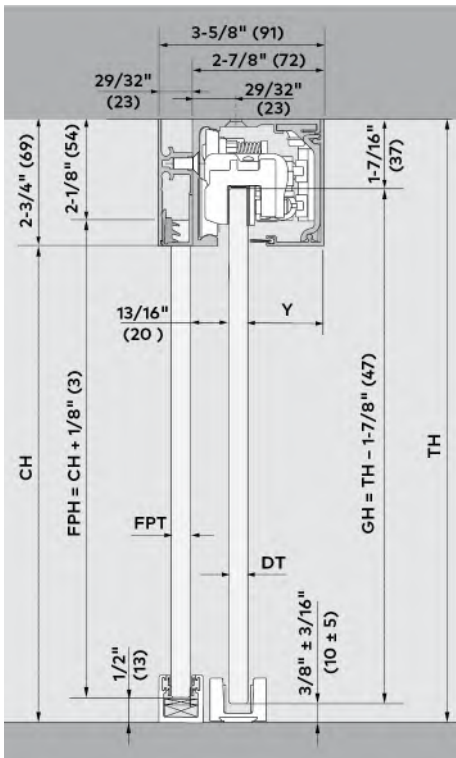
330 lb (150 kg) for Premium XL 150 DM/XL 150
 176 lb (80 kg) for Premium XL 80 DM

Calculation of glass width

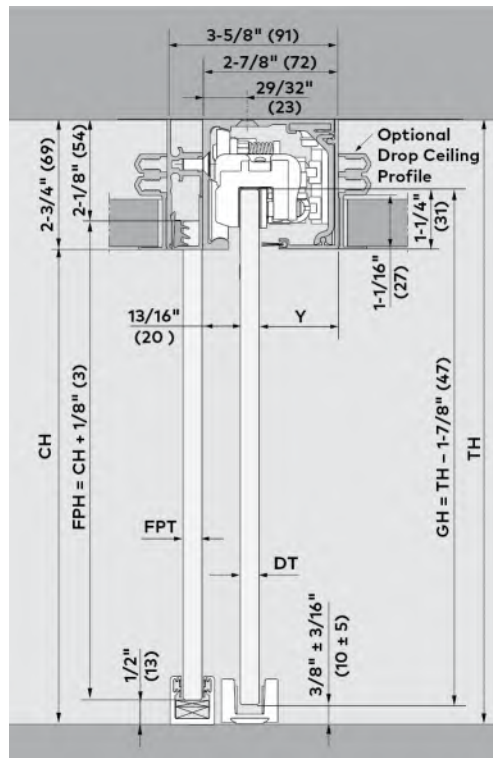
DW = CW ÷ 2 + 1-1/16" (27)

	XL 150 DM
min 2P DW	2 X 26" (660)
max 2P DW	2 x 57" (1448)
	XL 150
min 2P DW	2 x 26" (660)
max 2P DW	2 x 57" (1448)
	XL 80 DM
min 2P DW	2 x 26" (660)
max 2P DW	2 x 57" (1448)

Mounted to ceiling (CE-S)



Mounted in ceiling (CE-R)



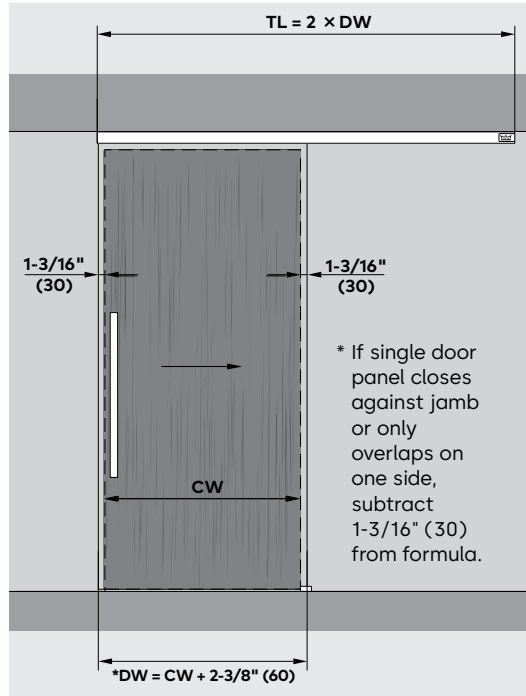
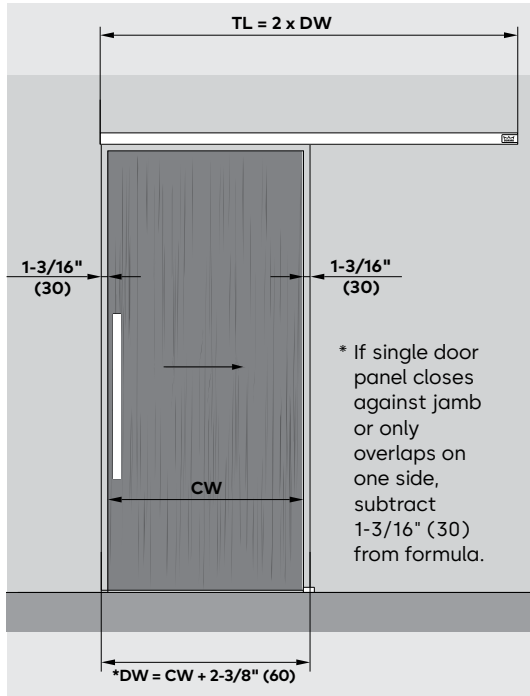
Calculation of glass height (CE-S/CE-R)

GH = TH - 1-7/8" (47)
 FPH = CH + 1/8" (3)
 max 118-1/8" (3000)

- DW = Glass width
- TL = Track length
- GH = Glass height sliding door
- FPH = Fixed panel (sidelite) height
- TH = Total height
- CH = Clear opening height
- CW = Clear opening width
- FPW1 = Fixed panel (sidelite) width 1
- FPW2 = Fixed panel (sidelite) width 2
- DT = Door (glass) thickness
- FPT = Fixed panel (glass) thickness
- Y = 2-7/8" (72) - 13/16" (20) - DT

Premium XL 150 DM / XL 150 / XL 80 DM

Typical assemblies for wood doors



Features and data

For installation with wood door; mounted to wall or ceiling; for 1-1/8" – 1-31/32" (28 – 50) thick wood doors

Max weight of door panels

330 lb (150 kg) for Premium XL 150 DM/XL 150
176 lb (80 kg) for Premium XL 80 DM

Calculation of door height

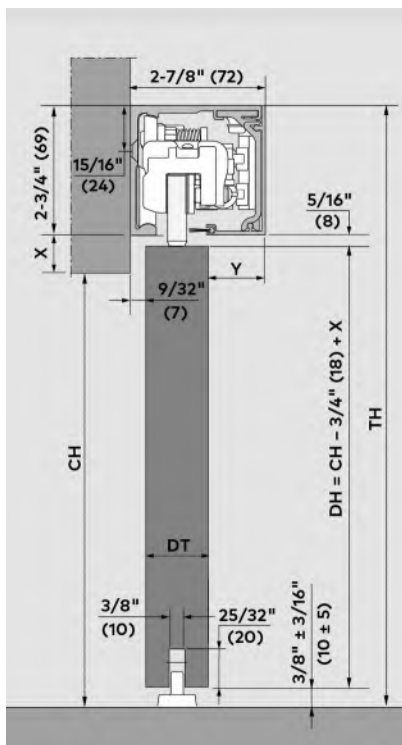
DH = CH – 3/4" (18) + X (wall)
DH = TH – 3-7/16" (87) (ceiling)
max 118-1/8" (3000)

Calculation of door width

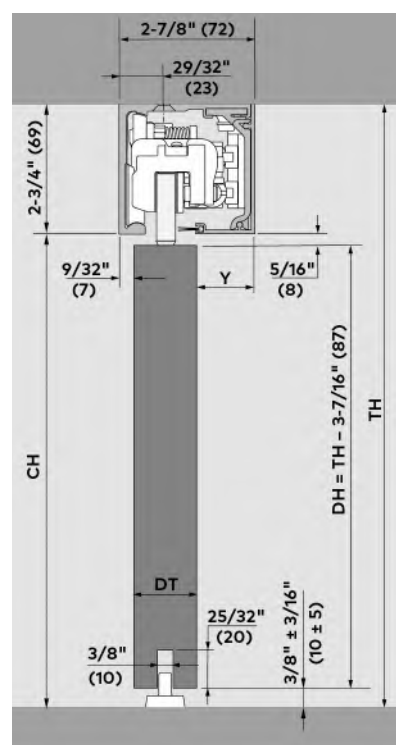
DW = CW + 2-3/8" (60)

- DW = Glass width
- TL = Track length
- TH = Total height
- DH = Door height
- DT = Door (wood) thickness
- CH = Clear opening height
- CW = Clear opening width
- Y = 2-7/8" (72) – 5/16" (7) – DT
- X = Bottom of track channel to top of clear opening

Mounted to wall (W)



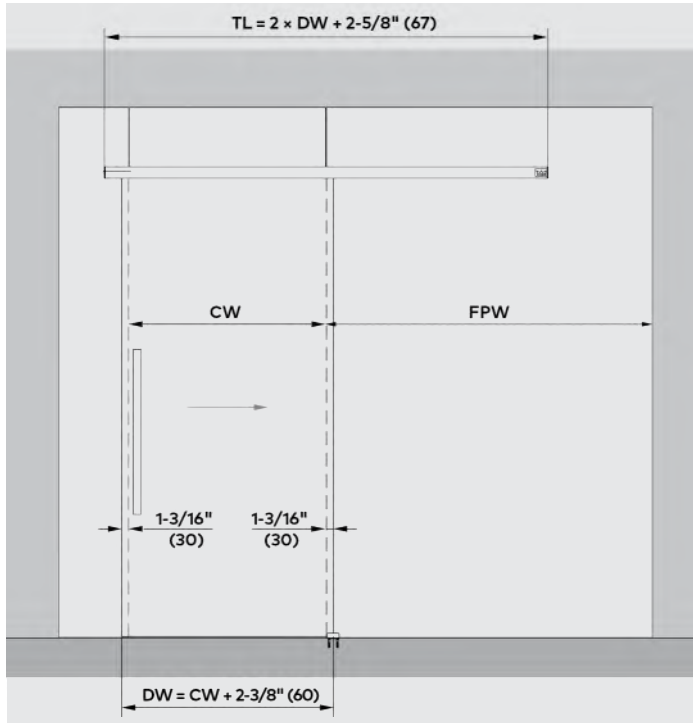
Mounted in wall or ceiling (CE-S / CE-R)



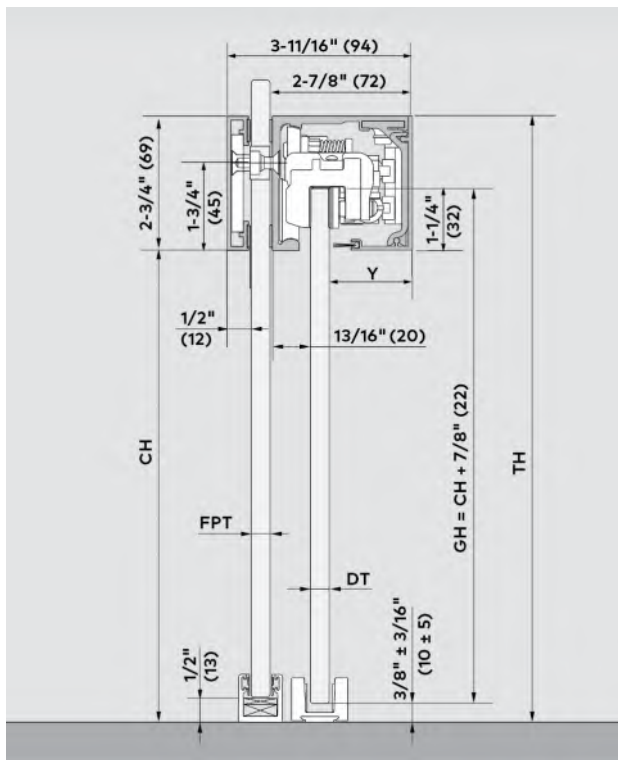
	XL 150 DM
min DW	26" (660)
max DW	60" (1524)
max 2P DW	2 x 60" (1524)
	XL 150
min DW	26" (660)
max DW	60" (1524)
max 2P DW	2 x 60" (1524)
	XL 80 DM
min DW	26" (660)
max DW	60" (1524)
max 2P DW	2 x 60" (1524)

Premium XL 150 DM / XL 80 DM

Typical assemblies mounted on glass with one sliding panel



Note: To ensure a correct and aligned mounting of the track rail, a full supporting fixed panel must be installed.



Features and data

For installation with one sliding panel mounted on glass; for 5/16"–9/16" (8 –13.5) thick glass

Max weight of door panels

330 lb (150 kg) for Premium XL 150 DM
176 lb (80 kg) for Premium XL 80 DM

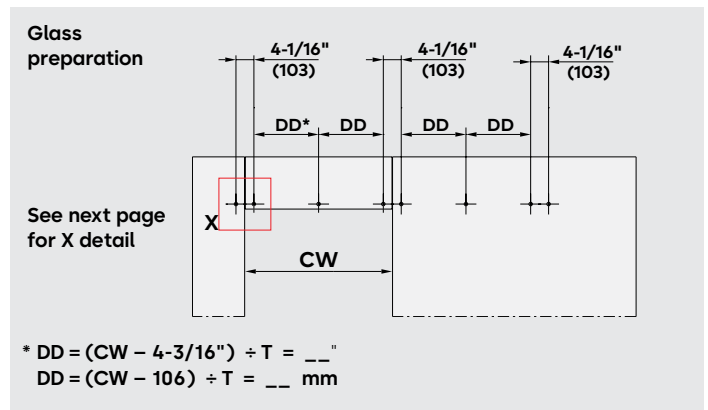
Calculation of glass height

$GH = CH + 7/8" (22)$
max 118-1/8" (3000)

Calculation of glass width

$DW = CW + 2-3/8" (60)$

	XL 150 DM
min DW	26" (660)
min CW	23-5/8" (600)
max DW	57" (1448)
max CW	54-3/4" (1390)
	XL 80 DM
min DW	26" (660)
min CW	26-5/8" (600)
max DW	57" (1448)
max CW	54-3/4" (1390)



Calculation example

$DD = (31-1/2" - 4-3/16") \div 2 = 13-11/16"$
 $DD = (800 - 106) \div 2 = 347$

T = Formula Value

Z = Quantity of holes to drill

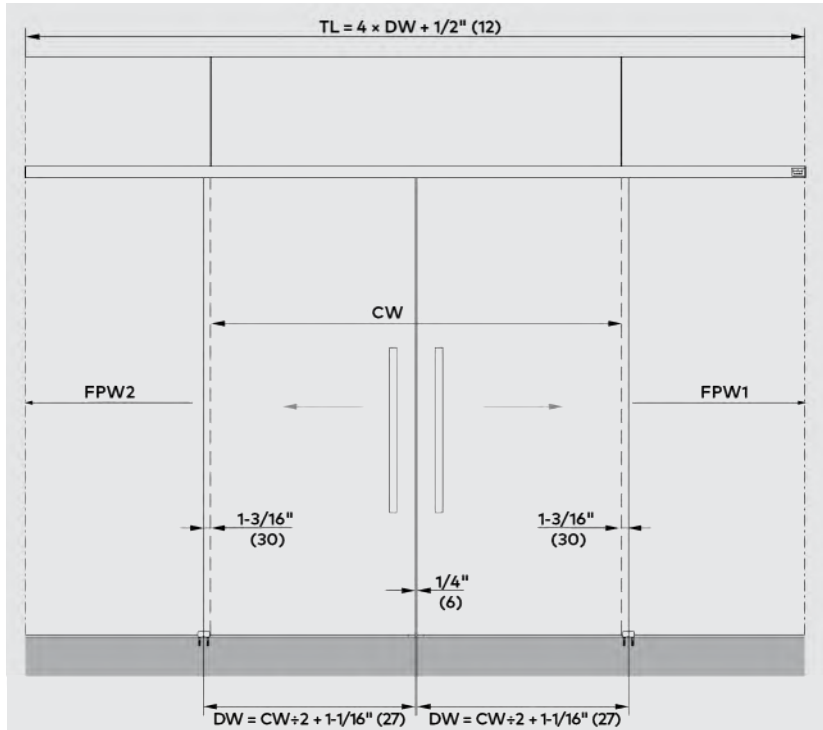
The total quantity of holes (Z) depends on clear opening width (CW) and determines the final drilling distance (DD).

- Use the equation to determine (DD) drilling distance (hole spacing) at defined (DD) locations.
- Provide (CW) clear opening width to determine value for (T).
- Insert value for (T) to formula equation to calculate (DD) drilling distance.

	T	Z
$CW \geq 23-5/8" (600)$ $\leq 31-1/2" (800)$	2	8
$CW > 31-1/2" (800)$ $\leq 39-3/8" (1000)$	3	10
$CW > 39-3/8" (1000)$ $\leq 47-1/4" (1200)$	4	12
$CW > 47-1/4" (1200)$ $\leq 54-5/8" (1388)$	5	14

Premium XL 150 DM / XL 150 / XL 80 DM

Typical assemblies mounted on glass with two sliding panels



Features and data

For installation with two sliding panels mounted on glass; for 5/16"-9/16" (8 - 13.5) thick glass

Max weight of door panels

330 lb (150 kg) for
Premium XL 150 DM
176 lb (80 kg) for
Premium XL 80 DM

Calculation of glass height

GH = CH + 7/8" (22)
max 118-1/8" (3000)

Calculation of glass width

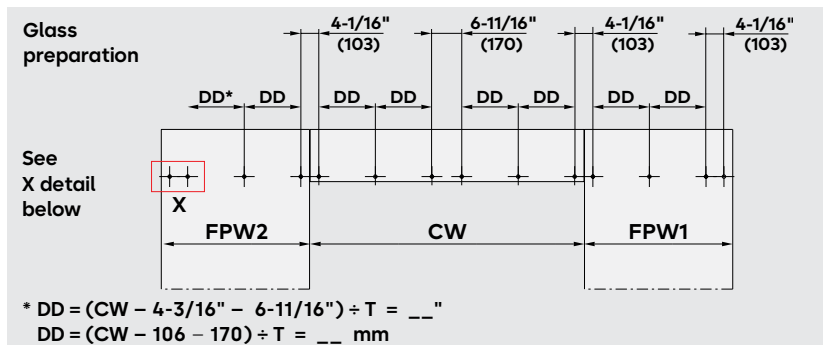
DW = CW ÷ 2 + 1-1/16" (27)

	XL 150 DM	XL 80 DM
min DW	26" (660)	26" (660)
min CW	49-13/16 (1266)	49-13/16 (1266)
max DW	57" (1448)	57"
max CW	112-1/16" (2846)	112-1/16" (2846)

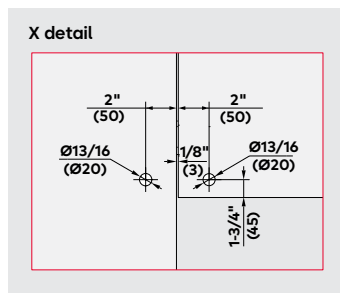
Calculation example

DD = (55-1/8" - 4-3/16" - 6-11/16") ÷ 4 = 11-1/16"
DD = (1400 - 106 - 170) ÷ 4 = 281

Refer to Elevation drawing on previous page.



- DW = Glass width
- Z = Quantity of drillings
- TL = Track length
- DD = Drilling distance
- TH = Total height
- CH = Clear opening height
- CW = Clear opening width
- GH = Door (glass) height
- FPW = Fixed panel (glass) width
- T = Set formula value derived from CW
- DT = Door (glass) thickness 3/8" - 3/4" (10 - 19)
- FPT = Fixed panel (sidelite) thickness
- Y = 2-7/8" (72) - 13/16" (20) - DT



	T	Z
CW ≥ 47-1/4" (1200)	4	14
≤ 59-1/16" (1500)		
CW > 59-1/16" (1500)	6	18
≤ 78-3/4" (2000)		
CW > 78-3/4" (2000)	8	22
≤ 112-1/16" (2846)		

T = Formula Value

Z = Quantity of holes to drill

The total quantity of holes (Z) depends on clear opening width (CW) and determines the final drilling distance (DD).

- Use the equation to determine (DD) drilling distance (hole spacing) at defined (DD) locations.
- Provide (CW) clear opening width to determine value for (T).
- Insert value for (T) to formula equation to calculate (DD) drilling distance.

Premium XL 150 DM / XL 150 / XL 80 DM

Sliding door sets with one sliding panel and one or two fixed panels, ceiling surface installation

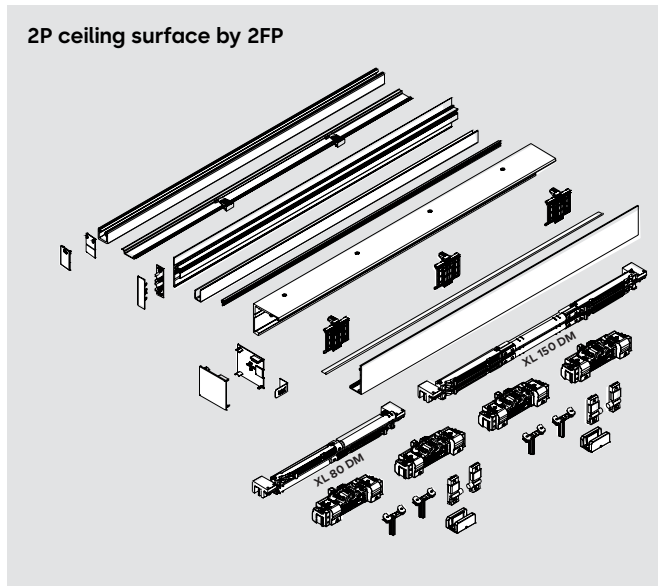
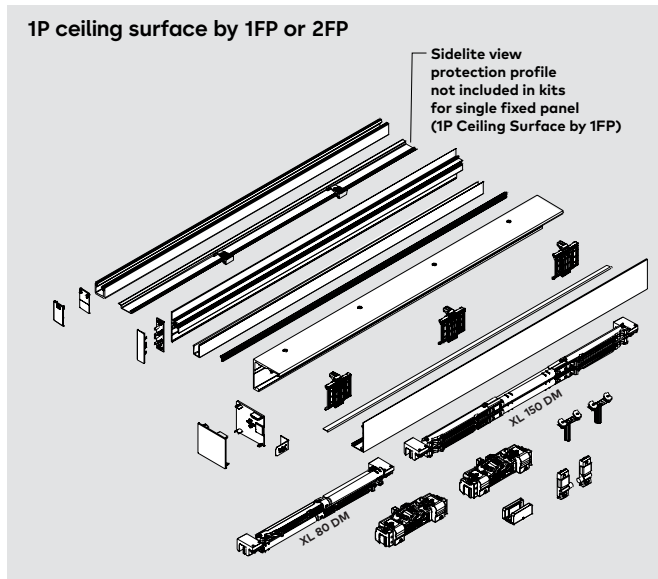
Incl. track/endcaps, cover, cover clips, gasket, end stops, roller carriers, DORMOTION¹, DM start/stops¹, floor guide, sidelite profile and gasket, sidelite filler profile, sidelite endcaps, U-Channel and gasket, and sidelite mounting hardware. (Sidelite view profile included if appropriate.)

Complete accessories for 5/16"–9/16" (8 –13.5) thick glass.

XL 150 DM / XL 150 max 330 lb (150 kg).

XL 80 DM max 176 lb (80 kg).

¹ XL 150 set does not include DORMOTION or DM start/stops.



1P ceiling surface by 1FP – Set for ceiling surface installation with one sliding panel and one fixed panel.

	Min panel width	Min clear opening width	Max panel width ²	Max clear opening width ²	Max track length ²	Ref. No.
1P XL 150 DM CE-S 1FP						
MTO	26" (660)	23-5/8" (600)	57" (1448)	54-5/8" (1388)	157-1/2" (4000)	236.589
1P XL 150 CE-S 1FP						
MTO	26" (660)	23-5/8" (600)	57" (1448)	54-5/8" (1388)	157-1/2" (4000)	236.588
1P XL 80 DM CE-S 1FP						
MTO	26" (660)	23-5/8" (600)	57" (1448)	54-5/8" (1388)	157-1/2" (4000)	236.583

1P ceiling surface by 2FP – Set for ceiling surface installation with one sliding panel and two fixed panels.

	Min panel width	Min clear opening width	Max panel width ²	Max clear opening width ²	Max track length ²	Ref. No.
1P XL 150 DM CE-S 2FP						
MTO	26" (660)	26-5/8" (600)	57" (1448)	54-5/8" (1388)	157-1/2" (4000)	236.591
1P XL 150 CE-S 2FP						
MTO	26" (660)	23-5/8" (600)	57" (1448)	54-3/8" (1381)	157-1/2" (4000)	236.590
1P XL 80 DM CE-S 2FP						
MTO	26" (660)	23-5/8" (600)	57" (1448)	54-3/8" (1381)	157-1/2" (4000)	236.585

2P ceiling surface by 2FP – Set for ceiling surface installation with two sliding panels and two fixed panels.

	Min panel width	Min clear opening width	Max panel width ²	Max clear opening width ²	Max track length ²	Ref. No.
2P XL 150 DM CE-S 2FP						
MTO	26" (660)	49-13/16" (1266)	57" (1448)	111-7/8" (2842)	157-1/2" (4000)	236.587
2P XL 150 CE-S 2FP						
MTO	26" (660)	49-13/16" (1266)	57" (1448)	111-7/8" (2842)	157-1/2" (4000)	236.592
2P XL 80 DM CE-S 2FP						
MTO	26" (660)	49-13/16" (1266)	57" (1448)	111-7/8" (2842)	157-1/2" (4000)	236.587

Note: Refer to Component parts section for wood door adapter options.

² For 157-1/2" track lengths, only 154" are useable. Max wood door sizes can be increased by 3" (76), MTO only.

Premium XL 150 DM / XL 150 / XL 80 DM

Sliding door sets with one sliding panel and one or two fixed panels, ceiling surface installation

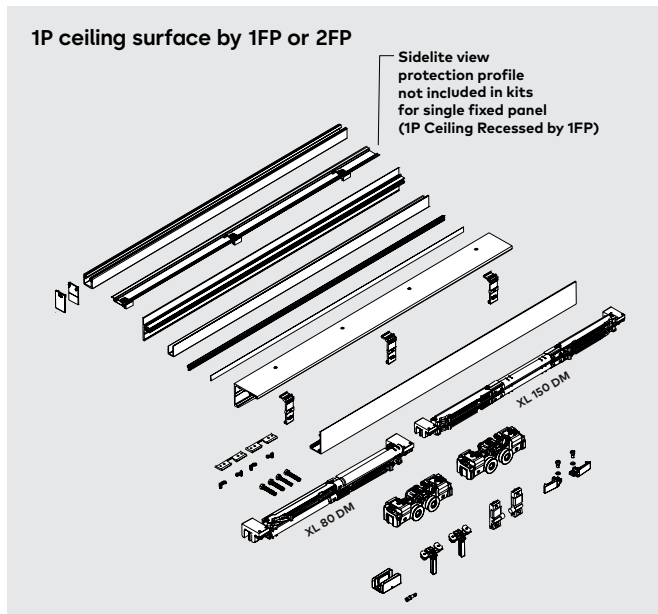
Incl. track/endcaps, cover, cover clips, gasket, end stops, roller carriers, DORMOTION¹, DM start/stops¹, floor guide, sidelite profile and gasket, sidelite filler profile, sidelite endcaps, U-Channel and gasket, and sidelite mounting hardware. (Sidelite view profile included if appropriate.)

Complete accessories for 5/16"–9/16" (8 –13.5) thick glass.

XL 150 DM / XL 150 max 330 lb (150 kg).

XL 80 DM max 176 lb (80 kg).

¹ XL 150 set does not include DORMOTION or DM start/stops.

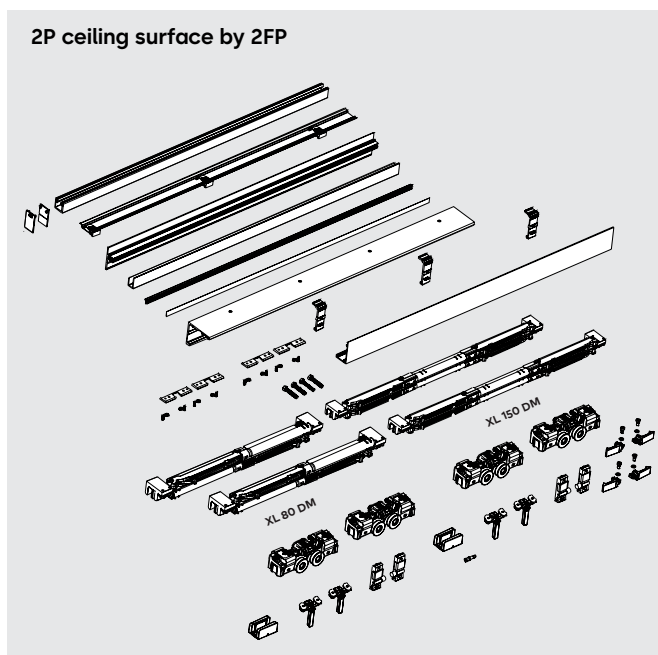


1P ceiling surface by 1FP – Set for ceiling surface installation with one sliding panel and one fixed panel.

	Min panel width	Min clear opening width	Max panel width ²	Max clear opening width ²	Max track length ²	Ref. No.
1P XL 150 DM CE-R 1FP						
MTO	26" (660)	23-5/8" (600)	57" (1448)	54-5/8" (1388)	157-1/2" (4000)	236.595
1P XL 150 CE-R 1FP						
MTO	26" (660)	23-5/8" (600)	57" (1448)	54-5/8" (1388)	157-1/2" (4000)	236.594
1P XL 80 DM CE-R 1FP						
MTO	26" (660)	23-5/8" (600)	57" (1448)	54-5/8" (1388)	157-1/2" (4000)	236.582

1P ceiling surface by 2FP – Set for ceiling surface installation with one sliding panel and two fixed panels.

	Min panel width	Min clear opening width	Max panel width ²	Max clear opening width ²	Max track length ²	Ref. No.
1P XL 150 DM CE-R 2FP						
MTO	26" (660)	26-5/8" (600)	57" (1448)	54-5/8" (1388)	157-1/2" (4000)	236.597
1P XL 150 CE-R 2FP						
MTO	26" (660)	23-5/8" (600)	57" (1448)	54-3/8" (1381)	157-1/2" (4000)	236.596
1P XL 80 DM CE-R 2FP						
MTO	26" (660)	23-5/8" (600)	57" (1448)	54-3/8" (1381)	157-1/2" (4000)	236.584



2P ceiling surface by 2FP – Set for ceiling surface installation with two sliding panels and two fixed panels.

	Min panel width	Min clear opening width	Max panel width ²	Max clear opening width ²	Max track length ²	Ref. No.
2P XL 150 DM CE-R 2FP						
MTO	26" (660)	49-13/16" (1266)	57" (1448)	111-7/8" (2842)	157-1/2" (4000)	236.599
2P XL 150 CE-R 2FP						
MTO	26" (660)	49-13/16" (1266)	57" (1448)	111-7/8" (2842)	157-1/2" (4000)	236.598
2P XL 80 DM CE-R 2FP						
MTO	26" (660)	49-13/16" (1266)	57" (1448)	111-7/8" (2842)	157-1/2" (4000)	236.586

Note: Refer to Component parts section for wood door adapter options.

² For 157-1/2" track lengths, only 154" are useable. Max wood door sizes can be increased by 3" (76), MTO only.

Premium XL 150 DM / XL 150 / XL 80 DM

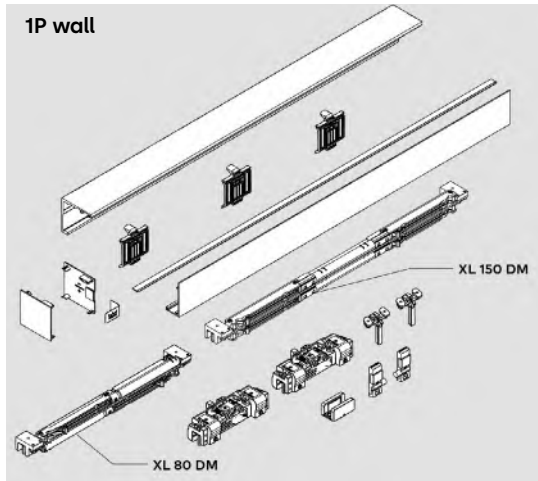
Sliding door sets with one sliding panel

Incl. track/endcaps, cover, cover clips, gasket, end stops, roller carriers, DORMOTION¹, DM start/stops¹, and floor guide.
Complete accessories for 5/16"–9/16" (8–13.5) thick glass.

XL 150 DM / XL 150 max 330 lb (150 kg).

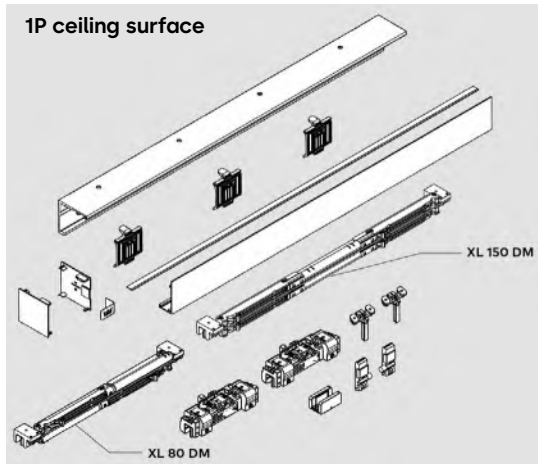
XL 80 DM max 176 lb (80 kg).

¹ XL 150 set does not include DORMOTION or DM start/stops.



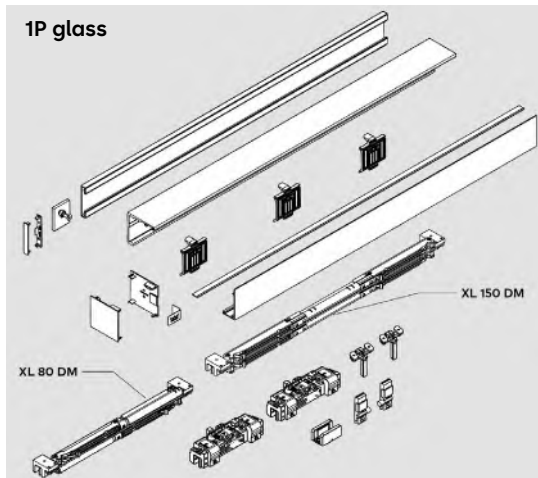
1P wall installation – Set for wall installation with one sliding panel.

	Min panel width	Min clear opening width	Max panel width ²	Max clear opening width ²	Max track length ²	Ref. No.
1P XL 150 DM W						
STK	26" (660)	23-5/8" (600)	56-11/16" (1440)	54-5/16" (1380)	113-3/8" (2880)	836.510
MTO	26" (660)	23-5/8" (600)	57" (1448)	54-5/8" (1388)	157-1/2" (4000)	836.521
1P XL 150 W						
STK	26" (660)	23-5/8" (600)	56-11/16" (1440)	54-5/16" (1380)	113-3/8" (2880)	236.510
MTO	26" (660)	23-5/8" (600)	57" (1448)	54-5/8" (1388)	157-1/2" (4000)	236.521
1P XL 80 DM W						
STK	26" (660)	23-5/8" (600)	56-11/16" (1440)	54-5/16" (1380)	113-3/8" (2880)	836.502
MTO	26" (660)	23-5/8" (600)	57" (1448)	54-5/8" (1388)	157-1/2" (4000)	836.520



1P ceiling surface installation – Set for ceiling surface installation with one sliding panel.

	Min panel width	Min clear opening width	Max panel width ²	Max clear opening width ²	Max track length ²	Ref. No.
1P XL 150 DM CE-S						
STK	26" (660)	23-5/8" (600)	56-11/16" (1440)	54-5/16" (1380)	113-3/8" (2880)	836.512
MTO	26" (660)	23-5/8" (600)	57" (1448)	54-5/8" (1388)	157-1/2" (4000)	836.523
1P XL 150 CE-S						
STK	26" (660)	23-5/8" (600)	56-11/16" (1440)	54-5/16" (1380)	113-3/8" (2880)	236.512
MTO	26" (660)	23-5/8" (600)	57" (1448)	54-5/8" (1388)	157-1/2" (4000)	236.523
1P XL 80 DM CE-S						
STK	26" (660)	23-5/8" (600)	56-11/16" (1440)	54-5/16" (1380)	113-3/8" (2880)	836.505
MTO	26" (660)	23-5/8" (600)	57" (1448)	54-5/8" (1388)	157-1/2" (4000)	836.522



1P glass installation – Set for glass installation with one sliding panel.

	Min panel width	Min clear opening width	Max panel width ²	Max clear opening width ²	Max track length ²	Ref. No.
1P XL 150 DM G						
MTO	26" (660)	23-5/8" (600)	57" (1448)	54-5/8" (1388)	157-1/2" (4000)	836.525
1P XL 80 DM G						
MTO	26" (660)	23-5/8" (600)	57" (1448)	54-5/8" (1388)	157-1/2" (4000)	836.524

Note: Refer to Component parts section for wood door adapter options.

² For 157-1/2" track lengths, only 154" are useable.
Max wood door sizes can be increased by 3" (76), MTO only.

Premium XL 150 DM / XL 150 / XL 80 DM

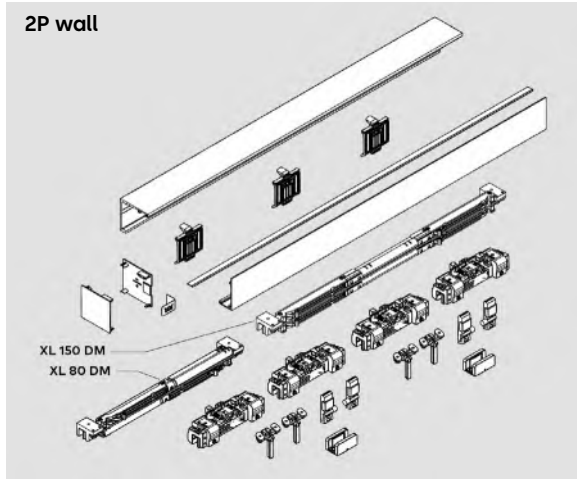
Sliding door sets with two sliding panels

Incl. track/endcaps, cover, cover clips, gasket, end stops, roller carriers, DORMOTION¹, DM start/stops¹, and floor guide.
Complete accessories for 5/16"–9/16" (8–13.5) thick glass.

XL 150 DM / XL 150 max 330 lb (150 kg).

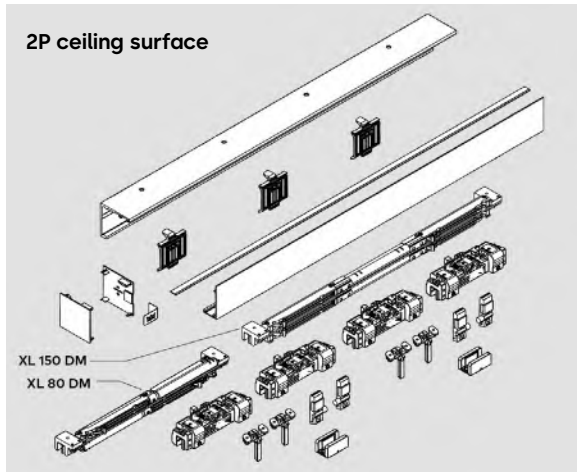
XL 80 DM max 176 lb (80 kg).

¹ XL 150 set does not include DORMOTION or DM start/stops.



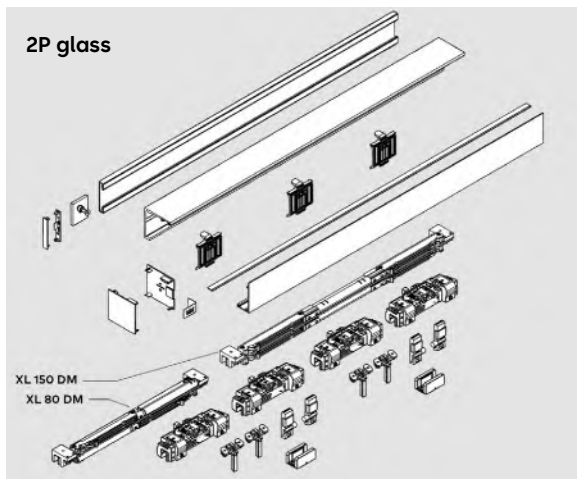
2P wall installation – Set for wall installation with two sliding panels.

	Min panel width	Min clear opening width	Max panel width ²	Max clear opening width ²	Max track length ²	Ref. No.
2P XL 150 DM W						
MTO	26" (660)	49-13/16" (1266)	57" (1448)	111-7/8" (2842)	157-1/2" (4000)	836.527
2P XL 150 W						
MTO	26" (660)	49-13/16" (1266)	57" (1448)	111-7/8" (2842)	157-1/2" (4000)	236.527
2P XL 80 DM W						
MTO	26" (660)	49-13/16" (1266)	57" (1448)	111-7/8" (2842)	157-1/2" (4000)	836.526



2P ceiling surface installation – Set for ceiling surface installation with two sliding panels.

	Min panel width	Min clear opening width	Max panel width ²	Max clear opening width ²	Max track length ²	Ref. No.
2P XL 150 DM CE-S						
MTO	26" (660)	49-13/16" (1266)	57" (1448)	111-7/8" (2842)	157-1/2" (4000)	836.529
2P XL 150 CE-S						
MTO	26" (660)	49-13/16" (1266)	57" (1448)	111-7/8" (2842)	157-1/2" (4000)	236.529
2P XL 80 DM CE-S						
MTO	26" (660)	49-13/16" (1266)	57" (1448)	111-7/8" (2842)	157-1/2" (4000)	836.528



2P glass installation – Set for glass installation with two sliding panels.

	Min panel width	Min clear opening width	Max panel width ²	Max clear opening width ²	Max track length ²	Ref. No.
2P XL 150 DM G						
MTO	26" (660)	49-13/16" (1266)	57" (1448)	111-7/8" (2842)	157-1/2" (4000)	836.531
2P XL 80 DM G						
MTO	26" (660)	49-13/16" (1266)	57" (1448)	111-7/8" (2842)	157-1/2" (4000)	836.530

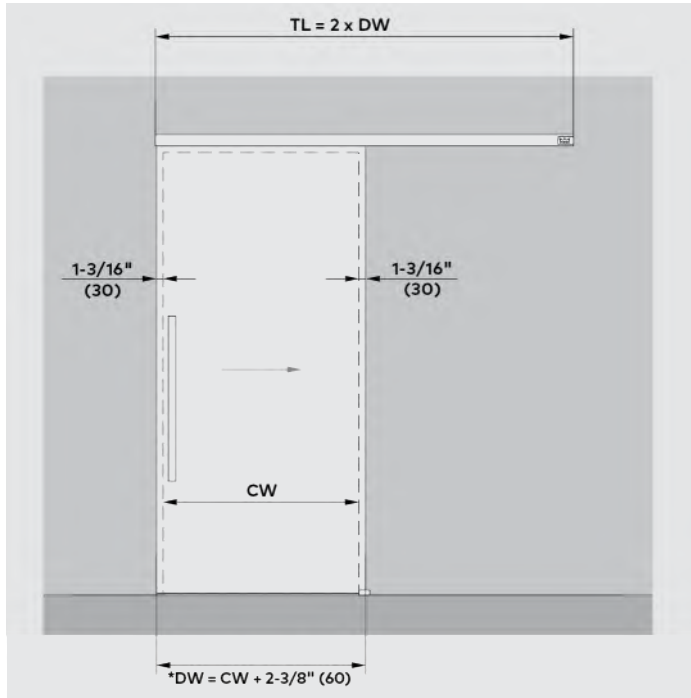
Note: Refer to Component parts section for wood door adapter options.

² For 157-1/2" track lengths, only 154" are useable.
Max wood door sizes can be increased by 3" (76), MTO only.

Premium XL 120 Self-Closing (SC)

Typical assemblies mounted to wall

Note: XL 120 SC includes DORMOTION standard in the closing cycle, optional (DMSC) for opening cycle.



Features and data

For installation with one or two sliding door panels mounted to wall; for 5/16"–9/16" (8 –13.5) thick glass

Max weight of door panels

264 lb (120 kg)

Calculation of glass height

$GH = CH + 7/8" (22) + X$ (see drawing)

max 118-1/8" (3000)

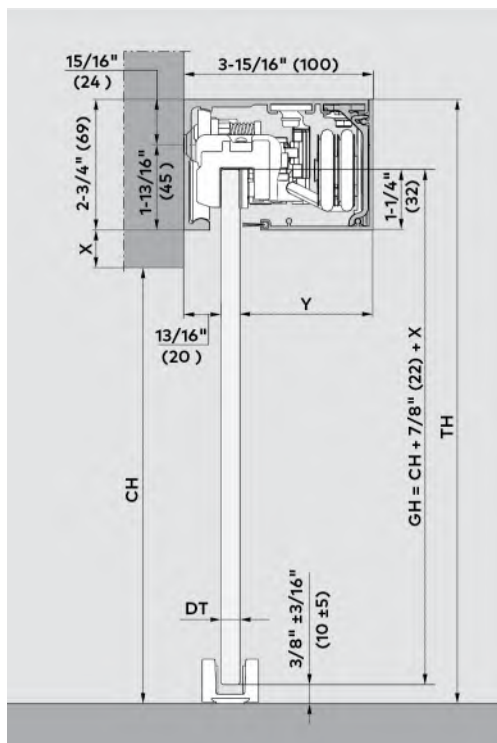
Calculation of glass width

$DW = CW + 2-3/8" (60)$

* If single door panel closes against jamb or only overlaps on one side, subtract 1-3/16" (30) from formula.

	XL 120 SC
min DW	33-1/2" (850)
max DW	57" (1448)
max 2P DW	2 x 57" (1448)

Mounted to wall (W)

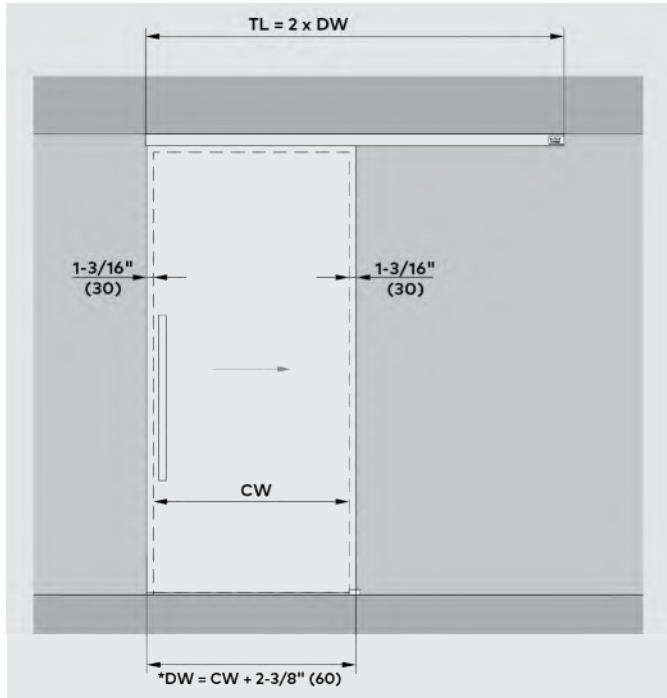


- DW** = Glass width
- TL** = Track length
- GH** = Glass height
- TH** = Total height
- CH** = Clear opening height
- CW** = Clear opening width
- DT** = Door (glass) thickness
- Y** = 3-15/16" (100) – 13/16" (20) – DT
- X** = Bottom of track channel to top of clear opening

Premium XL 120 Self-Closing (SC)

Typical assemblies mounted to ceiling

Note: XL 120 SC includes DORMOTION standard in the closing cycle, optional (DMSC) for opening cycle.



Features and data

For installation with one or two sliding door panels mounted to wall; for 5/16"–9/16" (8 –13.5) thick glass

Max weight of door panels

264 lb (120 kg)

Calculation of glass height

$GH = TH + 1-7/8" (47) + X$
max 118-1/8" (3000)

Calculation of glass width

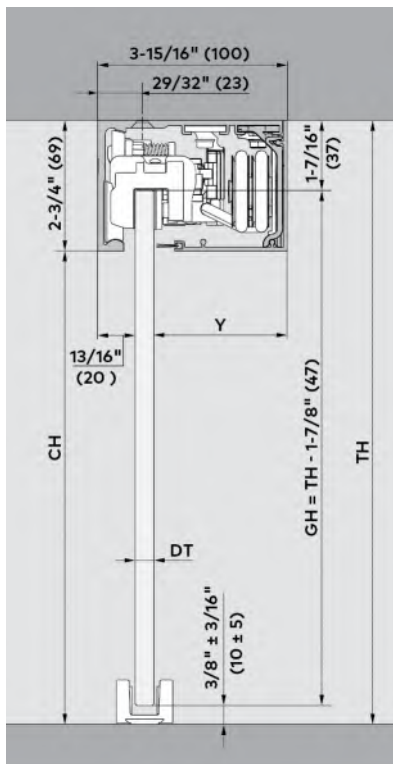
$DW = CW + 2-3/8" (60)$

* If single door panel closes against jamb or only overlaps on one side, subtract 1-3/16" (30) from formula.

	XL 120 SC
min DW	33-1/2" (850)
max DW	57" (1448)
max 2P DW	2 x 57" (1448)

DW = Glass width
TL = Track length
GH = Glass height
TH = Total height
CH = Clear opening height
CW = Clear opening width
DT = Door (glass) thickness
Y = 3-15/16" (100) – 13/16" (20) – DT

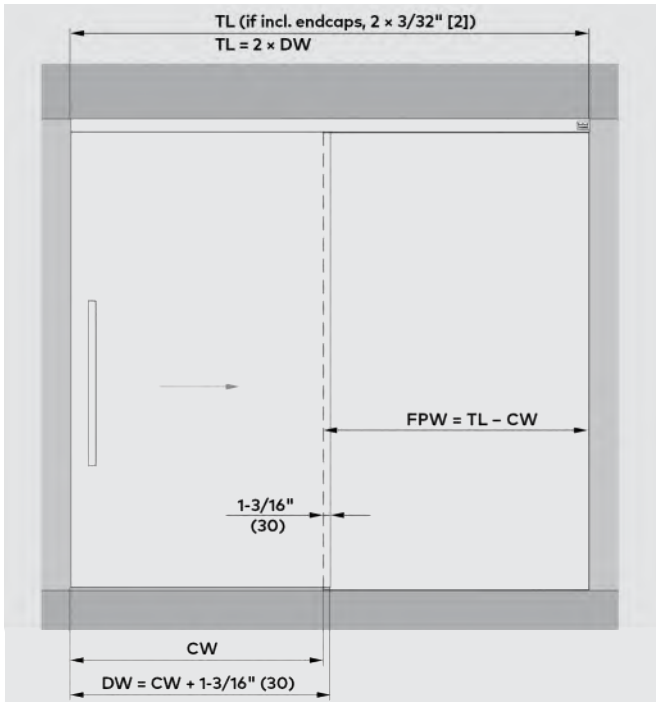
Mounted to ceiling (CE-S)



Premium XL 120 Self-Closing (SC)

Typical assemblies mounted to or in ceiling with one sliding panel and fixed panel on one side

Note: XL 120 SC includes DORMOTION standard in the closing cycle, optional (DMSC) for opening cycle.



Features and data

For installation with one sliding door panel and one fixed panel, mounted to ceiling or in ceiling; for 5/16"–9/16" (8 –13.5) thick glass.

Max weight of door panels

264 lb (120 kg)

Calculation of glass width

$DW = CW + 1-3/16" (30)$

	XL 120 SC
min DW	33-1/2" (850)
max DW	57" (1448)

Calculation of glass height

(CE-S/CE-R)

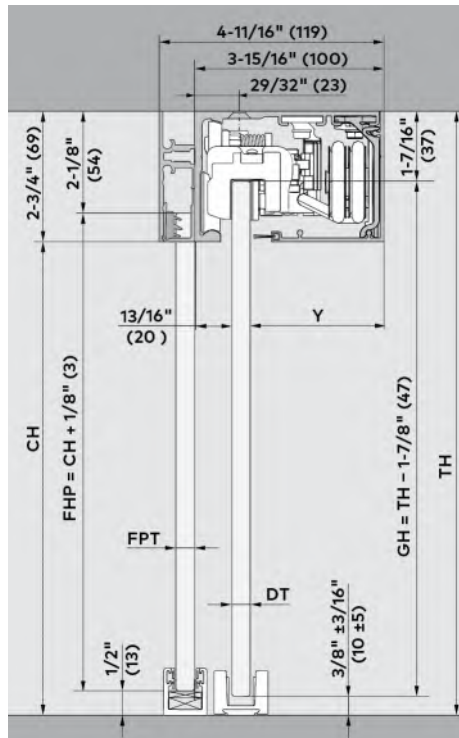
$GH = TH - 1-7/8" (47)$

$FPH = CH + 1/8" (3)$

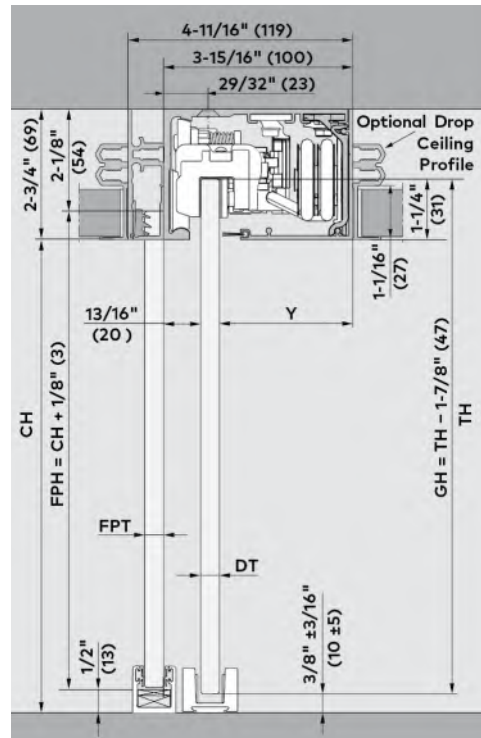
max 118-1/8" (3000)

- DW** = Glass width
- TL** = Track length
- GH** = Glass height sliding door
- FPH** = Fixed panel (sidelite) height
- TH** = Total height
- CH** = Clear opening height
- CW** = Clear opening width
- FPW** = Fixed panel (sidelite) width
- DT** = Door (glass) thickness
- FPT** = Fixed panel (glass) thickness
- Y** = 3-15/16" (100) – 13/16" (20) – DT

Mounted to ceiling (CE-S)

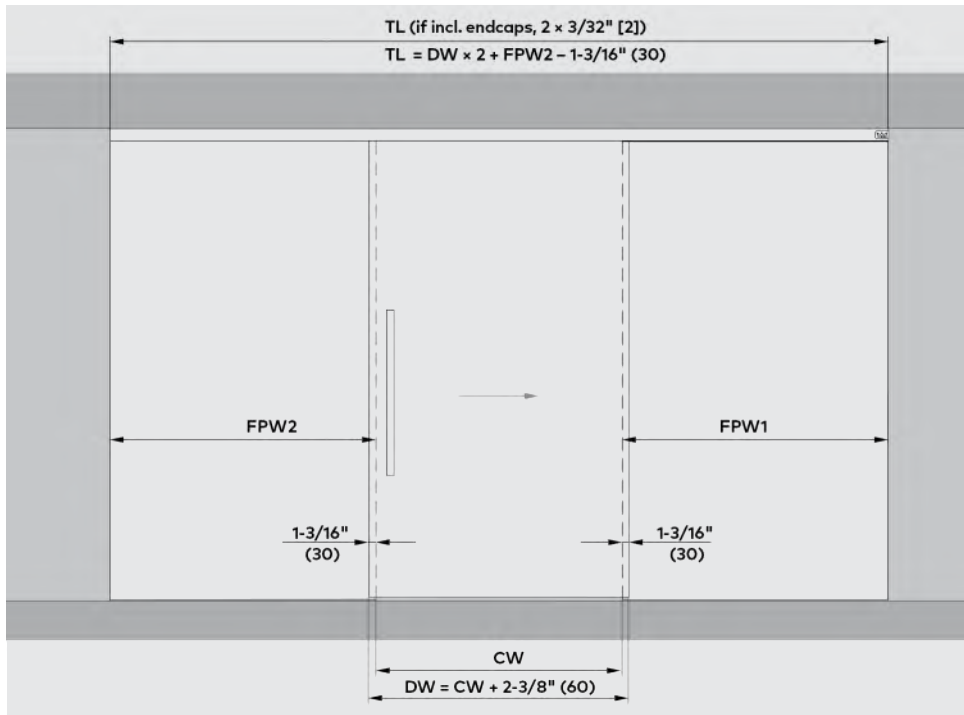


Mounted in ceiling (CE-R)



Premium XL 120 Self-Closing (SC)

Typical assemblies mounted to or in ceiling with one sliding panel and fixed panels on both sides



Note: XL 120 SC includes DORMOTION standard in the closing cycle, optional (DMSC) for opening cycle.

Features and data

For installation with one sliding door panel and fixed panels on both sides, mounted to ceiling or in drop ceiling; for 5/16"–9/16" (8–13.5) thick glass.

Max weight of door panels

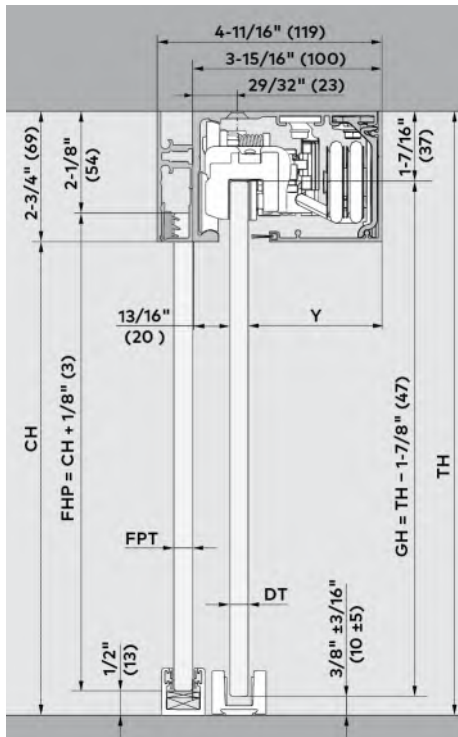
264 lb (120 kg)

Calculation of glass width

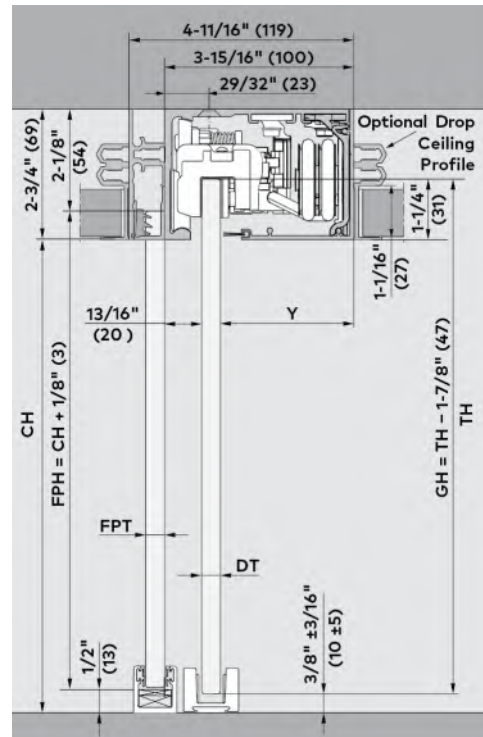
$DW = CW + 2-3/8''$ (60)

	XL 120 SC
min DW	33-1/2" (850)
max DW	57" (1448)

Mounted to ceiling (CE-S)



Mounted in ceiling (CE-R)



Calculation of glass height (CE-S/CE-R)

$GH = TH - 1-7/8''$ (47)

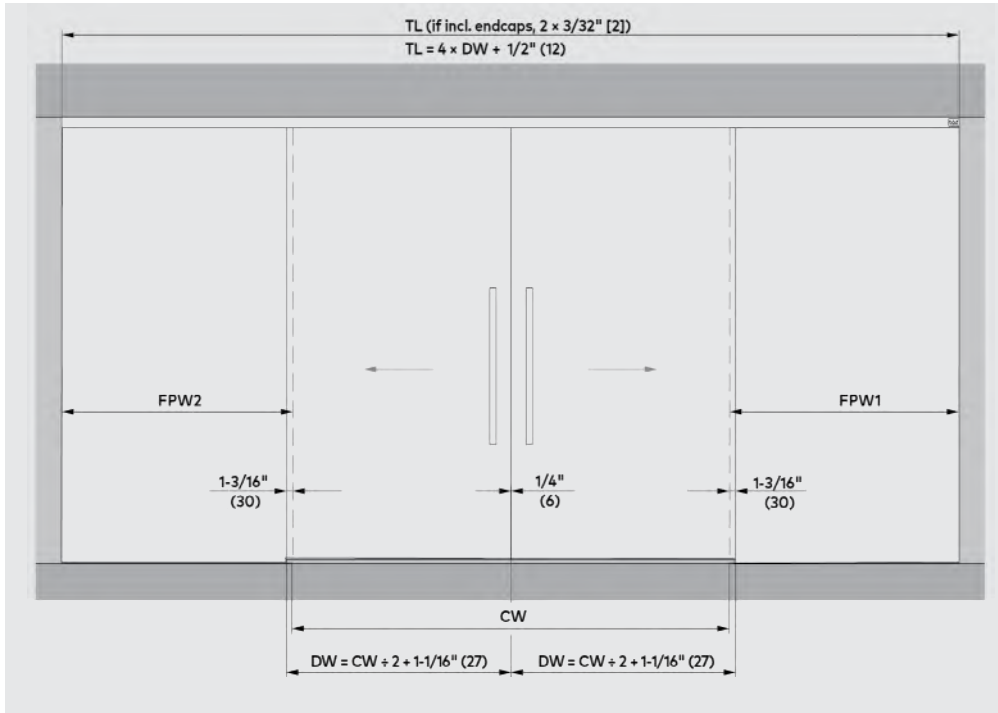
$FPH = CH + 1/8''$ (3)

max 118-1/8" (3000)

- DW = Glass width
- TL = Track length
- GH = Glass height sliding door
- FPH = Fixed panel (sidelite) height
- TH = Total height
- CH = Clear opening height
- CW = Clear opening width
- FPW1 = Fixed panel (sidelite) width 1
- FPW2 = Fixed panel (sidelite) width 2
- DT = Door (glass) thickness
- FPT = Fixed panel (glass) thickness
- Y = $3-15/16''$ (100) - $13/16''$ (20) - DT

Premium XL 120 Self-Closing (SC)

Typical assemblies mounted to or in ceiling with two sliding panels with fixed panels on both sides



Note: XL 120 SC includes DORMOTION standard in the closing cycle, optional (DMSC) for opening cycle.

Features and data

For installation with two sliding door panels with fixed panels on each side, mounted to ceiling or in ceiling; for 5/16"-9/16" (8 -13.5) thick glass

Max weight of door panels

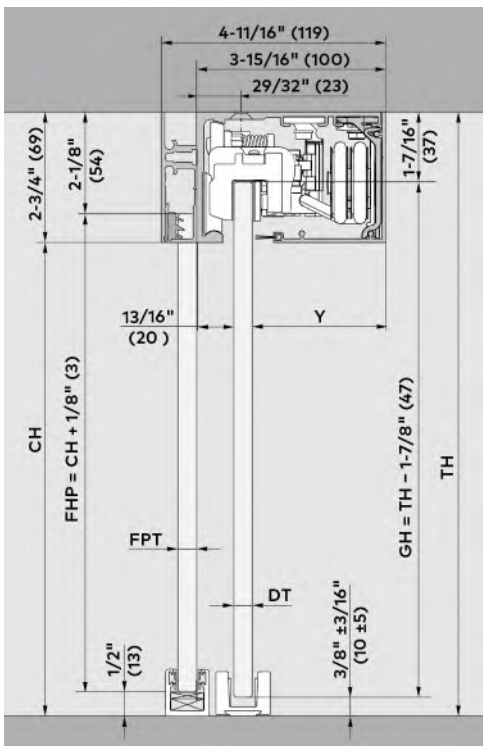
264 lb (120 kg)

Calculation of glass width

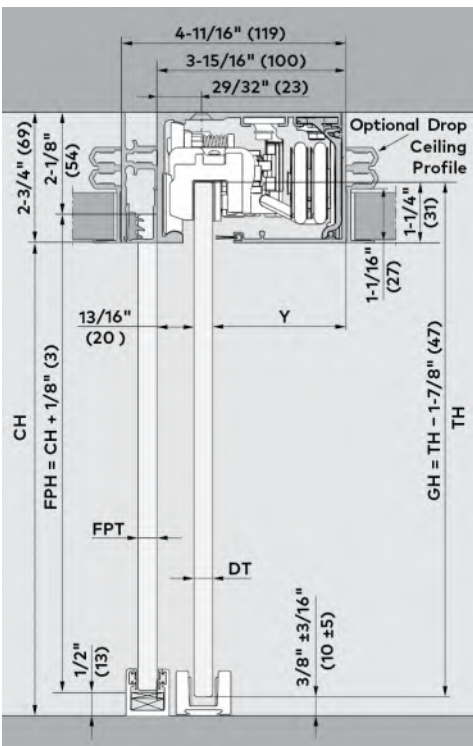
$DW = CW + 2 + 1-1/16" (27)$

	XL 120 SC
min 2P DW	2 x 33-1/2" (850)
max 2P DW	2 x 57" (1448)

Mounted to ceiling (CE-S)



Mounted in drop ceiling (CE-R)



Calculation of glass height (CE-S/CE-R)

$GH = TH - 1-7/8" (47)$

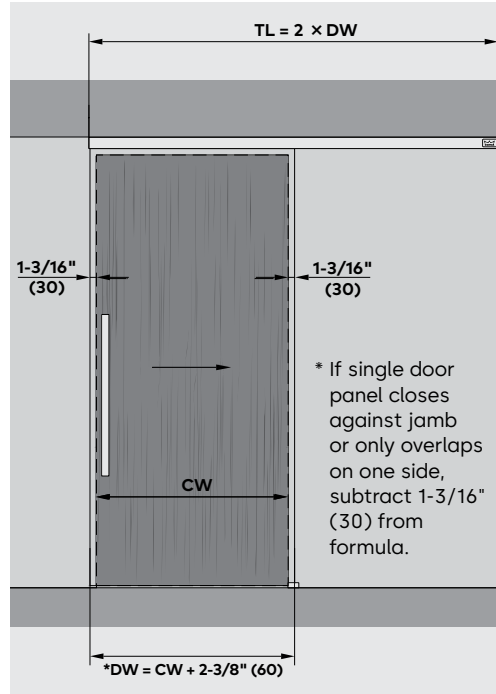
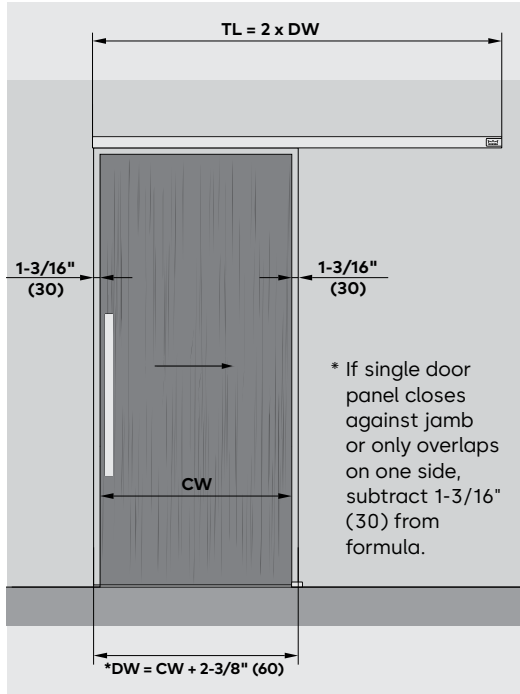
$FPH = CH + 1/8" (3)$

max 118-1/8" (3000)

- DW = Glass width
- TL = Track length
- GH = Glass height sliding door
- FPH = Fixed panel (sidelite) height
- TH = Total height
- CH = Clear opening height
- CW = Clear opening width
- FPW1 = Fixed panel (sidelite) width 1
- FPW2 = Fixed panel (sidelite) width 2
- DT = Door (glass) thickness
- FPT = Fixed panel (glass) thickness
- Y = 3-15/16" (100) - 13/16" (20) - DT

Premium XL 120 Self-Closing (SC)

Typical assemblies for wood doors



Features and data

For installations with wood doors; mounted to wall or ceiling; for 1-1/8" – 1-31/32" (28 – 50) thick wood doors

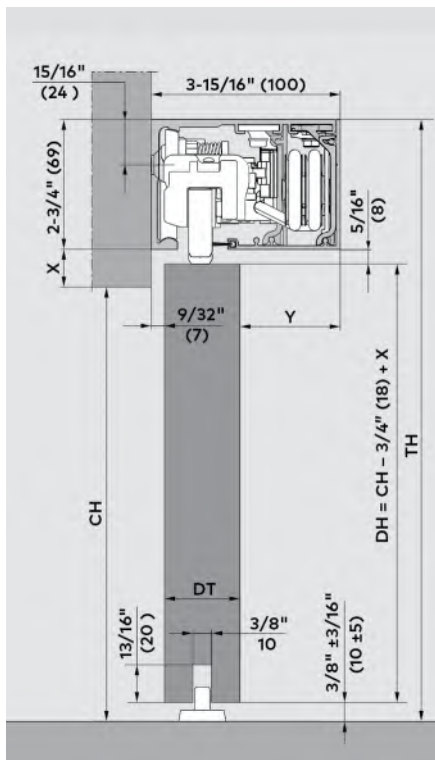
Max weight of door panels
264 lb (120 kg)

Calculation of door height
 $DH = CH - 3/4" (18) + X$ (wall)
 $DH = TH - 3-7/16" (87)$ (ceiling)
 max 118-1/8" (3000)

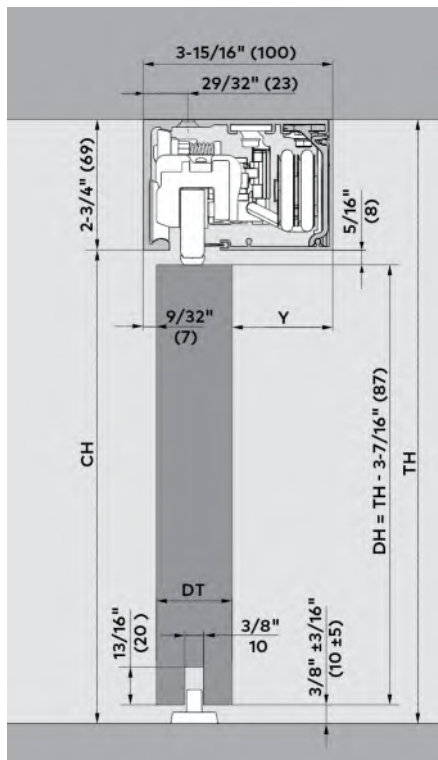
Calculation of door width
 $DW = CW + 2-3/8" (60)$

- DW** = Door width
- TL** = Track length
- TH** = Total height
- CH** = Clear opening height
- CW** = Clear opening width
- DH** = Door height
- DT** = Door (wood) thickness
- Y** = 3-15/16" (100) – 5/16" (7) – DT
- X** = Bottom of track channel to top of clear opening

Mounted to wall (W)



Mounted to or in ceiling (CE-S/CE-R)

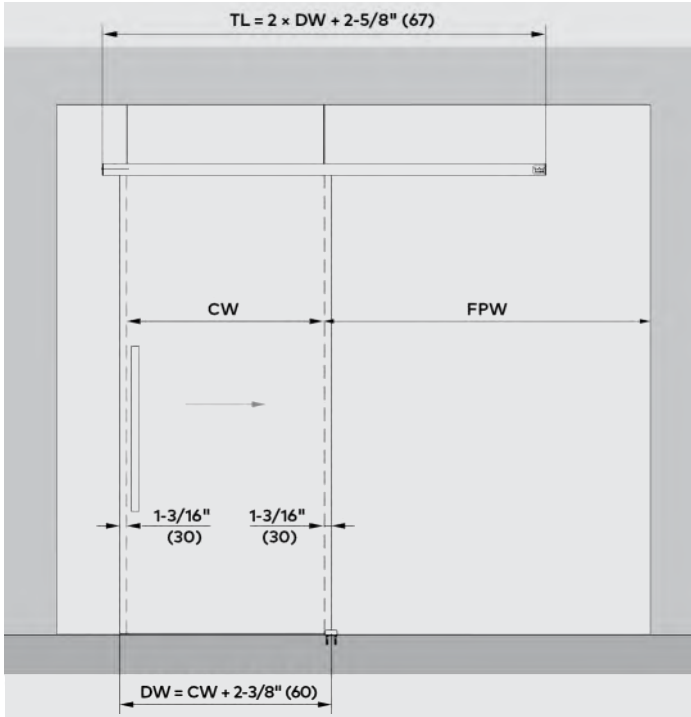


	XL 120 SC
min DW	33-1/2" (850)
max DW	60" (1524)
max 2P DW	2 x 60" (1524)

Note: XL 120 SC includes DORMOTION standard in the closing cycle, optional (DMSC) for opening cycle.

Premium XL 120 Self-Closing (SC)

Typical assemblies mounted on glass with one sliding panel



Note: To ensure a correct and aligned mounting of the track rail, a full supporting fixed panel must be installed.

Note: XL 120 SC includes DORMOTION standard in the closing cycle, optional (DMSC) for opening cycle.

Features and data

For installation with one sliding panel mounted on glass; for 5/16"–9/16" (8 –13.5) thick glass

Max weight of door panels

264 lb (120 kg)

Calculation of glass height

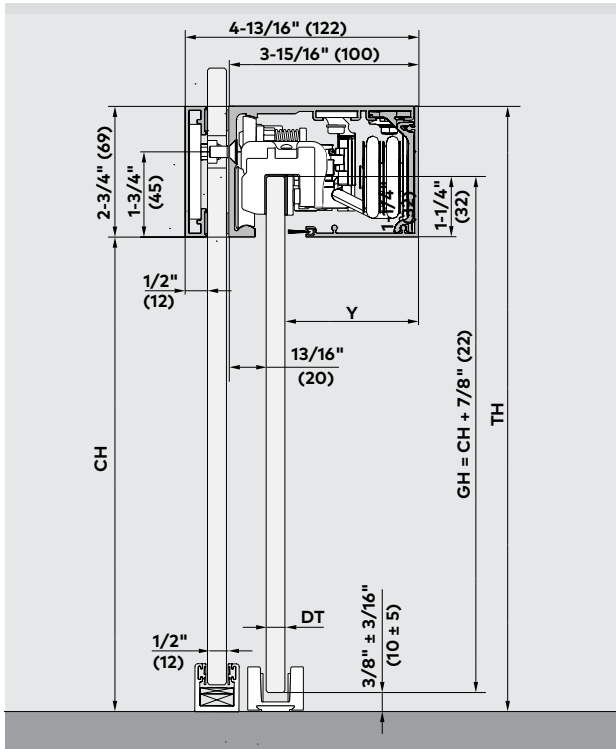
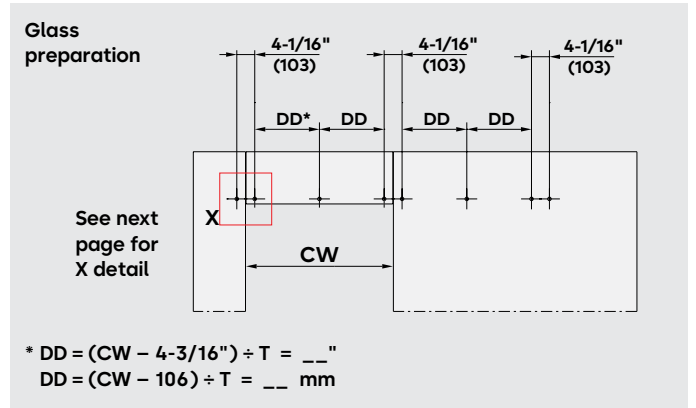
$GH = CH + 7/8" (22)$

max 118-1/8" (3000)

Calculation of glass width

$DW = CW + 2-3/8" (60)$

	XL 120 SC
min DW	33-1/2" (850)
min CW	31-1/8" (790)
max DW	57" (1448)
max CW	54-5/8" (1388)



Calculation example

$DD = (35-7/16" - 4-3/16") \div 3 = 10-7/16"$

$DD = (900 - 106) \div 3 = 265$

T = Formula Value

Z = Quantity of holes to drill

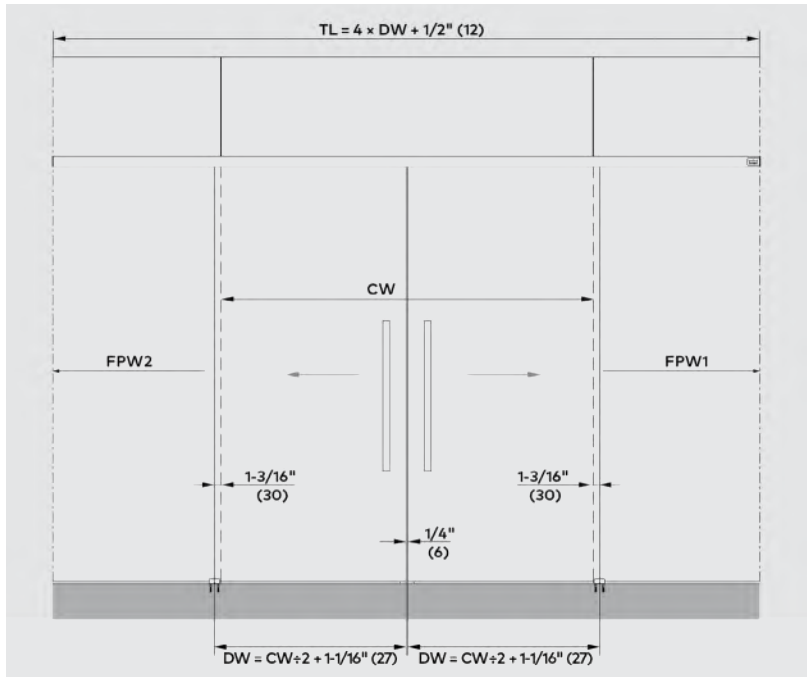
The total quantity of holes (Z) depends on clear opening width (CW) and determines the final drilling distance (DD).

	T	Z
$CW \geq 23-5/8" (600)$ $\leq 31-1/2" (800)$	2	8
$CW > 31-1/2" (800)$ $\leq 39-3/8" (1000)$	3	10
$CW > 39-3/8" (1000)$ $\leq 47-1/4" (1200)$	4	12
$CW > 47-1/4" (1200)$ $\leq 54-5/8" (1388)$	5	14

- Use the equation to determine (DD) drilling distance (hole spacing) at defined (DD) locations.
- Provide (CW) clear opening width to determine value for (T).
- Insert value for (T) to formula equation to calculate (DD) drilling distance.

Premium XL 120 Self-Closing (SC)

Typical assemblies mounted on glass with two sliding panels



Note: XL 120 SC includes DORMOTION standard in the closing cycle, optional (DMSC) for opening cycle.

Features and data

For installation with two sliding panels mounted on glass; for 5/16"–9/16" (8–13.5) thick glass

Max weight of door panels

264 lb (120 kg)

Calculation of glass height

$$GH = CH + 7/8" (22)$$

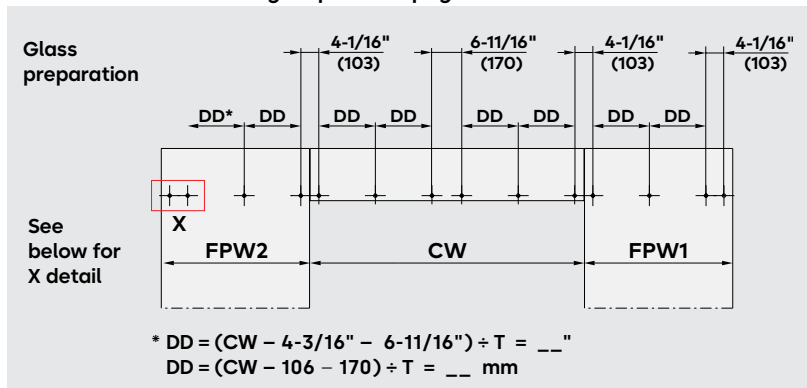
max 118-1/8" (3000)

Calculation of glass width

$$DW = CW \div 2 + 1-1/16" (27)$$

	XL 120 SC
min DW	33-1/2" (850)
min CW	64-13/16" (1646)
max DW	57" (1448)
max 2P DW	2 x 57" (1448)
max CW	111-7/8" (2842)

Refer to Elevation drawing on previous page.



	T	Z
$CW \geq 47-1/4" (1200)$	4	14
$\leq 59-1/16" (1500)$		
$CW > 59-1/16" (1500)$	6	18
$\leq 78-3/4" (2000)$		
$CW > 78-3/4" (2000)$	8	22
$\leq 111-7/8" (2842)$		

Calculation example

$$DD = (55-1/8" - 4-3/16" - 6-11/16") \div 4 = 11-1/16"$$

$$DD = (1400 - 106 - 170) \div 4 = 281$$

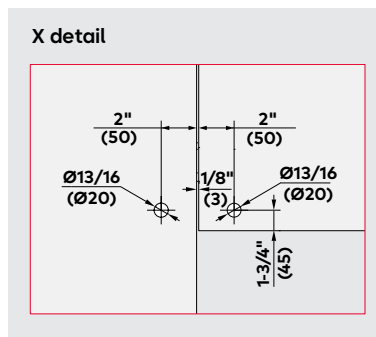
T = Formula Value

Z = Quantity of holes to drill

The total quantity of holes (Z) depends on clear opening width (CW) and determines the final drilling distance (DD).

- Use the equation to determine (DD) drilling distance (hole spacing) at defined (DD) locations.
- Provide (CW) clear opening width to determine value for (T).
- Insert value for (T) to formula equation to calculate (DD) drilling distance.

- DW = Glass width
- Z = Quantity of drillings
- TL = Track length
- DD = Drilling distance
- TH = Total height
- CH = Clear opening height
- CW = Clear opening width
- GH = Door height
- FPW = Fixed panel (glass) width
- T = Formula value to determine DD
- DT = Door (glass) thickness
- FPT = Fixed panel (sidelite) thickness
3/8" – 3/4" (10 – 19)
- Y = 3-15/16" (100) – 13/16" (20) – DT

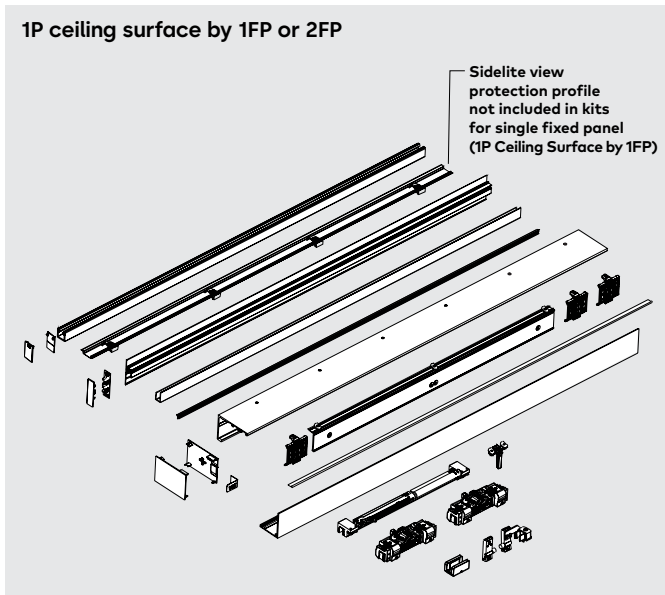


Premium XL 120 Self-Closing (SC)

Sliding door sets with one sliding panel and one or two fixed panels,

Incl. track/endcaps, cover, cover clips, gasket, end stops, roller carriers, DORMOTION, DM start/stops, floor guide, sidelite profile and gasket, sidelite filler profile, sidelite endcaps, U-Channel and gasket, and sidelite mounting hardware. (Sidelite view profile included if appropriate.)

Complete accessories for 5/16"–9/16" (8 –13.5) thick glass. XL 120 DM max 264 lb (120 kg).

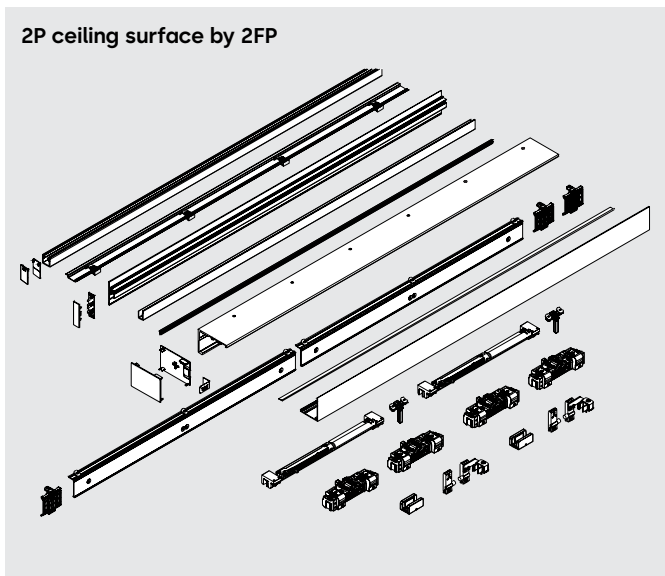


1P ceiling surface by 1FP – Set for ceiling surface installation with one sliding panel and one fixed panel.

	Min panel width	Min clear opening width	Max panel width ²	Max clear opening width ²	Max track length ²	Ref. No.
1P XL 120 SC CE-S 1FP						
MTO	33-1/2" (850)	31-1/8" (790)	57" (1448)	54-5/8" (1388)	157-1/2" (4000)	RH 236.690 LH 236.692

1P ceiling surface by 2FP – Set for ceiling surface installation with one sliding panel and two fixed panels.

	Min panel width	Min clear opening width	Max panel width ²	Max clear opening width ²	Max track length ²	Ref. No.
1P XL 120 SC CE-S 2FP						
MTO	33-1/2" (850)	31-1/8" (790)	57" (1448)	54-5/8" (1388)	157-1/2" (4000)	RH 236.694 LH 236.696



2P ceiling surface by 2FP – Set for ceiling surface installation with two sliding panels and two fixed panels.

	Min panel width	Min clear opening width	Max panel width ²	Max clear opening width ²	Max track length ²	Ref. No.
2P XL 120 SC CE-S 2FP						
MTO	33-1/2" (850)	31-1/8" (790)	57" (1448)	54-5/8" (1388)	157-1/2" (4000)	236.698

² For 157-1/2" track lengths, only 154" are useable. Max wood door sizes can be increased by 3" (76), MTO only.

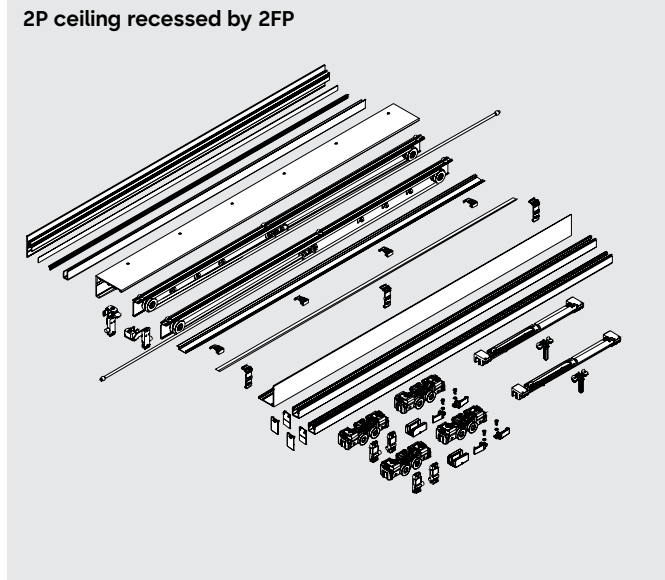
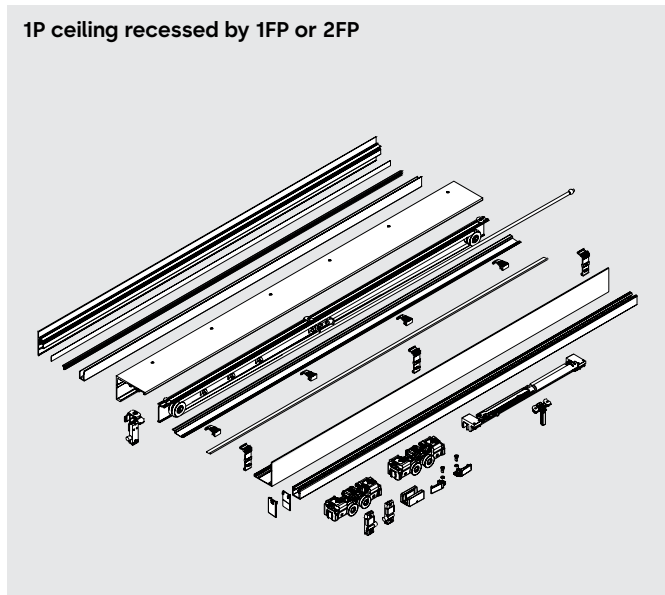
Note: Refer to Component parts section for wood door adapter options.

Premium XL 120 Self-Closing (SC)

Sliding door sets with one sliding panel and one or two fixed panels, ceiling recessed installation

Incl. track/endcaps, cover, cover clips, gasket, end stops, roller carriers, DORMOTION, DM start/stops, floor guide, sidelite profile and gasket, sidelite filler profile, sidelite endcaps, U-Channel and gasket, and sidelite mounting hardware. (Sidelite view profile included if appropriate.)

Complete accessories for 5/16"–9/16" (8 –13.5) thick glass. XL 120 DM max 264 lb (120 kg).



Note: Refer to Component parts section for wood door adapter options.

1P ceiling recessed by 1FP – Set for ceiling recessed installation with one sliding panel and one fixed panel.

	Min panel width	Min clear opening width	Max panel width ²	Max clear opening width ²	Max track length ²	Ref. No.
1P XL 120 SC CE-R 1FP						
MTO	33-1/2" (850)	31-1/8" (790)	57" (1448)	54-5/8" (1388)	157-1/2" (4000)	RH 236.691 LH 236.693

1P ceiling recessed by 2FP – Set for ceiling recessed installation with one sliding panel and two fixed panels.

	Min panel width	Min clear opening width	Max panel width ²	Max clear opening width ²	Max track length ²	Ref. No.
1P XL 120 SC CE-R 2FP						
MTO	33-1/2" (850)	31-1/8" (790)	57" (1448)	54-5/8" (1388)	157-1/2" (4000)	RH 236.695 LH 236.697

2P ceiling recessed by 2FP – Set for ceiling recessed installation with two sliding panels and two fixed panels.

	Min panel width	Min clear opening width	Max panel width ²	Max clear opening width ²	Max track length ²	Ref. No.
2P XL 120 SC CE-R 2FP						
MTO	33-1/2" (850)	31-1/8" (790)	57" (1448)	54-5/8" (1388)	157-1/2" (4000)	236.699

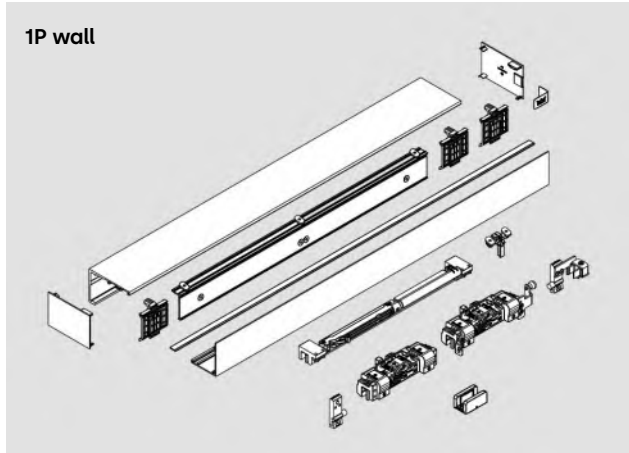
² For 157-1/2" track lengths, only 154" are useable.
Max wood door sizes can be increased by 3" (76), MTO only.

Premium XL 120 Self-Closing (SC)

Sliding door sets with one sliding panel

Incl. track/endcaps, cover, cover clips, gasket, end stops, roller carriers, DORMOTION, DM start/stops, and floor guide. Complete accessories for 5/16"–9/16" (8 –13.5) thick glass.

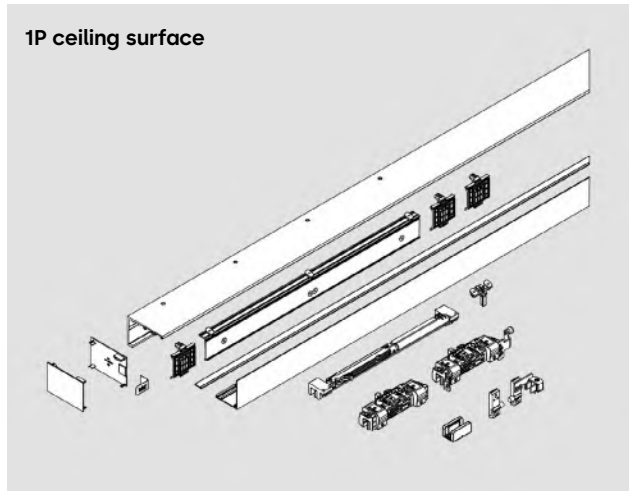
XL 120 DM max 264 lb (120 kg).



1P wall

1P wall installation – Set for wall installation with one sliding panel.

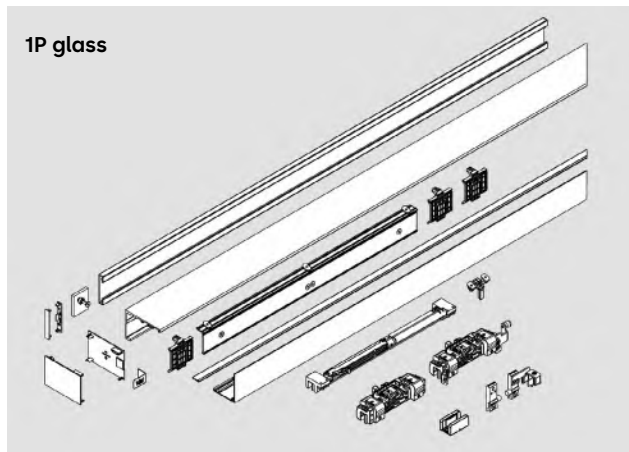
	Min panel width	Min clear opening width	Max panel width ²	Max clear opening width ²	Max track length ²	Ref. No.
1P XL 120 SC W						
MTO	33-1/2" (850)	31-1/8" (790)	57" (1448)	54-5/8" (1388)	157-1/2" (4000)	RH 836.620 LH 836.621



1P ceiling surface

1P ceiling surface installation – Set for ceiling surface installation with one sliding panel.

	Min panel width	Min clear opening width	Max panel width ²	Max clear opening width ²	Max track length ²	Ref. No.
1P XL 120 SC CE-R 2FP						
MTO	33-1/2" (850)	31-1/8" (790)	57" (1448)	54-5/8" (1388)	157-1/2" (4000)	RH 836.622 LH 836.623



1P glass

1P glass installation – Set for glass installation with one sliding panel.

	Min panel width	Min clear opening width	Max panel width ²	Max clear opening width ²	Max track length ²	Ref. No.
2P XL 120 SC CE-R 2FP						
MTO	33-1/2" (850)	31-1/8" (790)	57" (1448)	54-5/8" (1388)	157-1/2" (4000)	RH 836.624 LH 836.625

² For 157-1/2" track lengths, only 154" are useable.
Max wood door sizes can be increased by 3" (76), MTO only.

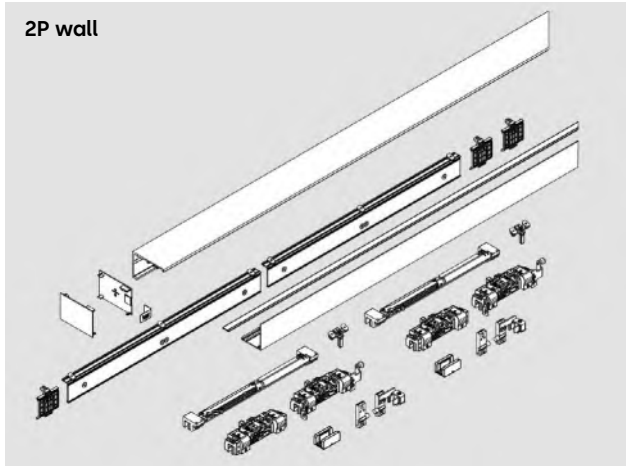
Note: Refer to Component parts section for wood door adapter options.

Premium XL 120 Self-Closing (SC)

Sliding door sets with two sliding panels

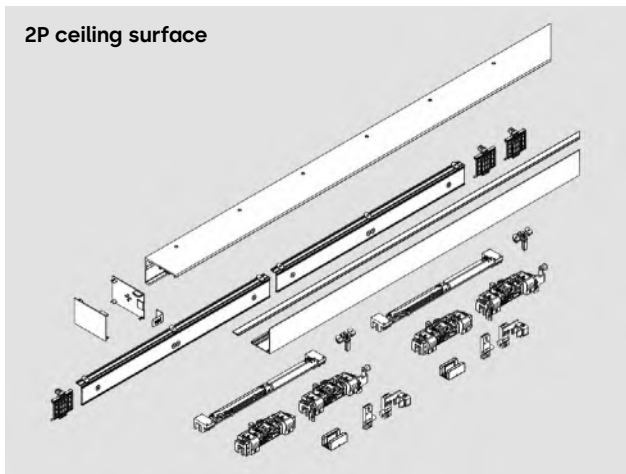
Incl. track/endcaps, cover, cover clips, gasket, end stops, roller carriers, DORMOTION, DM start/stops, and floor guide. Complete accessories for 5/16"–9/16" (8–13.5) thick glass.

XL 120 DM max 264 lb (120 kg).



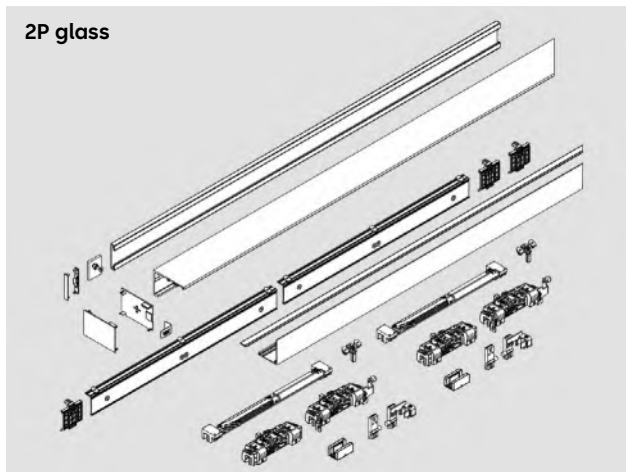
2P wall installation – Set for wall installation with two sliding panels.

	Min panel width	Min clear opening width	Max panel width ²	Max clear opening width ²	Max track length ²	Ref. No.
2P XL 120 SC W						
MTO	33-1/2" (850)	64-13/16" (1646)	57" (1448)	111-7/8" (2842)	157-1/2" (4000)	836.626



2P ceiling surface installation – Set for ceiling surface installation with two sliding panels

	Min panel width	Min clear opening width	Max panel width ²	Max clear opening width ²	Max track length ²	Ref. No.
2P XL 120 SC CE-S						
MTO	33-1/2" (850)	64-13/16" (1646)	57" (1448)	111-7/8" (2842)	157-1/2" (4000)	836.627



2P glass installation – Set for glass installation with two sliding panels.

	Min panel width	Min clear opening width	Max panel width ²	Max clear opening width ²	Max track length ²	Ref. No.
2P XL 120 SC G						
MTO	33-1/2" (850)	64-13/16" (1646)	57" (1448)	111-7/8" (2842)	157-1/2" (4000)	836.628

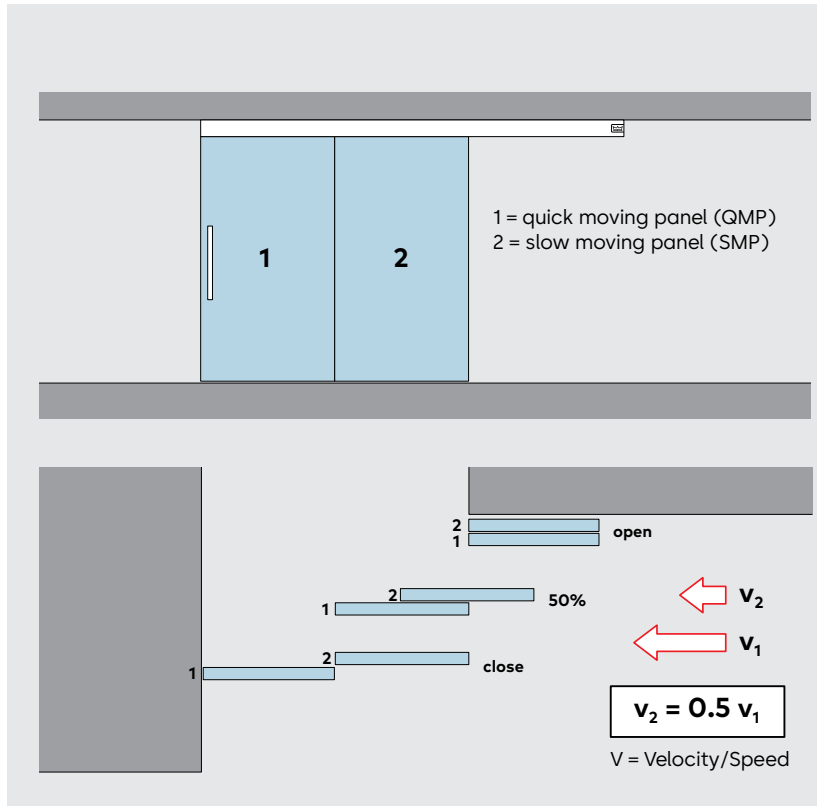
² For 157-1/2" track lengths, only 154" are useable.
Max wood door sizes can be increased by 3" (76), MTO only.

Note: Refer to Component parts section for wood door adapter options.

Premium XL 80 Telescopic (TEL)

Large clear openings; small space requirement

Quick and slow moving panels



Features

- Telescopic functionality
- Synchronized panels (simultaneous) movement of panel 1 (quick moving panel) and panel 2 (slow moving panel)—slow moving panel \leq half speed of panel 1
- DORMOTION functionality (optional)
- Status indicator (optional)

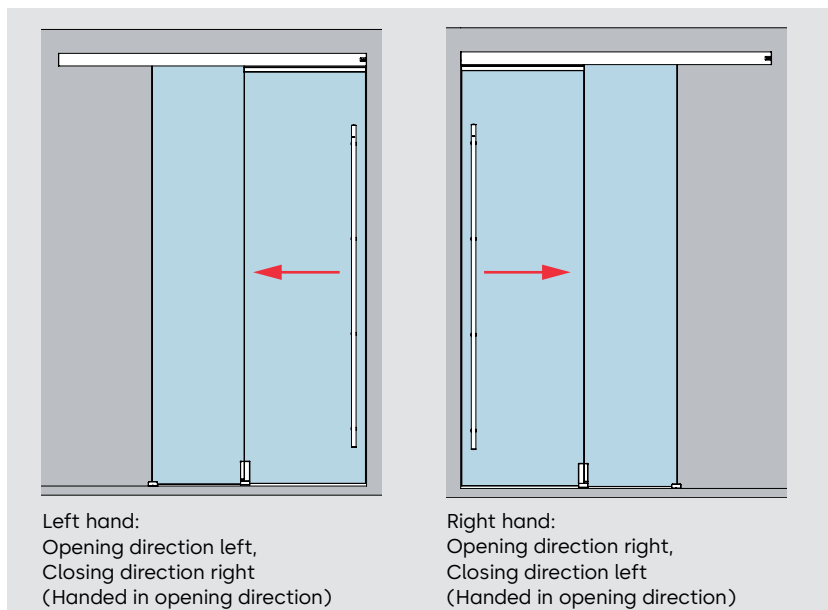
Hassle-free and uncomplicated ordering

- Quick (QMP) and slow (SMP) panels are clamped—no additional glass preparation required
- Easy glass preparation for mounting the moving floor guide

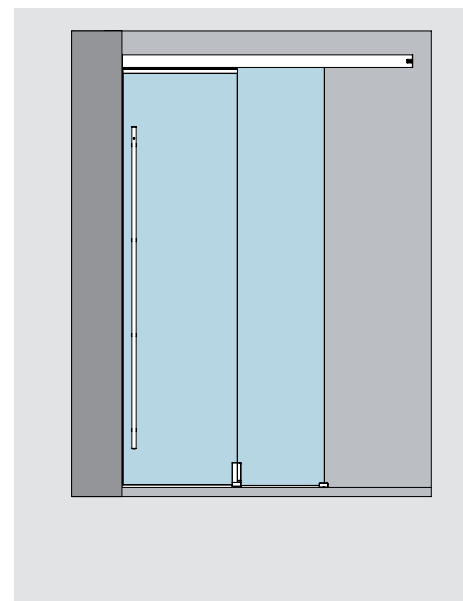
Many application choices

- Wall installation
- Ceiling installation
- Ceiling installation with sidelites and for closing against 90° jamb
- Installation to glass transom/sidelites
- Support for TLG (tempered laminated glass) due to Clamp & Glue technology
- Applicable for both glass and wood panels (wood panels require wood adapter set; see accessories section)
- Max 2 × 176 lb (80 kg) resp, 4 × 176 lb (80 kg)
- Support for glass thicknesses from 5/16"–9/16" (8–13.5)

Opening directions



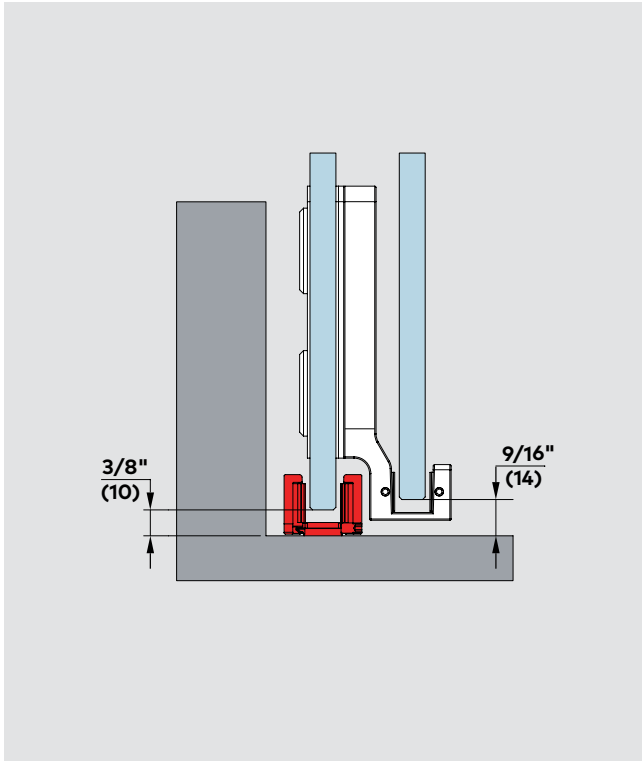
Closing against 90° jamb



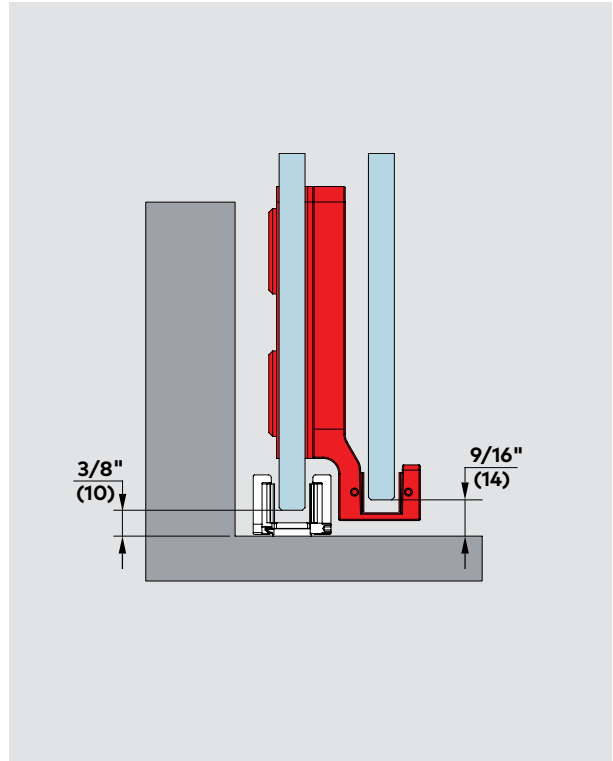
Premium XL 80 Telescopic (TEL)

Installing moving floor guide (requires glass preparation)

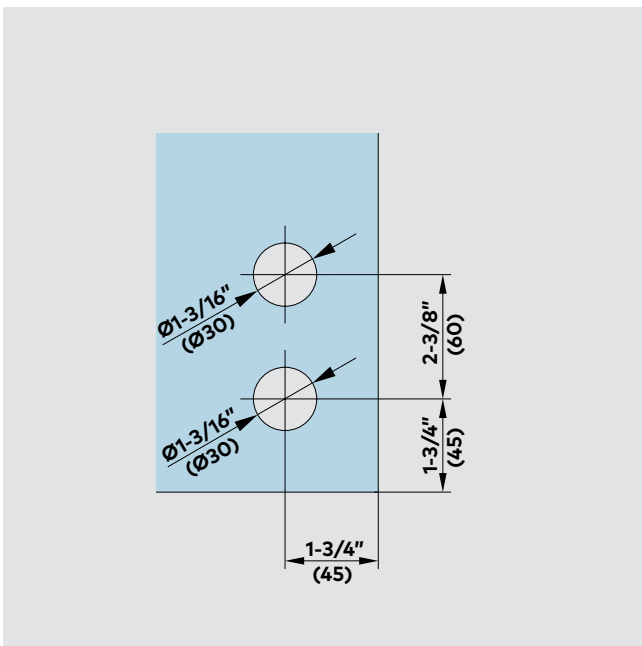
Standard fixed floor guide for guiding the slow moving panel



Moving floor guide for guiding the fast moving panel



Glass preparation for moving floor guide



Premium XL 80 Telescopic (TEL)

Wide openings with small panels

Unless indicated otherwise, all measurements are shown in inches (mm).

Panel width min.* — 23-5/8" (600)

Panel width max.* — 50-21/32" (1287)

Panel sizing chart

without DORMOTION										
	without handle	with handle	without handle	with handle	without handle	with handle	without handle	with handle	without handle	with handle
Min panel width	23-5/8" (600)	26-3/16" (665)	23-5/8" (600)	26-3/16" (665)	23-5/8" (600)	27-1/32" (687)	23-5/8" (600)	27-1/32" (687)	23-5/8" (600)	26-3/16" (665)
Clear opening width	43-23/32" (1110)	43-23/32" (1110)	90" (2286)	90" (2286)	68-29/32" (1750)	68-29/32" (1750)	137-21/32" (3496)	137-21/32" (3496)	45-3/32" (1145)	45-3/32" (1145)
Max panel width	47-1/4" (1200)	49-13/16" (1265)	39-3/8" (1000)	41-15/16" (1065)	47-1/4" (1200)	50-21/32" (1287)	39-3/8" (1000)	42-13/16" (1087)	47-1/4" (1200)	49-13/16" (1265)
Clear opening width	90-15/16" (2310)	90-15/16" (2310)	153" (3886)	153" (3886)	139-3/4" (3550)	139-3/4" (3550)	232-1/8" (5896)	232-1/8" (5896)	92-5/16" (2345)	92-5/16" (2345)

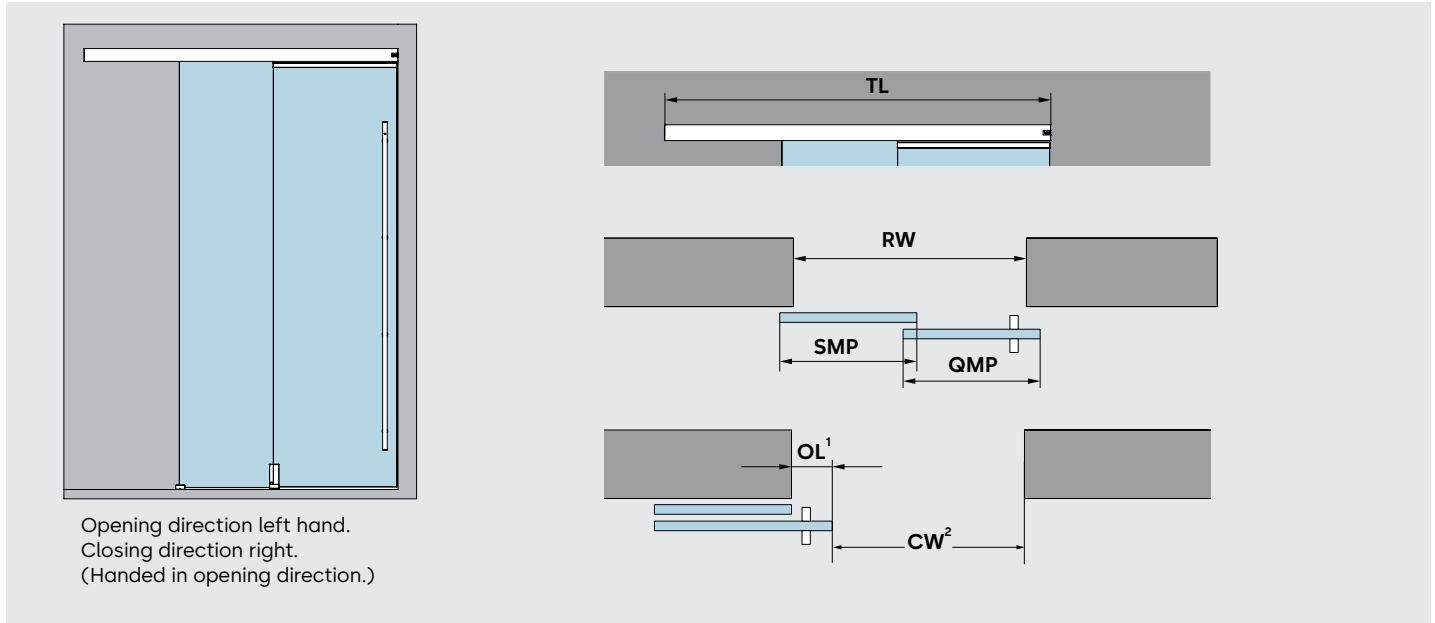
with DORMOTION										
	without handle	with handle	without handle	with handle	without handle	with handle	without handle	with handle	without handle	with handle
Min panel width	31-3/32" (790)	33-21/32" (855)	31-3/32" (790)	33-21/32" (855)	31-3/32" (790)	34-17/32" (877)	31-3/32" (790)	34-17/32" (877)	31-3/32" (790)	33-21/32" (855)
Rough opening width	58-21/32" (1490)	58-21/32" (1490)	119-15/16" (3046)	119-15/16" (3046)	91-11/32" (2320)	91-11/32" (2320)	182-17/32" (4636)	182-17/32" (4636)	60" (1525)	60" (1525)
Max panel width	47-1/4" (1200)	49-13/16" (1265)	39-3/8" (1000)	41-15/16" (1065)	47-1/4" (1200)	50-21/32" (1287)	39-3/8" (1000)	42-13/16" (1087)	47-1/4" (1200)	49-13/16" (1265)
Rough opening width	90-15/16" (2310)	90-15/16" (2310)	153" (3886)	153" (3886)	139-3/4" (3550)	139-3/4" (3550)	232-1/8" (5896)	232-1/8" (5896)	92-5/16" (2345)	92-5/16" (2345)

* Depending on installation related to quick moving panel (see detailed overview).

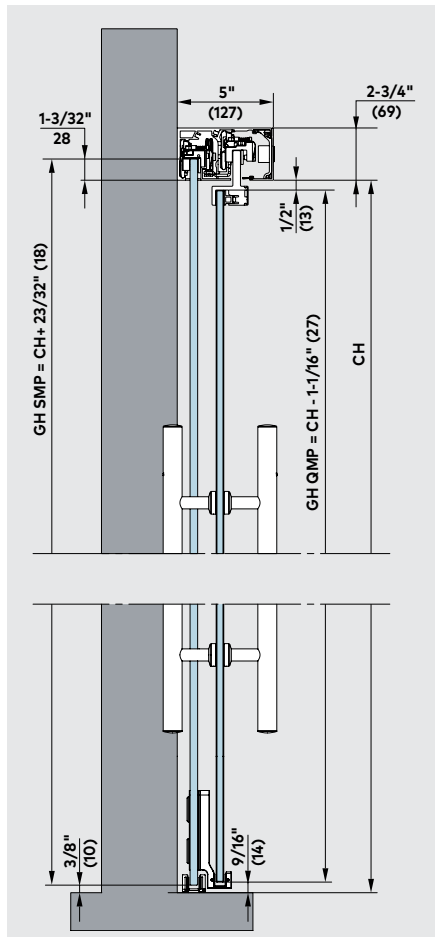
** Glass sidelite

Premium XL 80 Telescopic (TEL)

Typical assemblies mounted to wall

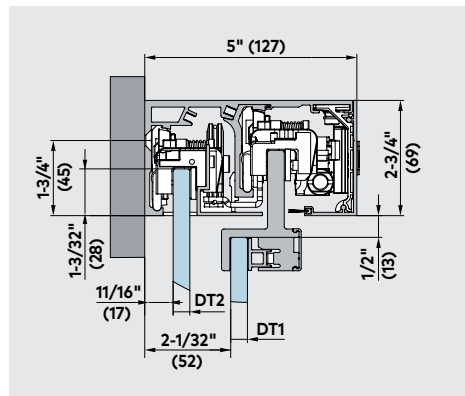


Mounted to wall



1 OL recommended at 4-15/16" (125), which is 2-15/16" (75) from leading edge of QMP. This allows 1-3/16" (30) clearance on both sides of handle in addition to 1-3/16" (30) overlap on jamb side. Example is using 1-3/8" (35) handle thickness. Refer to AHJ (authority having jurisdiction) as requirements can vary.

2 CW can be jamb to jamb, equal to RW if flush pull is used. Using two equal width doors allows both panels to open flush with jamb.



- TL = Track length
- GH SMP = Glass height slow moving panel
- GH QMP = Glass height quick moving panel
- CH = Clear opening height
- RW = Rough opening width
- SMP = Slow moving panel
- QMP = Quick moving panel
- DT = Glass (door) thickness
- OL = Overlap for handle
- CW = Clear opening width
- DT1 = Door thickness (fast panel)
- DT2 = Door thickness (slow panel)

Features and data

For installation with two door panels mounted to wall. 5/16"–9/16" (8–13.5) glass thickness. Optional DORMOTION unit.

Max weight of door panels

176 lb (80 kg)

Calculation of track length

2 panels:

$$TL = (1.5 \times RW - (OL / 2)) + 3 - 11/32" \quad (85)$$

Bi-parting 4 panels:

$$TL = 1.5 \times RW - OL + 2 - 5/8" \quad (67)$$

Calculation of glass width

2 panels:

$$SMP = (RW - OL + 3 - 17/32" [90]) / 2$$

$$QMP = SMP + OL$$

Bi-parting 4 panels:

$$SMP = (RW - (2 \times OL) + 4 - 1/2" [114]) / 4$$

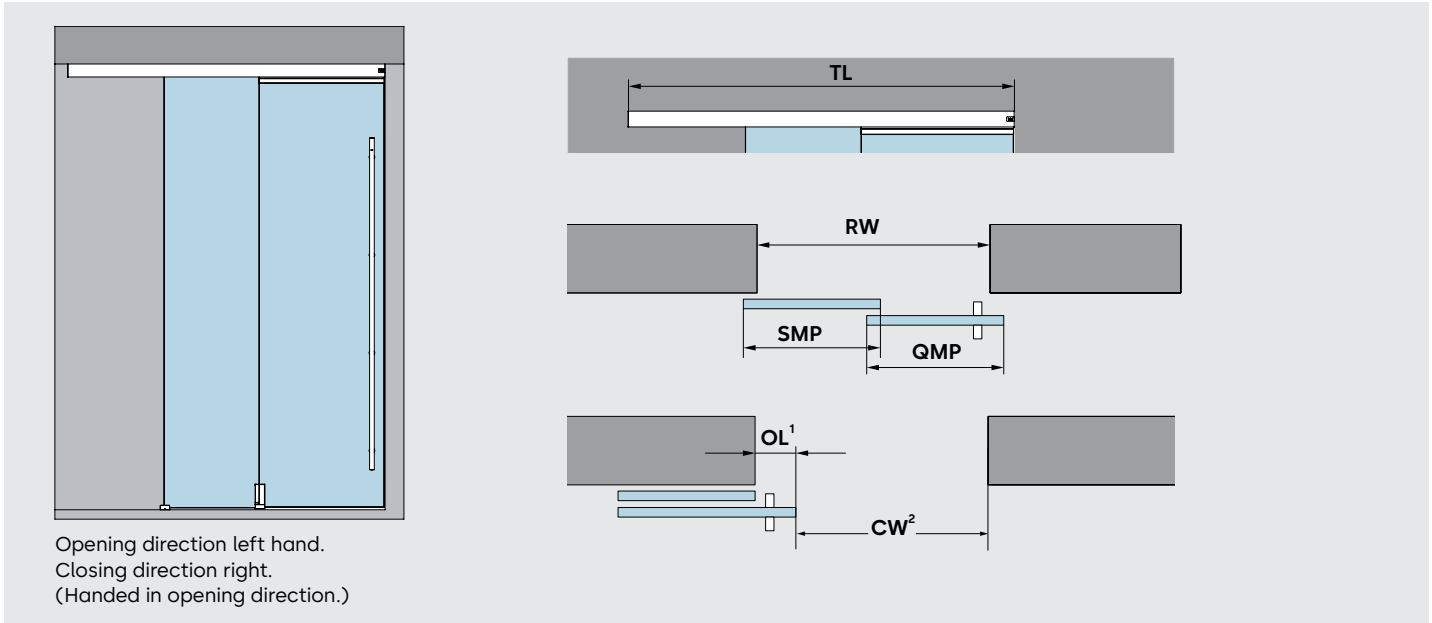
Calculation of glass height

$$GH \text{ SMP} = CH + 23/32" \quad (18)$$

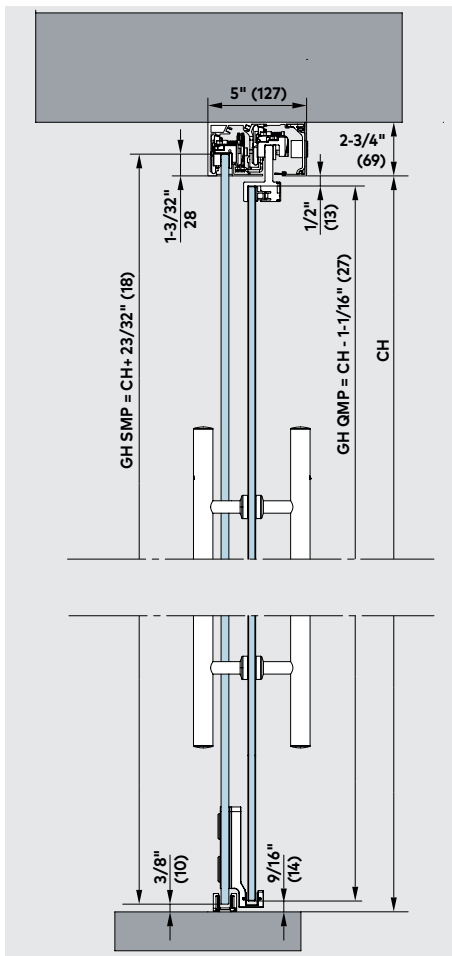
$$GH \text{ QMP} = CH - 1-1/16" \quad (27)$$

Premium XL 80 Telescopic (TEL)

Typical assemblies mounted to ceiling

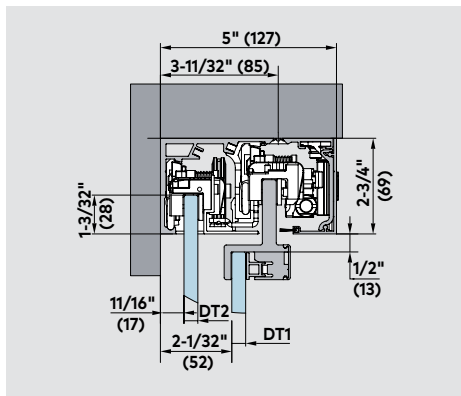


Mounted to ceiling



1 OL recommended at 4-15/16" (125), which is 2-15/16" (75) from leading edge of GMP. This allows 1-3/16" (30) clearance on both sides of handle in addition to 1-3/16" (30) overlap on jamb side. Example is using 1-3/8" (35) handle thickness. Refer to AHJ (authority having jurisdiction) as requirements can vary.

2 CW can be jamb to jamb, equal to RW if flush pull is used. Using two equal width doors allows both panels to open flush with jamb.



- TL = Track length
- GH SMP = Glass height slow moving panel
- GH GMP = Glass height quick moving panel
- CH = Clear opening height
- RW = Rough opening width
- SMP = Slow moving panel
- GMP = Quick moving panel
- DT = Glass (door) thickness
- OL = Overlap for handle
- CW = Clear opening width
- DT1 = Door thickness (fast panel)
- DT2 = Door thickness (slow panel)

Features and data

For installation with two door panels mounted at ceiling.
5/16"–9/16" (8–13.5) glass thickness.
Optional DORMOTION unit.

Max weight of door panels

176 lb (80 kg)

Calculation of track length

2 panels:

$$TL = (1.5 \times RW - (OL/2)) + 3-11/32" (85)$$

Bi-parting 4 panels:

$$TL = 1.5 \times RW - OL + 2-5/8" (67)$$

Calculation of glass width

2 panels:

$$SMP = (RW - OL + 3-17/32" [90]) / 2$$

$$QMP = SMP + OL$$

Bi-parting 4 panels:

$$SMP = (RW - (2 \times OL) + 4-1/2" [114]) / 4$$

$$QMP = SMP + OL$$

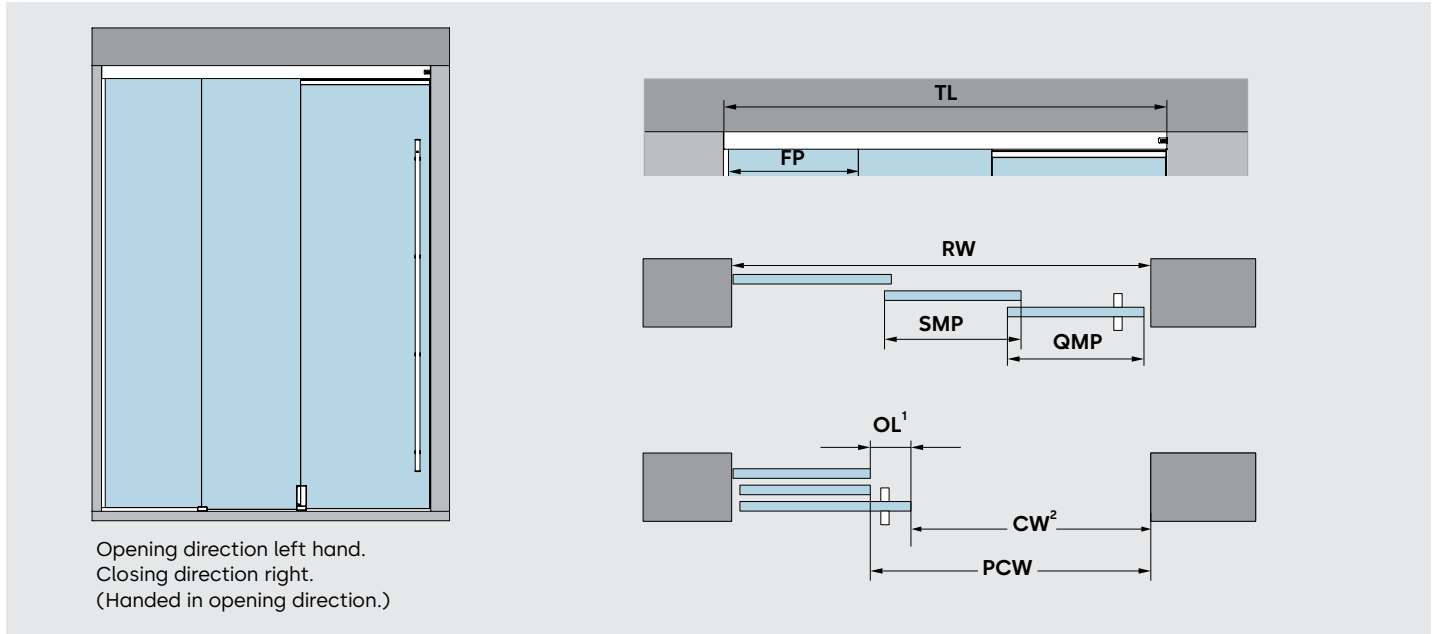
Calculation of glass height

$$GH SMP = CH + 23/32" (18)$$

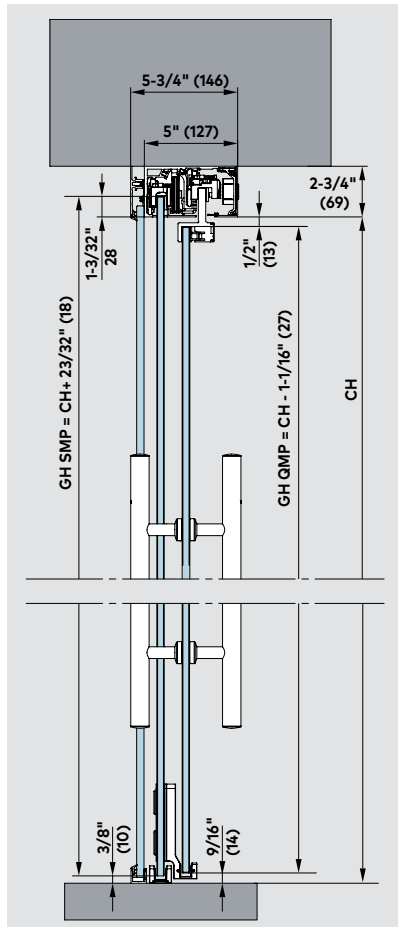
$$GH GMP = CH - 1-1/16" (27)$$

Premium XL 80 Telescopic (TEL)

Typical assemblies with sidelite on one side

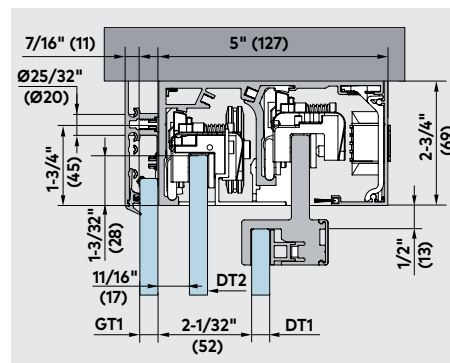


With sidelite



1 OL recommended at 4-15/16" (125), which is 2-15/16" (75) from leading edge of QMP. This allows 1-3/16" (30) clearance on both sides of handle in addition to 1-3/16" (30) overlap on jamb side. Example is using 1-3/8" (35) handle thickness. Refer to AHJ (authority having jurisdiction) as requirements can vary.

2 CW can be jamb to jamb, equal to RW if flush pull is used. Using two equal width doors allows both panels to open flush with jamb.



- TL = Track length
- GH SMP = Glass height slow moving panel
- GH QMP = Glass height quick moving panel
- CH = Clear opening height
- RW = Rough opening width
- SMP = Slow moving panel
- QMP = Quick moving panel
- FP = Fixed panel sidelite
- DT = Glass (door) thickness
- OL = Overlap for handle
- CW = Clear opening width
- PCW = Clear opening passage width (SMP)
- DT1 = Door thickness (fast panel)
- DT2 = Door thickness (slow panel)
- GT1 = Glass thickness (fixed panel sidelite)

Features and data

For installation with two door panels mounted at ceiling.
5/16"–9/16" (8–13.5) glass thickness.
Optional DORMOTION unit.

Max weight of door panels

176 lb (80 kg)
For min and max panel sizes, see page 38.

Calculation of track length

$TL = RW - 5/32" (4)$
 $TL = RW$ (without end caps)

Calculation of glass width 2 panels:

$SMP = (RW - OL + 2" [51]) / 3$
 $QMP = SMP + OL$

Bi-parting 4 panels:

$SMP = (RW - (2 \times OL) + 4 (102)) / 6$
 $QMP = SMP + OL$

Calculation of glass height

$GH SMP = CH + 23/32" (18)$
 $GH QMP = CH - 1-1/16" (27)$

Sidelite calculations 2 panels:

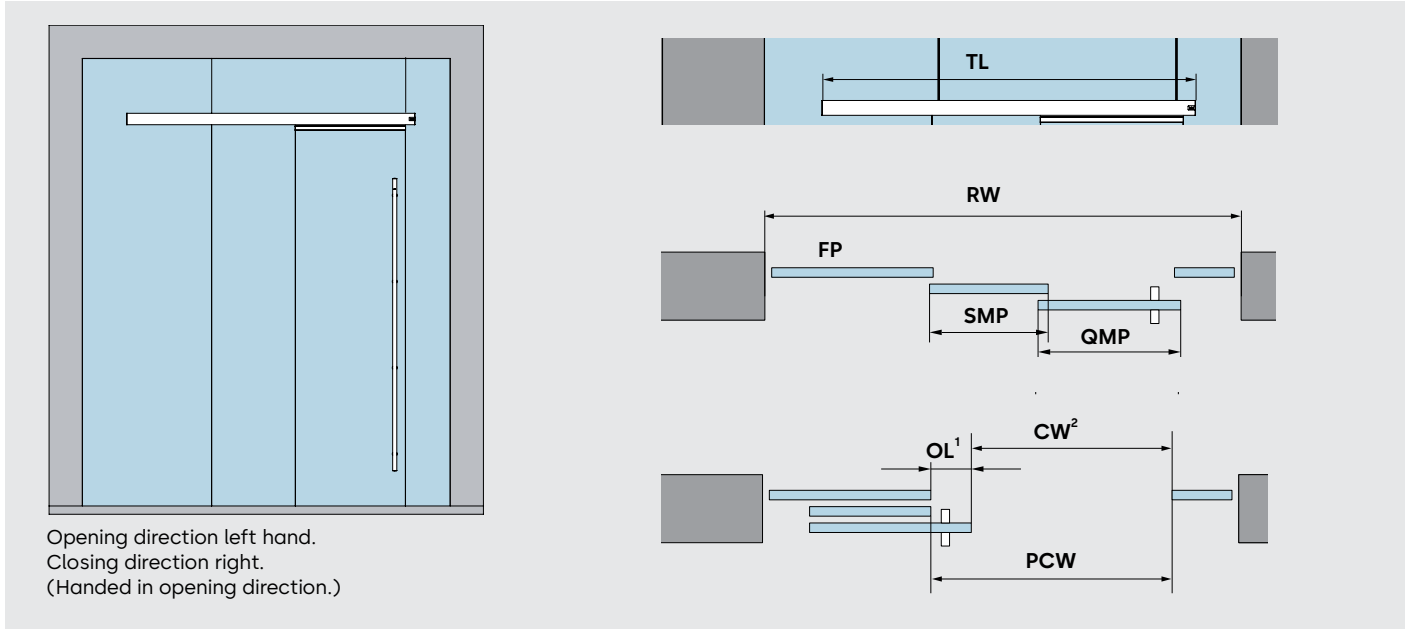
$FP = (RW - OL + 2-9/16" [66]) / 3$
 $PCW = RW - FP$

Bi-parting 4 panels:

$FP = RW - (2 \times OL) + 5-3/16" (132) / 6$
 $PCW = RW - (2 \times FP)$

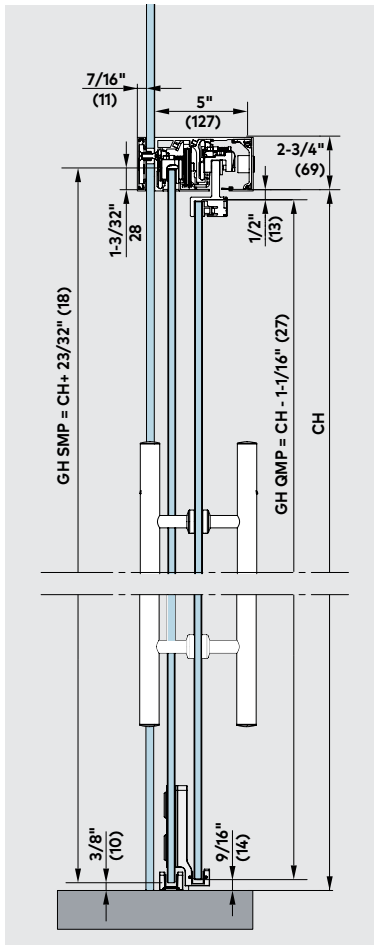
Premium XL 80 Telescopic (TEL)

Typical assemblies mounted to glass

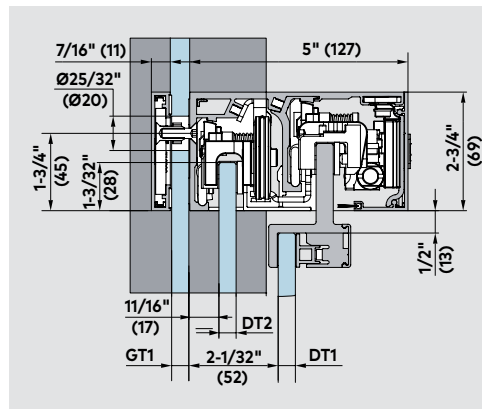


Opening direction left hand.
Closing direction right.
(Handed in opening direction.)

Mounted to glass



1 OL recommended at 4-15/16" (125), which is 2-15/16" (75) from leading edge of QMP. This allows 1-3/16" (30) clearance on both sides of handle in addition to 1-3/16" (30) overlap on jamb side. Example is using 1-3/8" (35) handle thickness. Refer to AHJ (authority having jurisdiction) as requirements can vary.



2 CW can be jamb to jamb, equal to RW if flush pull is used. Using two equal width doors allows both panels to open flush with jamb.

Features and data

For installation with two door panels mounted to glass.
5/16"–9/16" (8–13.5) glass thickness.
Optional DORMOTION unit.

Max weight of door panels

176 lb (80 kg)
For min and max panel sizes, see page 36.

Calculation of track length 2 panels:

$$TL = (1.5 \times PCW - (OL/2)) + 5 - 5/16" \quad (135)$$

Bi-parting 4 panels:

$$TL = (1.5 \times PCW) - OL + 2 - 5/8" \quad (67)$$

Calculation of glass width 2 panels:

$$SMP = (PCW - OL + 3 - 17/32" \quad (90)) / 2$$

$$QMP = SMP + OL$$

Bi-parting 4 panels:

$$SMP = (PCW - (2 \times OL) + 4 - 1/2" \quad (114)) / 4$$

$$QMP = SMP + OL$$

Calculation of glass height

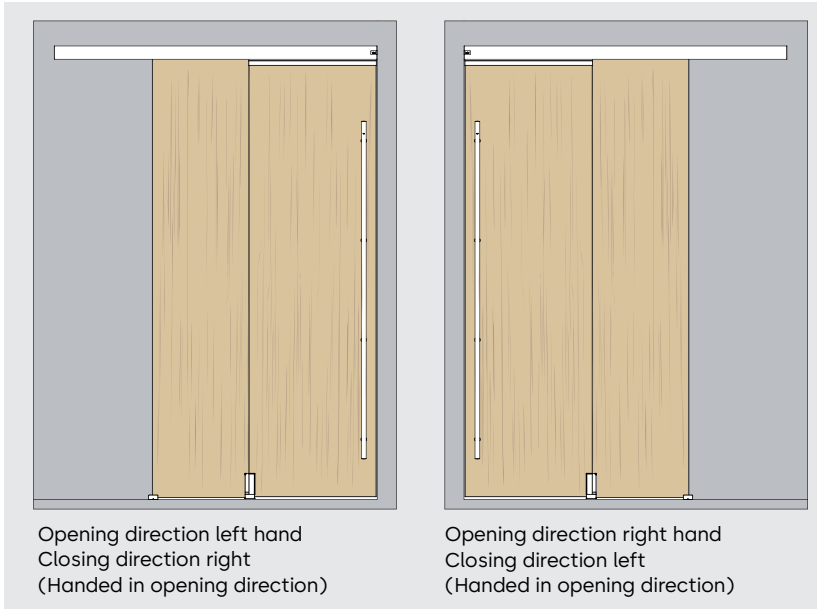
$$GH \text{ SMP} = CH + 23/32" \quad (18)$$

$$GH \text{ QMP} = CH - 1 - 1/16" \quad (27)$$

- TL = Track length
- GH SMP = Glass height slow moving panel
- GH QMP = Glass height quick moving panel
- CH = Clear opening height
- RW = Rough opening width
- SMP = Slow moving panel
- QMP = Quick moving panel
- DT = Glass (door) thickness
- OL = Overlap for handle
- CW = Clear opening width
- PCW = Clear opening passage width (SMP)
- DT1 = Door thickness (fast panel)
- DT2 = Door thickness (slow panel)
- GT1 = Glass thickness (fixed panel sidelite)

Premium XL 80 Telescopic (TEL)

Typical assemblies for wood panels



Features and data

For installation with two wood doors mounted to wall or ceiling, for 1-1/8" to 1-31/32" (29 to 50) door thicknesses.

Optional DORMOTION unit.

Max weight of door panels

176 lb (80 kg)

For min and max panel sizes, see page 36.

Calculation of track length

Refer to glass calculations on previous pages.

Calculation of panel width

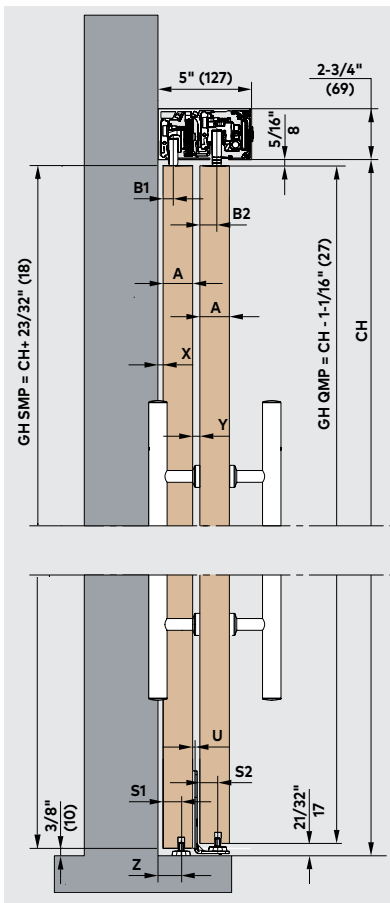
Refer to glass calculations on previous pages.

Calculation of glass height

DH SMP = CH + 23/32" (18)

DH QMP = CH - 1-1/16" (27)

Mounted to wall

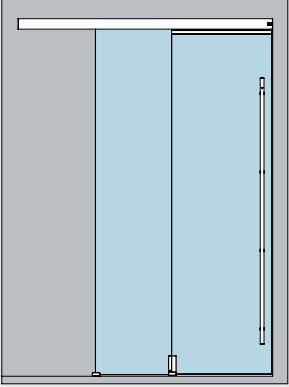
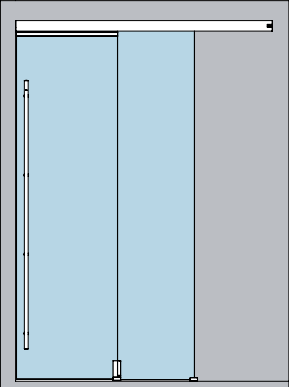
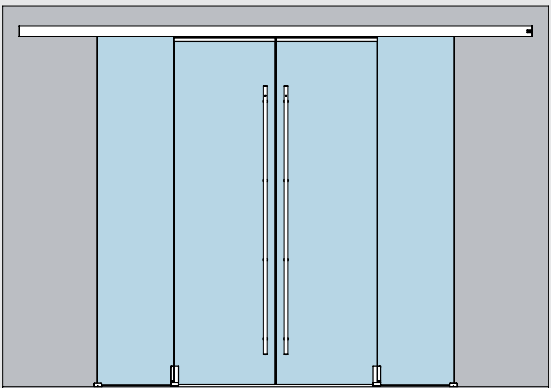


CH = Clear opening height
 DH SMP = Door height slow moving panel
 DH QMP = Door height quick moving panel

A	S1	S2	X	Y	Z	B1	B2	U
1-1/8"(29)	3/8"(9.5)	3/8"(9.5)	7/16"(11)	7/8"(22)	1"(25)	3/8"(10)	23/32"(18)	3/16"(5)
1-3/16"(30)	3/8"(9.5)	3/8"(9.5)	7/16"(11)	13/16"(21)	1"(25)	3/8"(10)	23/32"(18)	5/32"(4)
1-7/32"(31)	3/8"(9.5)	3/8"(9.5)	7/16"(11)	25/32"(20)	1"(25)	3/8"(10)	23/32"(18)	1/8"(3)
1-1/4"(32)	3/8"(9.5)	3/8"(9.5)	7/16"(11)	3/4"(19)	1"(25)	3/8"(10)	23/32"(18)	3/32"(2)
1-5/16"(33)	3/8"(9.5)	3/8"(9.5)	7/16"(11)	23/32"(18)	1"(25)	3/8"(10)	23/32"(18)	1/32"(1)
1-11/32"(34)	3/8"(9.5)	3/8"(9.5)	7/16"(11)	21/32"(17)	1"(25)	3/8"(10)	23/32"(18)	-
1-3/8"(35)	9/16"(14)	9/16"(14)	7/16"(11)	1/2"(13)	1-5/32"(29.5)	3/8"(10)	27/32"(21.5)	-
1-13/32"(36)	9/16"(14)	9/16"(14)	7/16"(11)	1/2"(13)	1-5/32"(29.5)	3/8"(10)	13/16"(20.5)	-
1-15/32"(37)	9/16"(14)	9/16"(14)	7/16"(11)	1/2"(13)	1-5/32"(29.5)	3/8"(10)	25/32"(19.5)	-
1-1/2"(38)	9/16"(14)	9/16"(14)	7/16"(11)	1/2"(13)	1-5/32"(29.5)	3/8"(10)	23/32"(18.5)	-
1-17/32"(39)	9/16"(14)	9/16"(14)	7/16"(11)	1/2"(13)	1-5/32"(29.5)	3/8"(10)	11/16"(17.5)	-
1-9/16"(40)	25/32"(20)	25/32"(20)	9/32"(7)	9/32"(7)	1-1/4"(31.5)	9/16"(14)	1-1/32"(26)	-
1-5/8"(41)	25/32"(20)	25/32"(20)	9/32"(7)	9/32"(7)	1-1/4"(31.5)	9/16"(14)	1"(25)	-
1-21/32"(42)	25/32"(20)	25/32"(20)	9/32"(7)	9/32"(7)	1-1/4"(31.5)	9/16"(14)	15/16"(24)	-
1-11/16"(43)	25/32"(20)	25/32"(20)	9/32"(7)	9/32"(7)	1-1/4"(31.5)	9/16"(14)	29/32"(23)	-
1-3/4"(44)	25/32"(20)	25/32"(20)	9/32"(7)	9/32"(7)	1-1/4"(31.5)	9/16"(14)	7/8"(22)	-
1-25/32"(45)	25/32"(20)	25/32"(20)	9/32"(7)	9/32"(7)	1-1/4"(31.5)	9/16"(14)	13/16"(21)	-
1-13/16"(46)	25/32"(20)	25/32"(20)	9/32"(7)	9/32"(7)	1-1/4"(31.5)	9/16"(14)	25/32"(20)	-
1-27/32"(47)	25/32"(20)	25/32"(20)	9/32"(7)	9/32"(7)	1-1/4"(31.5)	9/16"(14)	3/4"(19)	-
1-7/8"(48)	25/32"(20)	25/32"(20)	9/32"(7)	9/32"(7)	1-1/4"(31.5)	9/16"(14)	23/32"(18)	-
1-29/32"(49)	25/32"(20)	25/32"(20)	9/32"(7)	9/32"(7)	1-1/4"(31.5)	9/16"(14)	21/32"(17)	-
1-31/32"(50)	25/32"(20)	25/32"(20)	9/32"(7)	9/32"(7)	1-1/4"(31.5)	9/16"(14)	5/8"(16)	-

Premium XL 80 Telescopic (TEL)

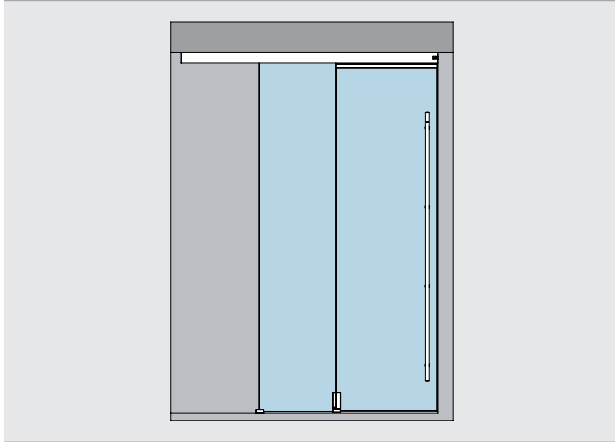
Glass door sets with moving floor guide — Mounted to wall

	<p>Premium XL 80 (TEL) Telescopic</p> <p>Set 1</p> <p>For wall installation, with moving floor guide, 2 panels (left hand) Incl. track profile, cover profile and brushes</p> <p>Complete accessories for 5/16"–9/16" (8-13.5) glass thickness, max 176 lb (80 kg)</p> <p>Prepared for option DM (DORMOTION)</p> <p>Set 1.1</p> <p>For closing against 90° jamb</p>	<p>Ref. No. 836.701</p> <p>Ref. No. 836.737</p>
	<p>Premium XL 80 (TEL) Telescopic</p> <p>Set 2</p> <p>For wall installation, with moving floor guide, 2 panels (right hand) Incl. track profile, cover profile and brushes</p> <p>Complete accessories for 5/16"–9/16" (8-13.5) glass thickness, max 176 lb (80 kg)</p> <p>Prepared for option DM (DORMOTION)</p> <p>Set 2.1</p> <p>For closing against 90° jamb</p>	<p>Ref. No. 836.702</p> <p>Ref. No. 836.738</p>
	<p>Premium XL 80 (TEL) Telescopic</p> <p>Set 3</p> <p>For wall installation, with moving floor guide, 4 panels (2 left hand/2 right hand) Incl. track profile, cover profile and brushes</p> <p>Complete accessories for 5/16"–9/16" (8-13.5) glass thickness, max 176 lb (80 kg)</p> <p>Prepared for option DM (DORMOTION)</p>	<p>Ref. No. 836.709</p>

Premium XL 80 Telescopic (TEL)

Glass door sets with moving floor guide

— Mounted to ceiling



Premium XL 80 (TEL) Telescopic

Ref. No. 836.703

Set 4

For ceiling installation, with moving floor guide, 2 panels (left hand) Incl. track profile, cover profile and brushes

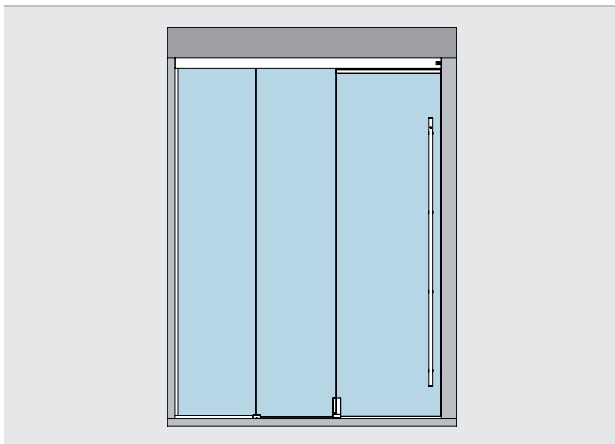
Complete accessories for 5/16"–9/16" (8-13.5) glass thickness, max 176 lb (80 kg)

Prepared for option DM (DORMOTION)

Set 4.1

For closing against 90° jamb

Ref. No. 836.739



Premium XL 80 (TEL) Telescopic

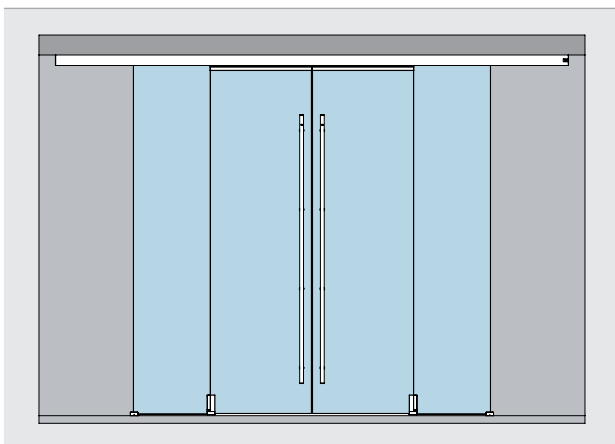
Ref. No. 836.704

Set 5

For ceiling by fixed panel sidelite installation, with moving floor guide, 2 panels (left hand) Incl. track profile, cover profile and brushes

Complete accessories for 5/16"–9/16" (8-13.5) glass thickness, max 176 lb (80 kg)

Prepared for option DM (DORMOTION)



Premium XL 80 (TEL) Telescopic

Ref. No. 836.710

Set 6

For ceiling installation, with moving floor guide, 4 panels (2 left hand/2 right hand) Incl. track profile, cover profile and brushes

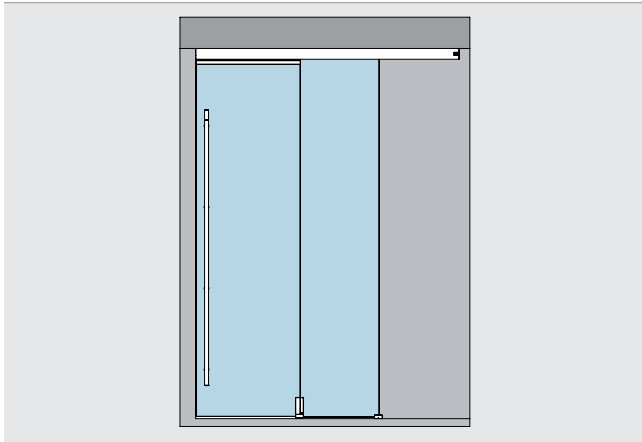
Complete accessories for 5/16"–9/16" (8-13.5) glass thickness, max 176 lb (80 kg)

Prepared for option DM (DORMOTION)

Premium XL 80 Telescopic (TEL)

Glass door sets with moving floor guide

— Mounted to ceiling



Premium XL 80 (TEL) Telescopic

Ref. No. 836.705

Set 7

For ceiling installation, with moving floor guide, 2 panels (right hand)
Incl. track profile, cover profile and brushes

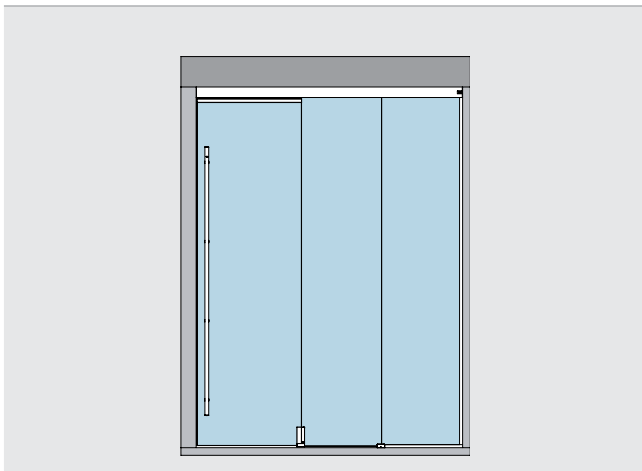
Complete accessories for
5/16"–9/16" (8-13.5) glass thickness,
max 176 lb (80 kg)

Prepared for option DM (DORMOTION)

Set 7.1

For closing against 90° jamb

Ref. No. 836.740



Premium XL 80 (TEL) Telescopic

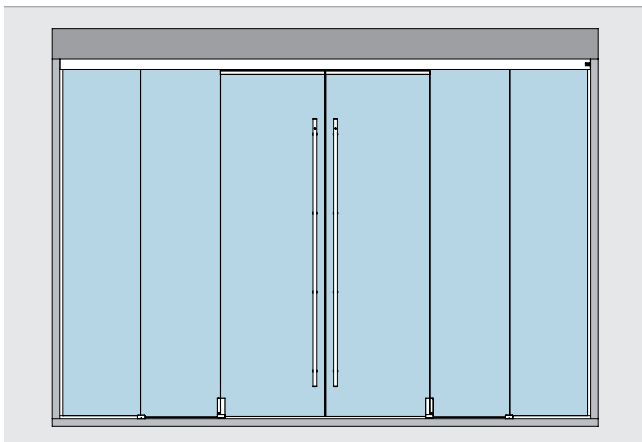
Ref. No. 836.706

Set 8

for ceiling installation, with moving floor guide, 2 panels (right hand) with one fixed panel sidelite
Incl. track profile, cover profile and brushes

Complete accessories for
5/16"–9/16" (8-13.5) glass thickness,
max 176 lb (80 kg)

Prepared for option DM (DORMOTION)



Premium XL 80 (TEL) Telescopic

Ref. No. 836.711

Set 9

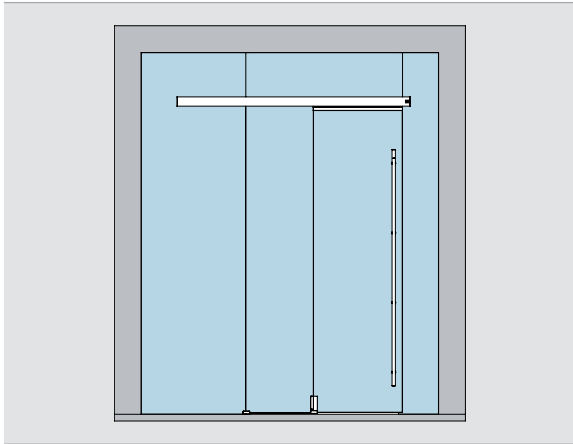
For ceiling installation, with moving floor guide, 4 panels (2 left hand/2 right hand) and one fixed panel sidelite per side
Incl. track profile, cover profile and brushes

Complete accessories for
5/16"–9/16" (8-13.5) glass thickness,
max 176 lb (80 kg)

Prepared for option DM (DORMOTION)

Premium XL 80 Telescopic (TEL)

Glass door sets with moving floor guide — Glass mounted



Premium XL 80 (TEL) Telescopic

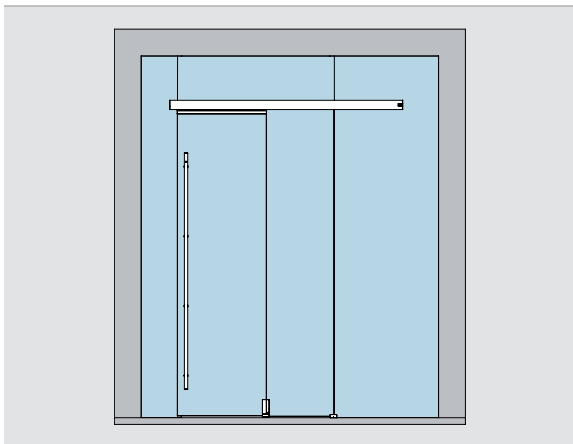
Ref. No. 836.707

Set 10

For installing on glass, with moving floor guide, 2 panels (left hand) Incl. track profile, cover profile and brushes

Complete accessories for
5/16"–9/16" (8-13.5) glass thickness,
max 176 lb (80 kg)

Prepared for option DM (DORMOTION)



Premium XL 80 (TEL) Telescopic

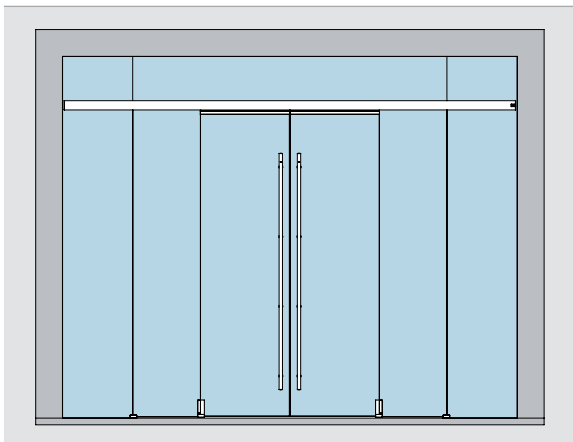
Ref. No. 836.708

Set 11

For installing on glass, with moving floor guide, 2 panels (right hand) Incl. track profile, cover profile and brushes

Complete accessories for
5/16"–9/16" (8-13.5) glass thickness,
max 176 lb (80 kg)

Prepared for option DM (DORMOTION)



Premium XL 80 (TEL) Telescopic

Ref. No. 836.712

Set 12

For installing on glass, with moving floor guide, 4 panels (2 left hand/2 right hand) Incl. track profile, cover profile and brushes

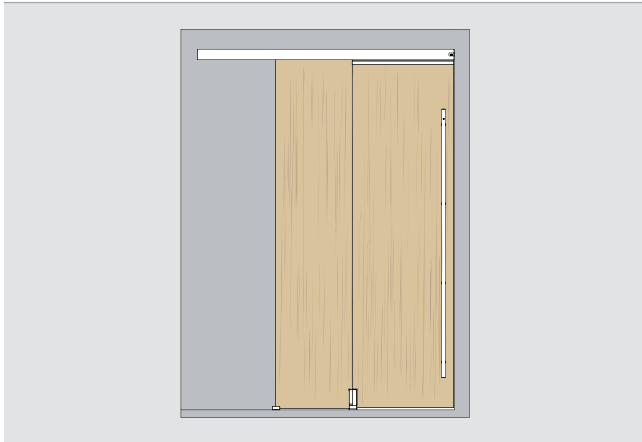
Complete accessories for
5/16"–9/16" (8-13.5) glass thickness,
max 176 lb (80 kg)

Prepared for option DM (DORMOTION)

Premium XL 80 Telescopic (TEL)

Wood door sets with moving floor guide

— Mounted to wall



Premium XL 80 (TEL) Telescopic

Ref. No. 836.725

Set 25

For wall installation, with moving floor guide, 2 panels (left hand) Incl. track profile, cover profile and brushes

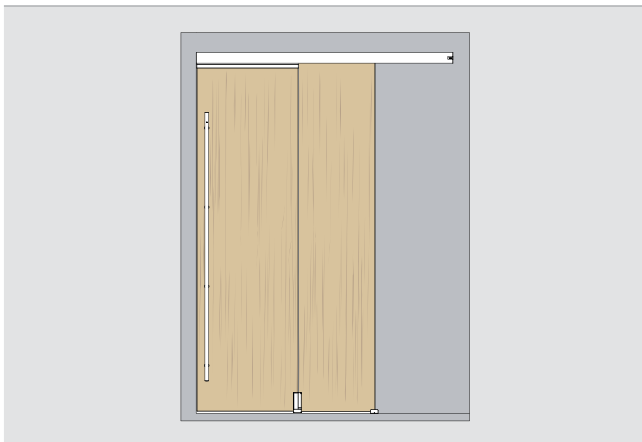
Complete accessories for 1-1/8"–1-31/32" (29–50) wood panel thickness, max 176 lb (80 kg)

Prepared for option DM (DORMOTION)

Set 25.1

For closing against 90° jamb

Ref. No. 836.792



Premium XL 80 (TEL) Telescopic

Ref. No. 836.726

Set 26

For wall installation, with moving floor guide, 2 panels (right hand) Incl. track profile, cover profile and brushes

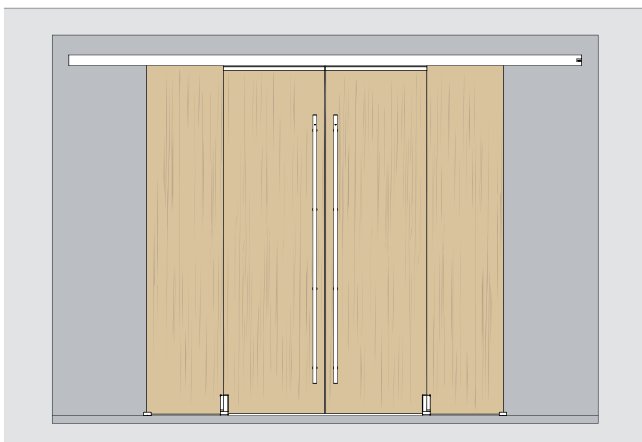
Complete accessories for 1-1/8"–1-31/32" (29–50) wood panel thickness, max 176 lb (80 kg)

Prepared for option DM (DORMOTION)

Set 26.1

For closing against 90° jamb

Ref. No. 836.793



Premium XL 80 (TEL) Telescopic

Ref. No. 836.733

Set 27

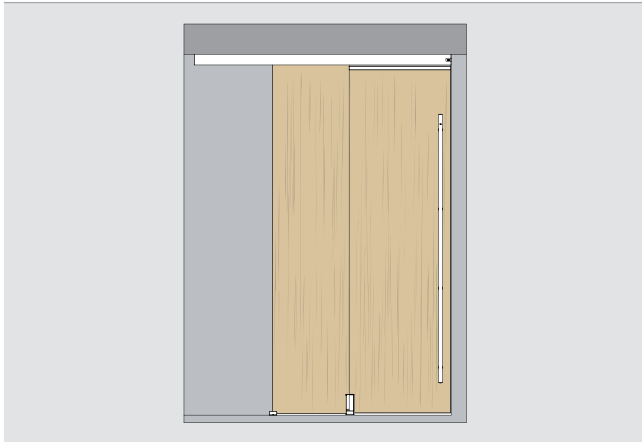
For wall installation, with moving floor guide, 4 panels (2 left hand/2 right hand) Incl. track profile, cover profile and brushes

Complete accessories for 1-1/8"–1-31/32" (29–50) wood panel thickness, max 176 lb (80 kg)

Prepared for option DM (DORMOTION)

Premium XL 80 Telescopic (TEL)

Wood door sets with moving floor guide — Mounted to ceiling



Premium XL 80 (TEL) Telescopic

Ref. No. 836.727

Set 28

For ceiling installation, with moving floor guide,
2 panels (left hand) Incl. track profile, cover
profile and brushes

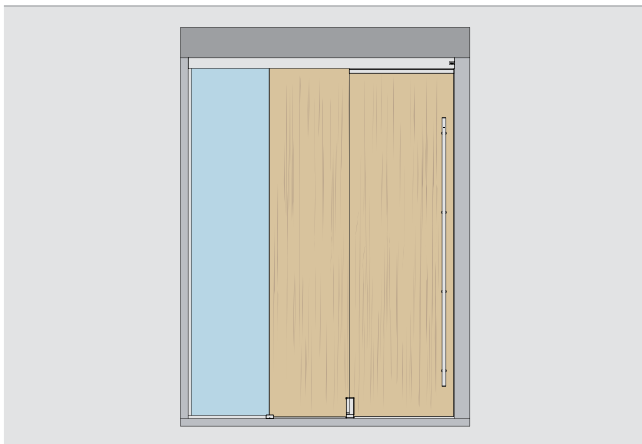
Complete accessories for 1-1/8"–1-31/32"
(29–50) wood panel thickness,
max 176 lb (80 kg)

Prepared for option DM (DORMOTION)

Set 28.1

For closing against 90° jamb

Ref. No. 836.794



Premium XL 80 (TEL) Telescopic

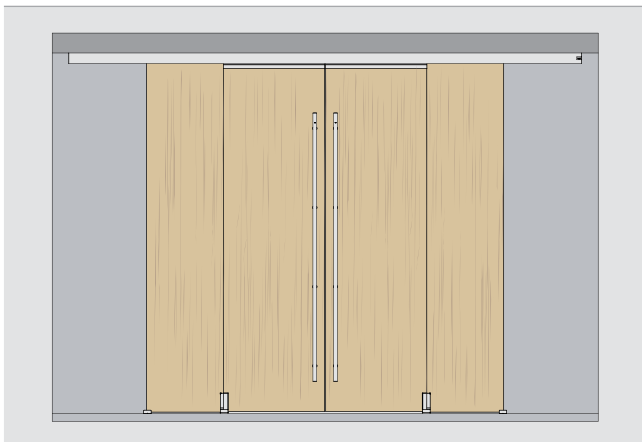
Ref. No. 836.728

Set 29

For ceiling installation, with moving floor guide,
2 panels (left hand) with fixed panel sidelite
Incl. track profile, cover profile and brushes

Complete accessories for 1-1/8"–1-31/32"
(29–50) wood panel thickness,
max 176 lb (80 kg)

Prepared for option DM (DORMOTION)



Premium XL 80 (TEL) Telescopic

Ref. No. 836.734

Set 30

For ceiling installation, with moving floor guide,
4 panels (2 left hand/2 right hand)
Incl. track profile, cover profile and brushes

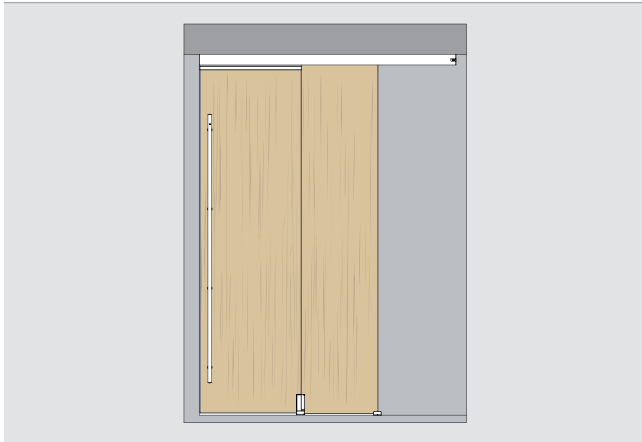
Complete accessories for 1-1/8"–1-31/32"
(29–50) wood panel thickness,
max 176 lb (80 kg)

Prepared for option DM (DORMOTION)

Premium XL 80 Telescopic (TEL)

Wood door sets with moving floor guide

— Mounted to ceiling



Premium XL 80 (TEL) Telescopic

Ref. No. 836.729

Set 31

For ceiling installation, with moving floor guide, 2 panels (right hand)
Incl. track profile, cover profile and brushes

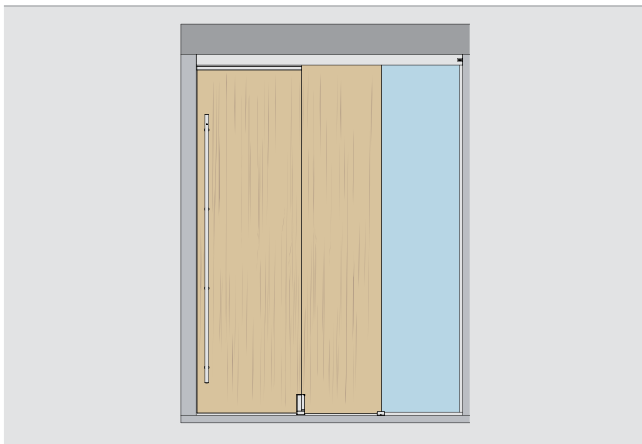
Complete accessories for
1-1/8"–1-31/32" (29–50) wood panel thickness,
max 176 lb (80 kg)

Prepared for option DM (DORMOTION)

Set 31.1

For closing against 90° jamb

Ref. No. 836.795



Premium XL 80 (TEL) Telescopic

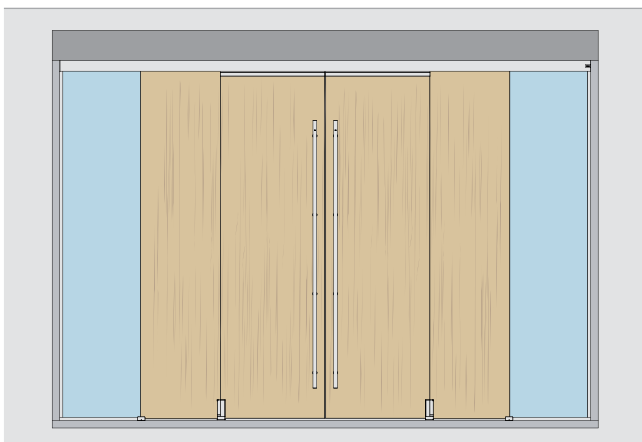
Ref. No. 836.730

Set 32

For ceiling installation, with moving floor guide, 2 panels (right hand) with fixed panel sidelite
Incl. track profile, cover profile and brushes

Complete accessories for
1-1/8"–1-31/32" (29–50) wood panel thickness,
max 176 lb (80 kg)

Prepared for option DM (DORMOTION)



Premium XL 80 (TEL) Telescopic

Ref. No. 836.735

Set 33

For ceiling installation, with moving floor guide, 4 panels (2 left hand/2 right hand) with one fixed panel sidelite per side
Incl. track profile, cover profile and brushes

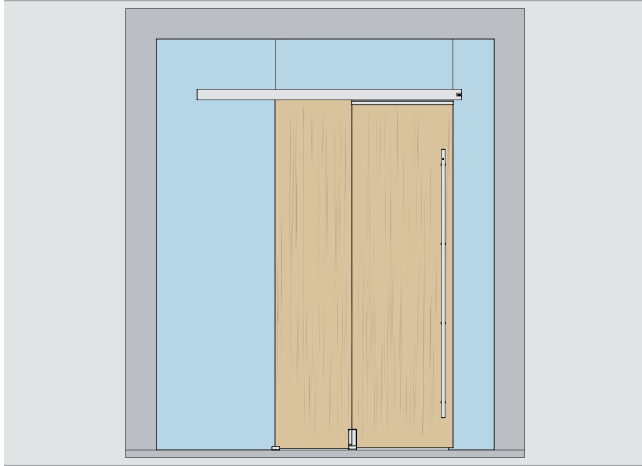
Complete accessories for
1-1/8"–1-31/32" (29–50) wood panel thickness,
max 176 lb (80 kg)

Prepared for option DM (DORMOTION)

Premium XL 80 Telescopic (TEL)

Wood door sets with moving floor guide

— Glass mounted



Premium XL 80 (TEL) Telescopic

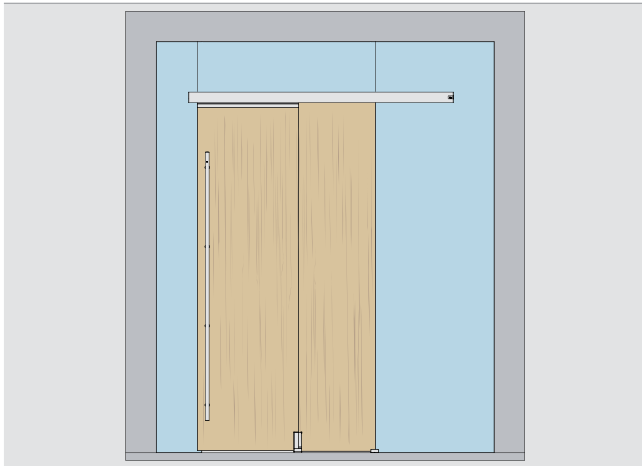
Ref. No. 836.731

Set 34

For installing on glass, with moving floor guide, 2 panels (left hand) Incl. track profile, cover profile and brushes

Complete accessories for 1-1/8"–1-31/32" (29–50) wood panel thickness, max 176 lb (80 kg)

Prepared for option DM (DORMOTION)



Premium XL 80 (TEL) Telescopic

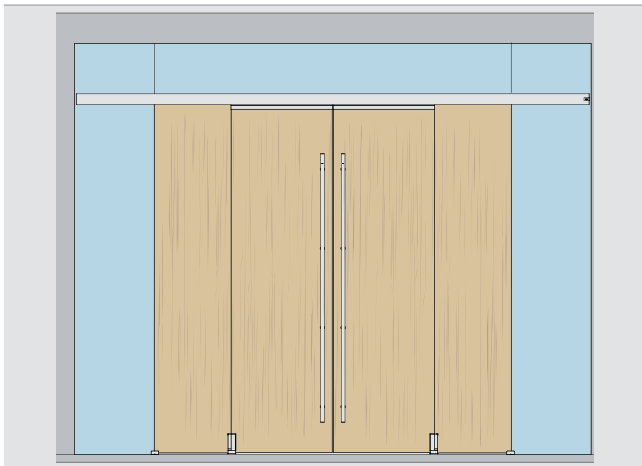
Ref. No. 836.732

Set 35

For installing on glass, with moving floor guide, 2 panels (right hand) Incl. track profile, cover profile and brushes

Complete accessories for 1-1/8"–1-31/32" (29–50) wood panel thickness, max 176 lb (80 kg)

Prepared for option DM (DORMOTION)



Premium XL 80 (TEL) Telescopic

Ref. No. 836.736

Set 36

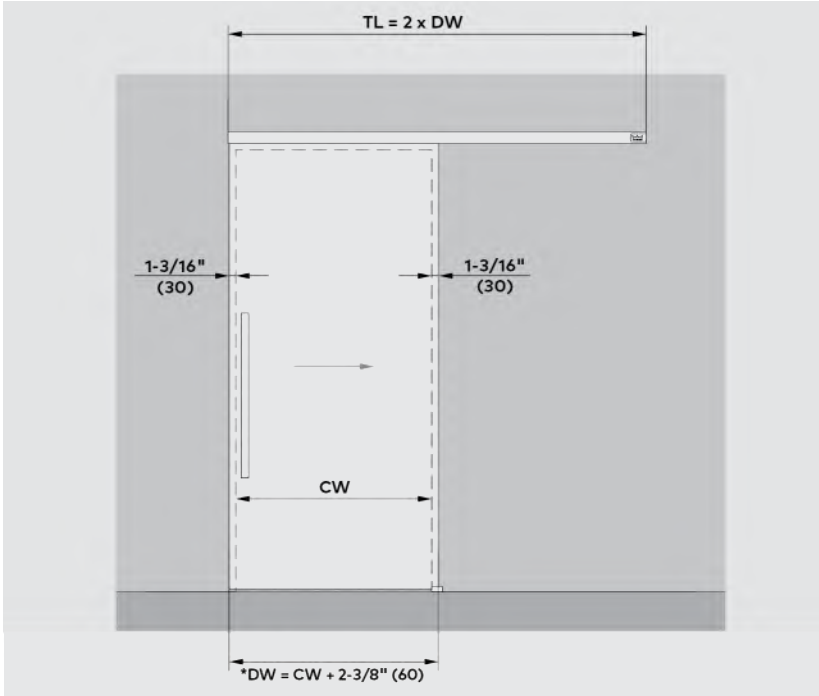
For installing on glass, with moving floor guide, 4 panels (2 left hand/2 right hand) Incl. track profile, cover profile and brushes

Complete accessories for 1-1/8"–1-31/32" (29–50) wood panel thickness, max 176 lb (80 kg)

Prepared for option DM (DORMOTION)

Comfort L 80 DORMOTION (DM) / L 80

Typical assemblies mounted to wall



Features and data

For installation with one or two sliding door panels mounted to wall; for 5/16" – 9/16" (8 – 13.5) thick glass

Max weight of door panels
176 lb (80 kg)

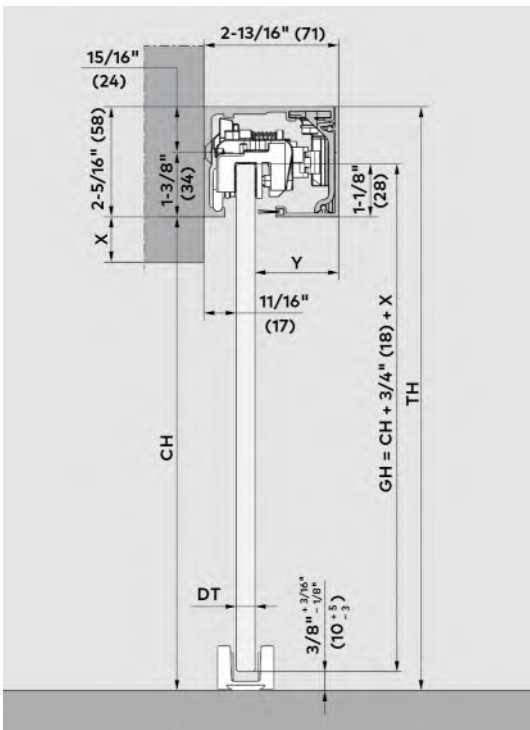
Calculation of glass height
GH = CH + 3/4" (18) + X
(see drawing) max 118-1/8" (3000)

Calculation of glass width
DW = CW + 2-3/8" (60)

	L 80 DM
min DW	26" (660)
max DW	57" (1448)
max 2P DW	2 x 57" (1448)
	L 80
min DW	26" (660)
max DW	57" (1448)
max 2P DW	2 x 57" (1448)

* If single door panel closes against jamb or only overlaps on one side, subtract 1-3/16" (30) from formula.

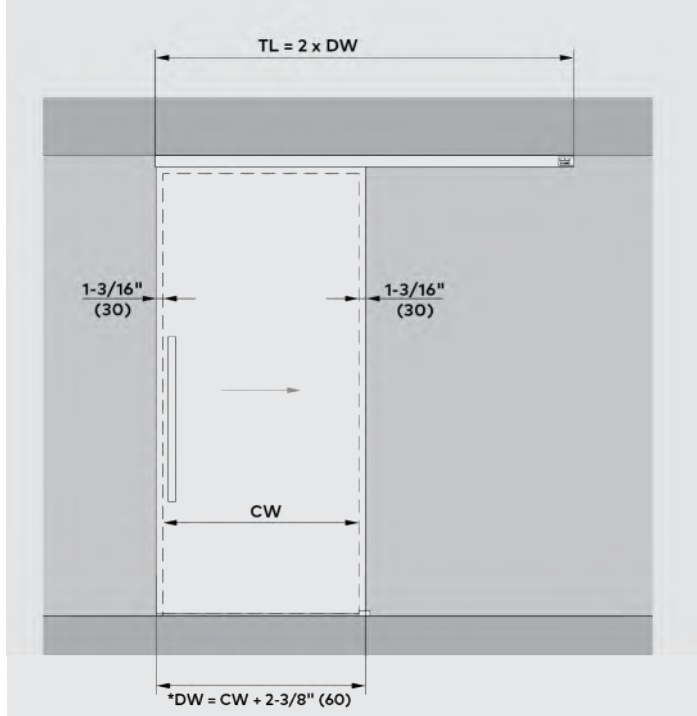
Mounted to wall (W)



- DW = Glass width
- TL = Track length
- GH = Glass height
- TH = Total height
- CH = Clear opening height
- CW = Clear opening width
- DT = Door (glass) thickness
- Y = 2-13/16" (71) – 11/16" (17) – DT
- X = Bottom of track channel to top of clear opening

Comfort L 80 DORMOTION (DM) / L 80

Typical assemblies mounted to ceiling



Features and data

For installation with one or two sliding door panels mounted to wall; for 5/16"– 9/16" (8 – 13.5) thick glass

Max weight of door panels

176 lb (80 kg)

Calculation of glass height (CE-S)

$$GH = TH - 1-9/16" (40)$$

max 118-1/8" (3000)

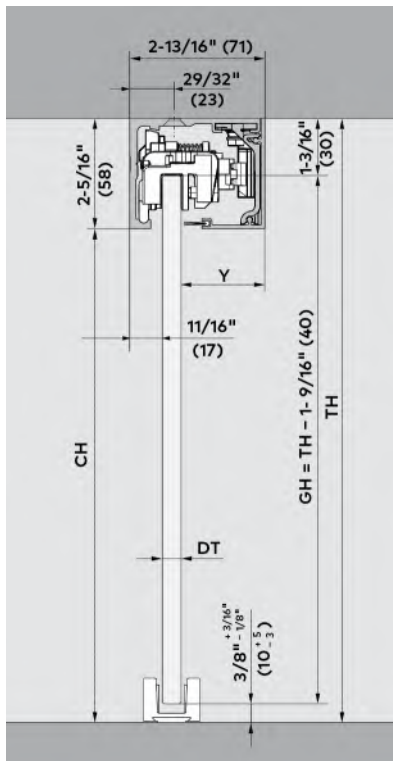
Calculation of glass width

$$DW = CW + 2-3/8" (60)$$

	L 80 DM
min DW	26" (660)
max DW	57" (1448)
max 2P DW	2 x 57" (1448)
	L 80
min DW	26" (660)
max DW	57" (1448)
max 2P DW	2 x 57" (1448)

* If single door panel closes against jamb or only overlaps on one side, subtract 1-3/16" (30) from formula.

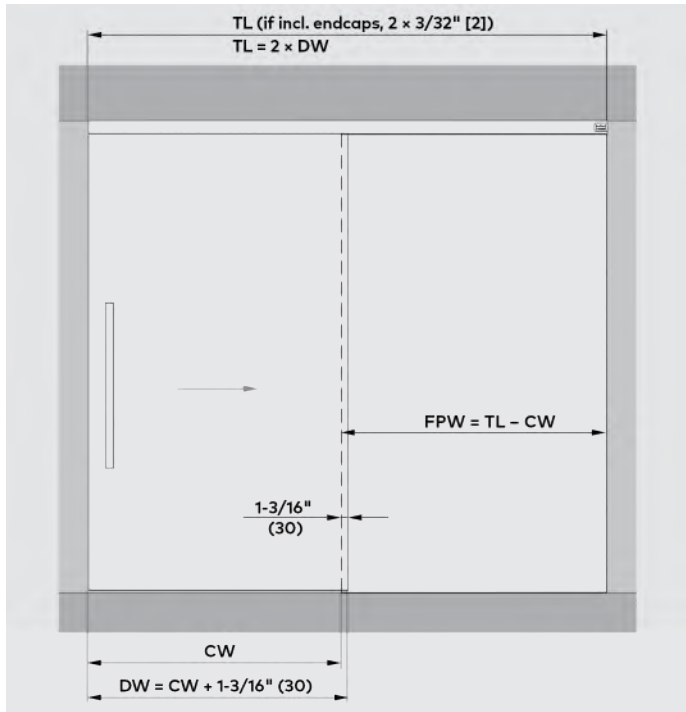
Mounted to ceiling (CE-S)



- DW = Glass width
- TL = Track length
- GH = Glass height
- TH = Total height
- CH = Clear opening height
- CW = Clear opening width
- DT = Door (glass) thickness
- Y = 2-13/16" (71) – 11/16" (17) – DT

Comfort L 80 DORMOTION (DM) / L 80

Typical assemblies with one sliding panel and fixed panel on one side



Features and data

For installation with one sliding door panel with fixed panel on one side, mounted to ceiling; for 5/16" – 9/16" (8 – 13.5) thick glass.

Max weight of door panels

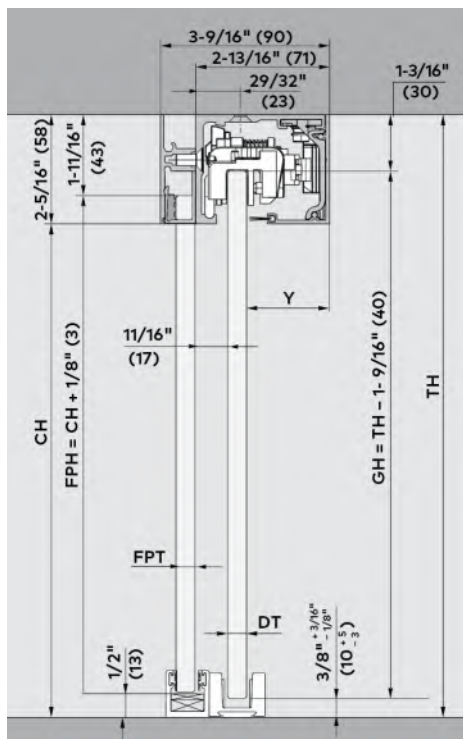
176 lb (80 kg)

Calculation of glass width

$$DW = CW + 1\text{-}3/16" (30)$$

	L 80 DM
min DW	26" (660)
max DW	57" (1448)
	L 80
min DW	26" (660)
max DW	57" (1448)

Mounted to ceiling (CE-S)



Calculation of glass height (CE-S)

$$GH = TH - 1\text{-}9/16" (40)$$

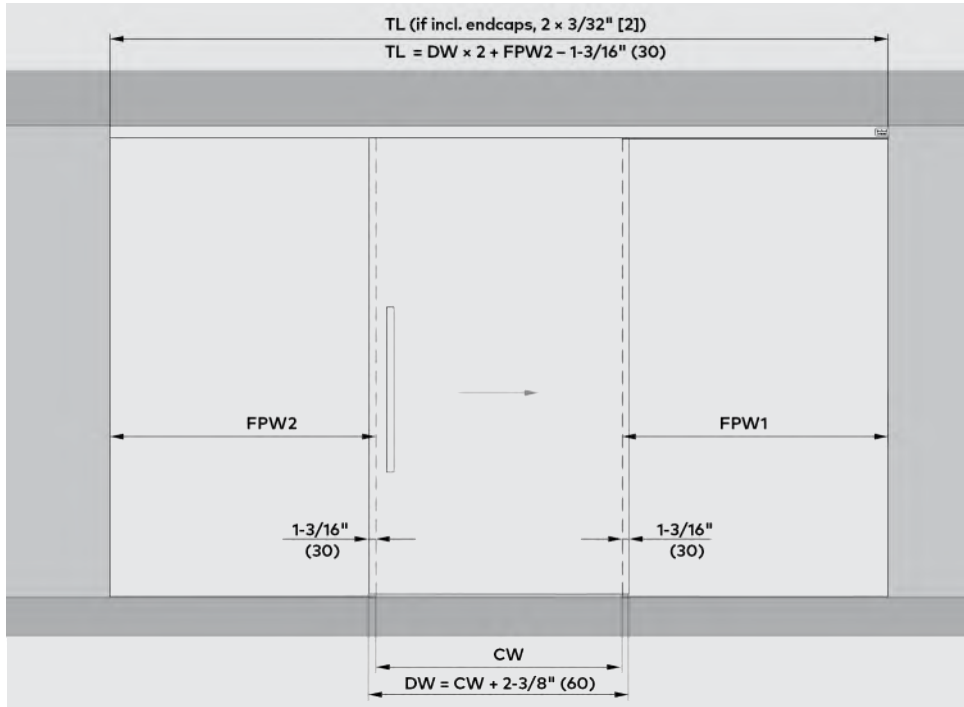
$$FPH = CH + 1/8" (3)$$

$$\text{max } 118\text{-}1/8" (3000)$$

- DW = Glass width
- TL = Track length
- GH = Glass height sliding door
- FPH = Fixed panel (sidelite) height
- TH = Total height
- CH = Clear opening height
- CW = Clear opening width
- FPW = Fixed panel (sidelite) width
- DT = Door (glass) thickness
- FPT = Fixed panel (glass) thickness
- Y = 2-13/16" (71) - 11/16" (17) - DT

Comfort L 80 DORMOTION (DM) / L 80

Typical assemblies with one sliding panel and fixed panels on both sides



Features and data

For installation with one sliding door panel with fixed panels on both sides, mounted to ceiling; for 5/16"– 9/16" (8 – 13.5) thick glass.

Max weight of door panels

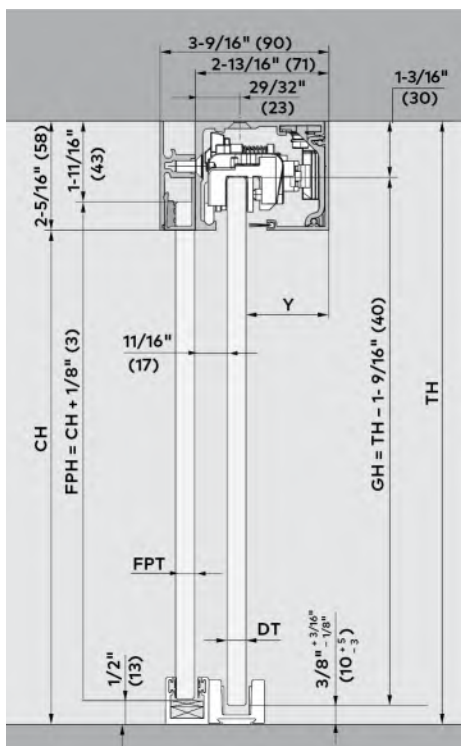
176 lb (80 kg)

Calculation of glass width

$$DW = CW + 2-3/8" (60)$$

	L 80 DM
min DW	26" (660)
max DW	57" (1448)
	L 80
min DW	26" (660)
max DW	57" (1448)

Mounted to ceiling (CE-S)



Calculation of glass height (CE-S)

$$GH = TH - 1-9/16" (40)$$

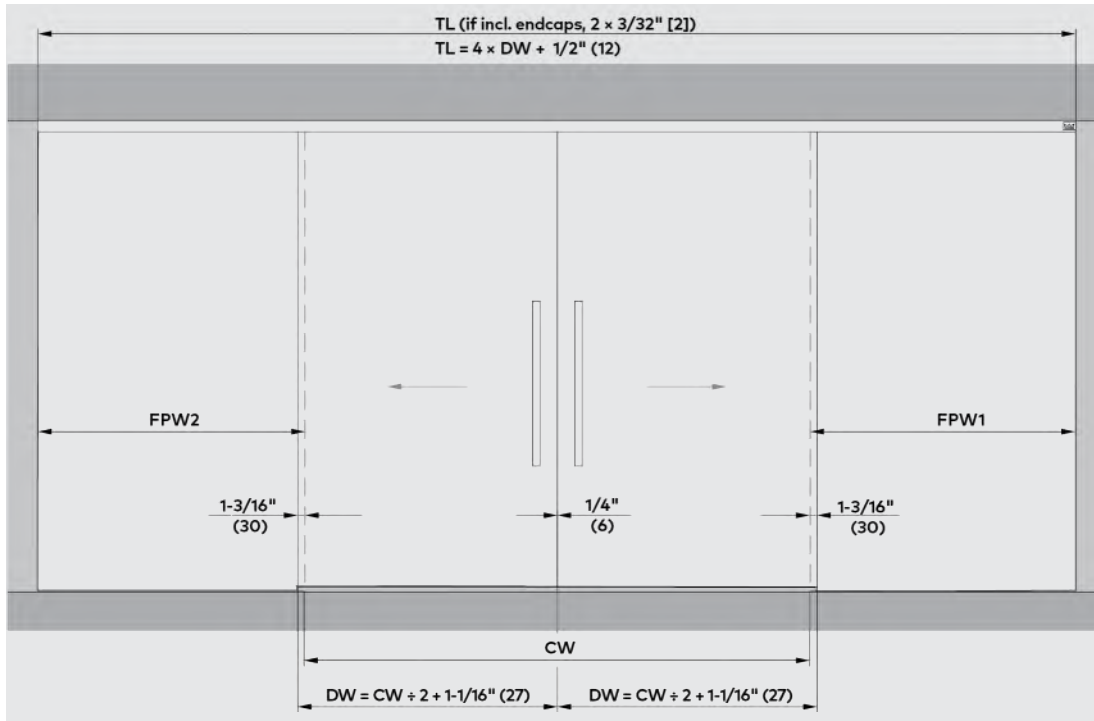
$$FPH = CH + 1/8" (3)$$

$$\text{max } 118-1/8" (3000)$$

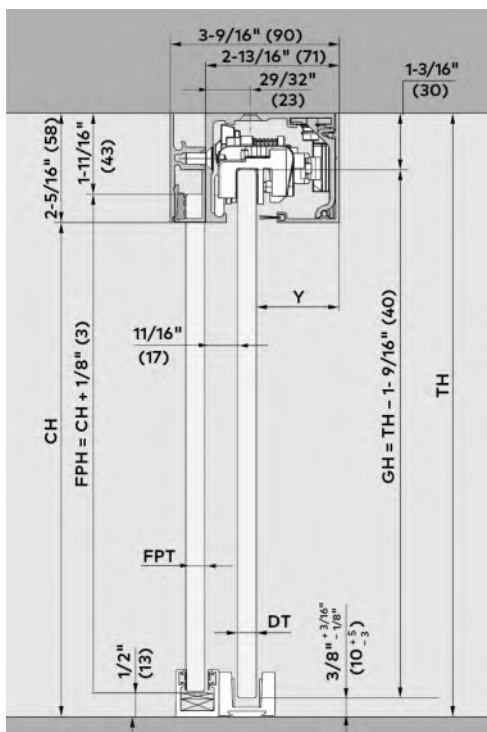
- DW = Glass width
- TL = Track length
- GH = Glass height sliding door
- FPH = Fixed panel (sidelite) height
- TH = Total height
- CH = Clear opening height
- CW = Clear opening width
- FPW1 = Fixed panel (sidelite) width 1
- FPW2 = Fixed panel (sidelite) width 2
- DT = Door (glass) thickness
- FPT = Fixed panel (glass) thickness
- Y = $2-13/16" (71) - 11/16" (17) - DT$

Comfort L 80 DORMOTION (DM) / L 80

Typical assemblies with two sliding panels with fixed panels on both sides



Mounted to ceiling (CE-S)



Features and data

For installation with two sliding door panels with fixed panels on both sides; for 5/16" – 9/16" (8 – 13.5) thick glass.

Max weight of door panels

176 lb (80 kg)

Calculation of glass width

$DW = CW + 2 + 1-1/16''$ (27)

- DW** = Glass width
- TL** = Track length
- GH** = Glass height sliding door
- FPH** = Fixed panel (sidelite) height
- TH** = Total height
- CH** = Clear opening height
- CW** = Clear opening width
- FPW1** = Fixed panel (sidelite) width
- FPW2** = Fixed panel (sidelite) width
- DT** = Door (glass) thickness
- FPT** = Fixed panel (glass) thickness
- Y** = $2-13/16''$ (71) – $11/16''$ (17) – **DT**

Calculation of glass height

$GH = TH - 1-9/16''$ (40)

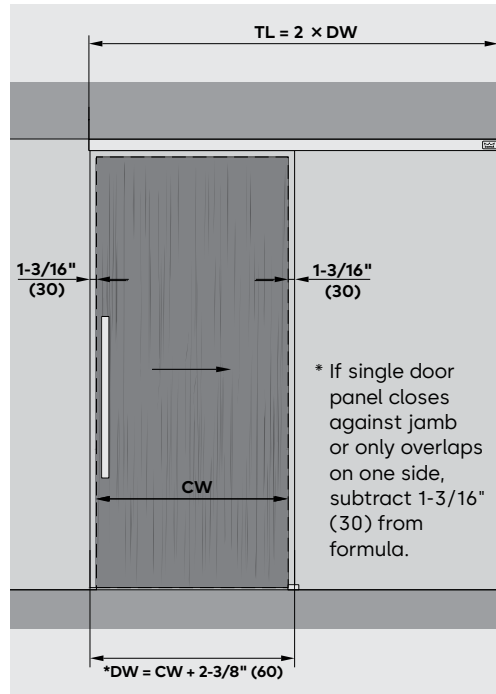
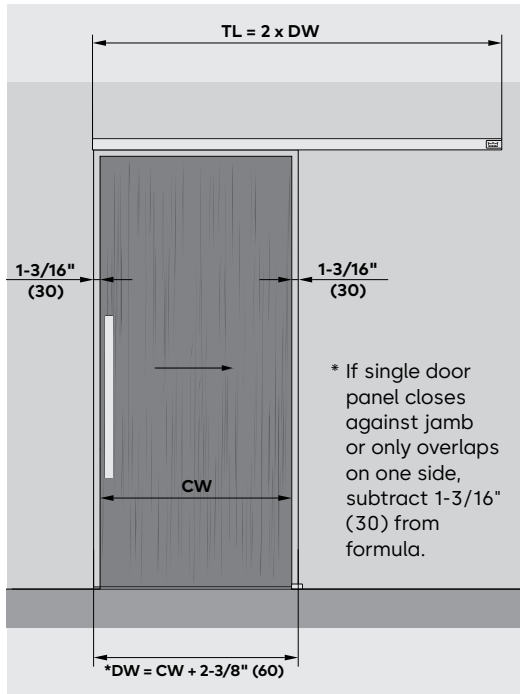
$FPH = CH + 1/8''$ (3)

max $118-1/8''$ (3000)

	L 80 DM
min DW	2 x 26" (660)
max DW	2 x 57" (1448)
	L 80
min DW	2 x 26" (660)
max DW	2 x 57" (1448)

Comfort L 80 DORMOTION (DM) / L 80

Typical assemblies for wood doors



Features and data

For installation with wood door; mounted to wall or ceiling; for 1-1/8" – 1-31/32" (28 – 50) thick wood doors.

Max weight of door panels

176 lb (80 kg)

Calculation of door height

DH = CH + 3/4" (18) + X (wall)

DH = TH – 3" (76) (ceiling)

max 118-1/8" (3000)

Calculation of door width

DW = CW + 2-3/8" (60)

DW = Door width

TL = Track length

TH = Total height

CH = Clear opening height

CW = Clear opening width

DH = Door height

DT = Door (wood) thickness

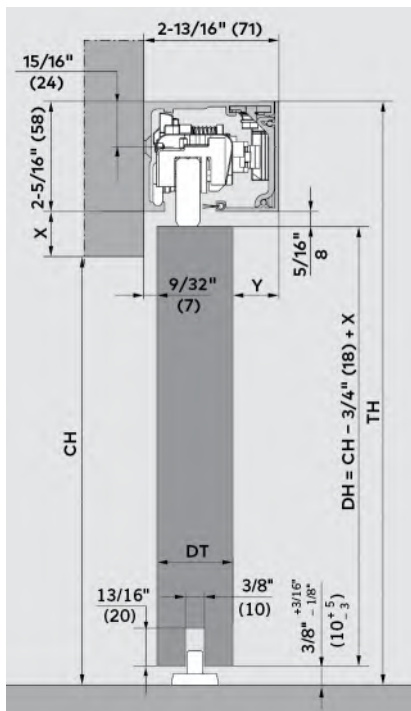
Y = 3-15/16" (100) –

5/16" (7) – DT

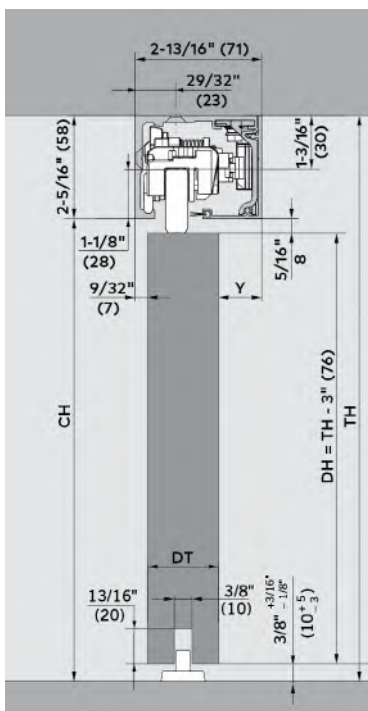
X = Bottom of track channel

to top of clear opening

Mounted to wall (W)



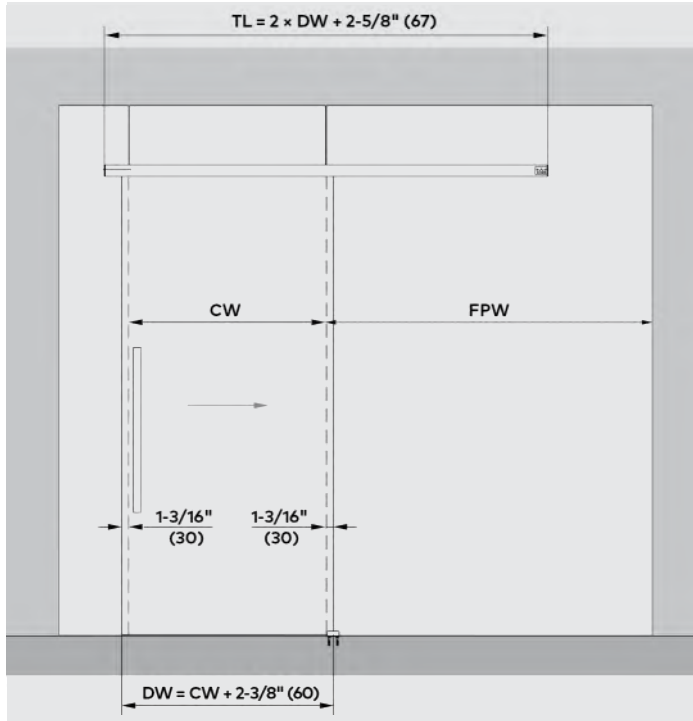
Mounted to ceiling (CE-S)



	L 80 DM
min DW	26" (660)
max DW	60" (1524)
max DW	2 60" (1524)
	L 80
min DW	26" (660)
max DW	60" (1524)
max DW	2 60" (1524)

Comfort L 80 DORMOTION (DM) / L 80

Typical assemblies mounted on glass with one sliding panel



Note: To ensure a correct and aligned mounting of the track rail, a full supporting fixed panel must be installed.

Features and data

For installation with one sliding panel mounted on glass; for 5/16" – 9/16" (8 – 13.5) thick glass

Max weight of door panels
176 lb (80 kg)

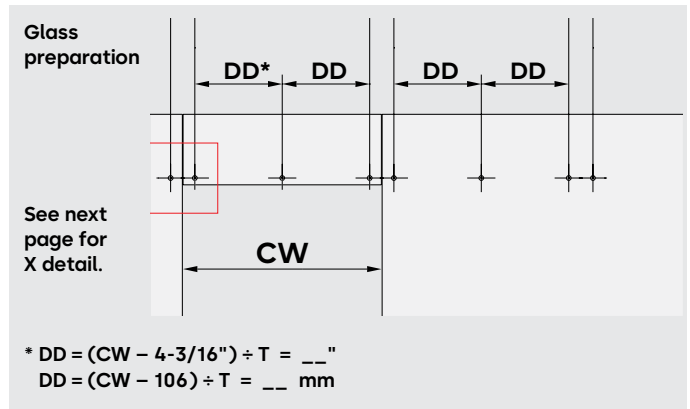
Calculation of glass height

$GH = TH - 1-9/16" (40)$
max 118-1/8" (3000)

Calculation of glass width

$DW = CW + 2-3/8" (60)$

	L 80 DM	L 80
min DW	26" (660)	26" (660)
min CW	23" (600)	23-5/8" (600)
max DW	57" (1448)	57" (1448)
max CW	54-5/8" (1388)	54-5/8" (1388)



Calculation example

$DD = (27-9/16" - 4-3/16") \div 2 = 11-11/16"$
 $DD = (700 - 106) \div 2 = 297$

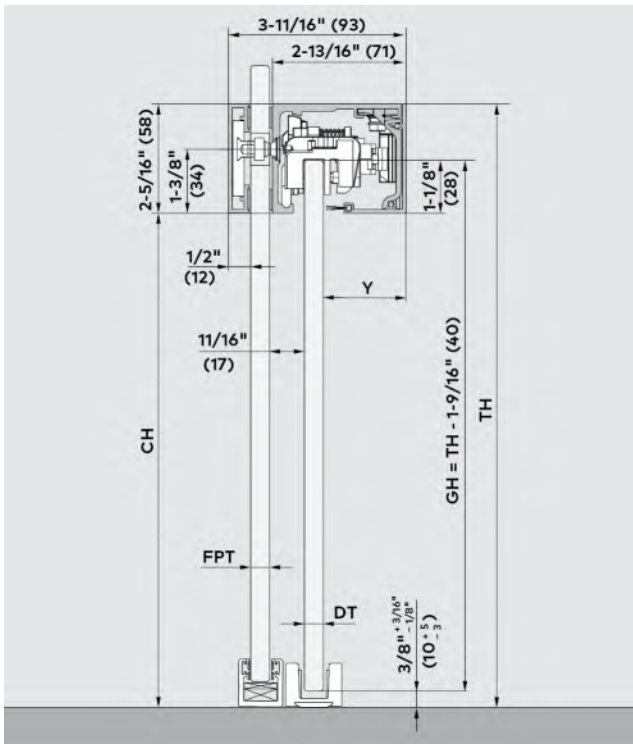
T = Formula Value

Z = Quantity of holes to drill

The total quantity of holes (Z) depends on clear opening width (CW) and determines the final drilling distance (DD).

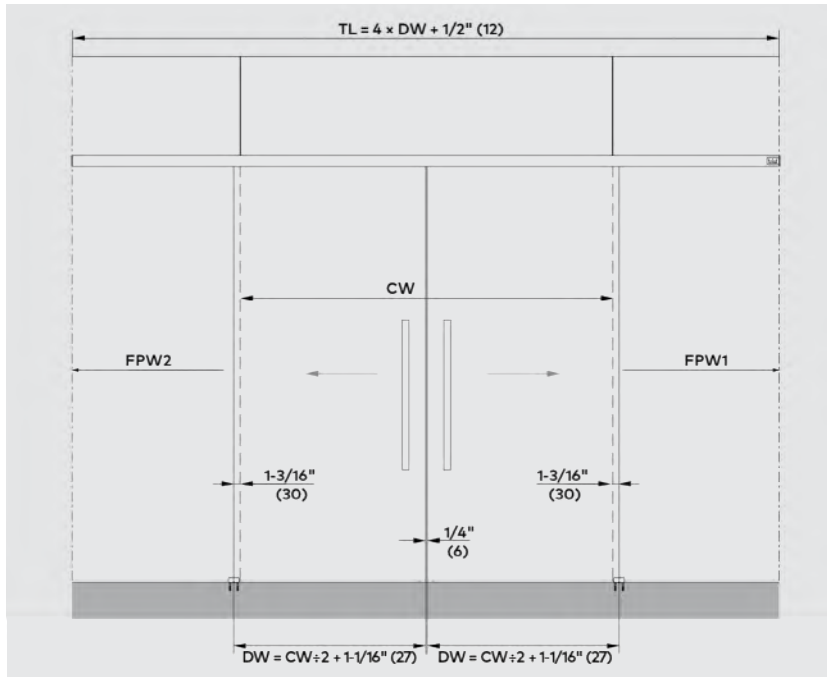
	T	Z
$CW \geq 23-5/8" (600)$ $\leq 31-1/2" (800)$	2	8
$CW > 31-1/2" (800)$ $\leq 39-3/8" (1000)$	3	10
$CW > 39-3/8" (1000)$ $\leq 47-1/4" (1200)$	4	12
$CW > 47-1/4" (1200)$ $\leq 54-5/8" (1388)$	5	14

- Use the equation to determine (DD) drilling distance (hole spacing) at defined (DD) locations.
- Provide (CW) clear opening width to determine value for (T).
- Insert value for (T) to formula equation to calculate (DD) drilling distance.



Comfort L 80 DORMOTION (DM) / L 80

Typical assemblies mounted on glass with two sliding panels



Features and data

For installation with two sliding panels mounted on glass; for 5/16" – 9/16" (8 – 13.5) thick glass

Max weight of door panels

176 lb (80 kg)

Calculation of glass height

$$GH = TH - 1-9/16" (40)$$

max 118-1/8" (3000)

Calculation of glass width

$$DW = CW \div 2 + 1-1/16" (27)$$

	L 80 DM	L 80
min DW	26" (660)	26" (660)
min CW	49-13/16" (1266)	49-13/16" (1266)
max DW	57" (1448)	57" (1448)
max CW	111-7/8" (2842)	111-7/8" (2842)

Calculation example

$$DD = (55-1/8" - 4-3/16" - 6-11/16") \div 4 = 11-1/16"$$

$$DD = (1400 - 106 - 170) \div 4 = 281$$

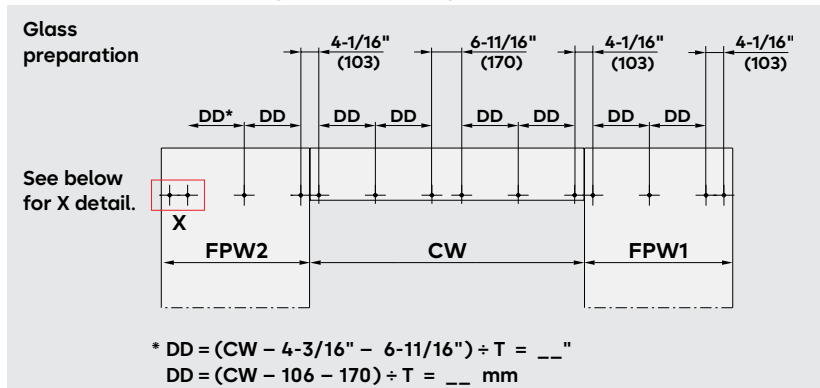
	T	Z
CW ≥ 49-13/16" (1266)	4	14
≤ 59-1/16" (1500)		
CW > 59-1/16" (1500)	6	18
≤ 78-3/4" (2000)		
CW > 78-3/4" (2000)	8	22
≤ 111-7/8" (2842)		

T = Formula Value

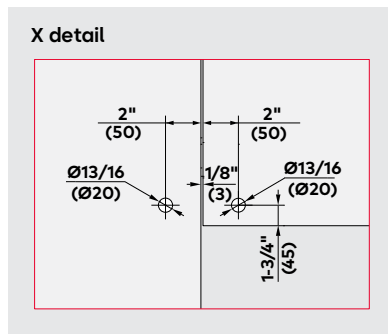
Z = Quantity of holes to drill

- The total quantity of holes (Z) depends on clear opening width (CW) and determines the final drilling distance (DD).
- Use the equation to determine (DD) drilling distance (hole spacing) at defined (DD) locations.
- Provide (CW) clear opening width to determine value for (T).
- Insert value for (T) to formula equation to calculate (DD) drilling distance.

Refer to Elevation drawing on previous page.



- DW = Glass width
- Z = Quantity of drillings
- TL = Track length
- DD = Drilling distance
- TH = Total height
- CH = Clear opening height
- CW = Clear opening width
- GH = Door height
- FPW1 = Fixed panel (glass) width 1
- FPW2 = Fixed panel (glass) width 2
- T = Formula value to determine DD
- DT = Door (glass) thickness
3/8" – 3/4" (10 – 19)
- FPT = Fixed panel (glass) thickness
- Y = 2-13/16" (71) – 11/16" (17) – DT



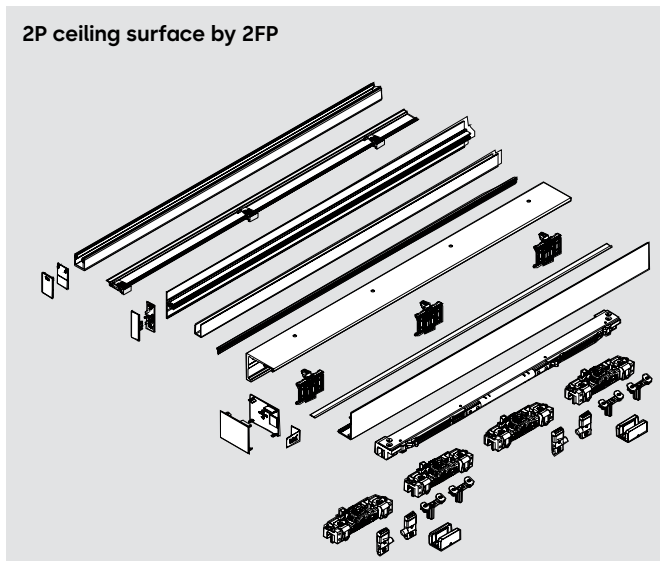
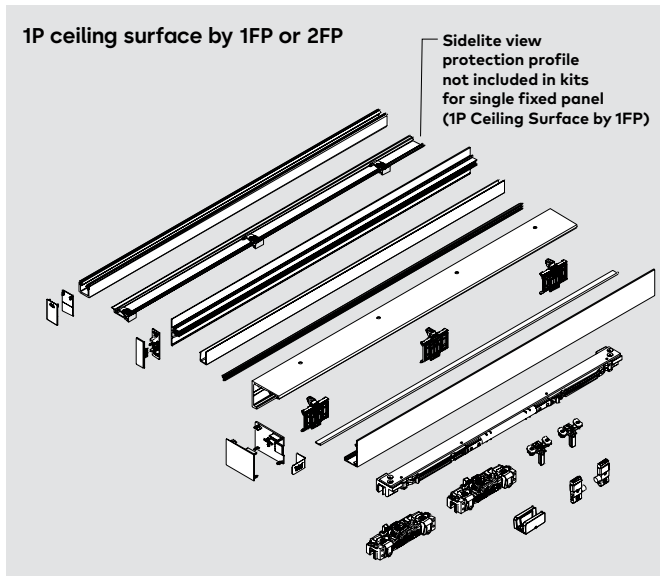
Comfort L 80 DORMOTION (DM) / L 80

Sliding door sets with one sliding panel and one or two fixed panels, ceiling surface installation

Incl. track/endcaps, cover, cover clips, gasket, end stops, roller carriers, DORMOTION¹, DM start/stops¹, floor guide, sidelite profile and gasket, sidelite filler profile, sidelite endcaps, U-Channel and gasket, and sidelite mounting hardware. (Sidelite view profile included if appropriate.)

Complete accessories for 5/16"– 9/16" (8 – 13.5) thick glass.
L 80 DM / L 80 max 176 lb (80 kg).

¹ L 80 set does not include DORMOTION or DM start/stops.



Note: Refer to Component parts section for wood door adapter options.

1P ceiling surface by 1FP – Set for ceiling surface installation with one sliding panel and one fixed panel.

	Min panel width	Min clear opening width	Max panel width ²	Max clear opening width ²	Max track length ²	Ref. No.
1P L 80 DM CE-S 1FP						
MTO	26" (660)	23-5/8" (600)	57" (1448)	54-5/8" (1388)	157-1/2" (4000)	236.389
1P L 80 CE-S 1FP						
MTO	26" (660)	23-5/8" (600)	57" (1448)	54-5/8" (1388)	157-1/2" (4000)	236.388

1P ceiling surface by 2FP – Set for ceiling surface installation with one sliding panel and two fixed panels.

	Min panel width	Min clear opening width	Max panel width ²	Max clear opening width ²	Max track length ²	Ref. No.
1P L 80 DM CE-S 2FP						
MTO	26" (660)	23-5/8" (600)	57" (1448)	54-5/8" (1388)	157-1/2" (4000)	236.391
1P L 80 CE-S 2FP						
MTO	26" (660)	23-5/8" (600)	57" (1448)	54-5/8" (1388)	157-1/2" (4000)	236.390

2P ceiling surface by 2FP – Set for ceiling surface installation with two sliding panels and two fixed panels.

	Min panel width	Min clear opening width	Max panel width ²	Max clear opening width ²	Max track length ²	Ref. No.
2P L 80 DM CE-S 2FP						
MTO	26" (660)	23-5/8" (600)	57" (1448)	111-7/8" (2842)	157-1/2" (4000)	236.393
2P L 80 CE-S 2FP						
MTO	26" (660)	49-13/16" (1266)	57" (1448)	111-7/8" (2842)	157-1/2" (4000)	236.392

² For 157-1/2" track lengths, only 154" are useable.
Max wood door sizes can be increased by 3" (76), MTO only.

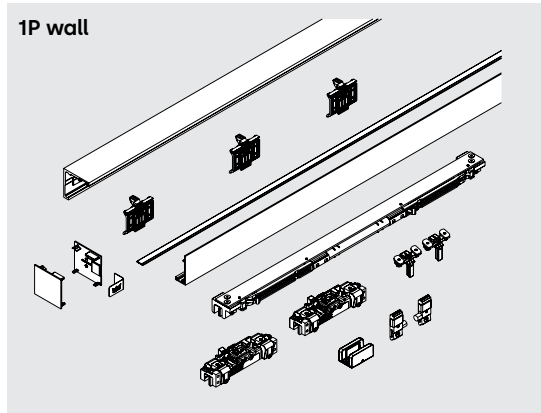
Comfort L 80 DORMOTION (DM) / L 80

Sliding door sets with one sliding panel

Incl. track/endcaps, cover, cover clips, gasket, end stops, roller carriers, DORMOTION¹, DM start/stops¹, and floor guide.
Complete accessories for 5/16" – 9/16" (8 – 13.5) thick glass.

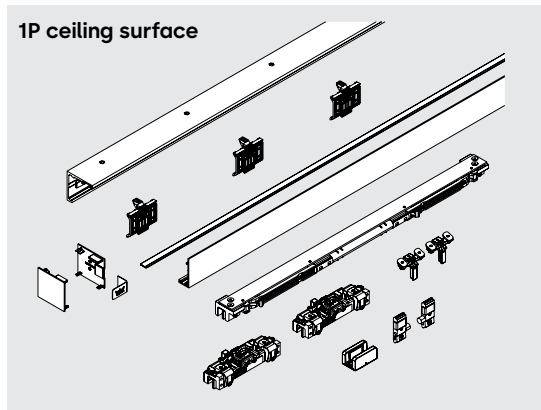
¹ L 80 set does not include DORMOTION or DM start/stops.

L 80 DM / L 80 max 176 lb (80 kg)



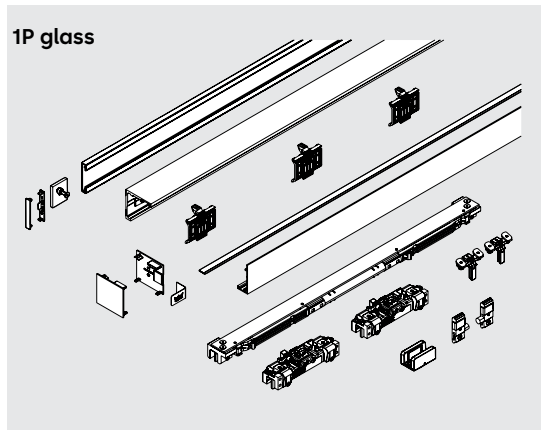
1P wall installation – Set for wall installation with one sliding panel.

	Min panel width	Min clear opening width	Max panel width ²	Max clear opening width ²	Max track length ²	Ref. No.
1P L 80 DM W						
STK	26" (660)	23-5/8" (600)	57" (1448)	54-5/8" (1388)	157-1/2" (4000)	836.326
MTO	26" (660)	23-5/8" (600)	57" (1448)	54-5/8" (1388)	157-1/2" (4000)	236.326
1P L 80 W						
STK	26" (660)	23-5/8" (600)	57" (1448)	54-5/8" (1388)	157-1/2" (4000)	836.301
MTO	26" (660)	23-5/8" (600)	57" (1448)	54-5/8" (1388)	157-1/2" (4000)	836.320



1P ceiling surface installation – Set for ceiling surface installation with one sliding panel.

	Min panel width	Min clear opening width	Max panel width ²	Max clear opening width ²	Max track length ²	Ref. No.
1P L 80 DM CE-S						
STK	26" (660)	23-5/8" (600)	57" (1448)	54-5/8" (1388)	157-1/2" (4000)	836.327
MTO	26" (660)	23-5/8" (600)	57" (1448)	54-5/8" (1388)	157-1/2" (4000)	236.327
1P L 80 CE-S						
STK	26" (660)	23-5/8" (600)	57" (1448)	54-5/8" (1388)	157-1/2" (4000)	836.303
MTO	26" (660)	23-5/8" (600)	57" (1448)	54-5/8" (1388)	157-1/2" (4000)	836.321



1P glass installation – Set for glass installation with one sliding panel.

	Min panel width	Min clear opening width	Max panel width ²	Max clear opening width ²	Max track length ²	Ref. No.
1P L 80 DM G						
MTO	26" (660)	23-5/8" (600)	57" (1448)	54-5/8" (1388)	157-1/2" (4000)	236.328
1P L 80 G						
MTO	26" (660)	23-5/8" (600)	57" (1448)	54-5/8" (1388)	157-1/2" (4000)	836.322

² For 157-1/2" track lengths, only 154" are useable.
Max wood door sizes can be increased by 3" (76), MTO only.

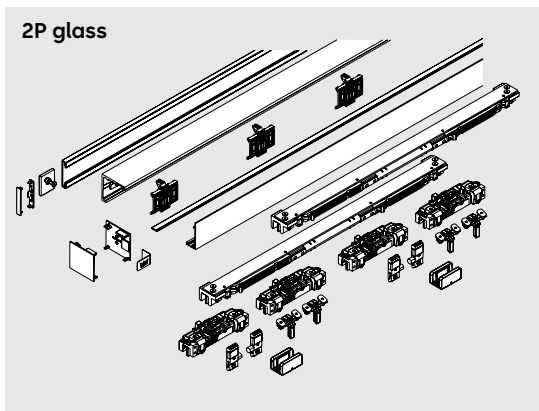
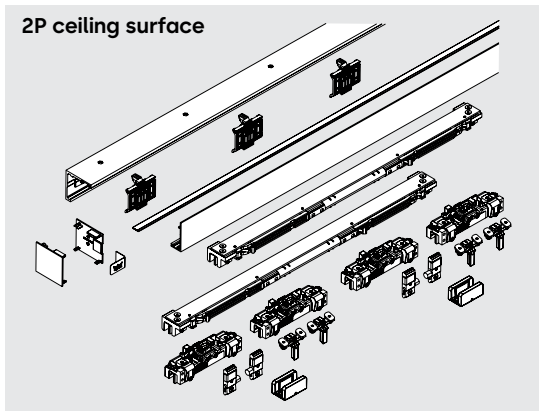
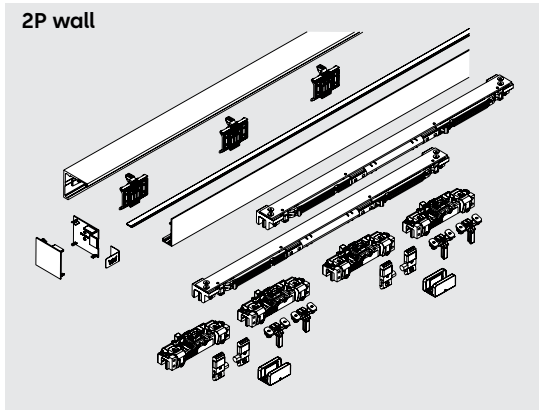
Note: Refer to Component parts section for wood door adapter options.

Comfort L 80 DORMOTION (DM) / L 80

Sliding door sets with two sliding panels

Incl. track/endcaps, cover, cover clips, gasket, end stops, roller carriers, DORMOTION¹, DM start/stops¹, and floor guide.
 Complete accessories for 5/16" – 9/16" (8 – 13.5) thick glass.
 L 80 DM / L 80 max 176 lb (80 kg)

¹ L 80 set does not include DORMOTION or DM start/stops.



Note: Refer to Component parts section for wood door adapter options.

2P wall installation – Set for wall installation with two sliding panels.

	Min panel width	Min clear opening width	Max panel width ²	Max clear opening width ²	Max track length ²	Ref. No.
2P L 80 DM W						
MTO	26" (660)	49-13/16" (1266)	57" (1448)	111-7/8" (2842)	157-1/2" (4000)	836.329
2P L 80 W						
MTO	26" (660)	49-13/16" (1266)	57" (1448)	111-7/8" (2842)	157-1/2" (4000)	836.323

2P ceiling surface installation – Set for ceiling surface installation with two sliding panels.

	Min panel width	Min clear opening width	Max panel width ²	Max clear opening width ²	Max track length ²	Ref. No.
2P L 80 DM CE-S						
MTO	26" (660)	49-13/16" (1266)	57" (1448)	111-7/8" (2842)	157-1/2" (4000)	836.330
2P L 80 CE-S						
MTO	26" (660)	49-13/16" (1266)	57" (1448)	111-7/8" (2842)	157-1/2" (4000)	836.324

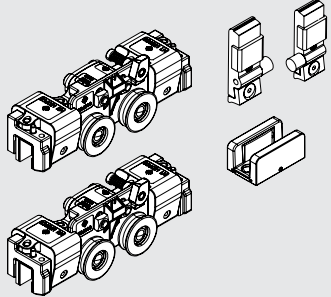
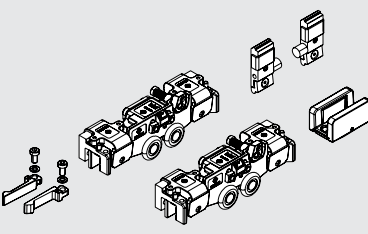
2P glass installation – Set for glass installation with two sliding panels.

	Min panel width	Min clear opening width	Max panel width ²	Max clear opening width ²	Max track length ²	Ref. No.
2P L 80 DM G						
MTO	26" (660)	49-13/16" (1266)	57" (1448)	111-7/8" (2842)	157-1/2" (4000)	836.331
2P L 80 G						
MTO	26" (660)	49-13/16" (1266)	57" (1448)	111-7/8" (2842)	157-1/2" (4000)	836.325

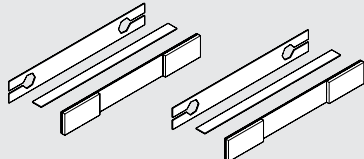
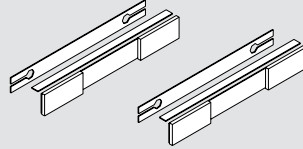
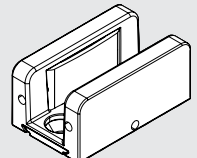
² For 157-1/2" track lengths, only 154" are useable.
 Max wood door sizes can be increased by 3" (76), MTO only.

Component parts

Roller accessory kit, complete

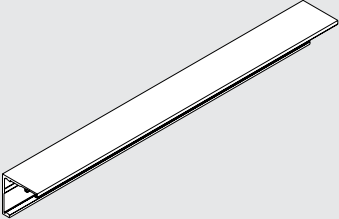
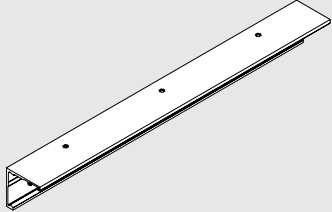
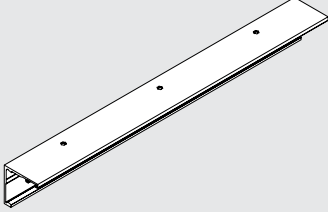
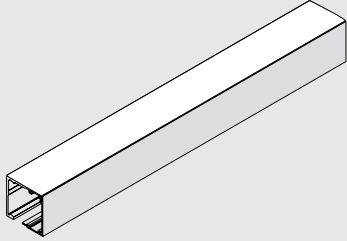
	<p>Premium XL 150/120/80 roller carriers</p> <p>Accessory set for XL 150 DM, XL 150, XL 120 SC, XL 80 DM</p> <p>Consisting of: 2 clamp carriers, 2 endstops, 1 floor guide, and non-DM hooks.</p> <p>Ref. No. 836.550</p>		<p>Comfort L 80 roller carriers</p> <p>Accessory set for use with L 80 DM and L 80.</p> <p>Consisting of: 2 clamp carriers, 2 endstops, non-DM hook, and 1 floor guide</p> <p>Ref. No. 36.349</p>
---	---	--	---

Gasket sets

	<p>Premium XL 150/120/80 roller gaskets</p> <p>Gasket set to service roller carriers for XL 150 DM, XL 150, XL 120 SC, XL 80 DM</p> <p>Ref. No. 836.451</p>		<p>Comfort L 80 roller gasket set</p> <p>Gasket set to service roller carriers</p> <p>Ref. No. 836.251</p>
	<p>MUTO glass door floor guide</p> <p>Adjustable 5/16" – 17/32" (8 – 13)</p> <p>Ref. No. 807.316</p>		

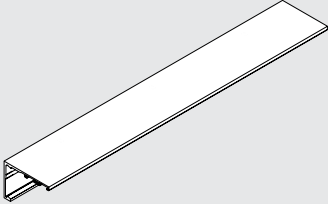
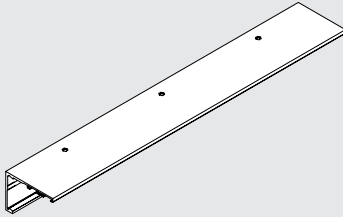
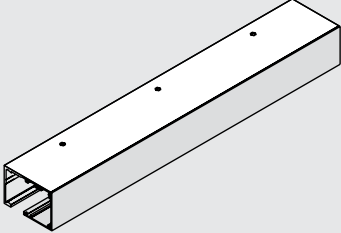
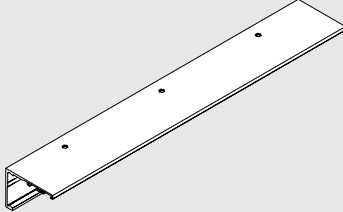
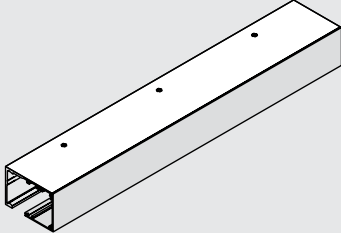
Component parts

Track and cover extrusions – XL 150/80 Systems

	<p>Premium XL 150/80 wall track</p> <p>Track rail for wall installation for XL 150 DM, XL 150, XL 80 DM</p> <p>Fixed length 157-1/2" (4000)</p> <p>Ref. No. 936.552</p> <p>Specify length (by ft.) Ref. No. 836.553</p>		<p>Premium XL 150/80 ceiling fixed panel track</p> <p>Track rail for ceiling, fixed panel surface mount for XL 150 DM, XL 150, XL 80 DM</p> <p>Fixed length 157-1/2" (4000)</p> <p>Ref. No. 936.562</p> <p>Specify length (by ft.) Ref. No. 936.563</p>
	<p>Premium XL 150/80 ceiling track</p> <p>Track rail for ceiling, surface mount for XL 150 DM, XL 150, XL 80 DM</p> <p>Fixed length 157-1/2" (4000)</p> <p>Ref. No. 936.554</p> <p>Specify length (by ft.) Ref. No. 836.555</p>		<p>Premium XL 150/80 cover</p> <p>Cover profile for DORMOTION front cover for XL 150 DM, XL 150, XL 80 DM</p> <p>Fixed length 157-1/2" (4000)</p> <p>Ref. No. 936.566</p> <p>Specify length (by ft.) Ref. No. 836.567</p>

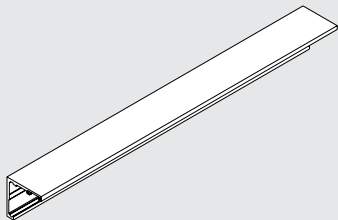
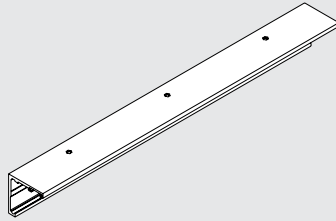
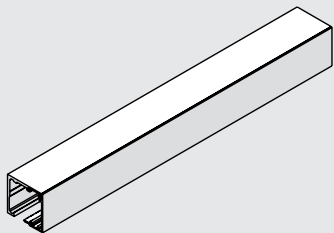
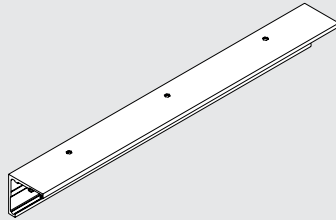
Component parts

Track and cover extrusions – XL 120 Systems

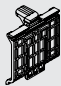

	<p>Premium XL 120 SC wall track</p> <p>Track rail for XL 120 Self-Closing (SC) function for wall installation</p> <p>Fixed length 157-1/2" (4000) Ref. No. 936.850</p> <p>Specify length (by ft.) Ref. No. 836.651</p>		<p>Premium XL 120 SC ceiling track</p> <p>Track rail for ceiling surface mount for XL 120 Self-Closing (SC) function</p> <p>Fixed length 157-1/2" (4000) Ref. No. 936.852</p> <p>Specify length (by ft.) Ref. No. 836.653</p>
	<p>Premium XL 120 cover profile</p> <p>Cover profile for XL 120 Self-Closing function front cover</p> <p>Fixed length 157-1/2" (4000) Ref. No. 936.854</p> <p>Specify length (by ft.) Ref. No. 836.655</p>		<p>Premium XL 120 SC ceiling fixed panel track</p> <p>Track rail for ceiling, fixed panel surface mount XL 120 Self-Closing (SC)</p> <p>Fixed length 157-1/2" (4000) Ref. No. 936.856</p> <p>Specify length (by ft.) Ref. No. 936.857</p>
	<p>Premium XL 120 track front cover profile kit (CE-R)</p> <p>Fixed length 157-1/2" (4000) Ref. No. 936.656</p> <p>Specify length (by ft.) Ref. No. 936.657</p>		

Component parts

Track and cover extrusions – L 80 Systems

	<p>Comfort L 80 wall track Track rail for L 80 DM and L 80 wall installation Fixed length 157-1/2" (4000) Ref. No. 936.350 Specify length (by ft.) Ref. No. 836.351</p>		<p>Comfort L 80 ceiling track Track rail for L 80 DM and L 80 ceiling installation Fixed length 157-1/2" (4000) Ref. No. 936.352 Specify length (by ft.) Ref. No. 836.353</p>
	<p>Comfort L 80 cover Cover profile for L 80 DM and L 80 Fixed length 157-1/2" (4000) Ref. No. 936.359 Specify length (by ft.) Ref. No. 836.360</p>		<p>Comfort L 80 ceiling fixed panel track Track rail for ceiling, fixed panel surface mount for L 80 DM and L 80 ceiling installation Fixed length 157-1/2" (4000) Ref. No. 936.361 Specify length (by ft.) Ref. No. 936.362</p>

Cover clips

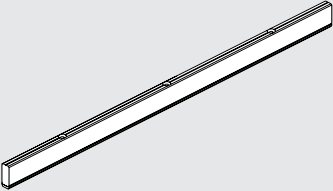
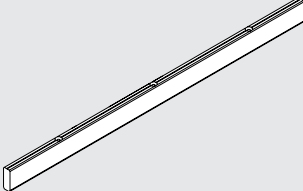
	<p>Cover clip for Premium XL systems Ea. Ref. No. 836.146</p>
	<p>Cover clip for Comfort L and M systems Ea. Ref. No. 836.147</p>

Fasteners packs


<p>#12 fasteners and anchors (5 ea.) for mounting MUTO track profile. Pk. Ref. No. 936.995</p>
<p>M6x14 for mounting sidelite profile or drop ceiling profile. Pk. Ref. No. 807.585</p>
<p>M6x35 for mounting drop ceiling profile. Pk. Ref. No. 836.585</p>

Component parts

Wood adapter sets

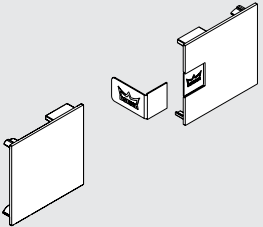
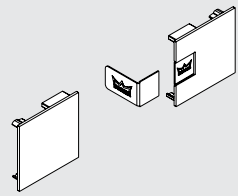
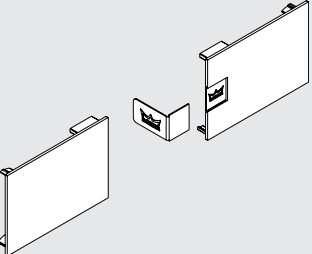
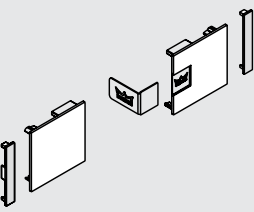
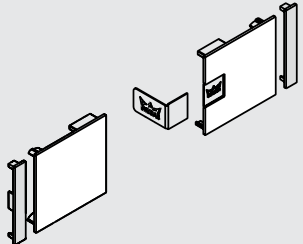
	<p>Premium XL 150 wood door kit</p> <p>Wood door adapter set for use with all XL systems; incl. mounting screws, wood door guide(s), and shim for XL mount</p> <p>Profile: 1/2" x 1-7/16" + 1/2" x 3/16" (12.5 x 36 + 12.5 x 4)</p> <p>Fixed full length 157-1/2" (4000) Ref. No. 936.463</p> <p>Fixed half length 78-3/4" (2000) Ref. No. 936.461</p> <p>Specify length (by ft.) Ref. No. 936.464</p>		<p>Comfort L 80 wood door kit</p> <p>Wood door adapter set for L 80 DM and L 80; incl. mounting screws and wood door guide(s)</p> <p>Profile: 1/2" x 1-7/16" (12.5 x 36)</p> <p>Fixed full length 157-1/2" (4000) Ref. No. 936.262</p> <p>Fixed half length 78-3/4" (2000) Ref. No. 936.261</p> <p>Specify length (by ft.) Ref. No. 936.263</p>
---	--	--	---

Wood door floor guide

	<p>MUTO wood door floor guide</p> <p>Adjustable 5/16" – 17/32" (8 – 13) Ref. No. 836.148</p>
---	--

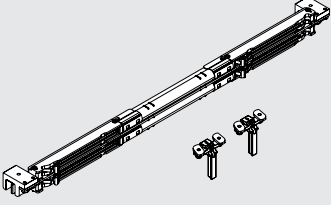
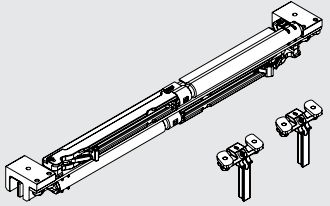
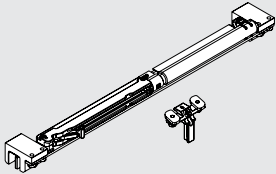
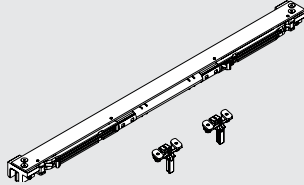
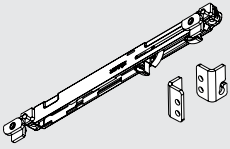
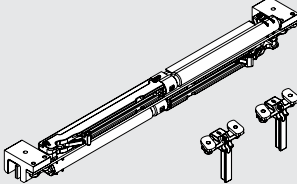
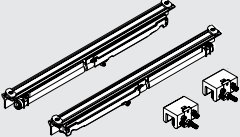
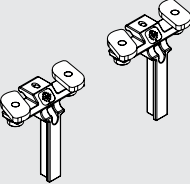
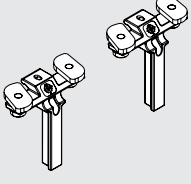
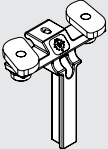
Component parts

Endcaps

	<p>Premium XL 150/80 endcaps</p> <p>Set endcaps for wall and ceiling installation for XL 150 DM, XL 150, XL 80 DM</p> <p>Ref. No. 836.556</p>		<p>Comfort L 80 endcaps</p> <p>Set endcaps for wall and ceiling installation for L 80 DM and L 80</p> <p>Ref. No. 836.354</p>
	<p>Premium XL 120 Self-Closing endcaps</p> <p>Set endcaps for XL 120 SC for wall and ceiling installation</p> <p>Ref. No. 836.656</p>		<p>Comfort L 80 glass mount endcaps</p> <p>Set endcaps for installation on glass for L 80 DM and L 80</p> <p>Ref. No. 836.260</p>
	<p>Premium XL 150/80 glass mount endcaps</p> <p>Set endcaps for installation on glass for XL 150 DM, XL 150, XL 80 DM</p> <p>Ref. No. 836.460</p>		

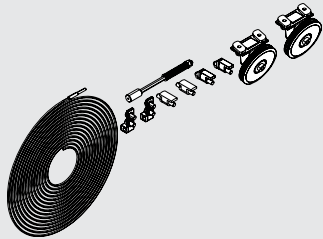
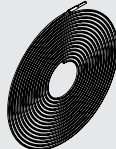
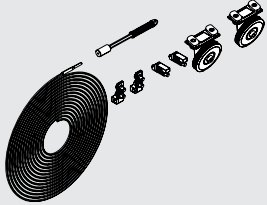

Component parts

DORMOTION accessories

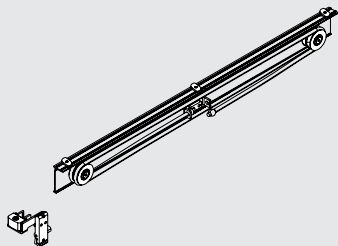
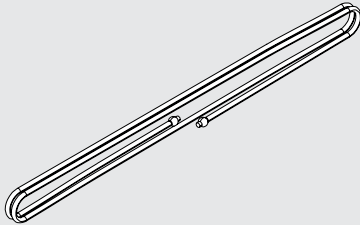
	<p>Premium XL 150 DORMOTION unit</p> <p>DORMOTION unit for max 330 lb (150 kg), with set of DM start/stops (min glass width 40-1/8" [1020])</p> <p>Ref. No. 836.558</p>		<p>Premium XL 80 DORMOTION unit</p> <p>DORMOTION unit for max 176 lb (80 kg), with set of DM start/stops (min glass width 31-7/8" [810])</p> <p>Ref. No. 836.557</p>
	<p>Premium XL 120 DORMOTION unit</p> <p>for Self-Closing function (closing direction only)</p> <p>for max 264 lb (120 kg) with DM start/stop</p> <p>Opening to right side (RH) Ref. No. 836.660</p> <p>Opening to left side (LH) Ref. No. 836.661</p>		<p>Comfort L 80 DORMOTION unit</p> <p>L 80 DORMOTION spring cushioning unit for max 176 lb (80 kg), min panel width 39" (991), with set of start/stops</p> <p>Ref. No. 836.355</p>
	<p>Premium XL 120 SC DMSC Accessory Set</p> <p>Includes DORMOTION Cushion for opening cycle and 1 DM start/stop</p> <p>Ref. No. 836.786</p>		<p>Premium XL 80 TEL DM Accessory Set</p> <p>Includes DORMOTION Cushion and 2 DM start/stops</p> <p>Ref. No. 836.786</p>
	<p>Comfort L80 DORMOTION unit</p> <p>L80 DORMOTION spring cushioning set for max 176 lb (80 kg), min panel width 26" (660) with set of start/stops</p> <p>Ref. No. 836.361</p>		
<h2>DORMOTION start/stop kits</h2>			
	<p>Premium XL DM start/stop set</p> <p>DORMOTION start/stop set</p> <p>Ref. No. 836.559</p>		<p>Comfort L 80 DM start/stop set</p> <p>L 80 DORMOTION start/stop set</p> <p>Ref. No. 836.356</p>
	<p>Premium XL 120 Self-Closing start/stop</p> <p>For Self-Closing DORMOTION</p> <p>One piece service part</p> <p>Ref. No. 836.662</p>		

Component parts

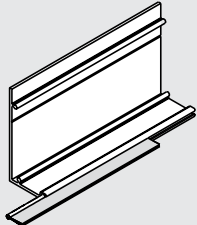
Synchro accessories

	<p>Premium XL 150 Synchro set (wire, pulley etc.) Synchro set complete with accessories (Not compatible with XL 150 DM) Ref. No. 836.560</p>		<p>Comfort Synchro service wire Replacement cable for Synchro set Ref. No. 836.358</p>
	<p>Comfort L 80 Synchro set (wire, pulley etc.) Synchro set complete with accessories Ref. No. 836.357</p>		<p>Premium XL 80 TEL service cable Replacement cable and bracket set; not compatible with Synchro Cable (Extended lead-time) 836.515.001.55 (LH) 836.515.002.55 (RH)</p>

Self-closing accessories

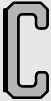
	<p>Premium XL 120 Self-Closing assembly Flexi-cable unit for Self-Closing function, complete with accessories Opening to right side (RH) Ref. No. 836.657 Opening to left side (LH) Ref. No. 836.658</p>		<p>Premium XL 120 Self-Closing flexi-cable Flexi-cable for Self-Closing function Service part Ref. No. 836.659</p>
---	---	--	--

Brush profiles

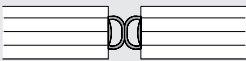
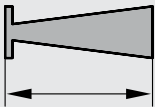
	<p>Comfort brush profile Brush profile (slides into cover groove) Specify length (by ft.) for 5/16" – 3/8" (8 – 10) glass Ref. No. 836.912 for 1/2" – 9/16" (12 – 13.5) glass Ref. No. 836.913</p>
---	---

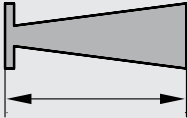
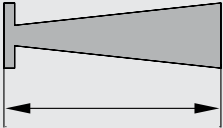
Component parts

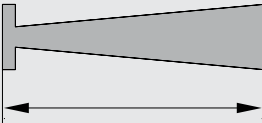
Brush seal carrier

	<p>Premium/Comfort carrier profile For vertical brush seal, aluminum color</p> <p>Stock length 177-1/8" (4,5 m) Ref. No. 836.826</p>
---	---

Brush seals for XL 80 TEL

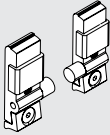
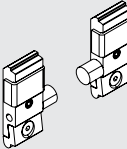
	<p>Premium/Comfort vertical bulb/Tubular seal</p> <p>For leading edge of glass to jamb/glass to glass; clear-frost</p> <p>Specify length (by ft.) (2x required for pairs) Ref. No. 815.509</p>	 <p>Premium/Comfort vertical brush seal</p> <p>For gaps 1/2"-5/8" (13-16) ; grey</p> <p>Specify length (by ft.) Ref. No. 836.860</p>
---	--	--

	<p>Premium/Comfort vertical brush seal</p> <p>For gaps >5/8"-3/4" (>16-19) ; grey</p> <p>Specify length (by ft.) Ref. No. 836.861</p>	 <p>Premium/Comfort vertical brush seal</p> <p>For gaps >3/8"-29/32" (>19-23) ; grey</p> <p>Specify length (by ft.) Ref. No. 836.862</p>
--	--	--

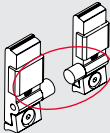
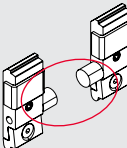
	<p>Premium/Comfort vertical brush seal</p> <p>For gaps >29/32"-1-1/16" (>23-27) ; grey</p> <p>Specify length (by ft.) Ref. No. 836.863</p>
---	---

Component parts

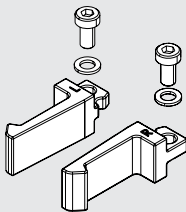
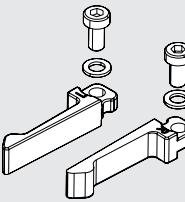
Endstops

	<p>Premium XL 150/120/80 endstops</p> <p>Endstop set, 2 pieces, for use with XL 150 DM, XL 150, XL 120 SC, XL 80 DM</p> <p>Ref. No. 836.465</p>		<p>Comfort L 80 endstop set</p> <p>Endcap set 2 pieces for use with L 80 DM or L 80</p> <p>Ref. No. 836.267</p>
---	---	--	---

Bumper sets

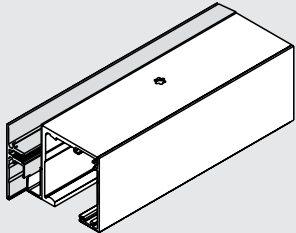
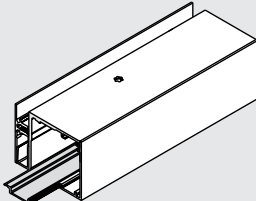
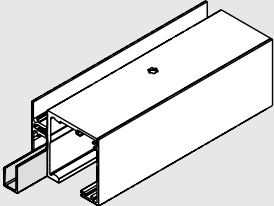
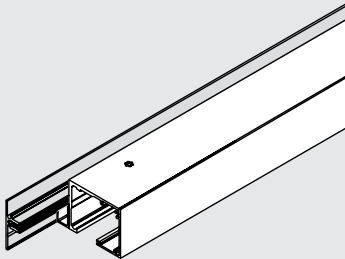
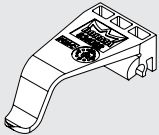
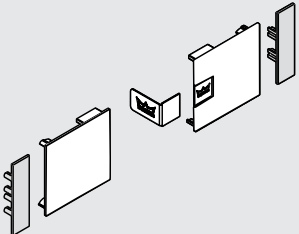
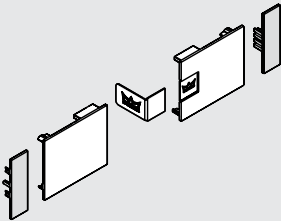
	<p>Premium XL 150/120/80 bumper set</p> <p>Set of 2 bumpers; used in endstops for XL 150/120/80</p> <p>Ref. No. 836.466</p>		<p>Comfort L 80 bumper set</p> <p>Set of 2 bumpers; used in endstops for L 80 DM or L 80</p> <p>Ref. No. 836.268</p>
---	---	--	--

Holder hook sets

	<p>Premium XL 150 hook set</p> <p>Hook set, 2 pieces, for use with XL 150; attaches to roller carrier (Not compatible with XL 150 DM or XL 80 DM)</p> <p>Ref. No. 836.467</p>		<p>Comfort L 80 hook set</p> <p>Hook set, 2 pieces, for use with L 80 (not compatible with DM)</p> <p>Ref. No. 836.269</p>
---	---	--	--

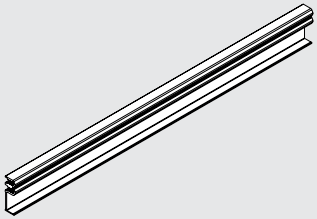
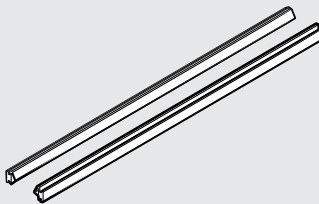
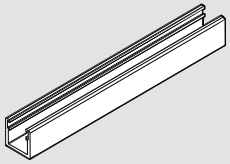
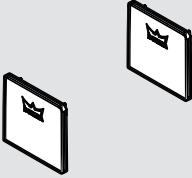



Component parts

Sidelite (fixed panel) extrusions and accessories

	<p>Premium XL sidelite profile</p> <p>Sidelite profile (2-3/4" [69] high) for sidelite connection at top. Complete with all gaskets For use with XL 150 DM, XL 150, XL 120 SC, XL 80 DM</p> <p>Fixed length 157-1/2" (4000) Ref. No. 936.469</p> <p>Specify length (by ft.) Ref. No. 836.474</p>		<p>Comfort sidelite view protection profile</p> <p>Use sidelite profile with XL or L systems 2-5/16" + 2-3/4" (58 + 69) high</p> <p>Fixed length 157-1/2" (4000) Ref. No. 936.800</p> <p>Specify length (by ft.) Ref. No. 836.801</p>
	<p>Comfort sidelite filling profile</p> <p>For use with XL or L sidelite profile</p> <p>2-5/16" + 2-3/4" (58 + 69) high</p> <p>Fixed length 157-1/2" (4000) Ref. No. 936.802</p> <p>Specify length (by ft.) Ref. No. 836.803</p>		<p>Comfort L 80 sidelite profile</p> <p>Sidelite profile for sidelite connection at top for use with L 80 DM and L 80, 2-5/16" (58) high, complete with all gaskets; for 5/16" – 9/16" (8 – 13.5) thick glass.</p> <p>Fixed length 157-1/2" (4000) Ref. No. 936.272</p> <p>Specify length (by ft.) Ref. No. 836.274</p>
	<p>View profile clip</p> <p>For use with view profile extrusion for Sidelite application</p> <p>Ref. No. 836.891</p>		
	<p>Premium XL sidelite endcaps</p> <p>Set endcaps for sidelite profile for use with all XL systems</p> <p>2-3/4" (69) high Ref. No. 836.471</p>		<p>Comfort L 80 sidelite endcaps</p> <p>Set endcaps for sidelite profile</p> <p>2-5/16" (58) high Ref. No. 836.273</p>

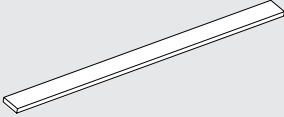

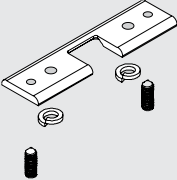
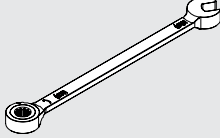
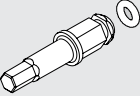
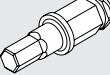
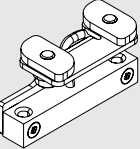
Component parts

Sidelite (fixed panel) extrusions and accessories

	<p>Comfort 150/120/80 drop ceiling connector profile Incl. extrusion and fasteners Fixed length 157-1/2" (4000) Ref. No. 836.821 Specify length (by ft.) Ref. No. 836.820</p>		<p>U-Channel gaskets Gasket for 1/2" (12-13.5) thick glass Specify length (by ft.) Ref. No. 925.147 Gasket for 3/8" (10) thick glass Specify length (by ft.) Ref. No. 925.148</p>
	<p>Dri-Fit® pre-drilled U-Channel Connecting profile for fixed panel (sidelite) fixing Profile for 3/8" - 1/2" (10 - 13) thick glass Specify length (by ft.) Ref. No. 925.447</p>		<p>U-Channel endcaps Set endcaps for Ref. No. 925.447 Ref. No. 925.121</p>
	<p>Sidelite profile gasket 5/16"-3/8" (8-10) thick glass; black Ref. No. 836.195</p>		<p>Sidelite profile gasket 3/8"-1/2" (10-13) thick glass; black Ref. No. 836.196</p>
	<p>Sidelite profile gasket 1/2"-17/32" (13-13.5) thick glass; black Ref. No. 836.197</p>		

Component parts


Recessed mount (CE-R) accessories

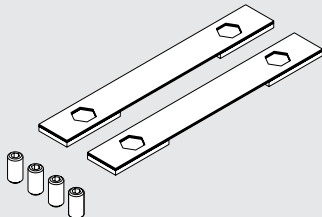
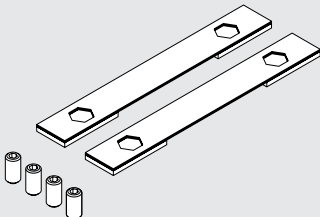
	<p>Foam, adhesive back 3/16" (5) vinyl Supplied optional for CE-R units, 50 ft. Roll Grey Ref. No. 933.915</p>		<p>XL Premium recessed cover clip Ref. No. 936.145</p>
	<p>XL Premium recessed start/stop service plate Ref. No. 936.561</p>		<p>Wrench, 6MM ratcheting / combo Use with Ref. No. 936.898 and Ref. No. 936.899 hex bit in CE-R units Ref. No. 936.897</p>
	<p>M4 Long hex bit Recessed mount service item Ref. No. 936.898</p>		<p>M4 Short hex bit Recessed mount service item Ref. No. 936.899</p>
	<p>MUTO status indicator Status indicator set, complete with accessories (sensor, cable, etc.) Ref. No. 836.840</p>		

Component parts


Tempered Laminated Glass (TLG) accessories

	<p>TLG applicator (LGAA) 3M™ Scotch-Weld™ EPX™ plus II applicator with 2:1 and 1:1 plunger Ref. No. 934.801</p>		<p>TLG mixing nozzle (MTIPS) 3M™ Scotch-Weld™ urethane adhesive, DP 605 NS, off white, 1 tube per 4 roller carriers Ref. No. 934.805</p>
---	---	---	--

	<p>TLG adhesive (LGA) 3M™ Scotch-Weld™ EPX™ plus II mixing square nozzle, 5.3 mm (4 tips per set) Ref. No. 934.800</p>
---	--

	<p>Premium XL 150 Tempered Laminated Glass (TLG) roller gasket Accessory set for use with TLG for one pair of clamp carriers Requires optional adhesive components Ref. No. 836.468</p>		<p>Comfort L 80 Tempered Laminated Glass (TLG) roller gasket Accessory set for use with TLG for one pair of clamp carriers Requires optional adhesive components Ref. No. 836.270</p>
--	---	---	---

Installation accessories

	<p>MUTO carrier locating tool Accessory tool for quickly and easily locating roller carrier on top of moving panel Ref. No. 936.999</p>
---	---



Entrance
Systems

Our Sustainability Commitment

We are committed to fostering sustainable development along our entire value chain in line with our economic, environmental and social responsibilities toward current and future generations.

Sustainability at product level is an important, future-oriented approach in the field of construction. In order to give quantified disclosures of a product's environmental impacts through its entire life cycle, dormakaba provides Environmental Product Declarations (EPDs), in which the results of the life cycle assessment (LCA) are presented.

The full EPD is available for download at

<https://www.dormakabagroup.com/en/sustainability/product-declarations>.

2.19 EO 07000515, EN, 04/2024
Subject to change without notice

dormakaba USA Inc.
Dorma Drive, Drawer AC
Reamstown, PA 17567
844-SPECNOW



dormakaba.com