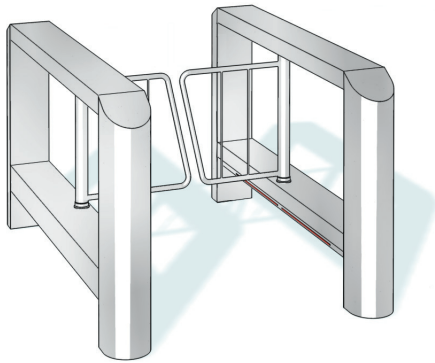


HSB-M01 sensor barriers

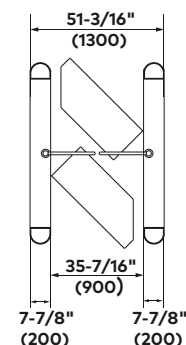
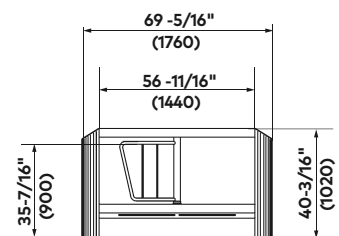
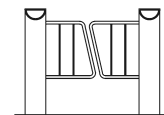
Moderate



Moderate units offer tailgating monitoring.

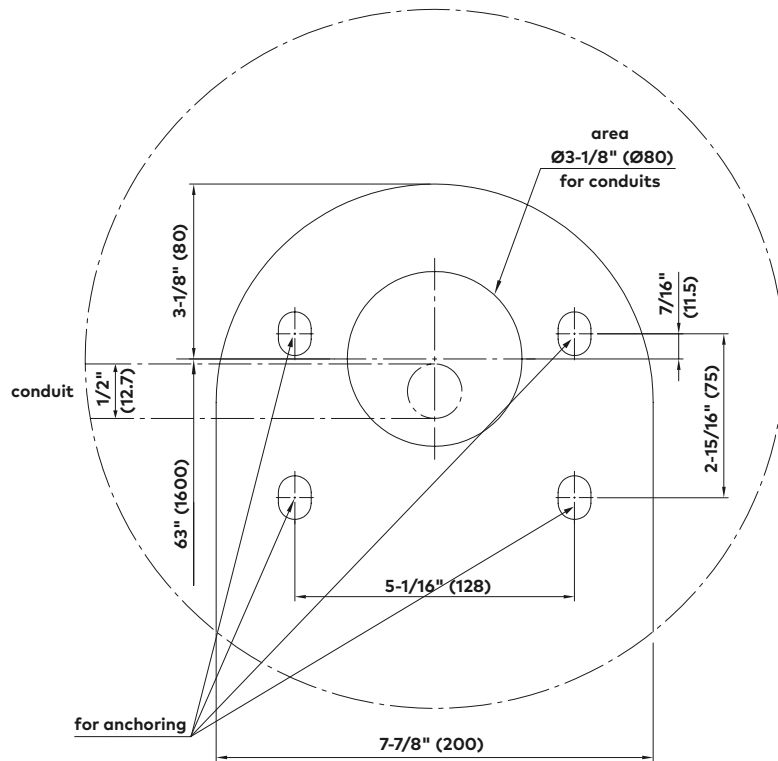
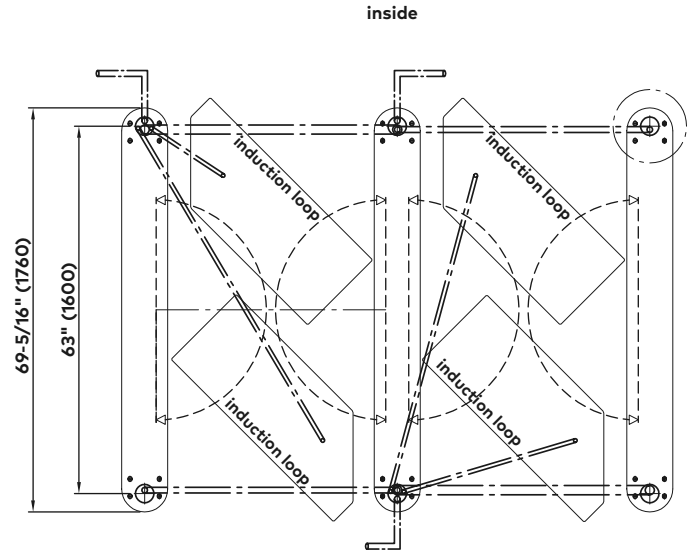
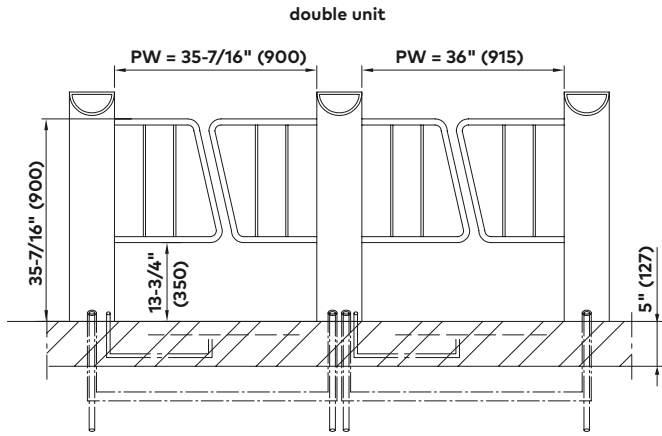
Standard units	HSB-M01
	Note: Description of single unit
Interlock height	40-3/16" (1020)
Interlock length	69-5/16" (1760)
Passage width	35-7/16" (900)
Total width	51-3/16" (1300)
Housing, base columns, guiding elements	AISI 304 stainless steel with satin finish.
ADA compliance	36" (915) width available.
Barrier elements	Two door leaves made of curved AISI 304, Ø1-1/16" (26.9) stainless steel tubes with Ø 3/8" (10) vertical struts, upper edge 35-7/16" (900). Swinging area monitored by a light grid.
Security	Passage area monitored by basic sensor system with a compact installation length (basic level of single passage monitoring in both directions)
Finish	Stainless steel semi-gloss smooth finish.
Safety	Low energy drive with energy content less than 1.18 lb/ft.
Function	Type 2-power assisted motion; two servo-positioning drives/ electrically controlled in both directions.
Drives	Integrated in the swing tube.
Operating modes	Optical. Normally closed. Normally opened. (Barriers close on tailgate event.)
Electrical equipment	Control system and power supply integrated in the unit.
Power supply	110 – 230 VAC, 50/60 Hz. 368 VA
Standby power consumption	17 VA
Standard adjustment in case of power failure	Door leaves move freely.
Installation	Dowelled on finished floor level FFL. Suitable for outdoor installation.
Protection classes	Housing IP54, components conducting supply voltage IP54.

HSB-M01



HSB-M01

Installation drawings



Note

Dimensions shown as inches followed by millimeters; for example, 1" (25).