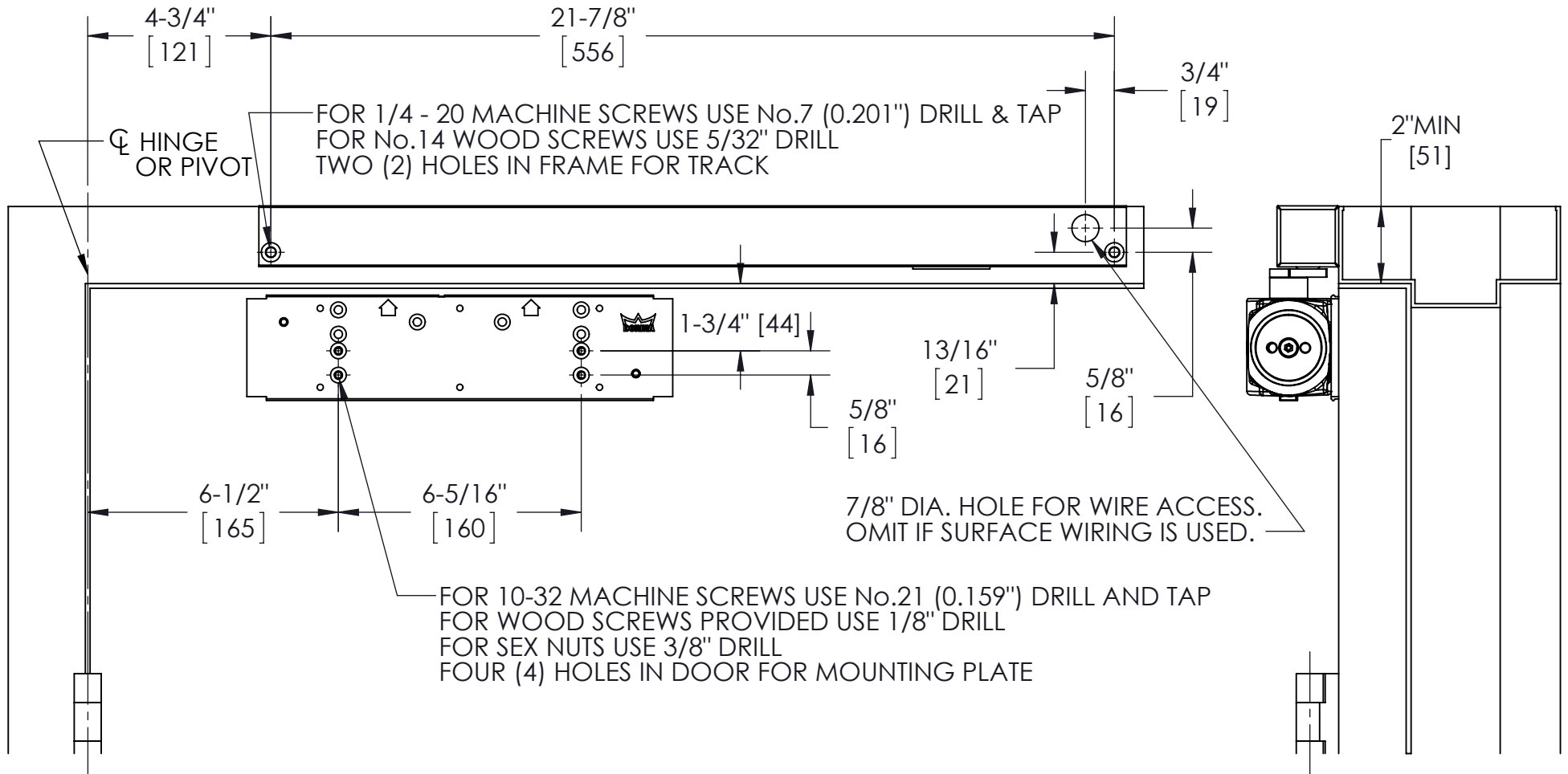


NOTES:

1. DO NOT SCALE DRAWING.
2. DIMENSIONS ARE IN INCHES/(MM).
3. CAUTION: SEX NUTS ARE REQUIRED FOR ATTACHMENT OF COMPONENTS TO UNREINFORCED DOORS AND TO WOOD OR PLASTIC FACED COMPOSITE TYPE FIRE DOORS, UNLESS AN ALTERNATIVE METHOD IS IDENTIFIED IN THE INDIVIDUAL DOOR MANUFACTURER'S LISTINGS.

4. CAUTION-DORMA RECOMMENDS FRAME REINFORCEMENT (BY OTHERS) TO BE SUPPLIED AND IN PLACE BEFORE FRAME IS INSTALLED.
5. TEMPLATE FOR 4-1/2" X 4-1/2" BUTT HINGES AND 3/4" OFFSET PIVOTS.
6. MINIMUM DOOR WIDTH 32".
7. HOLD OPEN RANGE 80°-125°.
8. MAXIMUM OPENING 170°.
9. RIGHT HAND DOOR SHOWN



Always consult DORMA's web site for latest template at www.dorma-usa.com or call 1-800-523-8483.

TRACK INSTALLATION (PULL SIDE MOUNT)
 DOOR CLOSER MODELS: TS93 EMF/T



DORMA Architectural Hardware
 Reamstown, PA 17567