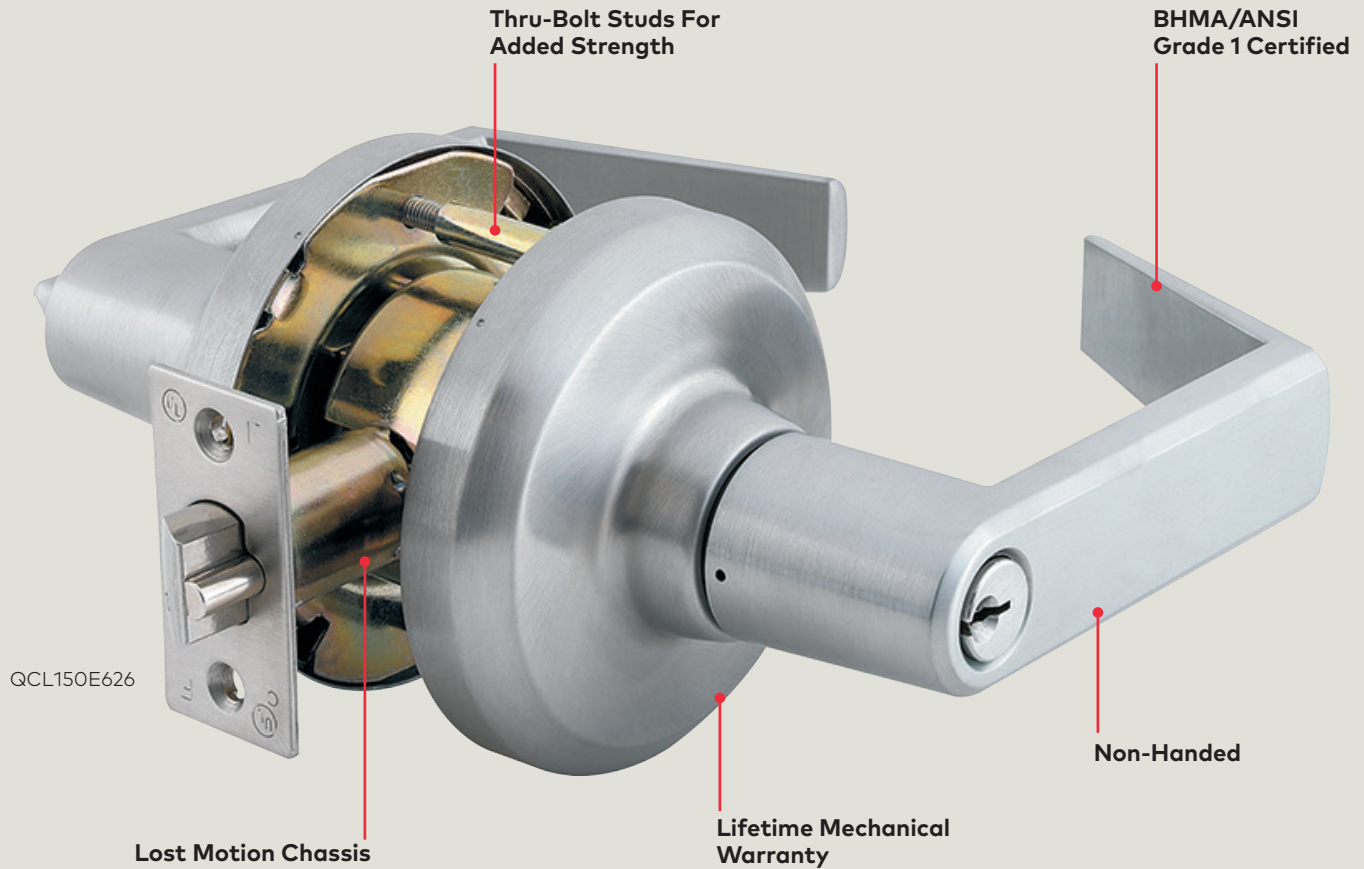


# QCL100 Cylindrical Lock FAQ



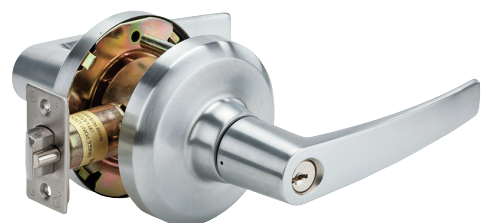
## QCL100 Cylindrical Lock



### Additional QCL100 Lever Styles



QCL140M625



QCL160A626

### **What is the QCL100?**

The QCL100 is a grade 1 cylindrical lever set. The QCL100 comes standard with a lost motion chassis that provides resistance to internal damage caused by physical force to the lever. Its thru-bolt design and heavy-duty spring tension provides longer performance life and prevents lever droop.

### **Who is the QCL100 customer?**

The QCL100 is a cost-effective option for non-institutional applications such as hospitality, multi-family and commercial office spaces.

### **Does the QCL100 fit the standard door prep?**

Yes, the QCL100 fits the standard door prep (161). The QCL100 shares the same thru-bolt hole pattern as Schlage and Corbin Russwin.

### **What functions are offered for the QCL100?**

The QCL100 is available in 9 functions (i.e., single dummy, passage, communicating, privacy, entry/office, corridor, classroom, classroom security & storeroom).

### **Are there electrified options available for the QCL100?**

There are 5 electrified options available, including Electronically Locked, Electronically Unlocked, Request to Exit, Electronically Unlocked with Request to Exit and Electronically Unlocked with Request to Exit

### **What door thickness range can the QCL100 accommodate?**

The QCL100 can be field adjusted to fit doors 1-3/8" – 2" thick.

### **What back sets are available for the QCL100?**

The QCL100 can be ordered with a 2-3/8", 2-3/4" or 5" back set dead locking latch. In addition, square, radius and fire-rated latches are available to choose from.

### **What lever styles are offered for the QCL100?**

The QCL100 has 3 lever styles (i.e., Sierra, Summit & Slate).

### **Do you have to specify handing when ordering a QCL100?**

The QCL100 is non-handed, so you can simply flip it around to fit the specific application.

### **Does the QCL100 come with a core?**

The QCL100 can be ordered with a Small Format Interchangeable Core (SFIC) or as Less Cylinder.

### **What keyways are available to order on the QCL100?**

The QCL100 is available to order with the following keyways: BEST "F" SFIC, Kwikset "KW", Weiser "E", Schlage "C", Yale "GA" and Sargent "LA".

### **What finishes are offered for the QCL100?**

The QCL100 is available in 5 finishes: 605, 613, 619, 625 & 626. The QCL140 is available in a split trim finish that features 625 on the interior and 626 on the exterior.

### **What is the lead time for a QCL100?**

The average lead time for a QCL100 is less than 2 weeks.

### **What warranty does the QCL100 have?**

The QCL100 has a limited lifetime mechanical warranty, 3 year finish warranty and a 1 year electrical warranty. The 613 finish is not covered under the 3 year finish warranty.