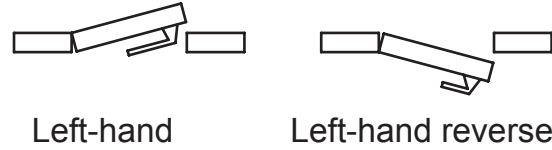


SIMPLEX 5000

Drilling Template

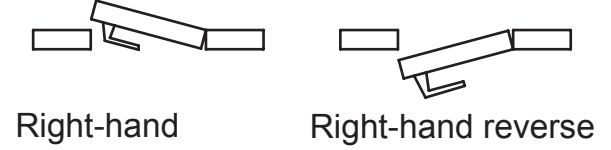
Left-hand door

Handing: Look at the door from exterior side. Use the corresponding diagram below to determine the handing of your door.



Right hand-door

Handing: Look at the door from exterior side. Use the corresponding diagram below to determine the handing of your door.



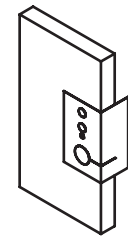
Verify exactly 1" [25.4mm].



Measure scale after printing.

Template to scale 1:1, full size

Be sure the fold is exactly on the edge of door (high beveled edge).

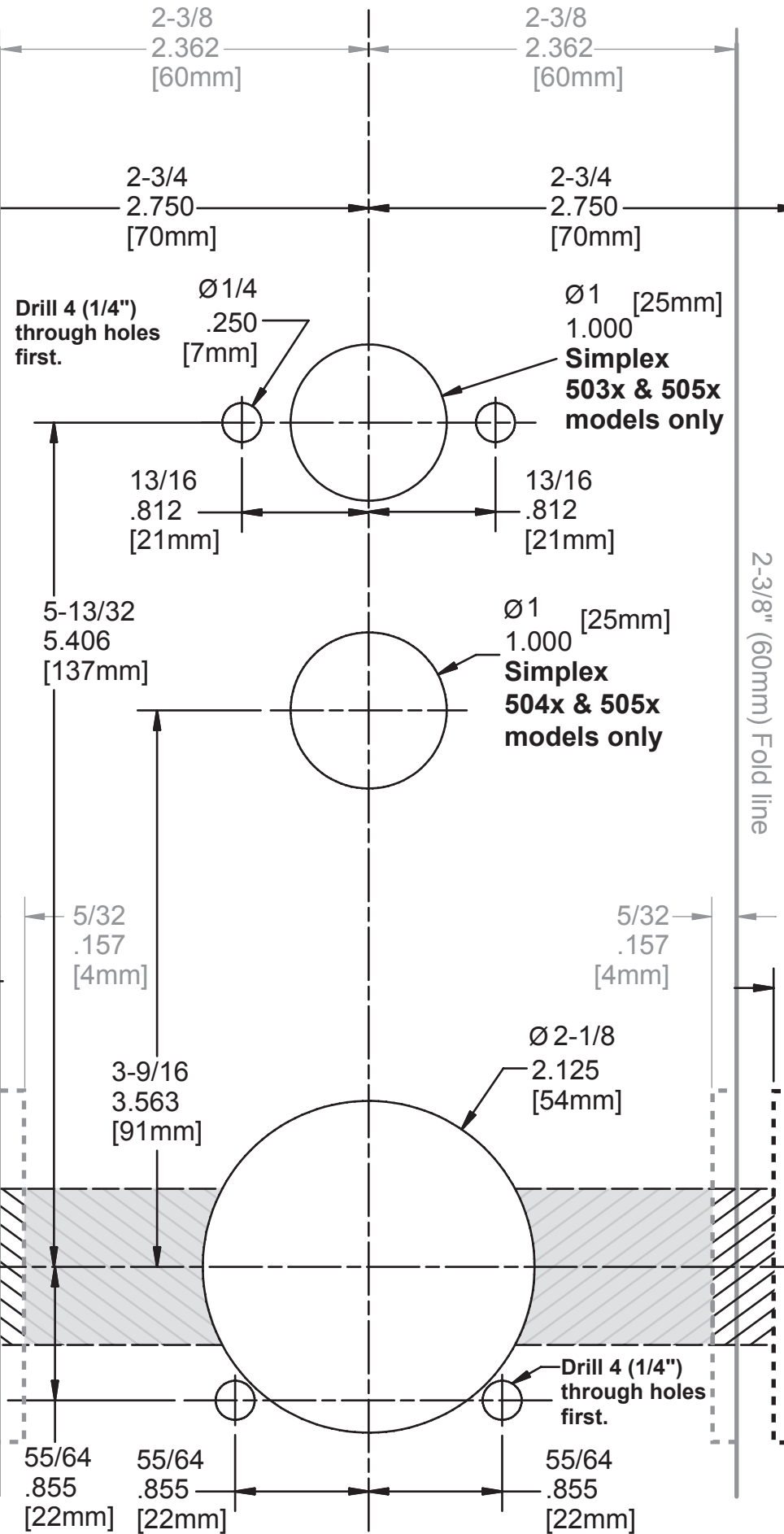


Mark centerline of door thickness for 1" [25mm] dia. latch hole.

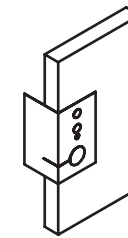
- 1-3/8" [35mm]
- 1-1/2" [38mm]
- 1-3/4" [44mm]
- 2" [51mm]
- 2-1/4" [57mm]

2-3/4" (70mm) Fold line

2-3/8" (60mm) Fold line



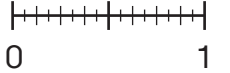
Be sure the fold is exactly on the edge of door (high beveled edge).



Mark centerline of door thickness for 1" [25mm] DIA latch hole.

- 1-3/8" [35mm]
- 1-1/2" [38mm]
- 1-3/4" [44mm]
- 2" [51mm]
- 2-1/4" [57mm]

Verify exactly 1" [25.4mm].



Measure scale after printing.

Template to scale 1:1, full size