

Adjustable Furniture Dead Lock MAS.1350



Application:

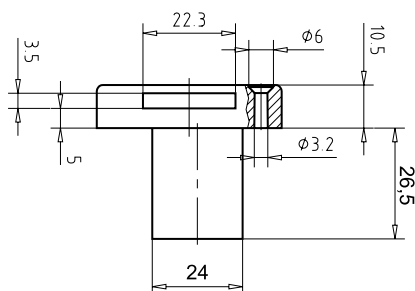
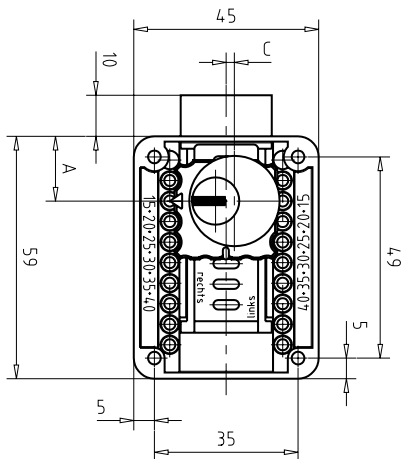
Surface mounted bolt lock with adjustable backset (15-40 mm)
Can be used with left or right doors as well as on top and bottom locking drawers.

Specification:

Lock case made from nickel plated metal
Cylinder 97-4-045 (see page K.116)
Reversible key made from nickel silver
Cylinder length 26.5mm unless specified otherwise (see lengths)

Included with the lock:

2 reversible keys (See "Special Functions and Keys" for key options)
Plastic key clip in dark red for Kaba penta, in dark blue for all other systems
Rosette
2ea screws M 2.5 x 6 mm
2ea screws M3 x 8 mm
Security Card for ownership registration and ordering duplicate keys
Installation and Maintenance Instructions



A = Backset adjustable from 15-40 mm

Premier Systems:	6 Kaba penta	7 Kaba quattro pluS	12 Kaba gemini pluS
Patent expired systems	4 Kaba quattro S	2 Kaba gemini S	
Old systems	3 Kaba quattro ¹⁾	1 Kaba gemini ¹⁾	
Dealer systems	5 Kaba experT ²⁾	19 Kaba maTriX ²⁾	
Old dealer system		9 Kaba gemini T ²⁾	

Length Standard - 26.5mm , unless otherwise specified
Options - 36.5, 41.5 mm
Other lengths upon request only

Options (See „Special Functions and Keys“ for details and further options)

BAZ	Construction key	BAZ3	Construction key 3		

Standard Surface Finishes (for lock cylinder)

NI - Nickel plated	MS - Brass natural	
--------------------	--------------------	--

Optional Surface Finishes

BH - brown light	MP - Brass polished	CR - Chrome standard
BM - brown medium	MSA - Brass antique	CRM - Chrom dull
BD - brown dark		CRP - Chrome polished
NIC - chemically nickel plated		
GO - gold plated		

Order Code System

System Code.Lock.Type.Suface Finish cylinder.(Length).Option

Example:

6.MAS.1350.NI.36,5 = penta.furniture dead lock.nickel plated cylinder.length cylinder 36.5mm

Please note that certain options, finishes and dimensions may be subject to extended factory lead times. Please contact our office via email on sales.uk@kaba.com or telephone (0) 870 000 5625.

¹⁾ Kaba gemini and Kaba quattro are only offered for existing master key systems.

²⁾ Kaba experT, Kaba maTriX and Kaba gemini T are only sold to authorized dealers.