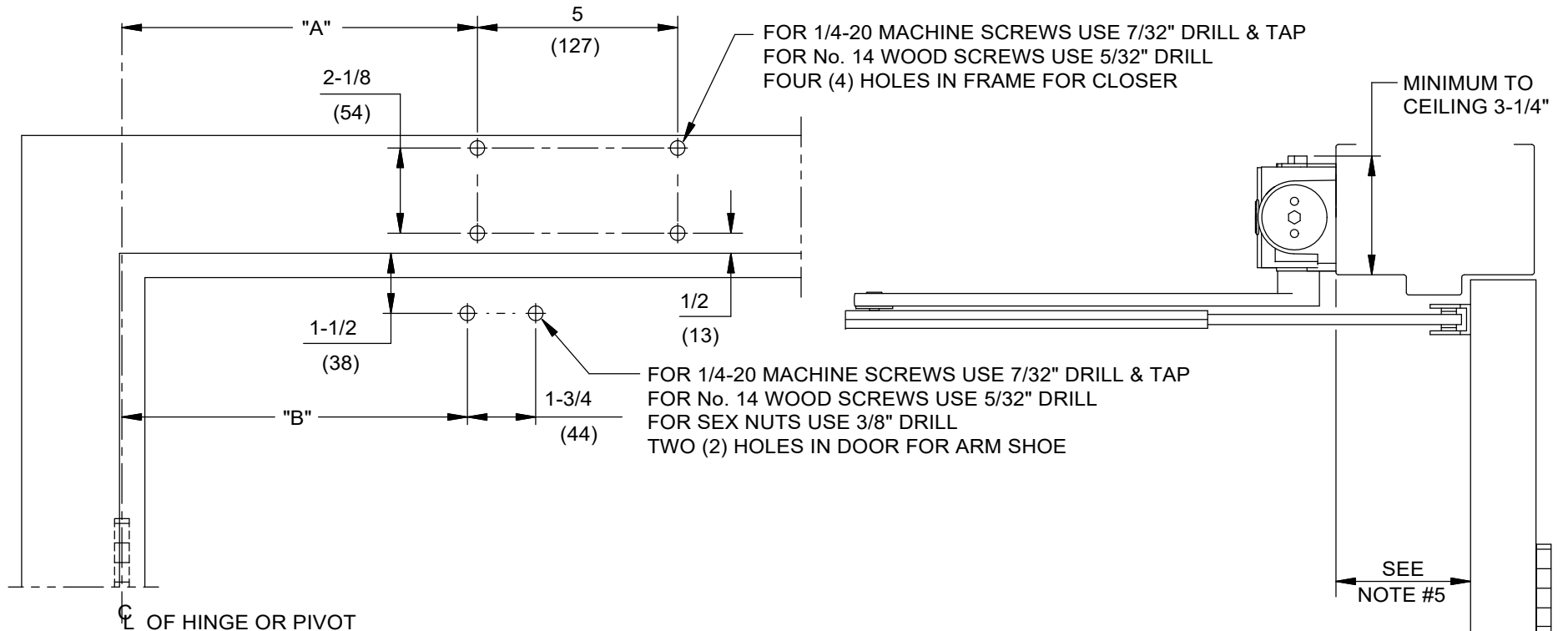


NOTES:

1. DO NOT SCALE DRAWING.
2. LEFT HAND DOOR SHOWN.
3. DIMENSIONS ARE IN INCHES/(MM).
4. CAUTION: SEX NUTS ARE REQUIRED FOR ATTACHMENT OF COMPONENTS TO UNREINFORCED DOORS AND TO WOOD OR PLASTIC FACED COMPOSITE TYPE FIRE DOORS, UNLESS AN ALTERNATIVE METHOD IS IDENTIFIED IN THE INDIVIDUAL DOOR MANUFACTURER'S LISTINGS.
5. SEE CATALOG FOR REVEAL INFORMATION.
6. MAXIMUM OPENING 180°.

ANGLE OF OPENING	DIM. "A" CLOSER	DIM. "B" ARM SHOE
TO 100°	$\frac{12-7}{8}$ (327)	$\frac{12-5}{8}$ (321)
OVER 100°	$\frac{8-7}{8}$ (225)	$\frac{8-5}{8}$ (219)

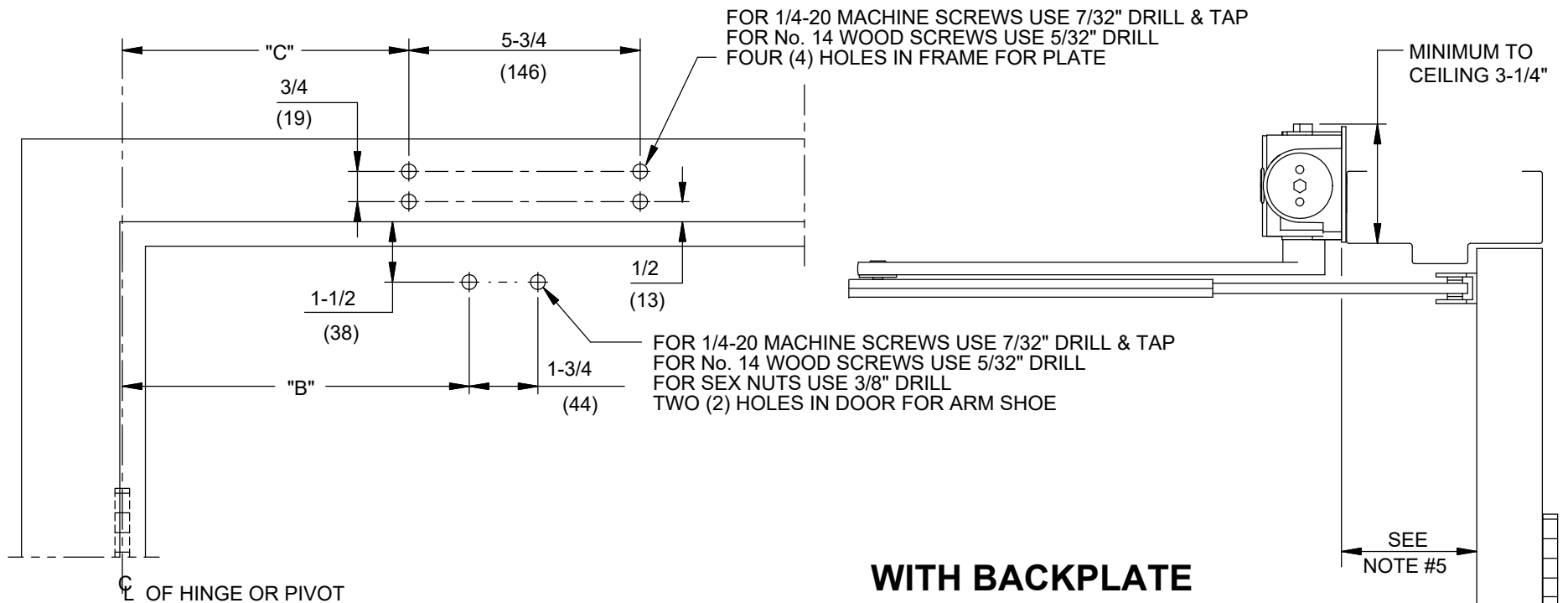


DOOR CLOSER MODELS: STA 8916 AR
TOP JAMB INSTALLATION (PUSH SIDE MOUNT)

NOTES:

1. DO NOT SCALE DRAWING.
2. LEFT HAND DOOR SHOWN.
3. DIMENSIONS ARE IN INCHES/(MM).
4. CAUTION: SEX NUTS ARE REQUIRED FOR ATTACHMENT OF COMPONENTS TO UNREINFORCED DOORS AND TO WOOD OR PLASTIC FACED COMPOSITE TYPE FIRE DOORS, UNLESS AN ALTERNATIVE METHOD IS IDENTIFIED IN THE INDIVIDUAL DOOR MANUFACTURER'S LISTINGS.
5. SEE CATALOG FOR REVEAL INFORMATION.
6. MAXIMUM OPENING 180°.

ANGLE OF OPENING	DIM. "B" ARM SHOE	DIM. "C" PLATE
TO 100°	$\frac{12-5}{8}$ (321)	$\frac{11-1}{8}$ (283)
OVER 100°	$\frac{8-5}{8}$ (219)	$\frac{7-1}{8}$ (181)

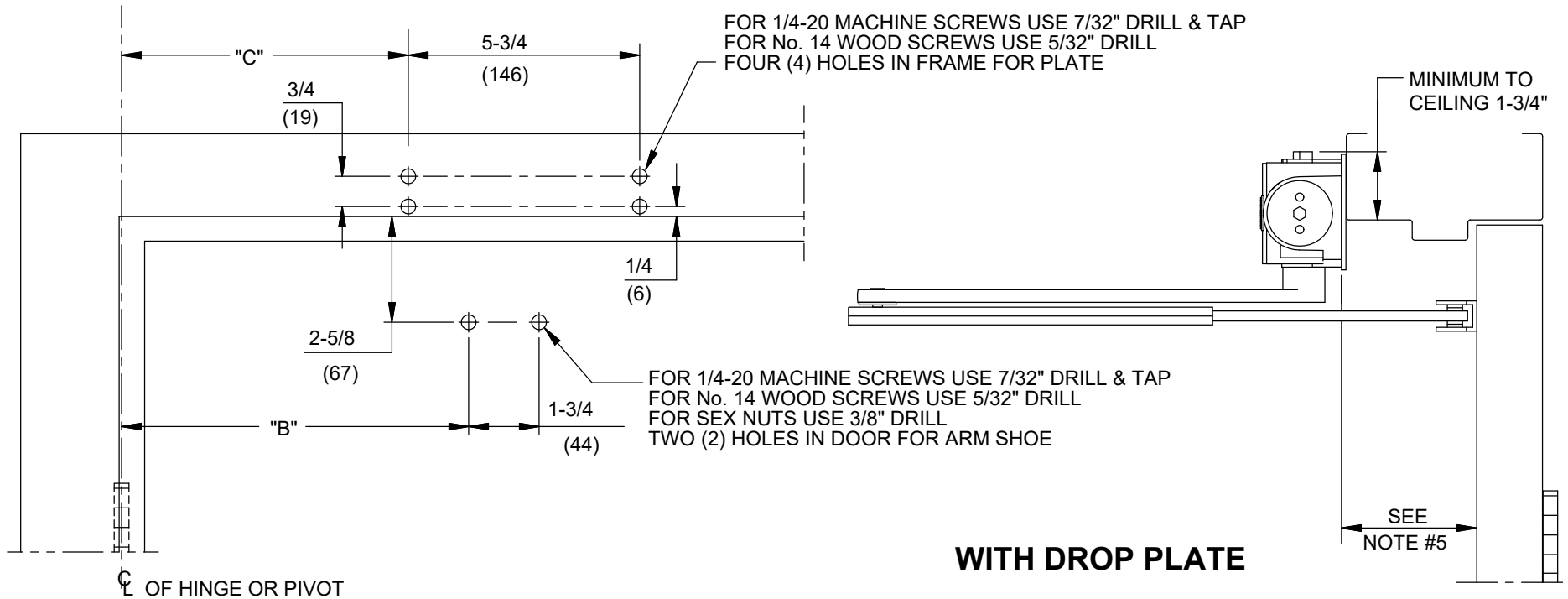


DOOR CLOSER MODELS: STA 8916 AR
TOP JAMB INSTALLATION (PUSH SIDE MOUNT)
WITH PLATE BP89

NOTES:

1. DO NOT SCALE DRAWING.
2. LEFT HAND DOOR SHOWN.
3. DIMENSIONS ARE IN INCHES/(MM).
4. CAUTION: SEX NUTS ARE REQUIRED FOR ATTACHMENT OF COMPONENTS TO UNREINFORCED DOORS AND TO WOOD OR PLASTIC FACED COMPOSITE TYPE FIRE DOORS, UNLESS AN ALTERNATIVE METHOD IS IDENTIFIED IN THE INDIVIDUAL DOOR MANUFACTURER'S LISTINGS.
5. SEE CATALOG FOR REVEAL INFORMATION.
6. MAXIMUM OPENING 180°.

ANGLE OF OPENING	DIM. "B" ARM SHOE	DIM. "C" PLATE
TO 100°	$\frac{12-5}{8}$ (321)	$\frac{11-1}{8}$ (283)
OVER 100°	$\frac{8-5}{8}$ (219)	$\frac{7-1}{8}$ (181)



DOOR CLOSER MODELS: STA 8916 AR
TOP JAMB INSTALLATION (PUSH SIDE MOUNT)
WITH PLATE BP89 DROP