

GENERAL NOTES

CONTRACTOR SHOULD CHECK & TAKE NOTE OF ALL DIMENSIONS AS C.D.C. (CRANE DOOR CO.) ASSUMES NO RESPONSIBILITY BEYOND MANUFACTURING IN ACCORDANCE WITH THE DIMENSIONS SHOWN ON SHOP DRAWINGS.

APPROVAL INDICATES THAT THIS SHOP DRAWING HAS BEEN CHECKED AND THAT YOU AUTHORIZE US TO FABRICATE MATERIALS AS SHOWN HERE-IN.

REVOLVING DOOR PERIMETER CAULKING (INCLUDING BASE SECTION TO FLOOR) AND CANOPY COVER CAULKING NOT BY C.D.C. ALL HOLES IN FLOOR NOT BY C.D.C.

MATERIAL TO BE:

.064 MIN. THICKNESS BRONZE SHEET 280 MUNTZ METAL.
.125 MIN. THICKNESS BRONZE EXTRUSION CDA 385 ALLOY.
(UNLESS OTHERWISE SPECIFIED)

FINISH TO BE:

SATIN AND LACQUERED

GLASS TO BE: CLEAR

1/2" TEMPERED FLOAT FOR WINGS (FACTORY GLAZED)
9/16" BENT LAMINATED FLOAT FOR ENCLOSURE
13/16" POLYURETHANE LAMINATED FLOAT FOR CEILING

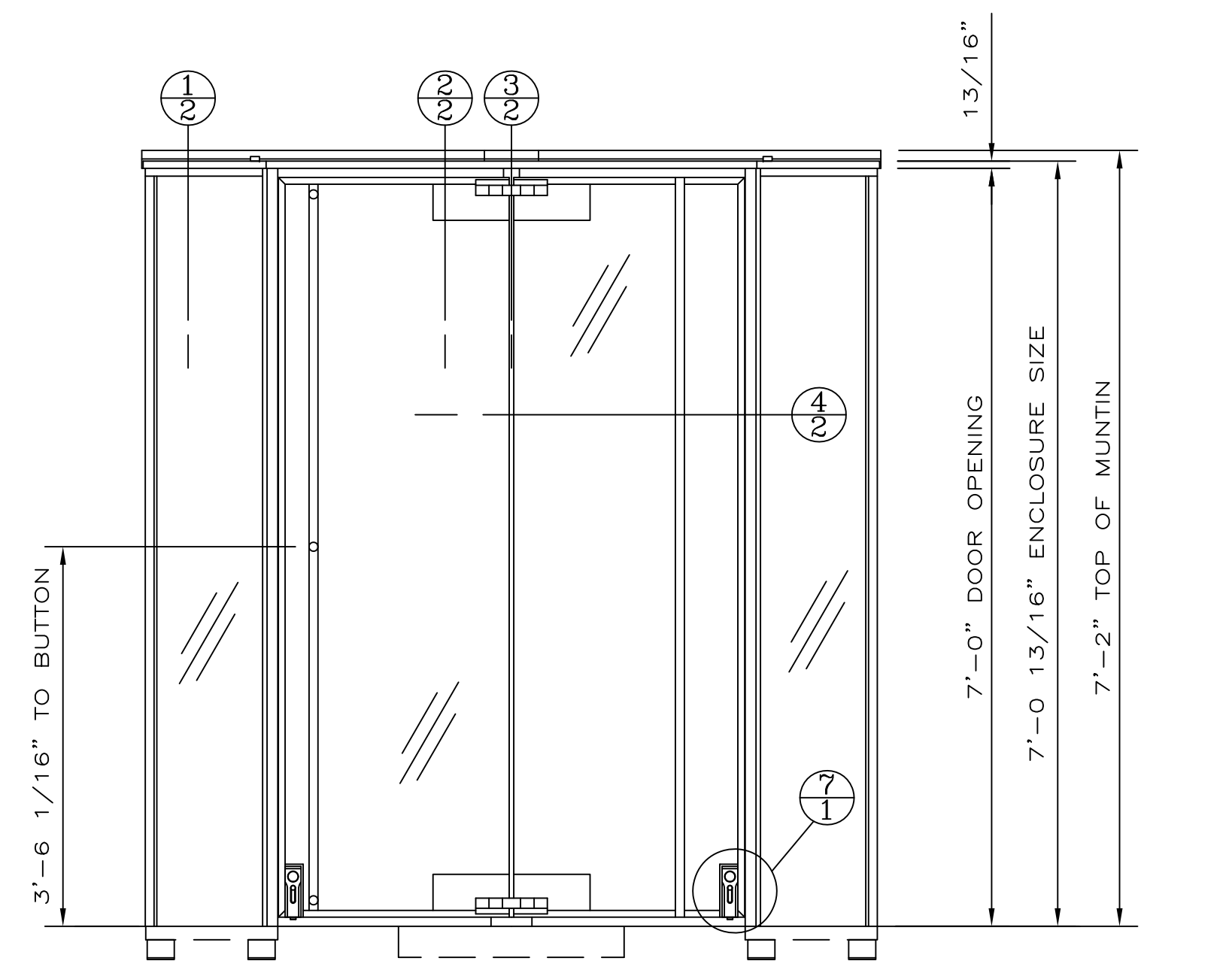
GLASS TO MEET ANSI Z97.1 AND 16 CFR 1201.
ALL TEMPERED GLASS TO HAVE SAFETY LOGOS.
IF ADDITIONAL LOGOS ARE REQUIRED PLEASE SPECIFY.

HARDWARE SCHEDULE

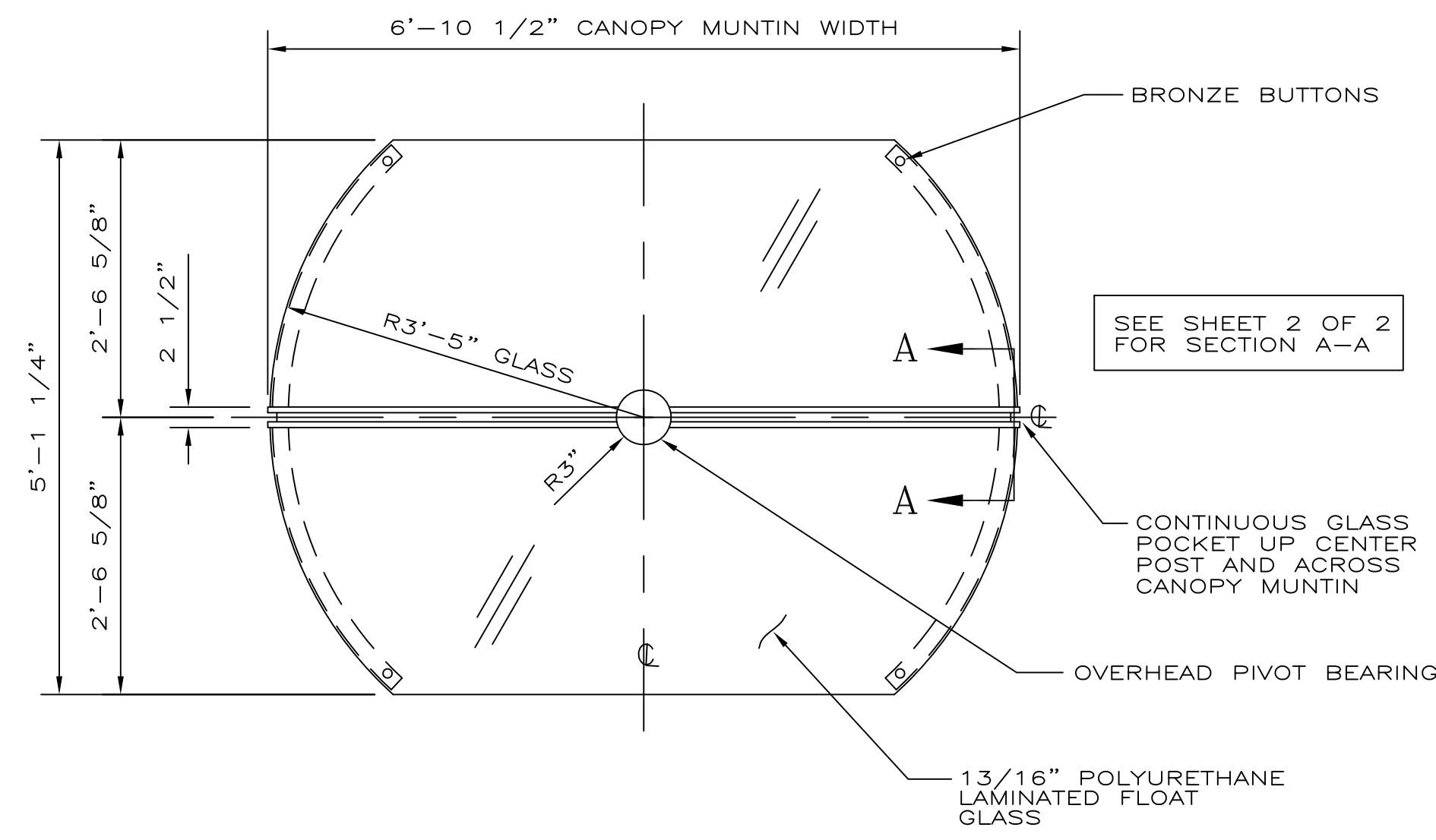
- FLOOR MOUNTED MANUAL SPEED CONTROL UNIT.
- OVERHEAD MOUNTED PIVOT BEARING.
- FULVIEW II PANIC PROOF BOOK-FOLD MECHANISM IN COMPLIANCE WITH ALL APPLICABLE REGULATIONS.
- LOCKS: SPECIAL REV. DOOR TYPE TWO (2) REQUIRED INSTALLED AT BOTTOM OF TWO ADJACENT WINGS WITH LOCK MOUNTING PLATES FOR INTERIOR LOCKING. FLOOR STRIKES PROVIDED.
- CYLINDERS: STANDARD SIZE MORTISE TYPE, TWO (2) REQUIRED PER REV. DOOR UNIT, TO BE SUPPLIED BY OTHERS TO C.D.C. FOR SHOP INSTALLATION.
- PUSH BARS: 1" DIA. BRONZE, VERTICALLY MOUNTED, FINISHED TO MATCH.

INSTALLER NOTE:

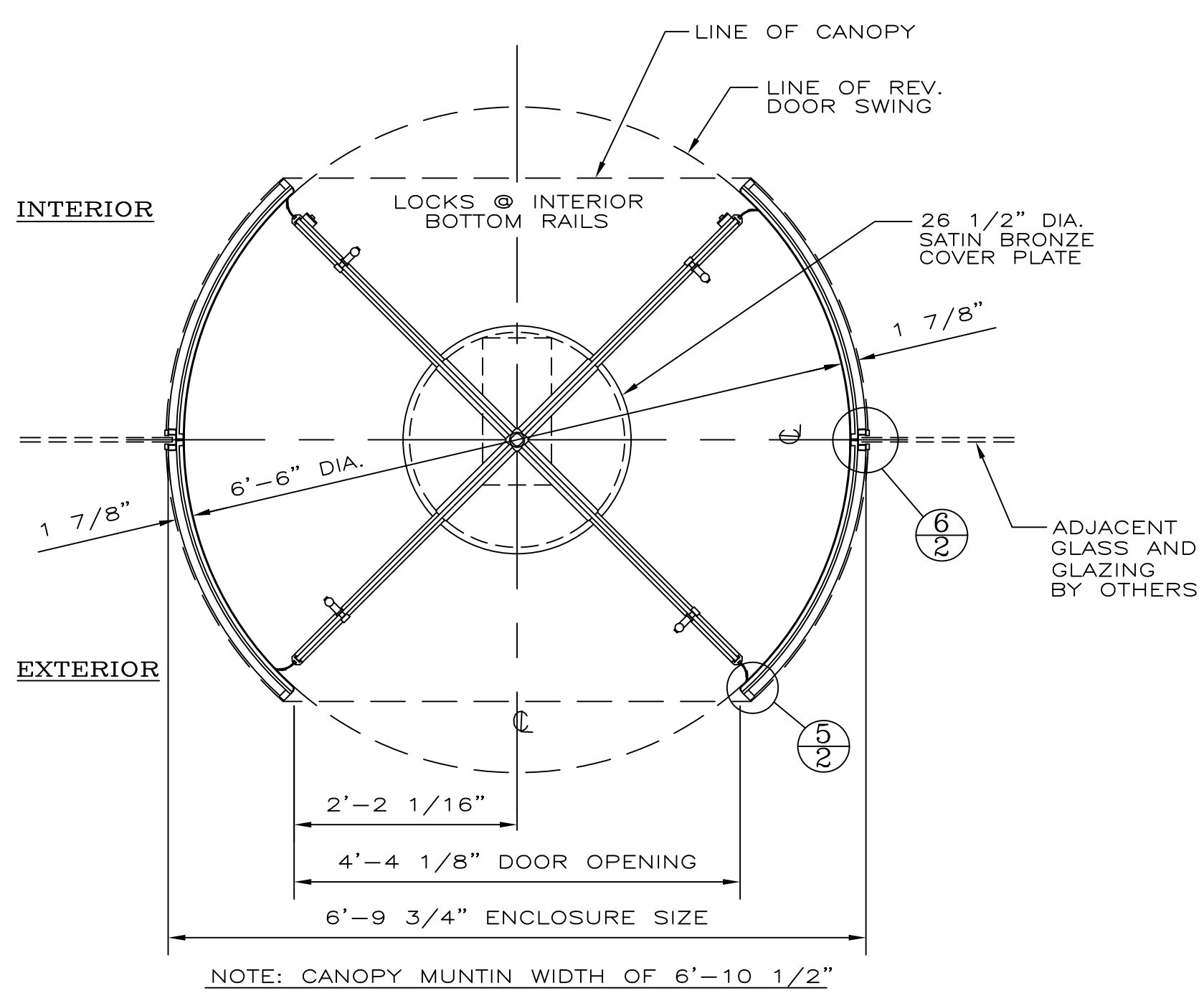
BOOK-FOLD TENSION IS NOT PRESET; IT MUST BE ADJUSTED TO MEET BUILDING CONDITIONS.



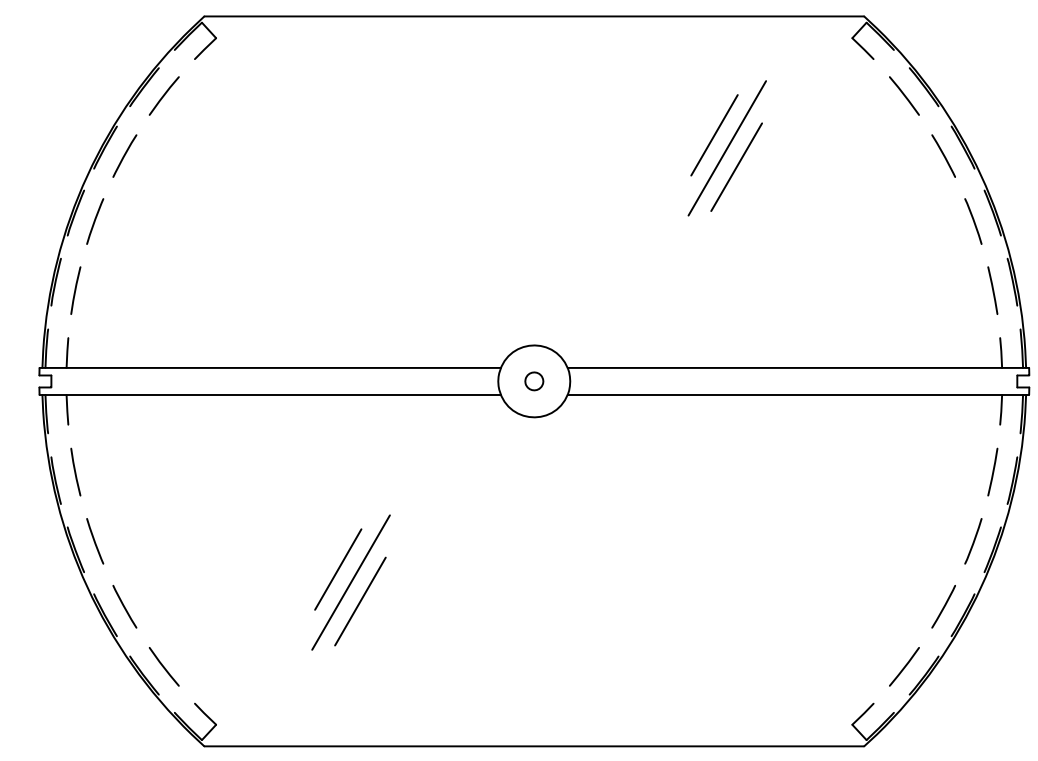
INTERIOR ELEVATION
ONE (1) DOOR REQUIRED THUS
SCALE: 3/4" = 1'-0"



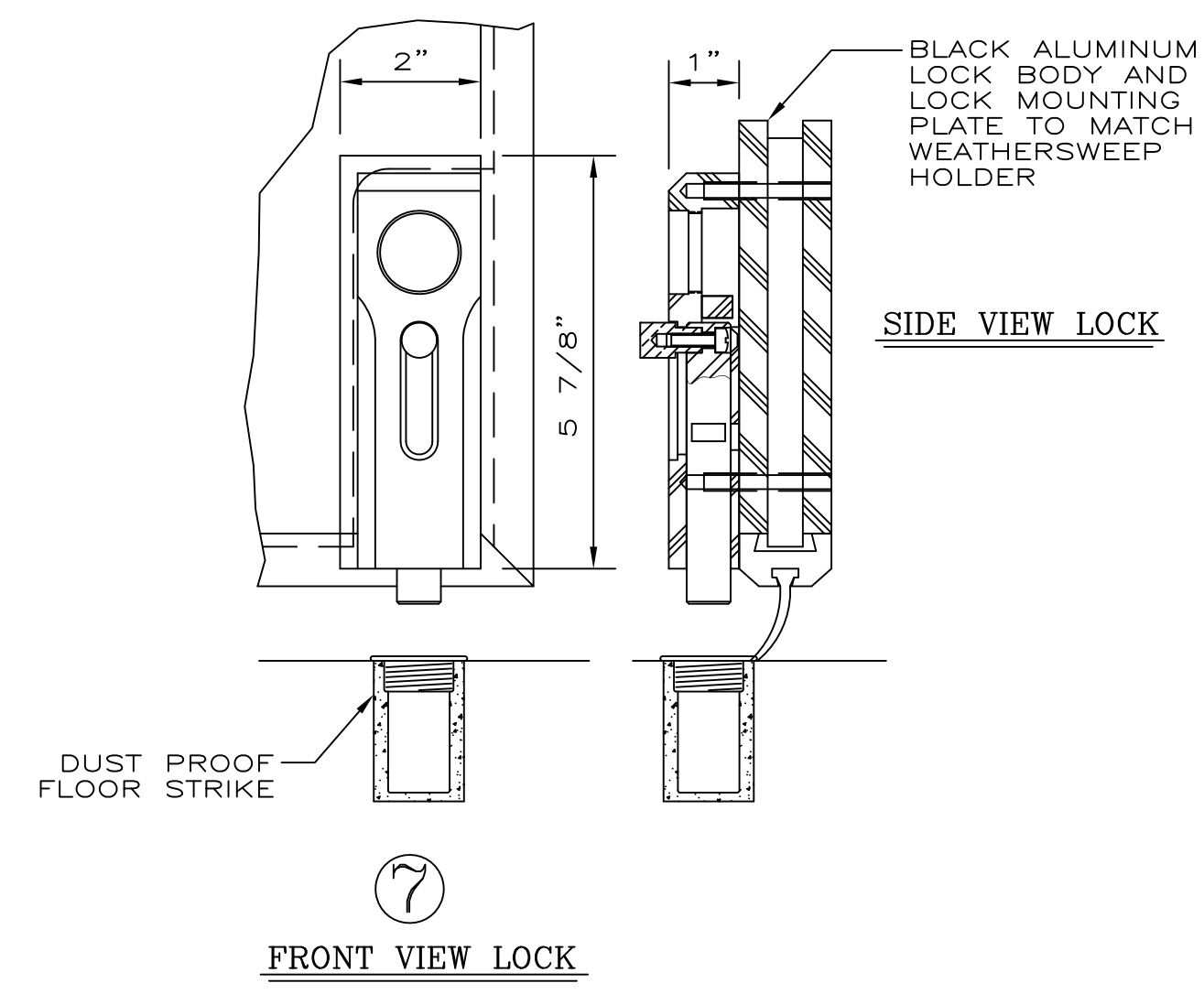
CANOPY PLAN
SCALE: 3/4" = 1'-0"



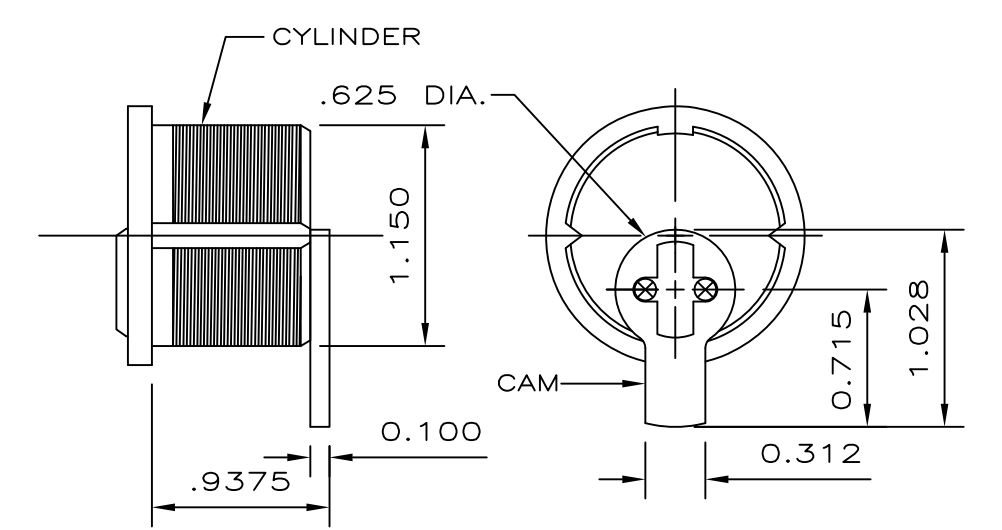
PLAN
SCALE: 3/4" = 1'-0"



REFLECTED CANOPY PLAN
SCALE: 3/4" = 1'-0"



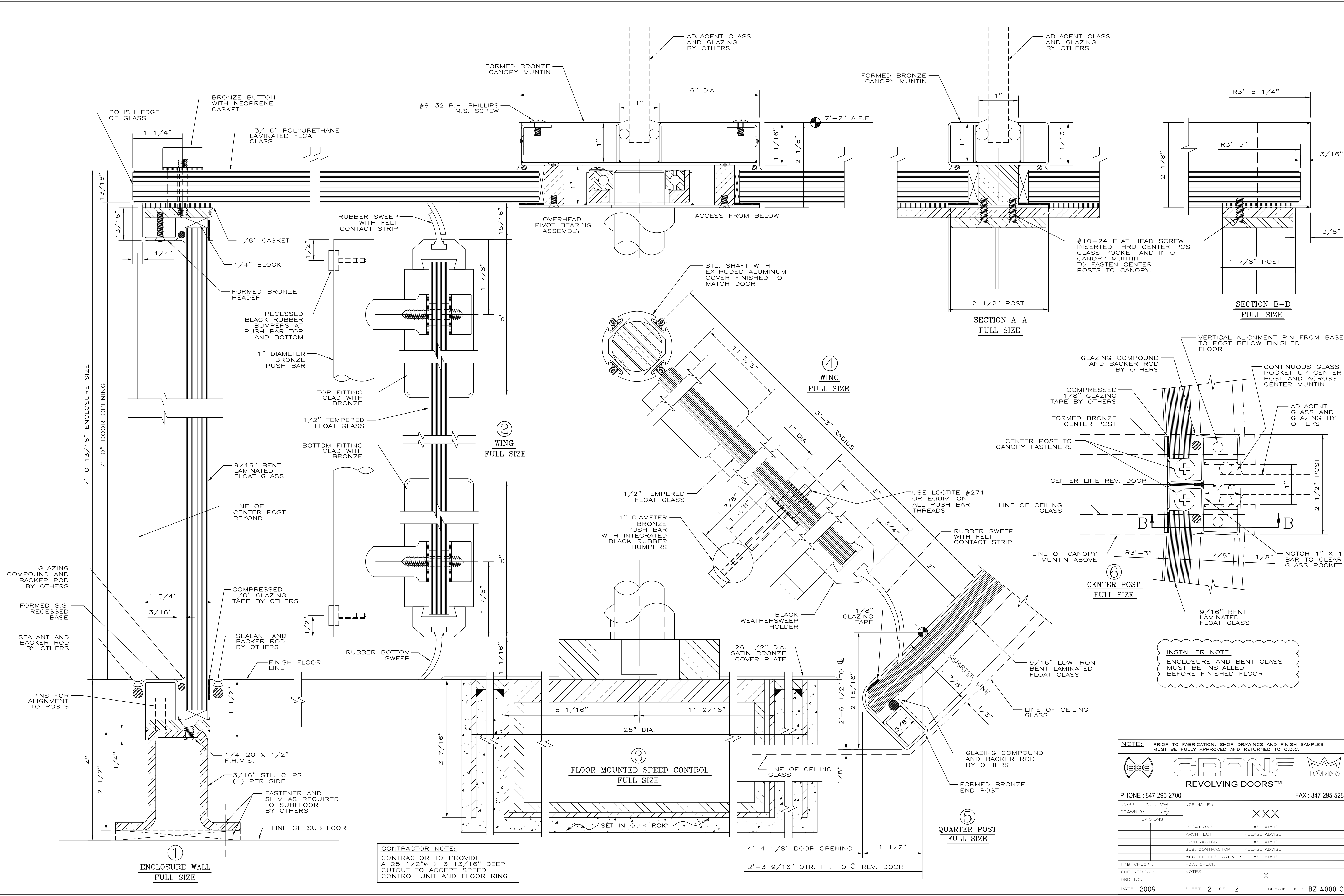
FRONT VIEW LOCK



TYPICAL CYLINDER AND "STRAIGHT ARM" TYPE CAM REQUIRED SUPPLIED BY OTHERS FULL SIZE
NOTE: ADAMS-RITE CAM MAY BE SUBSTITUTED

NOTE: PRIOR TO FABRICATION, SHOP DRAWINGS AND FINISH SAMPLES MUST BE FULLY APPROVED AND RETURNED TO C.D.C.

		CRANE DORMA	
REVOLVING DOORS™			
PHONE : 847-295-2700		FAX : 847-295-5288	
SCALE : AS SHOWN	JOB NAME :	XXX	
DRAWN BY : JIG	REVISIONS :		
	LOCATION :	PLEASE ADVISE	
	ARCHITECT :	PLEASE ADVISE	
	CONTRACTOR :	PLEASE ADVISE	
	SUB. CONTRACTOR :	PLEASE ADVISE	
	MFG. REPRESENTATIVE :	PLEASE ADVISE	
FAB. CHECK :	HOW. CHECK :		
CHECKED BY :	NOTES :	X	
ORD. NO. :			
DATE : 2009	SHEET 1 OF 2	DRAWING NO. : BZ 4000 C	



POLISH EDGE OF GLASS
 1 1/4"
 BRONZE BUTTON WITH NEOPRENE GASKET
 13/16" POLYURETHANE LAMINATED FLOAT GLASS

#8-32 P.H. PHILLIPS M.S. SCREW
 6" DIA.
 7'-2" A.F.F.

FORMED BRONZE CANOPY MUNTIN
 1"
 1 1/16"
 2 1/8"

SECTION A-A
 FULL SIZE

SECTION B-B
 FULL SIZE

②
 WING
 FULL SIZE

④
 WING
 FULL SIZE

⑥
 CENTER POST
 FULL SIZE

③
 FLOOR MOUNTED SPEED CONTROL
 FULL SIZE

⑤
 QUARTER POST
 FULL SIZE

①
 ENCLOSURE WALL
 FULL SIZE

CONTRACTOR NOTE:
 CONTRACTOR TO PROVIDE A 25 1/2" X 3 13/16" DEEP CUTOUT TO ACCEPT SPEED CONTROL UNIT AND FLOOR RING.

INSTALLER NOTE:
 ENCLOSURE AND BENT GLASS MUST BE INSTALLED BEFORE FINISHED FLOOR

NOTE: PRIOR TO FABRICATION, SHOP DRAWINGS AND FINISH SAMPLES MUST BE FULLY APPROVED AND RETURNED TO C.D.C.

PHONE : 847-295-2700	FAX : 847-295-5288
SCALE : AS SHOWN	JOB NAME : XXX
DRAWN BY : JG	
REVISIONS	
LOCATION :	PLEASE ADVISE
ARCHITECT :	PLEASE ADVISE
CONTRACTOR :	PLEASE ADVISE
SUB. CONTRACTOR :	PLEASE ADVISE
MFG. REPRESENTATIVE :	PLEASE ADVISE
FAB. CHECK :	HOW. CHECK :
CHECKED BY :	NOTES
ORD. NO. :	X
DATE : 2009	SHEET 2 OF 2
	DRAWING NO. : BZ 4000 C