



2525OF Offset Square Entrance Pull Handles

dormakaba's offset square entrance pull handles epitomize the high quality ambitions of the dormakaba brand – designed for excellence down to the very last detail and exuding fine craftsmanship.

They offer genuine quality, characterised by clearly defined features – irrespective of shape or size.

Created in solid, premium 316 Marine Grade Stainless Steel offering superior corrosion resistance for internal and external use in high traffic buildings. The round section allows comfortable ease of use.

The 2525OF entrance pull handles are an ideal choice for residential and commercial applications and are suitable for use on glass, timber and aluminium doors.

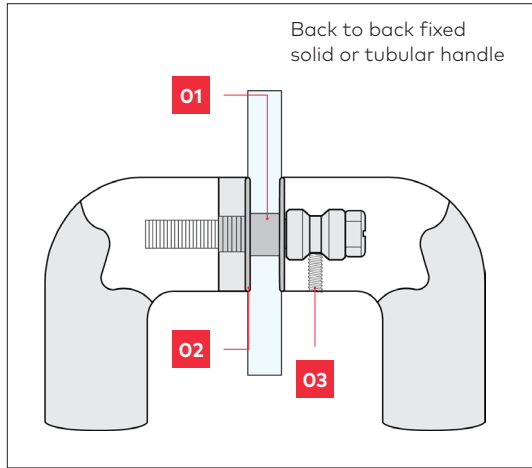
Please refer to ordering details for a range of optional accessories to suit:

- Back to back extended fixing for timber doors
- Back to back fixing for glass doors
- Disc fixing for timber doors
- Disc fixing for glass doors

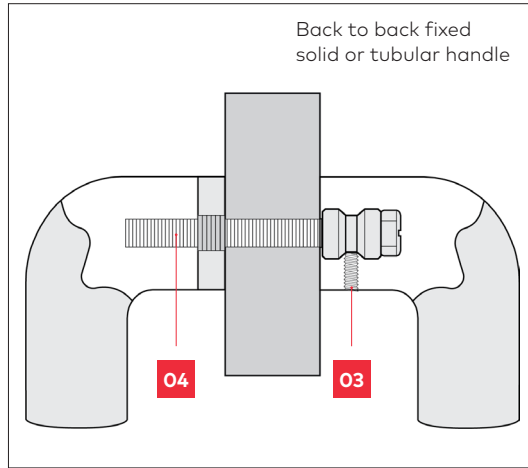
Features at a glance:

- 316 Marine Grade Stainless Steel
- Designed with your project's needs in mind
- High durability with concealed fixings
- Standard finishes: SSS and PSS
- Powdercoat and custom finishes available on request

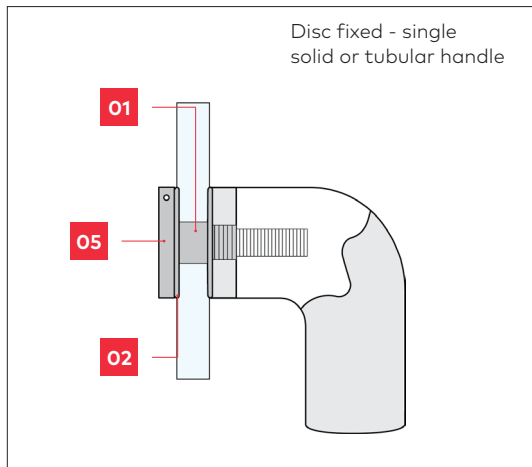
Fixing options



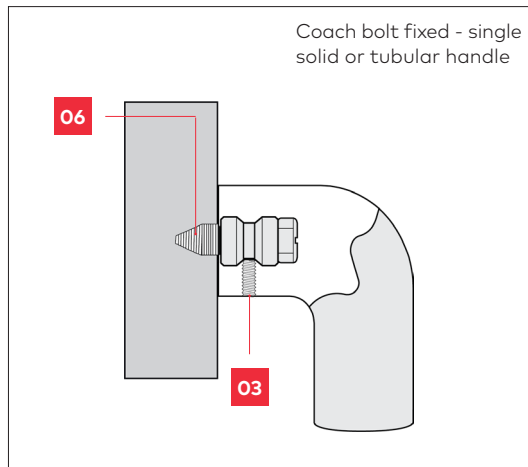
GD FIX - glass doors



TM FIX - timber or metal doors



D FIX - glass, metal or timber doors



C FIX - timber doors only

Note

Nylon spacers and washers are included with handle for glass door fixing option.

Legend

- 01 Spacer
- 02 Washer
- 03 Grub Screw
- 04 Bolt
- 05 Disc
- 06 Coach Bolt

TIMBER DOOR FIXING

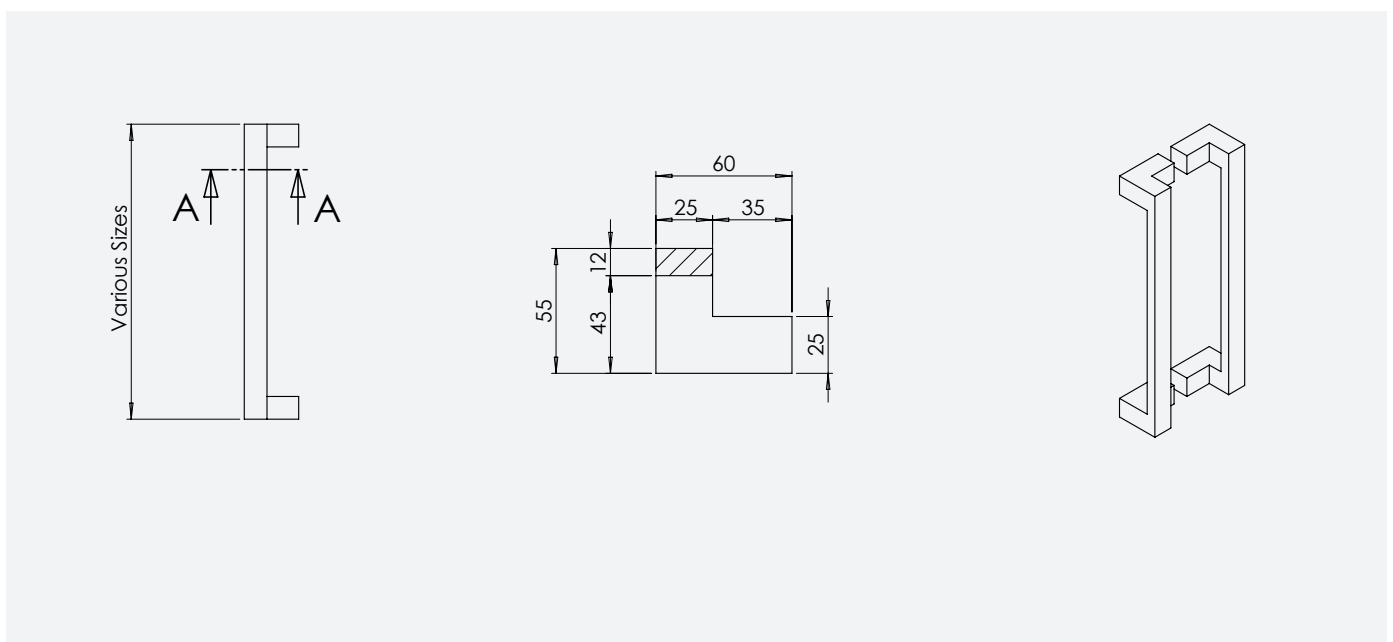
Material Size	Bolt Size
14mm Ø	5mm
16mm Ø	5mm
19mm Ø	8mm
25mm Ø	8mm
32mm Ø	8mm

METAL DOOR FIXING

Material Size	Bolt Size
14mm Ø	5mm
16mm Ø	5mm
19mm Ø	8mm
25mm Ø	8mm
32mm Ø	8mm

GLASS DOOR FIXING

Material Size	Bolt Size
14mm Ø	12mm Ø
16mm Ø	12mm Ø
19mm Ø	12mm Ø
25mm Ø	12mm Ø
32mm Ø	12mm Ø



Ordering details

Item	Article Number	Description	Offset	Section	Length	Fixing Centers	Projection
BACK TO BACK FIXING							
B2525OF/300/PSS	9457522844122	B2525OF/300/ 25X12 OA 325 CTC 300 PSS	50mm	25mm x 12mm	25mm x 25mm	300mm	60mm
B2525OF/300/SSS	9457522844121	B2525OF/300/ 25X12 OA 325 CTC 300 SSS	50mm	25mm x 12mm	25mm x 25mm	300mm	60mm
B2525OF/450/PSS	9457523954122	B2525OF/450/ 25X12 OA 475 CTC 450 PSS	50mm	25mm x 12mm	25mm x 25mm	450mm	60mm
B2525OF/450/SSS	9457523954121	B2525OF/450/25X12 OA 475 CTC 450 SSS	50mm	25mm x 12mm	25mm x 25mm	450mm	60mm
B2525OF/600/PSS	9457524734122	B2525OF/600/25X12 OA 625 CTC 600 PSS	50mm	25mm x 12mm	25mm x 25mm	600mm	60mm
B2525OF/600/SSS	9457524734121	B2525OF/600/25X12 OA 625 CTC 600 SSS	50mm	25mm x 12mm	25mm x 25mm	600mm	60mm
B2525OF/700/PSS	9457525244122	B2525OF/700/25X12 OA 725 CTC 700 PSS	50mm	25mm x 12mm	25mm x 25mm	700mm	60mm
B2525OF/700/SSS	9457525244121	B2525OF/700/25X12 OA 725 CTC 700 SSS	50mm	25mm x 12mm	25mm x 25mm	700mm	60mm
B2525OF/800/PSS	9457525814122	B2525OF/800/25X12 OA 825 CTC 800 PSS	50mm	25mm x 12mm	25mm x 25mm	800mm	60mm
B2525OF/800/SSS	9457525814121	B2525OF/800/25X12 OA 825 CTC 800 SSS	50mm	25mm x 12mm	25mm x 25mm	800mm	60mm
B2525OF/900/PSS	9457526234122	B2525OF/900/25X12 OA 925 CTC 900 PSS	50mm	25mm x 12mm	25mm x 25mm	900mm	60mm
B2525OF/900/SSS	9457526234121	B2525OF/900/25X12 OA 925 CTC 900 SSS	50mm	25mm x 12mm	25mm x 25mm	900mm	60mm
B2525OF/1000/PSS	9457526654122	B2525OF/1000/25X12 OA 1025 CTC 1000 PSS	50mm	25mm x 12mm	25mm x 25mm	1000mm	60mm
B2525OF/1000/SSS	9457526654121	B2525OF/1000/25X12 OA 1025 CTC 1000 SSS	50mm	25mm x 12mm	25mm x 25mm	1000mm	60mm
ACCESSORIES - EXTENDED FIXINGS - sold as a pair							
TM/M8/50	9459508058200	M8/50 FERULE HEAD BOLT TM FIX	<p>Note: When ordering extended fixings please use the below formula.</p> <p>Door thickness + 20mm for the Ferule + 10mm in to the other handle = round up to the nearest size offered.</p>				
TM/M8/75	9459758078200	M8/75 FERULE HEAD BOLT TM FIX					
TM/M8/90	9400000012887	M8/90 BOLT & 16MM FERULE TM FIX					
TM/M8/100	9400000012888	M8/100 BOLT & 16MM FERULE TM FIX					
TM/M8/110	9459118118200	M8/110 BOLT & 16MM FERULE TM FIX					
TM/M8/120	9459128128200	M8/120 BOLT & 16MM FERULE TM FIX					
TM/M8/130	9459138138200	M8/130 BOLT & 16MM FERULE TM FIX					
TM/M8/150	9459158158200	M8/150 BOLT & 16MM FERULE TM FIX					
ACCESSORIES - GLASS FIXINGS - sold as a pair							
GF25/M8/50 SQU	9459502588302	25 DIA SQU GLASS FIXING PAIRS					

Ordering details

Item	Article Number	Description	Offset	Section	Length	Fixing Centers	Projection
CONCEALED FIXING							
C2525OF/300/PSS	9457522844222	C2525OF/300/ 25X12 OA 325 CTC 300 PSS	50mm	25mm x 12mm	25mm x 25mm	300mm	60mm
C2525OF/300/SSS	9457522844221	C2525OF/300/ 25X12 OA 325 CTC 300 SSS	50mm	25mm x 12mm	25mm x 25mm	300mm	60mm
C2525OF/450/PSS	9457523954222	C2525OF/450/ 25X12 OA 475 CTC 450 PSS	50mm	25mm x 12mm	25mm x 25mm	450mm	60mm
C2525OF/450/SSS	9457523954221	C2525OF/450/ 25X12 OA 475 CTC 450 SSS	50mm	25mm x 12mm	25mm x 25mm	450mm	60mm
C2525OF/600/PSS	9457524734222	C2525OF/600/ 25X12 OA 625 CTC 600 PSS	50mm	25mm x 12mm	25mm x 25mm	600mm	60mm
C2525OF/600/SSS	9457524734221	C2525OF/600/ 25X12 OA 625 CTC 600 SSS	50mm	25mm x 12mm	25mm x 25mm	600mm	60mm
C2525OF/700/PSS	9457525244222	C2525OF/700/25X12 OA 725 CTC 700 PSS	50mm	25mm x 12mm	25mm x 25mm	700mm	60mm
C2525OF/700/SSS	9457525244221	C2525OF/700/25X12 OA 725 CTC 700 SSS	50mm	25mm x 12mm	25mm x 25mm	700mm	60mm
C2525OF/800/PSS	9457525814222	C2525OF/800/25X12 OA 825 CTC 800 PSS	50mm	25mm x 12mm	25mm x 25mm	800mm	60mm
C2525OF/800/SSS	9457525814221	C2525OF/800/25X12 OA 825 CTC 800 SSS	50mm	25mm x 12mm	25mm x 25mm	800mm	60mm
C2525OF/900/PSS	9457526234222	C2525OF/900/25X12 OA 925 CTC 900 PSS	50mm	25mm x 12mm	25mm x 25mm	900mm	60mm
C2525OF/900/SSS	9457526234221	C2525OF/900/25X12 OA 925 CTC 900 SSS	50mm	25mm x 12mm	25mm x 25mm	900mm	60mm
C2525OF/1000/PSS	9457526654222	C2525OF/1000/25X12 OA 1025 CTC 1000 PSS	50mm	25mm x 12mm	25mm x 25mm	1000mm	60mm
C2525OF/1000/SSS	9457526654221	C2525OF/1000/25X12 OA 1025 CTC 1000 SSS	50mm	25mm x 12mm	25mm x 25mm	1000mm	60mm
DISC FIXING							
D2525OF/300/PSS	9457522844322	D2525OF/300/ 25X12 OA 325 CTC 300 PSS	50mm	25mm x 12mm	25mm x 25mm	300mm	60mm
D2525OF/300/SSS	9457522844321	D2525OF/300/ 25X12 OA 325 CTC 300 SSS	50mm	25mm x 12mm	25mm x 25mm	300mm	60mm
D2525OF/450/PSS	9457523954322	D2525OF/450/ 25X12 OA 475 CTC 450 PSS	50mm	25mm x 12mm	25mm x 25mm	450mm	60mm
D2525OF/450/SSS	9457523954321	D2525OF/450/ 25X12 OA 475 CTC 450 SSS	50mm	25mm x 12mm	25mm x 25mm	450mm	60mm
D2525OF/600/PSS	9457524734322	D2525OF/600/ 25X12 OA 625 CTC 600 PSS	50mm	25mm x 12mm	25mm x 25mm	600mm	60mm
D2525OF/600/SSS	9457524734321	D2525OF/600/ 25X12 OA 625 CTC 600 SSS	50mm	25mm x 12mm	25mm x 25mm	600mm	60mm
D2525OF/700/PSS	9457525244322	D2525OF/700/25X12 OA 725 CTC 700 PSS	50mm	25mm x 12mm	25mm x 25mm	700mm	60mm
D2525OF/700/SSS	9457525244321	D2525OF/700/25X12 OA 725 CTC 700 SSS	50mm	25mm x 12mm	25mm x 25mm	700mm	60mm
D2525OF/800/PSS	9457525814322	D2525OF/800/25X12 OA 825 CTC 800 PSS	50mm	25mm x 12mm	25mm x 25mm	800mm	60mm
D2525OF/800/SSS	9457525814321	D2525OF/800/25X12 OA 825 CTC 800 SSS	50mm	25mm x 12mm	25mm x 25mm	800mm	60mm

Ordering details

Item	Article Number	Description	Offset	Section	Length	Fixing Centers	Projection
D2525OF/900/PSS	9457526234322	D2525OF/900/25X12 OA 925 CTC 900 PSS	50mm	25mm x 12mm	25mm x 25mm	900mm	60mm
D2525OF/900/SSS	9457526234321	D2525OF/900/25X12 OA 925 CTC 900 SSS	50mm	25mm x 12mm	25mm x 25mm	900mm	60mm
D2525OF/1000/PSS	9457526654322	D2525OF/1000/25X12 OA 1025 CTC 1000 PSS	50mm	25mm x 12mm	25mm x 25mm	1000mm	60mm
D2525OF/1000/SSS	9457526654321	D2525OF/1000/25X12 OA 1025 CTC 1000 SSS	50mm	25mm x 12mm	25mm x 25mm	1000mm	60mm

ACCESSORIES - DISC FIXINGS - sold as a pair

DF25/M8/75 SSS	9400000014108	25MM DISK FIX PAIR M8 X 75MM SSS
DF25/M8/75 PSS	9459752588102	25MM DISK FIX PAIR M8 X 75MM PSS

ACCESSORIES - GLASS FIXINGS - sold as a pair

GDF25/M8/50 PSS	9459502588102	25MM GLASS DISK FIX PSS PAIR M8 X 50MM
GDF25/M8/50 SSS	9459502588101	25MM GLASS DISK FIX SSS PAIR M8 X 50MM