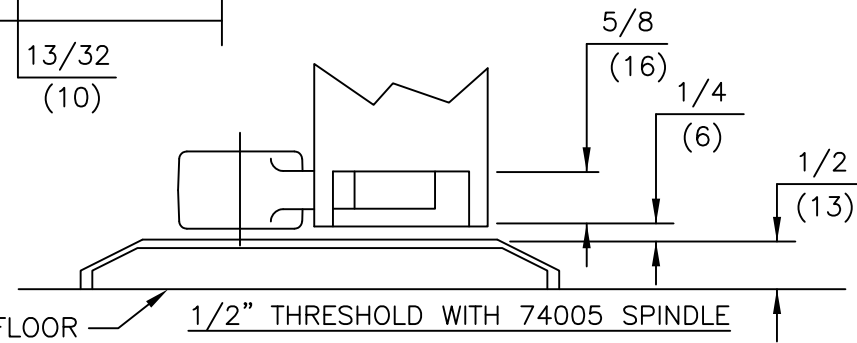
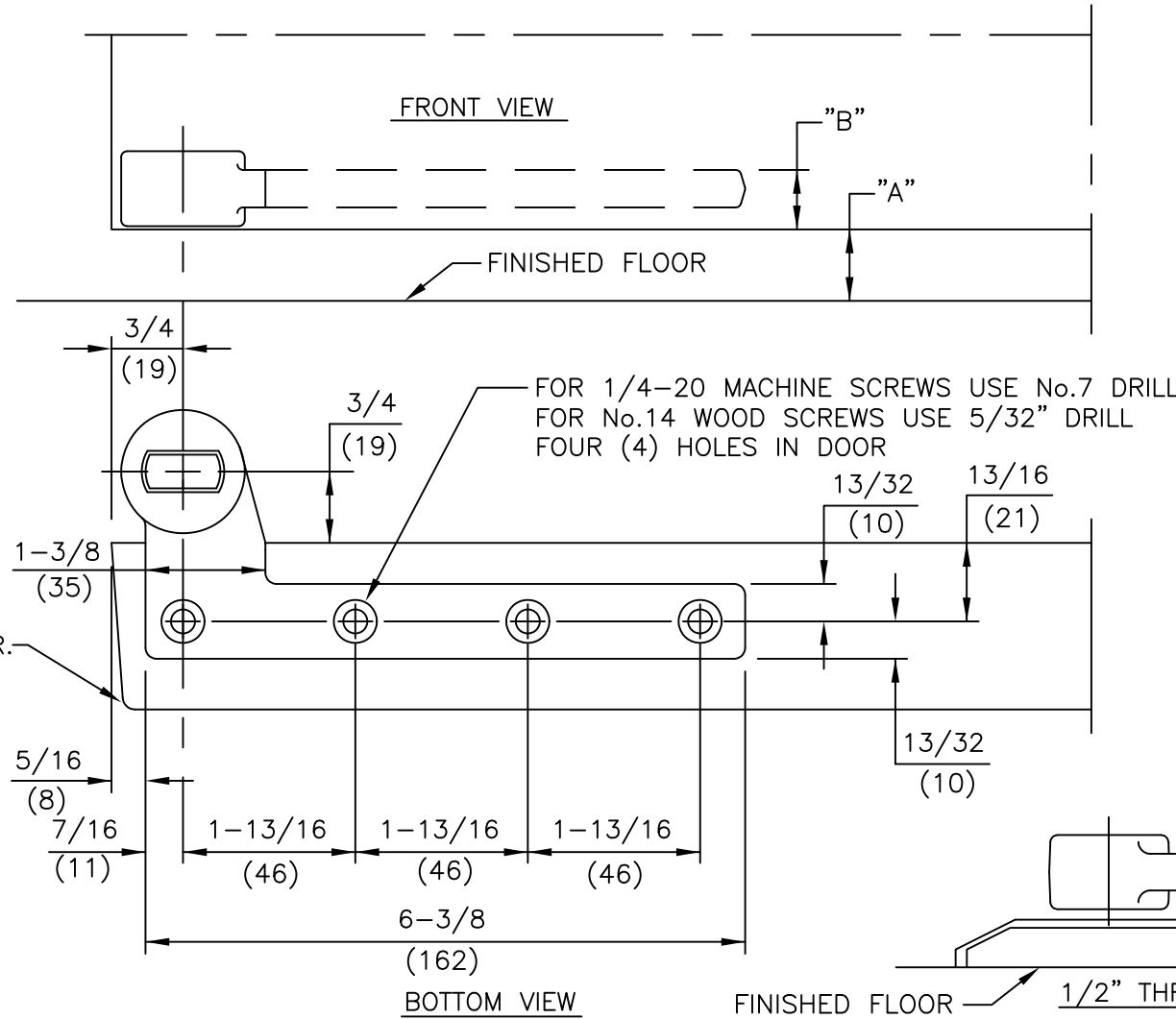


ITEM No. [75120, 75122, 75133 (DOOR FLUSH WITH FRAME) NON-HANDED]
 [75120 5/8, 75122 5/8, 75133 5/8 (DOOR INSET 1/8" FROM FRAME) HANDED]
 3/4" OFFSET FULL MORTISE TOP PIVOT

NOTES

1. DO NOT SCALE DRAWING.
2. DIMENSIONS ARE IN INCHES/(MM).
3. RIGHT HAND DOOR SHOWN.
4. BEVEL HEEL EDGE OF DOOR
 $1/8"$ IN $2"$.
5. ALL NECESSARY REINFORCEMENT
 FOR ARM BY OTHERS.

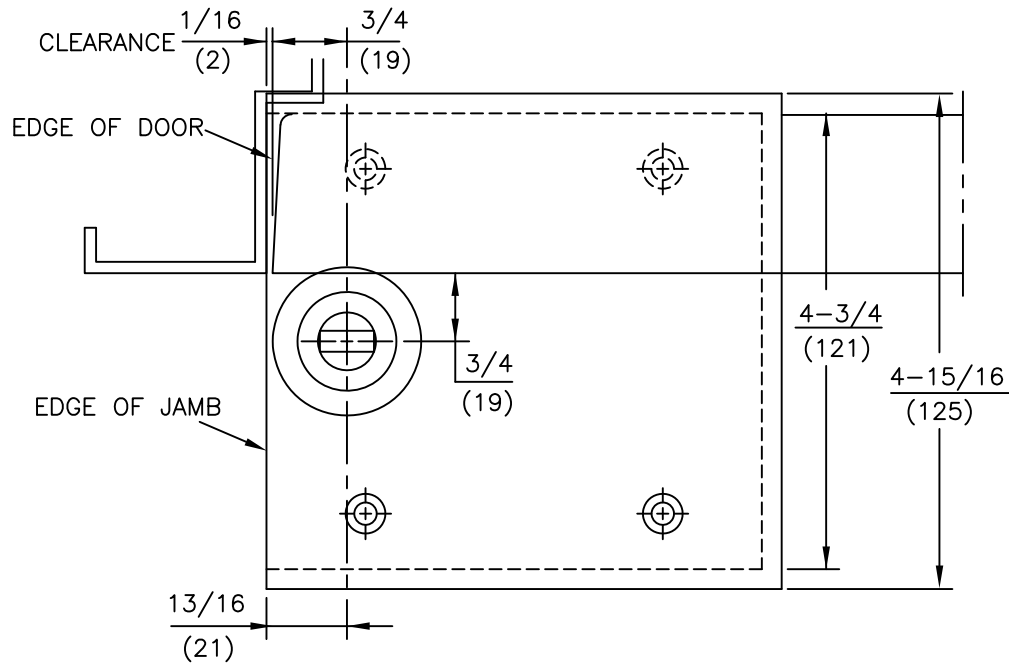
SPINDLE EXT.	"A" CLEARANCE	"B" MORTISE DEPTH
74003	$3/8"$	$3/4"$
74003	$9/16"$	$9/16"$
STD.74005	$3/4"$	$9/16"$
74007	$7/8"$	$9/16"$
74010	$1"$	$9/16"$
74012	$1-1/16"$	$9/16"$
74015	$1-1/8"$	$9/16"$
74020	$1-3/8"$	$9/16"$
74025	$1-9/16"$	$9/16"$
74030	$1-3/4"$	$9/16"$



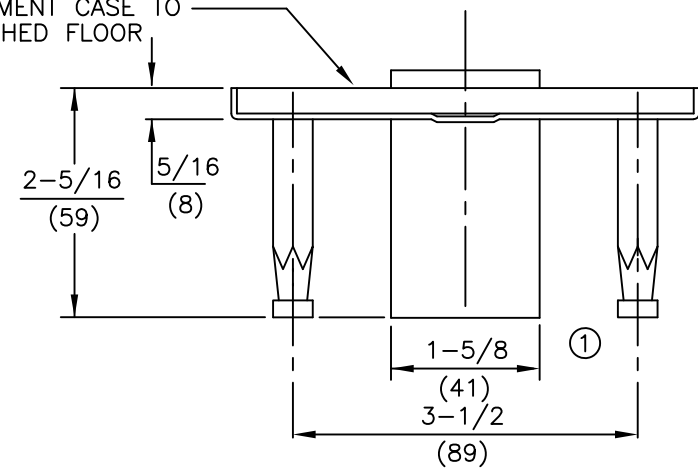
ITEM No. 75323
 $3/4"$ OFFSET BOTTOM ARM
 FOR NON-FIRE OR 3 HR. RATED DOORS
 FOR USE WITH 7471HD FLOOR BEARING

NOTES:

1. DO NOT SCALE DRAWING.
2. DIMENSIONS ARE IN INCHES\MM.
3. RIGHT HAND DOOR SHOWN.

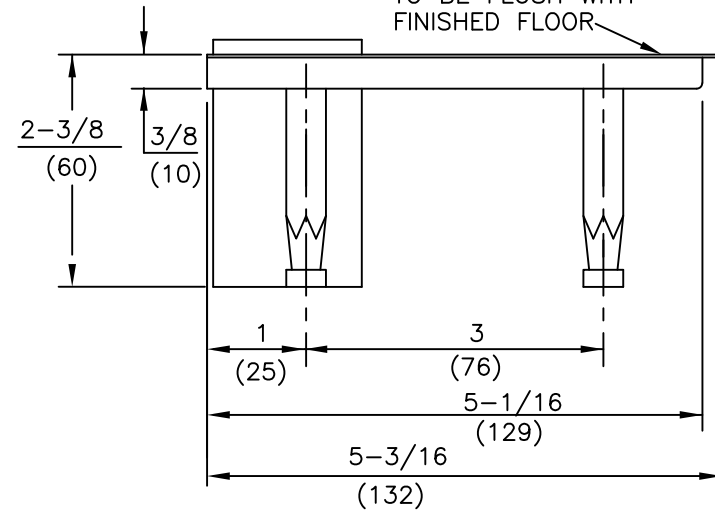


TOP SURFACE OF CEMENT CASE TO BE FLUSH WITH FINISHED FLOOR



WITH THRESHOLD

BASE COVER PLATE TO BE FLUSH WITH FINISHED FLOOR



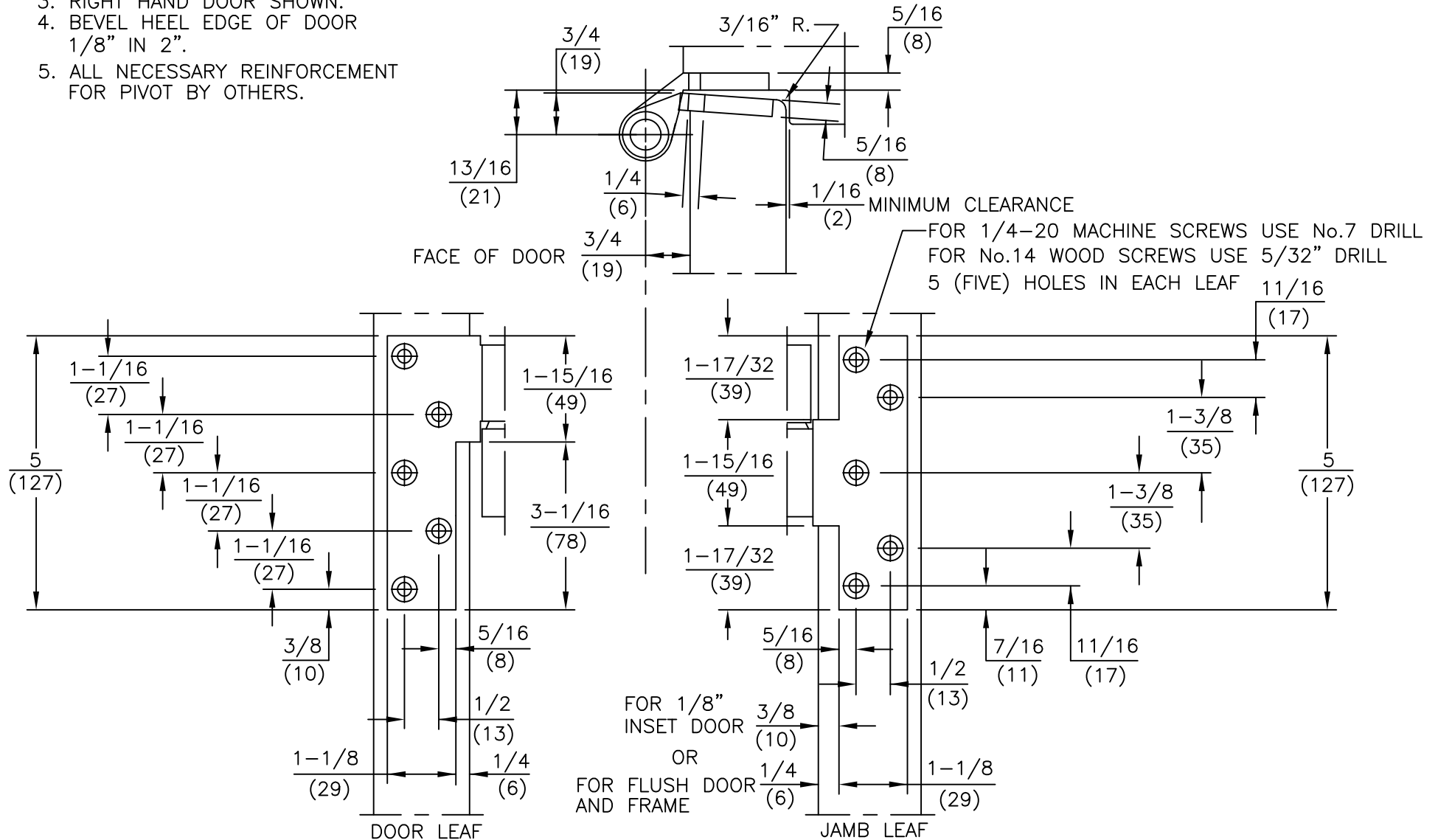
WITHOUT THRESHOLD

ITEM No. 7471HD FLOOR BEARING
 3/4" OFFSET HEAVY DUTY FLOOR BEARING INSTALLATION
 FOR USE WITH 75323 & 75343, 75343-2,
 75343-2-1/4, 75343-2-1/2, 75343-3 LEAD LINED BOTTOM ARMS



NOTES

1. DO NOT SCALE DRAWING.
2. DIMENSIONS ARE IN INCHES/(MM).
3. RIGHT HAND DOOR SHOWN.
4. BEVEL HEEL EDGE OF DOOR
 $1/8"$ IN $2"$.
5. ALL NECESSARY REINFORCEMENT
 FOR PIVOT BY OTHERS.



ITEM No. 75220, 75222, 75233
 3/4" OFFSET FULL MORTISE
 INTERMEDIATE PIVOT (HANDED)

