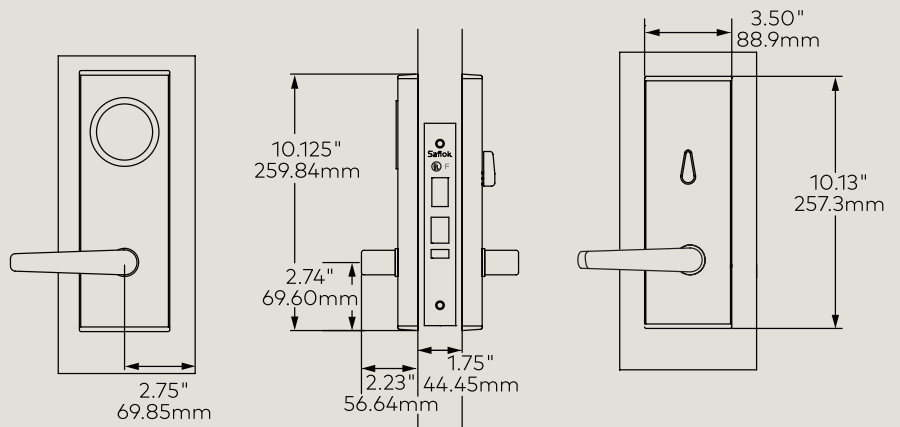


# Saflok MT™ RFID



Saflok MT™ RFID



## Overview

The Saflok MT is a full-body electronic lock that offers RFID card reader technology to enhance guest convenience and improve operational efficiency. Ideal for retrofits, this lock works with Saflok access management software.

## Mobile Access

The MT RFID is Bluetooth Low Energy (BLE) capable and can operate using the dormakaba Mobile Access Solutions.

## Applications

- Suitable for small to very large scale hotels
- Easily replaces existing mechanical or electronic door locks throughout a facility
- Access control for guest rooms, common areas as well as back-of-house

## Warranty

- Standard Factory Warranty: One year / Support Programs: dormakaba Service Plans (Platinum, Gold, Silver)

## Security Features


- High security and tamper-proof design
- 1" solid deadbolt (optional auto deadbolt)
- Staff monitoring - Keycard audits

## Low Maintenance

- Batteries last up to 2 years
- Low battery indicator alerts staff
- Lock programming and audit records are not erased during battery replacement
- Operates with a completely sealed contactless reader

## Access Management Software

The MT RFID lock is supported by dormakaba's robust access management software solution that features an array of access control workflows for both guest and staff access. Optionally, choose dormakaba's online access management solution for superior control and monitoring.

<b>Mechanical Features</b>	
Description	Electronic mortise lockset with 1" (25.4mm) throw deadbolt and 5/8" (15.9mm) dead-locking latch bolt
Handing	Factory-handed mortise (left, right, left reverse, right reverse)
Lever	ADA Compliant 
Deadbolt	1" (25.4mm) throw deadbolt and 5/8" (15.9mm) dead-locking latch bolt
Door Thickness	1 3/4" (44.5mm) to 2 1/8" (53.98mm) for standard product
Weight	Approx. 8.0 lbs with hardware
Housing Construction	Escutcheons: zinc / Levers: Brass, zinc, or stainless steel
Standard Finishes	Bright chrome, bright brass, satin chrome, satin brass, dark mahogany
Inside Trim Options	Optional adesē or MT inside escutcheon
Standard Backset	2 3/4" (69.9mm) from door edge to lever
Locking Options	ANSI lock case with 1 1/4" or 1" lock front mortise / Options: automatic deadbolt, door ajar / European lock case mortise (20 x 165 mm) with 20 x 233 mm lock front mortise
Online Configurations	Lock controller board with online capability / DAJ mortise (ANSI lock case) / Inside escutcheon equipped with online module
Mobile Access Options	BLE compatible Standard Lock. Upgradable to BLE by adding BLE connector cable, end cap and BLE module BLE ready Upgradable to BLE with BLE module BLE enabled End cap with BLE module included, no further upgrades needed
<b>Batteries</b>	Alkaline; Four AA battery pack; Battery life is up to 2 years; low battery indicator: alerts staff that batteries need to be changed soon
<b>Lock Operation</b>	
Date/Time Stamp	Real-time; date and hours/minutes
Interrogation	Obtain key usage reports from the lock by using a handheld unit at the door, or increase efficiency by performing a remote Interrogation using the online feature of the Access Management Software (optional)
Pre-registered Keycards	Keys can be made up to ten days in advance without cancelling current or arriving guests
Keycard Expiration	Configurable expiration dates; can be automatically set for check out date or manually applied when making key during check in process.
Passage Mode	Set by authorized keycard or access management system. Can also be configured to perform an automated/pre-defined passage mode time.
Lockout Mode	<b>Set by authorized keycard or access management system</b>
Keycards Accepted	Three credential format options available: Mifare classic, Mifare plus or Mifare Ultralight C. Mifare classic: guest keys (mini), staff (4k & 1k) Mifare plus: guest keys (Mifare plus 1K), staff keys (Mifare plus S 1k, Mifare plus S 2k, Mifare plus S 4k); Mifare Ultralight C: guest keys
Feedback	Light indicators in reader
Diagnostics	Light indicators and handheld display
Audit Trail	Up to 4,000 events
Disability Feature	RCU readers interface with automatic power operated doors for special openings
Privacy Override	Emergency keycards
<b>Certifications &amp; Testing</b>	
Accessibility Standard	ADA compliant levers (Code of Federal Regulations 28 CFR Part 36 – 1994 "ADA Standards for Accessible Design")
BHMA/ANSI	Certified to be compliant with Grade 1 performance tests for "ANSI/BHMA A156.13 - 2012 "American National Standard for Mortise Locks and Latches," and "ANSI/BHMA A156.25 - 2013 "American National Standard for Electrified Locking Devices." (Only locks tested and approved by non biased third-party test lab are allowed in the "BHMA Certified Products Directory" found at <a href="http://www.buildershardware.com">www.buildershardware.com</a> )
Fire Rating	Fire certified for Europe EN-1634-1 for 30 minute doors Listed for pre-prepared manufactured doors and certified for retrofitting on existing doors by Underwriters Laboratories for use on fire doors having up to a three-hour rating. a. U.L. Certification: GWVW.R12071 "Accessories for Single-point Locks and Latches and Fire Exit Hardware." Evaluated in accordance with UL 10B and UL 10C. b. U.L. Listing: GYQS.R11247 "Electrically Controlled Single-point Locks and Latches." Evaluated in accordance with UL 10B and UL 10C. c. Also classified in accordance with Uniform Building Code Standard 7-2, "Fire Test of Door Assemblies" (1997)
Electronics	MT RFID: FCC Part 15 Class A and CE Directive 2014/53/EU compliant
Environmental Operating Conditions	Indoor side: 32°F to 151°F (0°C to 66°C) / Outdoor side: -31°F to 151°F (-35°C to 66°C) / 0% to 85% non-condensing humidity at 86°F (30°C)
<b>Warranty</b>	
Support Programs	dormakaba Service Plans (Gold, Silver, Bronze).
Standard Factory Warranty	One year