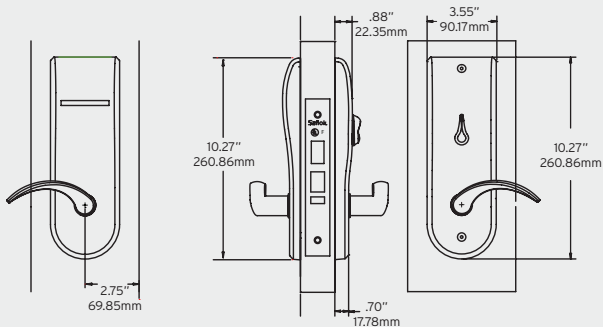


BEYOND SECURITY



# SAFLOK Adese™ (Odyssey)



### Overview

The Adese electronic lock blends distinctive elegance with superior lock performance & security. The lock reads smart, memory and magstripe keycards as standard and works with the Windows-based System 6000™, Messenger™ online wireless system and DeskLinc™ front desk system.

### Applications

- Suitable for small to very large scale hotels
- Easily replaces existing mechanical or electronic door locks throughout a facility
- Access control for guest rooms, common areas as well as back-of-the-house

### Security Features

- High security and tamperproof design
- 1" solid deadbolt (optional auto deadbolt)
- Staff monitoring - Keycard audits (smartcard)

### Low Maintenance

- Batteries last up to 2 years
- Low battery indicator alerts staff
- Lock programming and audit are not erased during battery replacement
- Wear resistant construction and finish

## Mechanical Features

Description	Electronic mortise lockset with 1" (25.4mm) throw deadbolt and 5/8" (15.9mm) dead-locking latch bolt	
Handing	Factory-handed mortise (left, right, left reverse, right reverse)	
Levers	ADA compliant	
Deadbolt	1" (25.4mm) throw deadbolt and 5/8" (15.9mm) dead-locking latch bolt	
Door Thickness	1 3/4" (44.5mm) to 2 1/8" (53.98mm) for standard product	
Shipping Weight	Approximately 8.0 lbs (3.62 Kg) with hardware	
Housing Construction	Escutcheons: Stainless steel or brass Levers: Brass, zinc, or stainless steel	
Standard Finishes	Bright chrome, bright brass, satin chrome, satin brass, dark mahogany	
Standard Backset	2 3/4" (69.9mm) from door edge to lever	
Locking Options	ANSI lock case with 1 1/2" or 1" lock front mortise Options: automatic deadbolt, door ajar, MKO European lock case mortise (20 x 165 mm) with 20 x 233 mm lock front mortise	
Online Configurations	Messenger Ready	DAJ mortise (ANSI lock case) standard with adase inside escutcheon Standard (stand alone) inside escutcheon
	Messenger Online	Lock controller board with Messenger capability. DAJ mortise (ANSI lock case) Inside escutcheon equipped with Messenger module

## Batteries

Alkaline Four AA battery pack	Battery life is up to 2 years. Low battery indicator alerts staff that batteries need to be changed
----------------------------------	---

## Lock Operation

Date/Time Stamp	Real time: date and hours/minutes
Interrogation	Obtain key usage reports from the lock by using a handheld unit at the door, or increase efficiency by performing a remote interrogation using Messenger (optional)
Pre-registered Keycards	Keys can be made up to ten days in advance without cancelling current or arriving guests
Keycard Expiration	Configurable expiration dates; can be automatically set for check out date or manually applied when making key during check in process.
Passage Mode	Set by authorized keycard or Messenger system. Can also be configured to perform an automated / pre-defined passage mode time.
Lockout Mode	Set by authorized keycard or Messenger system
Keycards Accepted	Magstripe, smartcard and memory
Feedback	Light indicators in reader
Diagnostics	Light indicators and handheld display
Audit Trail	Up to 4,000 events
Disability Feature	RCU readers interface with automatic power operated doors for special openings
Privacy Override	Emergency keycards

## Certification and Testing

Accessibility Standard	ADA compliant levers (Code of Federal Regulations 28 CFR Part 36 1994 "ADA Standards for Accessible Design")
BHMA/ANSI	Certified to be compliant with Grade One performance tests for "ANSI/BHMA A156.13-2005 Standard for Mortise Locks and Latches," and "ANSI/BHMA A156.25-2007 Standard for Electrified Locking Devices." (Only locks tested and approved by non-biased third-party test lab are allowed in the "BHMA Certified Products Directory" found at <a href="http://www.buildershardware.com">www.buildershardware.com</a> .)
Fire Rating	Listed for pre-prepared manufactured doors and certified for retrofitting on existing doors by Underwriters Laboratories for use on fire doors having up to a three-hour rating. a. U.L. Certification: GWVW.R12071 "Accessories for Single-point Locks and Latches and Fire Exit Hardware." Evaluated in accordance with UL 10B and UL 10C. b. U.L. Listing: GYQS.R11247 "Electrically Controlled Single-point Locks and Latches." Evaluated in accordance with UL 10B and UL 10C. c. Also classified in accordance with Uniform Building Code Standard 7-2, "Fire Test of Door Assemblies" (1997)
Electronics	FCC Part 15 Class A and CE directive 89/336/EEC compliant
Environmental Operating Conditions	Indoor side: 32°F to 151°F (0°C to 66°C) Outdoor side: -31°F to 151°F (-35°C to 66°C) 0% to 85% non-condensing humidity at 86°F (30°C)

## Warranty

Standard Factory	Two years
Extended Warranty	Kaba Service Plans available (Platinum, Gold, Silver)