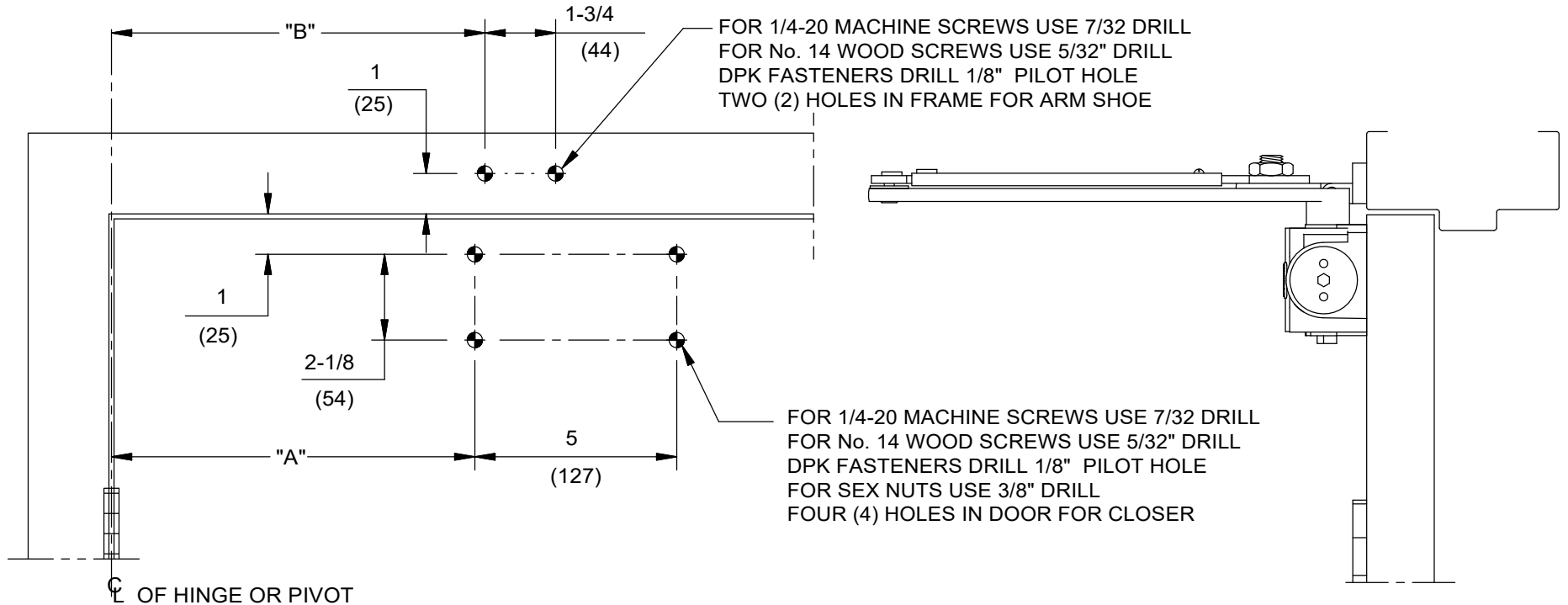


**NOTES:**

1. DO NOT SCALE DRAWING.
2. RIGHT HAND DOOR SHOWN.
3. DIMENSIONS ARE IN INCHES/(MM).
4. CAUTION: SEX NUTS ARE REQUIRED FOR ATTACHMENT OF COMPONENTS TO UNREINFORCED DOORS AND TO WOOD OR PLASTIC FACED COMPOSITE TYPE FIRE DOORS, UNLESS AN ALTERNATIVE METHOD IS IDENTIFIED IN THE INDIVIDUAL DOOR MANUFACTURER'S LISTINGS.
5. MAXIMUM OPENING 180°. (ALLOW CLEARANCE FOR CLOSER COVER)
6. SEE CATALOG FOR HOLD OPEN RANGE INFORMATION.
7. OPTIONAL DPK FASTENERS (DPK89) FOR STEEL DOOR & FRAME ONLY.

ANGLE OF OPENING	DIM. "A" CLOSER	DIM. "B" ARM SHOE
TO 100°	$\frac{11}{(279)}$	$\frac{12}{(305)}$
OVER 100°	$\frac{9}{(229)}$	$\frac{9-1/4}{(235)}$

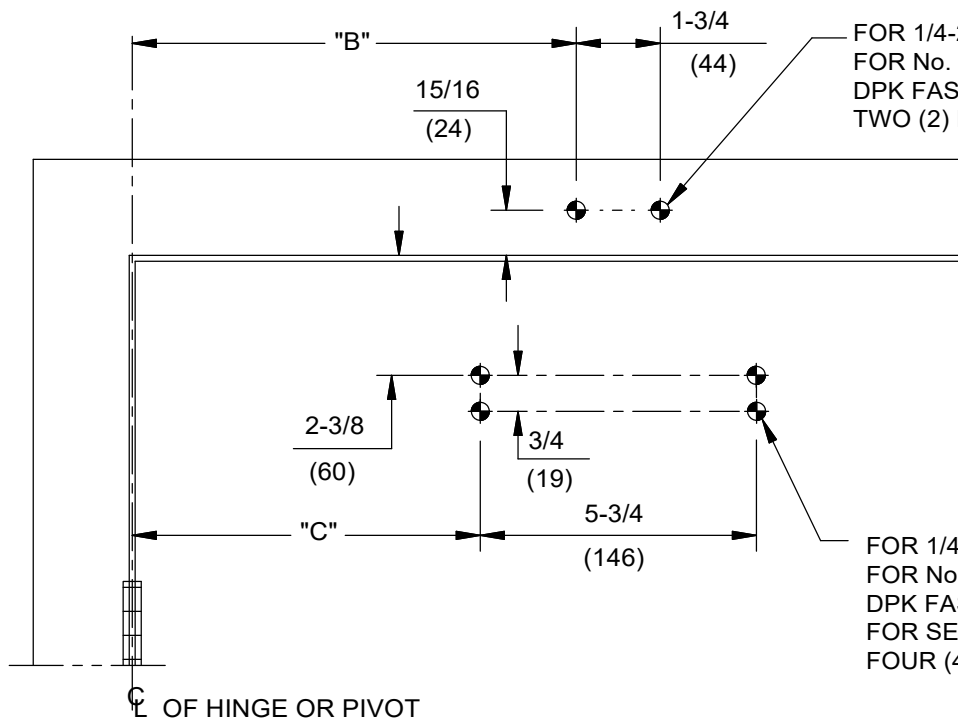


DOOR CLOSER MODELS: 8916, 8956 FH  
 REGULAR INSTALLATION (PULL SIDE MOUNT)

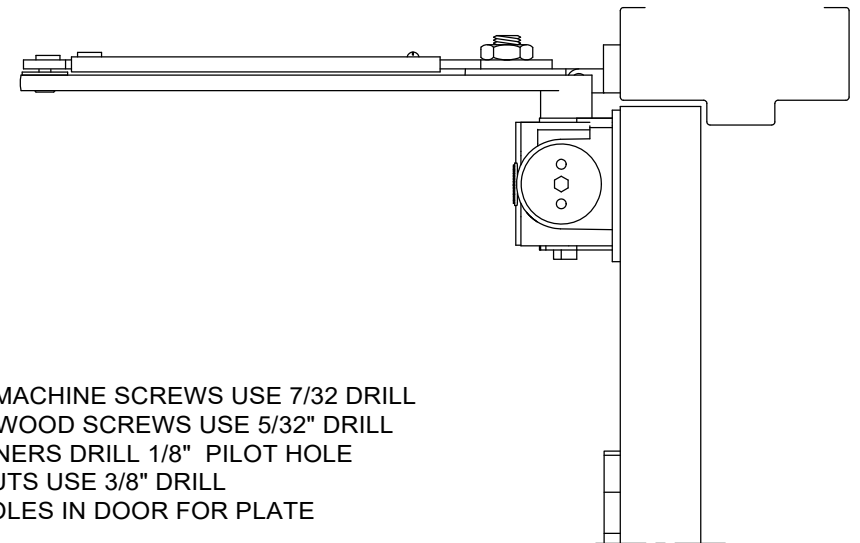
NOTES:

1. DO NOT SCALE DRAWING.
2. RIGHT HAND DOOR SHOWN.
3. DIMENSIONS ARE IN INCHES/(MM).
4. CAUTION: SEX NUTS ARE REQUIRED FOR ATTACHMENT OF COMPONENTS TO UNREINFORCED DOORS AND TO WOOD OR PLASTIC FACED COMPOSITE TYPE FIRE DOORS, UNLESS AN ALTERNATIVE METHOD IS IDENTIFIED IN THE INDIVIDUAL DOOR MANUFACTURER'S LISTINGS.
5. MAXIMUM OPENING 180°. (ALLOW CLEARANCE FOR CLOSER COVER)
6. SEE CATALOG FOR HOLD OPEN RANGE INFORMATION.
7. OPTIONAL DPK FASTENERS (DPK89) FOR STEEL DOOR & FRAME ONLY.

ANGLE OF OPENING	DIM. "C" PLATE	DIM. "B" ARM SHOE
TO 100°	$\frac{9-1/4}{(235)}$	$\frac{12}{(305)}$
OVER 100°	$\frac{7-1/4}{(184)}$	$\frac{9-1/4}{(235)}$



FOR 1/4-20 MACHINE SCREWS USE 7/32 DRILL  
 FOR No. 14 WOOD SCREWS USE 5/32" DRILL  
 DPK FASTENERS DRILL 1/8" PILOT HOLE  
 TWO (2) HOLES IN FRAME FOR ARM SHOE



FOR 1/4-20 MACHINE SCREWS USE 7/32 DRILL  
 FOR No. 14 WOOD SCREWS USE 5/32" DRILL  
 DPK FASTENERS DRILL 1/8" PILOT HOLE  
 FOR SEX NUTS USE 3/8" DRILL  
 FOUR (4) HOLES IN DOOR FOR PLATE

DOOR CLOSER MODELS: 8916, 8956 FH  
 REGULAR INSTALLATION (PULL SIDE MOUNT)  
 WITH PLATE BP89



dormakaba USA Inc  
 800 523 8483