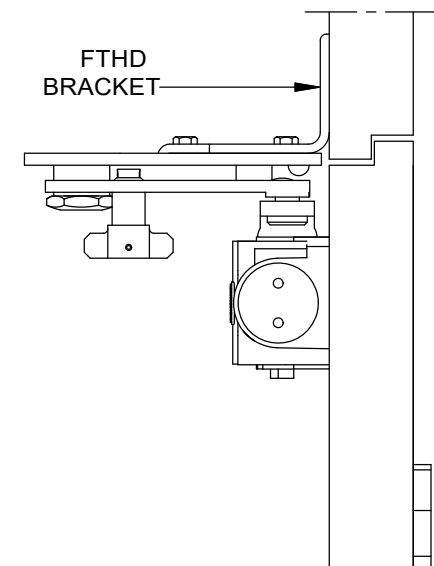
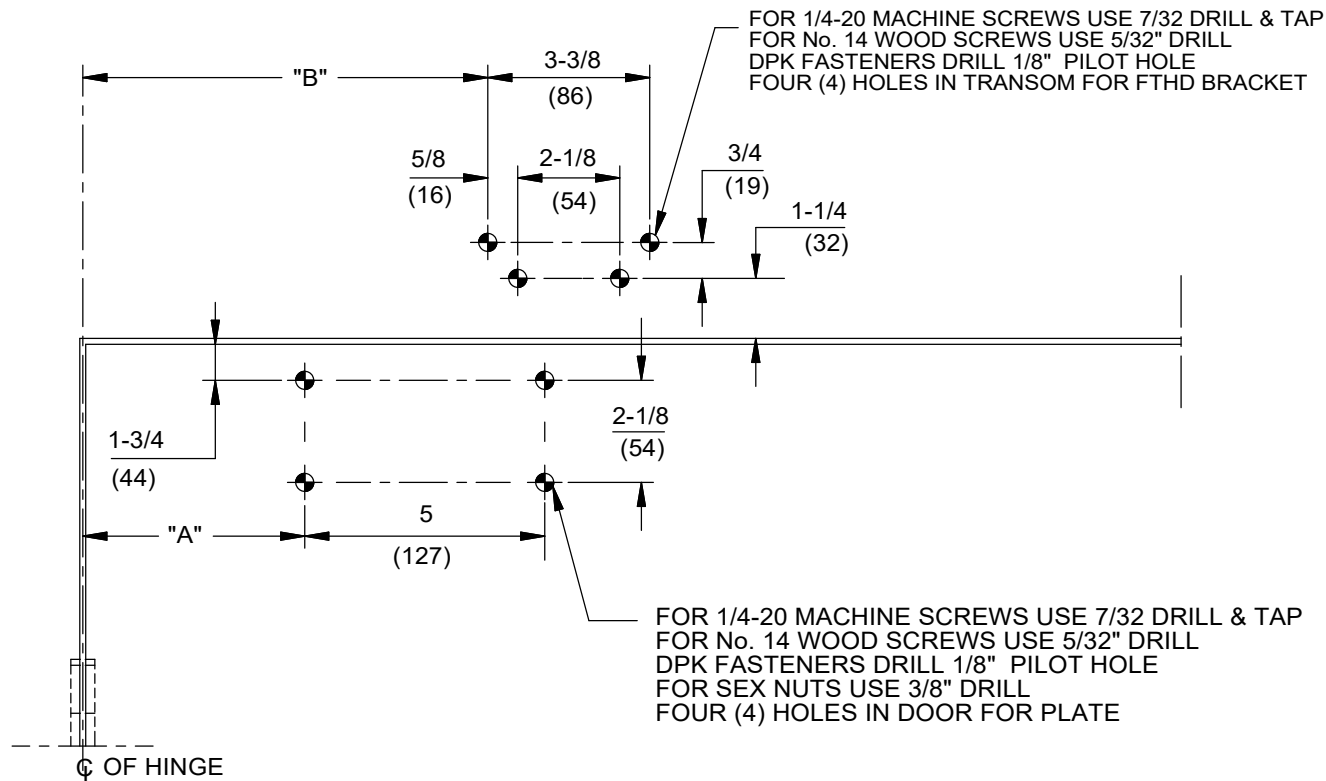


NOTES:

1. DO NOT SCALE DRAWING.
2. DIMENSIONS ARE IN INCHES/(MM).
3. LEFT HAND DOOR SHOWN.
4. CAUTION: SEX NUTS ARE REQUIRED FOR ATTACHMENT OF COMPONENTS TO UNREINFORCED DOORS AND TO WOOD OR PLASTIC FACED COMPOSITE TYPE FIRE DOORS, UNLESS AN ALTERNATIVE METHOD IS IDENTIFIED IN THE INDIVIDUAL DOOR MANUFACTURER'S LISTINGS.
5. MINIMUM DOOR WIDTH 26".
6. TEMPLATING BASED ON 4-1/2" X 4-1/2" BUTT HINGES.
7. OPTIONAL DPK FASTENERS (DPK89) FOR STEEL DOOR & FRAME ONLY.

ANGLE OF OPENING HOLD OPEN	DIM. "A" CLOSER	DIM. "B" FTHD BRACKET
85°	7-3/4 (197)	11-9/16 (294)
90°	6-7/8 (175)	10-11/16 (271)
100°	5-3/4 (146)	9-9/16 (243)
110°	4-5/8 (117)	8-7/16 (214)

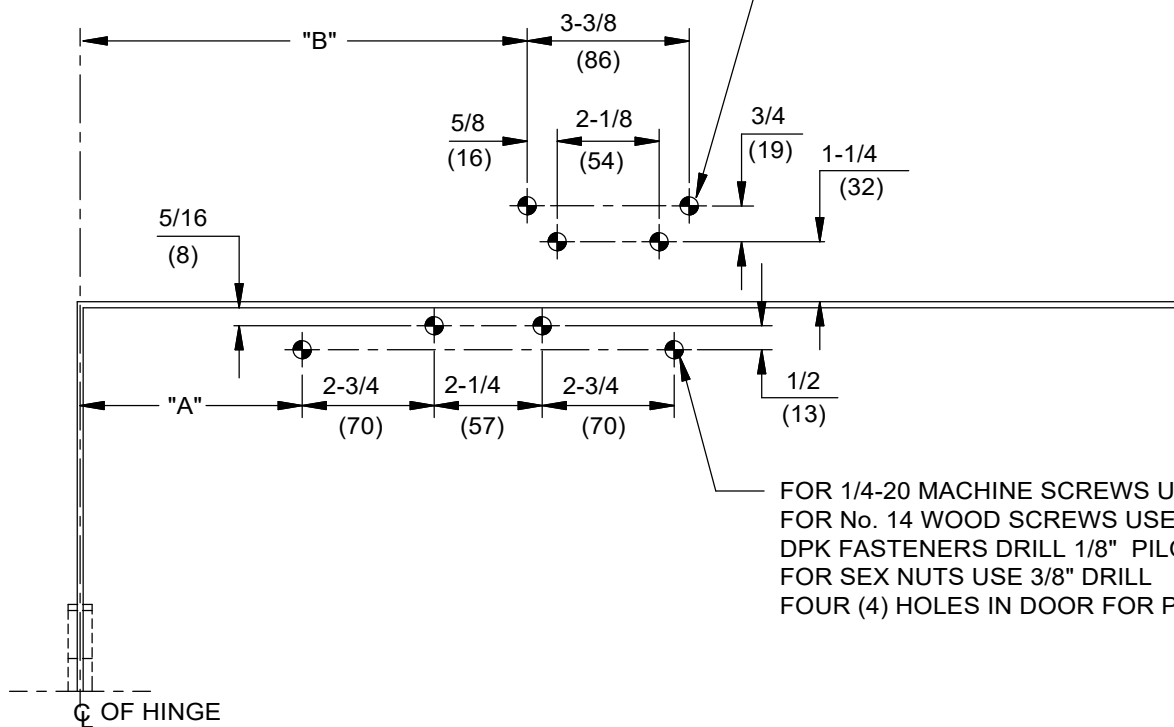


DOOR CLOSER MODELS: 8916, 8956 DS, DST, DSK, S-DS, S-DST x FTHD
 DOOR SAVER ARM FLUSH TRANSOM INSTALLATION (PUSH SIDE MOUNT)

NOTES:

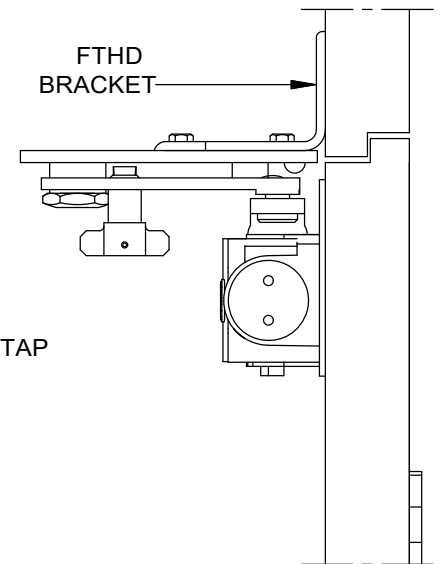
1. DO NOT SCALE DRAWING.
2. DIMENSIONS ARE IN INCHES/(MM).
3. LEFT HAND DOOR SHOWN.
4. CAUTION: SEX NUTS ARE REQUIRED FOR ATTACHMENT OF COMPONENTS TO UNREINFORCED DOORS AND TO WOOD OR PLASTIC FACED COMPOSITE TYPE FIRE DOORS, UNLESS AN ALTERNATIVE METHOD IS IDENTIFIED IN THE INDIVIDUAL DOOR MANUFACTURER'S LISTINGS.
5. MINIMUM DOOR WIDTH 26".
6. TEMPLATING BASED ON 4-1/2" X 4-1/2" BUTT HINGES.
7. OPTIONAL DPK FASTENERS (DPK89) FOR STEEL DOOR & FRAME ONLY.

FOR 1/4-20 MACHINE SCREWS USE 7/32 DRILL & TAP
 FOR No. 14 WOOD SCREWS USE 5/32" DRILL
 DPK FASTENERS DRILL 1/8" PILOT HOLE
 FOUR (4) HOLES IN TRANSOM FOR FTHD BRACKET



FOR 1/4-20 MACHINE SCREWS USE 7/32 DRILL & TAP
 FOR No. 14 WOOD SCREWS USE 5/32" DRILL
 DPK FASTENERS DRILL 1/8" PILOT HOLE
 FOR SEX NUTS USE 3/8" DRILL
 FOUR (4) HOLES IN DOOR FOR PLATE

ANGLE OF OPENING HOLD OPEN	DIM. "A" PLATE	DIM. "B" FTHD BRACKET
85°	$\frac{7-3/4}{(197)}$	$\frac{12-7/16}{(316)}$
90°	$\frac{6-7/8}{(175)}$	$\frac{11-9/16}{(294)}$
100°	$\frac{5-3/4}{(146)}$	$\frac{10-7/16}{(265)}$
110°	$\frac{4-5/8}{(117)}$	$\frac{9-5/16}{(243)}$



DOOR CLOSER MODELS: 8916, 8956 DS, DST, DSK, S-DS, S-DST x FTHD
 DOOR SAVER ARM FLUSH TRANSOM INSTALLATION (PUSH SIDE MOUNT)
 WITH PLATE DP89