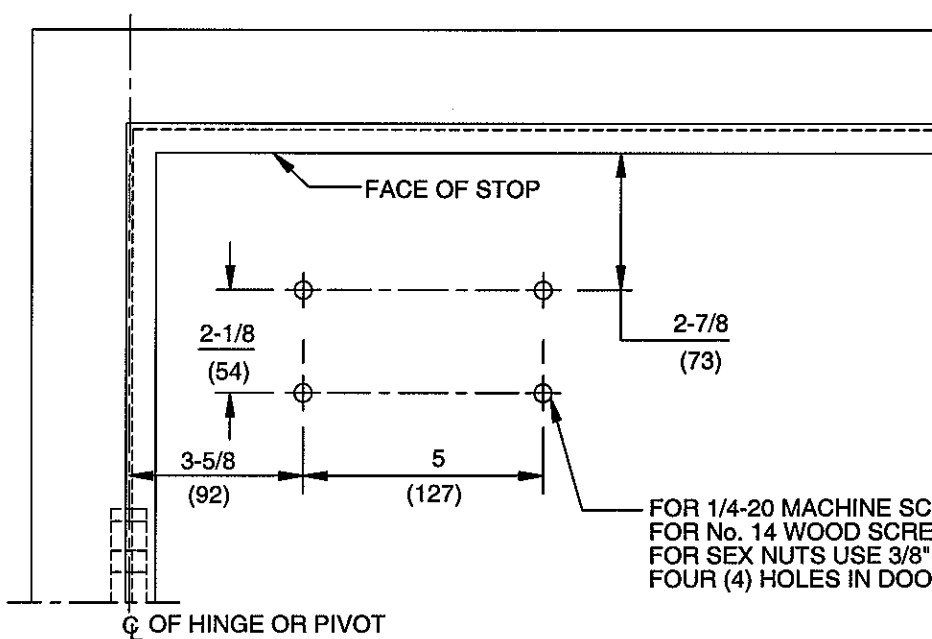


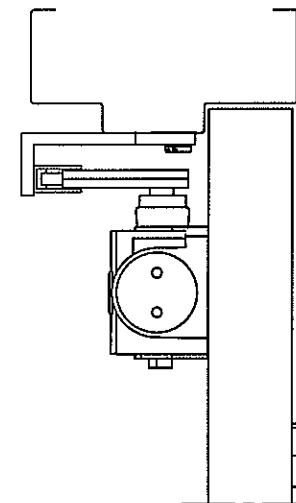
FOR 1/4-20 MACHINE SCREWS USE 7/32" DRILL & TAP  
 FOR No. 14 WOOD SCREWS USE 5/32" DRILL  
 FIVE (5) HOLES IN SOFFIT FOR BRACKET

NOTES:

1. DO NOT SCALE DRAWING.
2. LEFT HAND DOOR SHOWN.
3. DIMENSIONS ARE IN INCHES/(MM).
4. CAUTION: SEX NUTS ARE REQUIRED FOR ATTACHMENT OF COMPONENTS TO UNREINFORCED DOORS AND TO WOOD OR PLASTIC FACED COMPOSITE TYPE FIRE DOORS, UNLESS AN ALTERNATIVE METHOD IS IDENTIFIED IN THE INDIVIDUAL DOOR MANUFACTURER'S LISTINGS.
5. MAXIMUM OPENING 180°.



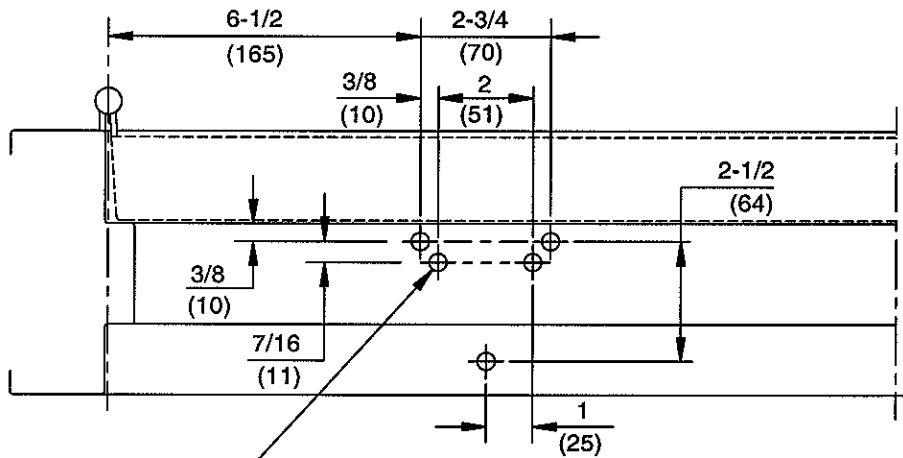
FOR 1/4-20 MACHINE SCREWS USE 7/32" DRILL & TAP  
 FOR No. 14 WOOD SCREWS USE 5/32" DRILL  
 FOR SEX NUTS USE 3/8" DRILL  
 FOUR (4) HOLES IN DOOR FOR CLOSER



DOOR CLOSER MODELS: 8916 AR STA  
 PARALLEL ARM INSTALLATION (PUSH SIDE MOUNT)



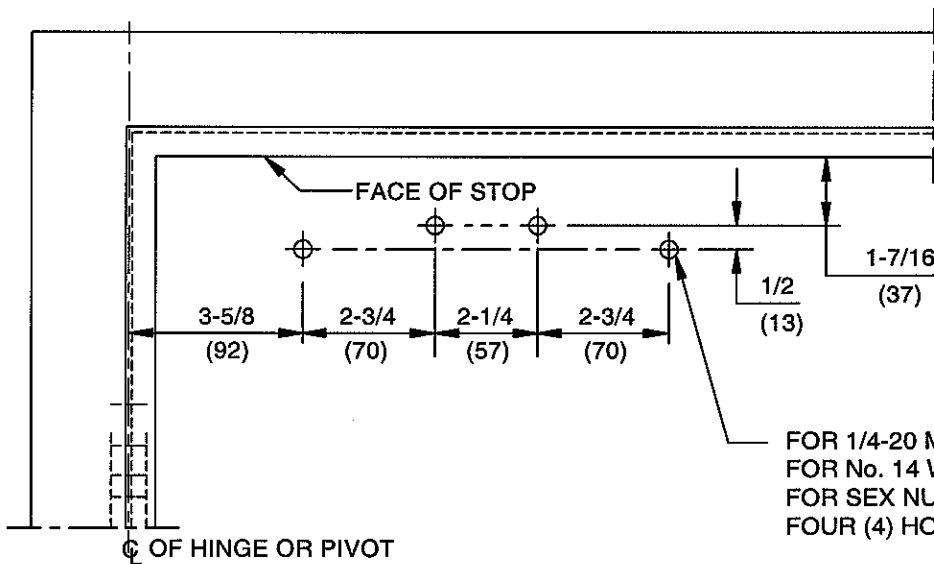
DORMA Door Controls  
 Reamstown, PA 17567



FOR 1/4-20 MACHINE SCREWS USE 7/32" DRILL & TAP  
 FOR No. 14 WOOD SCREWS USE 5/32" DRILL  
 FIVE (5) HOLES IN SOFFIT FOR BRACKET

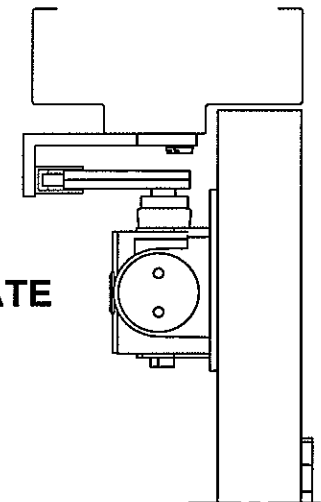
**NOTES:**

1. DO NOT SCALE DRAWING.
2. LEFT HAND DOOR SHOWN.
3. DIMENSIONS ARE IN INCHES/(MM).
4. CAUTION: SEX NUTS ARE REQUIRED FOR ATTACHMENT OF COMPONENTS TO UNREINFORCED DOORS AND TO WOOD OR PLASTIC FACED COMPOSITE TYPE FIRE DOORS, UNLESS AN ALTERNATIVE METHOD IS IDENTIFIED IN THE INDIVIDUAL DOOR MANUFACTURER'S LISTINGS.
5. MAXIMUM OPENING 180°.



FOR 1/4-20 MACHINE SCREWS USE 7/32" DRILL & TAP  
 FOR No. 14 WOOD SCREWS USE 5/32" DRILL  
 FOR SEX NUTS USE 3/8" DRILL  
 FOUR (4) HOLES IN DOOR FOR PLATE

**WITH DROP PLATE**



DOOR CLOSER MODELS: 8916 AR STA  
 PARALLEL ARM INSTALLATION (PUSH SIDE MOUNT)  
 WITH PLATE DP89 DROP



DORMA Door Controls  
 Reamstown, PA 17567