

Install Sheet

KIM Swipe Reader Installed with RAC 3.5

Introduction

The KIM swipe reader provided by KABA ILCO is compact, lightweight, rugged and waterproof, able to withstand temperature ranges from -20 to +70 deg C. It is made from tough and durable materials and comes with 15 feet (5 meters) of cable. The reader is capable of functioning up to distances of 150 meters (492 feet).

The green arrow on the reader remains lit at all times to indicate the swiping direction of the keycard. Upon a valid keycard being swiped through the reader, the green LED on the bottom of the reader will flash to indicate allowed access.

Reader, Track 3	120-510061-3622
Reader, Track 2	120-510061-2622

Installing the Readers

IMPORTANT: For proper dimensions required for the holes to be drilled, refer to drilling template DT-511968 or DT-510272 depending on the KIM swipe reader to be installed. If unavailable, drilling templates may be obtained through Kaba Customer Support: 1-800-906-4526

The KIM Swipe Reader connects to the controller PCB at connector JP3, shown in figure A and the table below.

1. Screw the swipe reader into place on the wall, using the screw holes.
2. Click the reader cover into place, so that the ▼ downward-pointing arrow LED is at the top left and the three remaining LEDs are at the bottom left of the reader.
3. Tighten down with the M2x12 screw provided on the bottom of the reader.

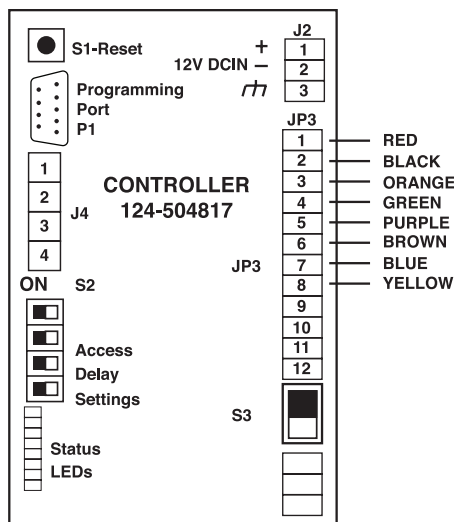


Figure A: Controller PCB



Controller PCB to KIM Swipe Reader

Description	Controller	Wire Color
* Reader	JP3-1	Red
	JP3-2	Black
	JP3-3	Orange
	JP3-4	Green
	JP3-5	Purple
	JP3-6	Brown
	JP3-7	Blue
	JP3-8	Yellow

*This table is good for KIM R71-2XX swipe readers only. For other compatible readers refer to the wiring guide supplied with the product.

Install Sheet

KIM Swipe Reader Installed with RAC 4 or RAC 4XT

Introduction

The KIM swipe reader provided by KABA ILCO is compact, lightweight, rugged and waterproof, able to withstand temperature ranges from -20 to +70 deg C. It is made from tough and durable materials and comes with 15 feet (5 meters) of cable. The reader is capable of functioning up to distances of 150 meters (492 feet).

The green arrow on the reader remains lit at all times to indicate the swiping direction of the keycard. Upon a valid keycard being swiped through the reader, the green LED on the bottom of the reader will flash to indicate allowed access.

Reader, Track 3	120-510061-3622
Reader, Track 2	120-510061-2622

Installing the Readers

IMPORTANT: For proper dimensions required for the holes to be drilled, refer to drilling template DT-511968 or DT-510272 depending on the KIM swipe reader to be installed. If unavailable, drilling templates may be obtained through Kaba Customer Support: 1-800-906-4526

The KIM Swipe Reader connects to the controller Board either for single or dual application, as shown in Figure B and Table.

1. Screw the swipe reader into place on the wall, using the screw holes.
2. Click the reader cover into place, so that the ▼ downward-pointing arrow LED is at the top left and the three remaining LEDs are at the bottom left of the reader.
3. Tighten down with the M2x12 screw provided on the bottom of the reader.

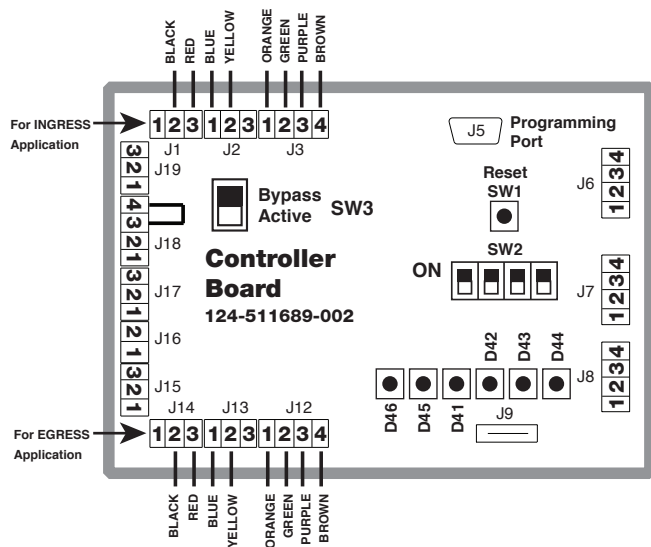


Figure B: Controller Board of RAC 4XT Shown

NOTE: The RAC 4 controller board only supports a single reader, for Ingress functionality, using connectors J1 to J3.

NOTE: The RAC 4XT controller board supports dual readers for Ingress and Egress functionality. Connectors J1 to J3 are used for Ingress functionality, and connectors J12 to J14 are used for Egress functionality.



Kaba Lodging Systems
 7301 Boul. Décarie, Montréal, Québec, H4P 2G7
 T: (514) 735-5411, TF: 1-877-468-3555, F: (514) 735-1394
 lodging-tech@kaba-ilco.com, www.kabalodging.com

Controller Board to KIM Swipe Reader							
Description	Controller	ID	Wire Color	Description	Controller	ID	Wire Color
* Reader Ingress	J1-1	5V	NO WIRE	* Reader Egress	J14-1	5V	NO WIRE
	J1-2	GND	BLACK		J14-2	GND	BLACK
	J1-3	12V	RED		J14-3	12V	RED
	J2-1	1 (Data +)	BLUE		J13-1	1 (Data +)	BLUE
	J2-2	2 (Data -)	YELLOW		J13-2	2 (Data -)	YELLOW
	J2-3	3	NO WIRE		J13-3	3	NO WIRE
	J3-1	1 (Green LED +)	ORANGE		J12-1	1 (Green LED +)	ORANGE
	J3-2	2 (Green LED -)	GREEN		J12-2	2 (Green LED -)	GREEN
	J3-3	3 (Red LED +)	PURPLE		J12-3	3 (Red LED +)	PURPLE
	J3-4	4 (Red LED -)	BROWN		J12-4	4 (Red LED -)	BROWN

* This table is good for KIM R71-2XX swipe readers only.
 For other compatible readers, refer to the wiring guide supplied with the product.