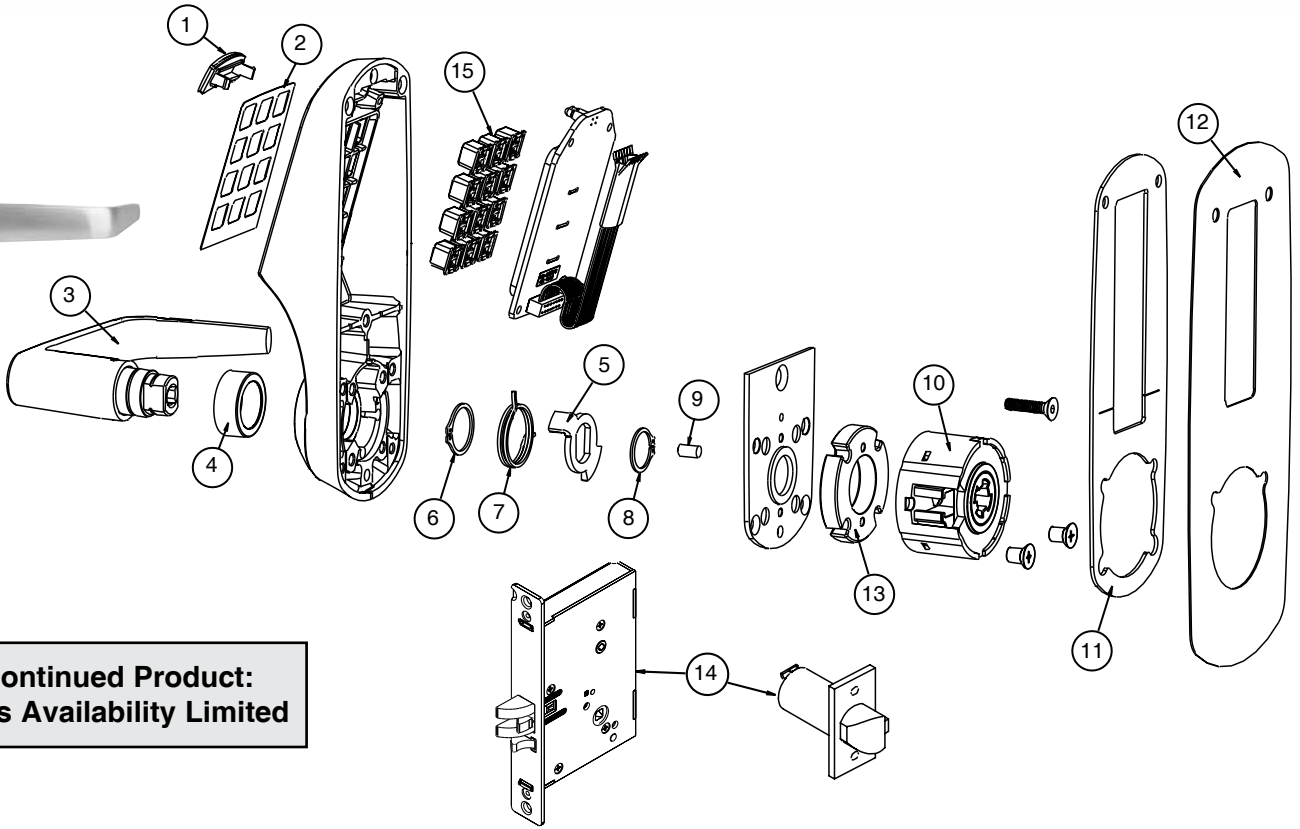


See inside front cover for
How to Order instructions



4000

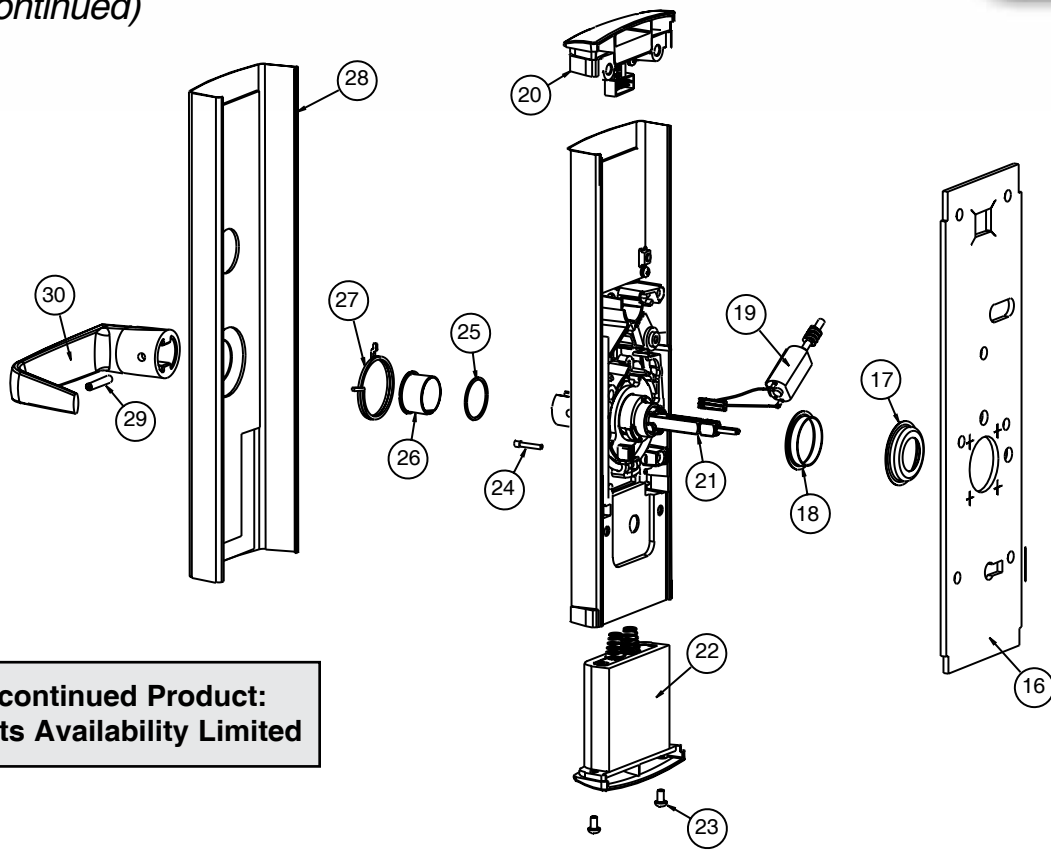


**Discontinued Product:
Parts Availability Limited**

4000

| Item | Qty/Lock | Description | Finish | Part Number | List Price (USD) |
|------|----------|---|---------------|-----------------|------------------|
| 1 | 1 | Cosmetic Window Kit | Smoke | 118-507725-K | \$10.00 |
| 2 | 1 | Keypad Faceplate Kit (5 per pack) | Black | 061-508937-BLK | \$15.00 |
| 3 | 1 | Outside Lever, Best 6 & 7-pin, Left Hand | Satin Chrome | 118-507718-L626 | \$90.00 |
| | | Outside Lever, Best 6 & 7-pin, Left Hand | Bright Brass | 118-507718-L605 | \$90.00 |
| | | Outside Lever, Best 6 & 7-pin, Left Hand | Satin Brass | 118-507718-L606 | \$90.00 |
| | | Outside Lever, Best 6 & 7-pin, Left Hand | Bright Chrome | 118-507718-L625 | \$90.00 |
| | | Outside Lever, Best 6 & 7-pin, Right Hand | Satin Chrome | 118-507718-R626 | \$90.00 |
| | | Outside Lever, Best 6 & 7-pin, Right Hand | Bright Brass | 118-507718-R605 | \$90.00 |
| | | Outside Lever, Best 6 & 7-pin, Right Hand | Satin Brass | 118-507718-R606 | \$90.00 |
| | | Outside Lever, Best 6 & 7-pin, Right Hand | Bright Chrome | 118-507718-R625 | \$90.00 |
| | | Outside Lever, Yale 7-pin, Left Hand | Satin Chrome | 118-508717-L626 | \$90.00 |
| | | Outside Lever, Yale 7-pin, Left Hand | Bright Brass | 118-508717-L605 | \$90.00 |
| | | Outside Lever, Yale 7-pin, Left Hand | Satin Brass | 118-508717-L606 | \$90.00 |
| | | Outside Lever, Yale 7-pin, Left Hand | Bright Chrome | 118-508717-L625 | \$90.00 |
| | | Outside Lever, Yale 7-pin, Right Hand | Satin Chrome | 118-508717-R626 | \$90.00 |
| | | Outside Lever, Yale 7-pin, Right Hand | Bright Brass | 118-508717-R605 | \$90.00 |
| | | Outside Lever, Yale 7-pin, Right Hand | Satin Brass | 118-508717-R606 | \$90.00 |
| | | Outside Lever, Yale 7-pin, Right Hand | Bright Chrome | 118-508717-R625 | \$90.00 |
| | | Outside Lever, Yale 6-pin, Left Hand | Satin Chrome | 118-508716-L626 | \$90.00 |

4000 (continued)



**Discontinued Product:
Parts Availability Limited**

| Item | Qty/Lock | Description | Finish | Part Number | List Price (USD) |
|------|----------|--|---------------|-----------------|------------------|
| 3 | 1 | Outside Lever, Yale 6-pin, Left Hand | Bright Brass | 118-508716-L605 | \$90.00 |
| | | Outside Lever, Yale 6-pin, Left Hand | Satin Brass | 118-508716-L606 | \$90.00 |
| | | Outside Lever, Yale 6-pin, Left Hand | Bright Chrome | 118-508716-L625 | \$90.00 |
| | | Outside Lever, Yale 6-pin, Right Hand | Satin Chrome | 118-508716-R626 | \$90.00 |
| | | Outside Lever, Yale 6-pin, Right Hand | Bright Brass | 118-508716-R605 | \$90.00 |
| | | Outside Lever, Yale 6-pin, Right Hand | Satin Brass | 118-508716-R606 | \$90.00 |
| | | Outside Lever, Yale 6-pin, Right Hand | Bright Chrome | 118-508716-R625 | \$90.00 |
| | | Outside Lever, Assa 6-pin - Medeco 6 & 7-pin, Left Hand | Satin Chrome | 118-508712-L626 | \$90.00 |
| | | Outside Lever, Assa 6-pin - Medeco 6 & 7-pin, Left Hand | Bright Brass | 118-508712-L605 | \$90.00 |
| | | Outside Lever, Assa 6-pin - Medeco 6 & 7-pin, Left Hand | Satin Brass | 118-508712-L606 | \$90.00 |
| | | Outside Lever, Assa 6-pin - Medeco 6 & 7-pin, Left Hand | Bright Chrome | 118-508712-L625 | \$90.00 |
| | | Outside Lever, Assa 6-pin - Medeco 6 & 7-pin, Right Hand | Satin Chrome | 118-508712-R626 | \$90.00 |
| | | Outside Lever, Assa 6-pin - Medeco 6 & 7-pin, Right Hand | Bright Brass | 118-508712-R605 | \$90.00 |
| | | Outside Lever, Assa 6-pin - Medeco 6 & 7-pin, Right Hand | Satin Brass | 118-508712-R606 | \$90.00 |
| | | Outside Lever, Assa 6-pin - Medeco 6 & 7-pin, Right Hand | Bright Chrome | 118-508712-R625 | \$90.00 |
| | | Outside Lever, Schlage 6-pin, Left Hand | Satin Chrome | 118-508710-L626 | \$90.00 |
| | | Outside Lever, Schlage 6-pin, Left Hand | Bright Brass | 118-508710-L605 | \$90.00 |
| | | Outside Lever, Schlage 6-pin, Left Hand | Satin Brass | 118-508710-L606 | \$90.00 |
| | | Outside Lever, Schlage 6-pin, Left Hand | Bright Chrome | 118-508710-L625 | \$90.00 |
| | | Outside Lever, Schlage 6-pin, Right Hand | Satin Chrome | 118-508710-R626 | \$90.00 |
| | | Outside Lever, Schlage 6-pin, Right Hand | Bright Brass | 118-508710-R605 | \$90.00 |
| | | Outside Lever, Schlage 6-pin, Right Hand | Satin Brass | 118-508710-R606 | \$90.00 |
| | | Outside Lever, Schlage 6-pin, Right Hand | Bright Chrome | 118-508710-R625 | \$90.00 |

| Item | Qty/Lock | Description | Finish | Part Number | List Price (USD) |
|---------------------------------|--------------|---|-----------------|-----------------|------------------|
| 3 | 1 | Outside Lever, Unican 7-pin, Left Hand | Satin Chrome | 118-509086-L626 | \$90.00 |
| | | Outside Lever, Unican 7-pin, Left Hand | Bright Brass | 118-509086-L605 | \$90.00 |
| | | Outside Lever, Unican 7-pin, Left Hand | Satin Brass | 118-509086-L606 | \$90.00 |
| | | Outside Lever, Unican 7-pin, Left Hand | Bright Chrome | 118-509086-L625 | \$90.00 |
| | | Outside Lever, Unican 7-pin, Right Hand | Satin Chrome | 118-509086-R626 | \$90.00 |
| | | Outside Lever, Unican 7-pin, Right Hand | Bright Brass | 118-509086-R605 | \$90.00 |
| | | Outside Lever, Unican 7-pin, Right Hand | Satin Brass | 118-509086-R606 | \$90.00 |
| | | Outside Lever, Unican 7-pin, Right Hand | Bright Chrome | 118-509086-R625 | \$90.00 |
| 4 | 1 | Bearing Outside Housing (10 per pack) | | 017-507003-K | \$17.00 |
| 5 | 1 | Stop Plate Kit (5 per pack) | | 041-507006-K | \$17.00 |
| 6 | 1 | Retaining Ring for Shaft Kit (10 per pack) | | 865-508055-K | \$10.00 |
| 7 | 1 | Outside Lever Torsion Spring Kit (10 per pack) | | 012-507005-K | \$30.00 |
| 8 | 1 | Retaining Ring for Stop Plate (10 per pack) | | 865-507007-K | \$12.00 |
| 9 | 1 | Dowel Pin (10 per pack) | | 870-507008-K | \$10.00 |
| 10 | 1 | Cylindrical Drive Assembly | | 118-507020 | \$90.00 |
| 11 | 1 | Outside Housing Gasket (5 per pack) | | 043-507018-K | \$14.00 |
| 12 | 1 | Front Face Plate | Stainless Steel | 041-507883-622 | \$14.00 |
| 13 | 1 | Spacer Kit .125" Thick (5 per Pack) | | 069-507347-3K | \$12.00 |
| | | Spacer Kit .330" Thick (5 per pack) | | 069-507347-2K | \$12.00 |
| | | Spacer Kit .04" Thick (5 per pack) | | 044-508285 | \$12.00 |
| 14 | 1 | 1/2" (13 mm) Latch, Floating Front Face, 2 3/4" (70 mm) backset (Includes screws) | Satin Chrome | 20416826D01 | \$35.00 |
| | | 1/2" (13 mm) Latch, Floating Front Face, 2 3/4" (70 mm) backset (Includes screws) | Satin Brass | 2041680401 | \$35.00 |
| | | Mortise, 1 1/4", Left Hand | Satin Chrome | M85/A1NL0-626 | \$130.00 |
| | | Mortise, 1 1/4", Left Hand | Satin Brass | M85/A1NL0-606 | \$130.00 |
| | | Mortise, 1 1/4", Right Hand | Satin Chrome | M85/A1NR0-626 | \$130.00 |
| | | Mortise, 1 1/4", Right Hand | Satin Brass | M85/A1NR0-606 | \$130.00 |
| | | Mortise, 1 1/4", Left Hand Reverse | Satin Brass | M85/A1NX0-606 | \$130.00 |
| | | Mortise, 1 1/4", Left Hand Reverse | Satin Chrome | M85/A1NX0-626 | \$130.00 |
| | | Mortise, 1 1/4", Right Hand Reverse | Satin Chrome | M85/A1NY0-606 | \$130.00 |
| | | Mortise, 1 1/4", Right Hand Reverse | Satin Chrome | M85/A1NY0-626 | \$130.00 |
| | | Mortise, 1", Left Hand | Satin Chrome | M85/A2NL0-626 | \$130.00 |
| | | Mortise, 1", Left Hand | Satin Brass | M85/A2NL0-606 | \$130.00 |
| | | Mortise, 1", Right Hand | Satin Chrome | M85/A2NR0-626 | \$130.00 |
| | | Mortise, 1", Right Hand | Satin Brass | M85/A2NR0-606 | \$130.00 |
| | | Mortise, 1", Left Hand Reverse | Satin Brass | M85/A2NX0-606 | \$130.00 |
| | | Mortise, 1", Left Hand Reverse | Satin Chrome | M85/A2NX0-626 | \$130.00 |
| Mortise, 1", Right Hand Reverse | Satin Chrome | M85/A2NY0-606 | \$130.00 | | |
| Mortise, 1", Right Hand Reverse | Satin Chrome | M85/A2NY0-626 | \$130.00 | | |
| 15 | 1 | Keypad Button Kit | | 062-507727-F | \$20.00 |
| 16 | 1 | Inside Housing Gasket (5 per Pack) | | 033-508931-K | \$10.00 |
| 17 | 1 | Rubber O-Ring for Clutch (10 per Pack) | | 043-508990-K | \$10.00 |

4000 (continued)



| Item | Qty/Lock | Description | Finish | Part Number | List Price (USD) |
|------|----------|---|--------------|-----------------|------------------|
| 18 | 1 | Brass Bearing (2 per Pack) | | 017-507141-K | \$14.00 |
| 19 | 1 | Motor Assembly | | 011-507241 | \$22.00 |
| 20 | 1 | Top End Cap (10 per Pack) | Black | 025-506836-K | \$50.00 |
| 21 | 1 | Drive Hub & Spindle Assembly – Door thickness 1 3/4" - 2" | | 118-507721-2 | \$30.00 |
| | | Drive Hub & Spindle Assembly – Door thickness 2" - 2 1/2" | | 118-5077211-4 | \$44.00 |
| 22 | 1 | Sealed Battery Pack (10 Pack) | | 118-508847-10 | \$140.00 |
| 23 | 2 | Battery Pack Screw (10 per Pack) | | 840-506186-K | \$10.00 |
| 24 | 1 | Hand Siding Pin (10 per Pack) | | 027-506727-K | \$10.00 |
| 25 | 1 | Nylon Bearing Washer (10 per Pack) | | 860-507697-K | \$8.00 |
| 26 | 1 | Nylon Bearing Inside Lever (10 per Pack) | | 017-506997-001K | \$28.00 |
| 27 | 1 | Inside Lever Torsion Spring (10 Pack)(old # 012-506935) | | 012-508561K | \$25.00 |
| 28 | 1 | Inside Cover | Satin Chrome | V40-NO-605 | \$60.00 |
| | | Inside Cover | Satin Brass | V40-NO-606 | \$60.00 |
| | | Inside Cover | Bright Brass | V40-NO-626 | \$60.00 |
| 29 | 1 | Lever Set Screw (10 per Pack) | | 941-508018-K | \$16.00 |
| 30 | 1 | Inside Lever | Satin Chrome | 062-510477-626 | \$60.00 |
| | | Inside Lever | Satin Brass | 062-510477-606 | \$60.00 |
| | | Inside Lever | Bright Brass | 062-510477-605 | \$60.00 |

Additional Kits and Accessories

| | | | | | |
|--|--|--|--|--------------|---------|
| | | Allen Key 5/64" (10 per Pack) (Not Shown in Exploded View) | | 138-507930-K | \$10.00 |
|--|--|--|--|--------------|---------|

***Discontinued Product—Parts Availability Limited**

4000