

TS 92 XEA

Slide channel door closers for interior doors in XEA design

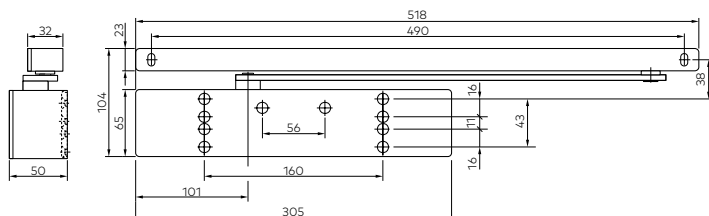
dormakaba 



The TS 92 XEA complements the extensive TS 98 XEA slide channel door closer system – at a market-based price and with an outstanding level of quality.

With the EASY OPEN technology, the TS 92 XEA door closer in XEA design offers the usual enhanced user convenience of dormakaba slide channel door closers. The linear drive with the heart-shaped cam disc ensures a rapidly decreasing opening torque and minimizes effort. As a result, our door closer is barrier-free in accordance with DIN 18040 and not only makes doors easy to open but also offers slow closing.

In the final phase of the closing of a door, the closing torque increases, and the door is reliably closed. The closing speed is adjustable and makes the TS 92 XEA a user-friendly solution for interior standard and fire doors. For door widths of up to 1,100 mm, the TS 92 XEA is suitable for barrier-free doors in accordance with DIN 18040 and meets the requirements of DIN SPEC 1104.
ISO 9001 certified.



Advantages for trade

- Tried-and-tested slide channel technology for standard doors and fire doors
- Low storage costs and low procurement expenses with uniform slide channels from the XEA series.

Advantages for installers

- Suitable for LH as well as RH doors.
- Quick and easy installation and adjusted with less movements.

Advantages for planners

- Optimum price-performance ratio.
- Consistent appearance throughout the XEA slide channel program.

Advantages for the end user

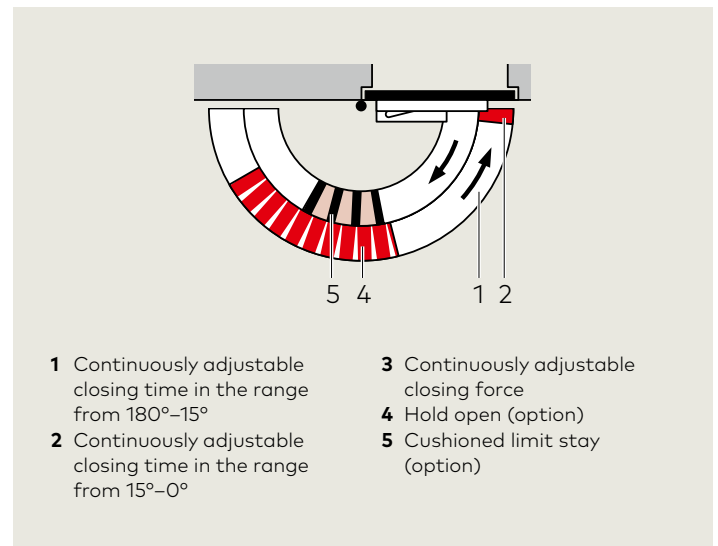
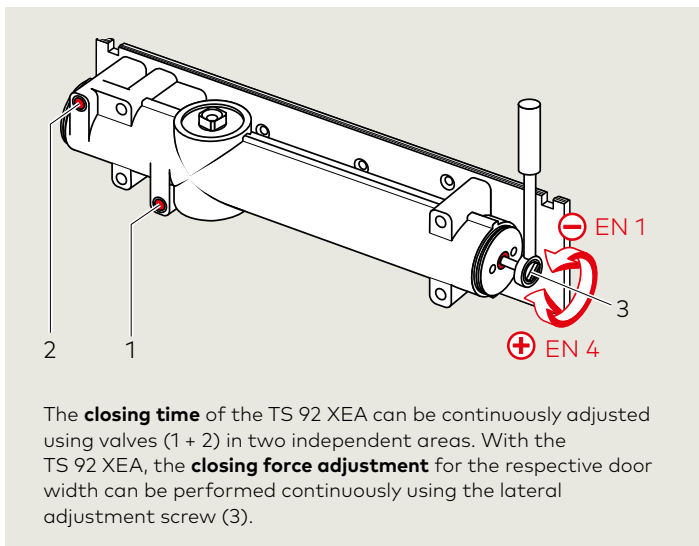
- High level of user convenience and fully controlled closing.
- Optimal adjustment of the closing time and safe and quiet closing due to two closing paths.

Data and features		TS 92 XEA B/G ¹⁾
Continuously adjustable closing force	Size	EN 1-4
General doors ²⁾	≤ 1,100 mm	●
Exterior doors, opening outwards ²⁾		-
Fire and smoke doors		●
Same design for DIN-L (left-handed door) and DIN-R (right-handed door)		●
Bar	Slide channel	●
Closing time continuously adjustable using two separate valves	180°-15°	●
	15°-0°	●
Mechanical cushioned limit stay		○
Back check		-
Delayed closing		-
Hold open		○
Weight in kg		2.2
Dimensions in mm	Length	305
	installation depth	50
	height	65
Door closers tested in accordance with BS EN 1154		●
CE-Identification for construction products		●
Barrier-free in accordance with German Industrial Standard (DIN) 18040		●

● Yes - No ○ option

¹⁾ B = version for door-leaf mounting on hinge side/lintel mounting on the opposite hinge side.
G = version for door-leaf mounting on the opposite hinge side/lintel mounting on the hinge side.

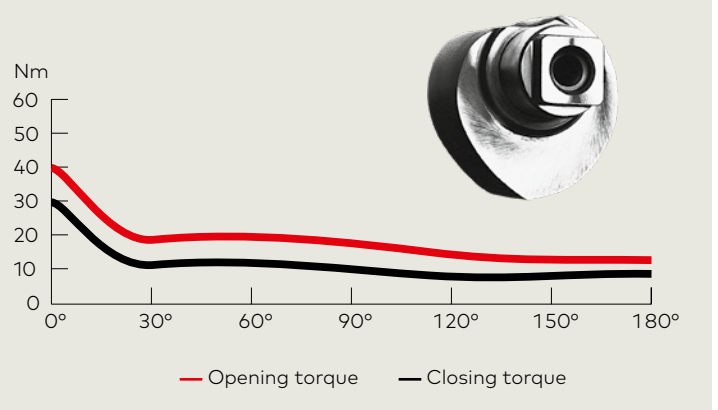
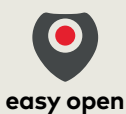
²⁾ We recommend TS 98 XEA for exceptionally heavy doors and doors which need to close against wind pressure.



Torque characteristics

The heart-shaped cam disc and the linear drive, which are a distinctive feature of all slide channel door closers, ensure easy operation of the door due to rapidly decreasing opening torque.

TS 92 XEA B closing force adjustment size EN 4



Any questions? We would be happy to answer any questions you may have.