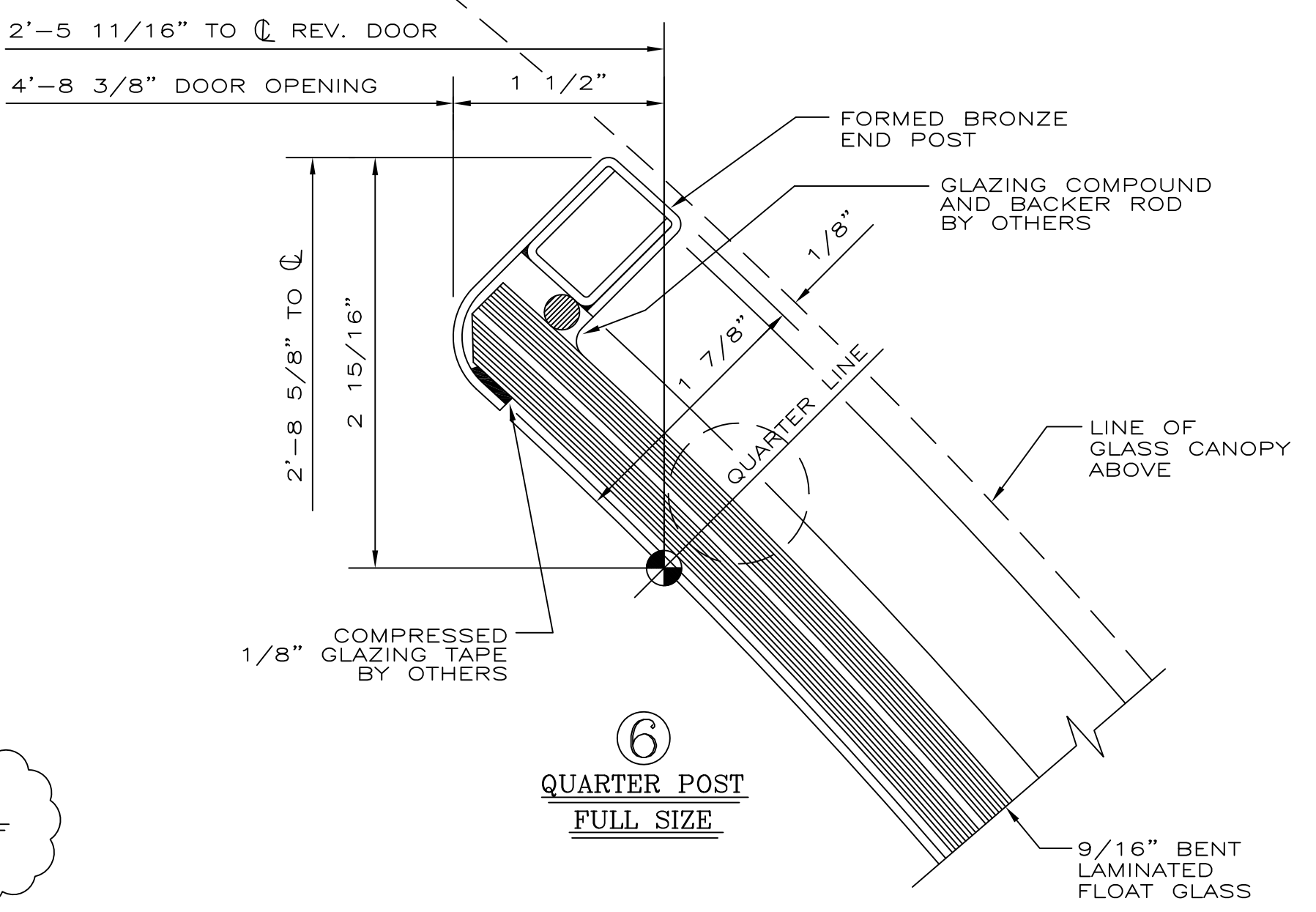
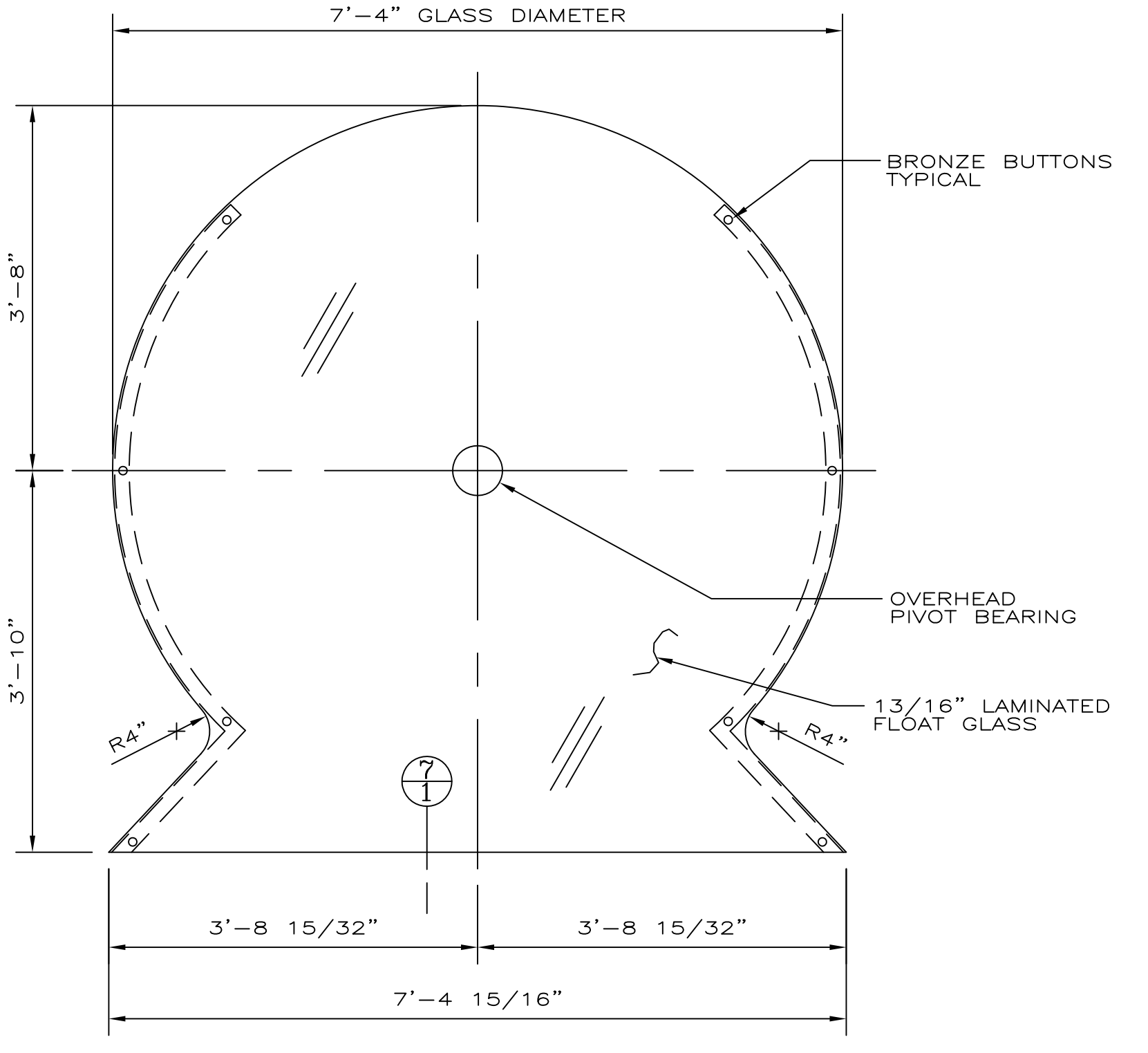


RADIUS IN CEILING GLASS REQUIRED TO HELP REDUCE RISK OF BREAKAGE.

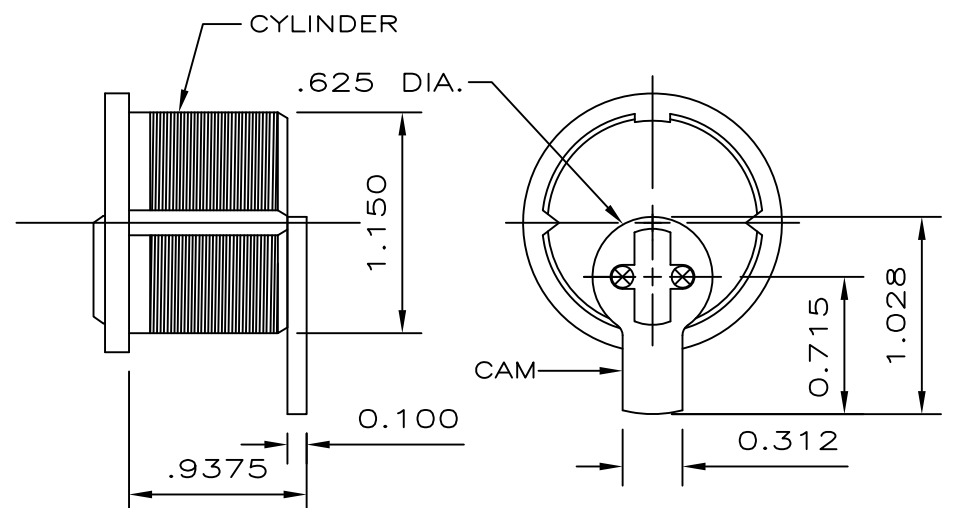
5
EXTERIOR EXTENSION
FULL SIZE



6
QUARTER POST
FULL SIZE

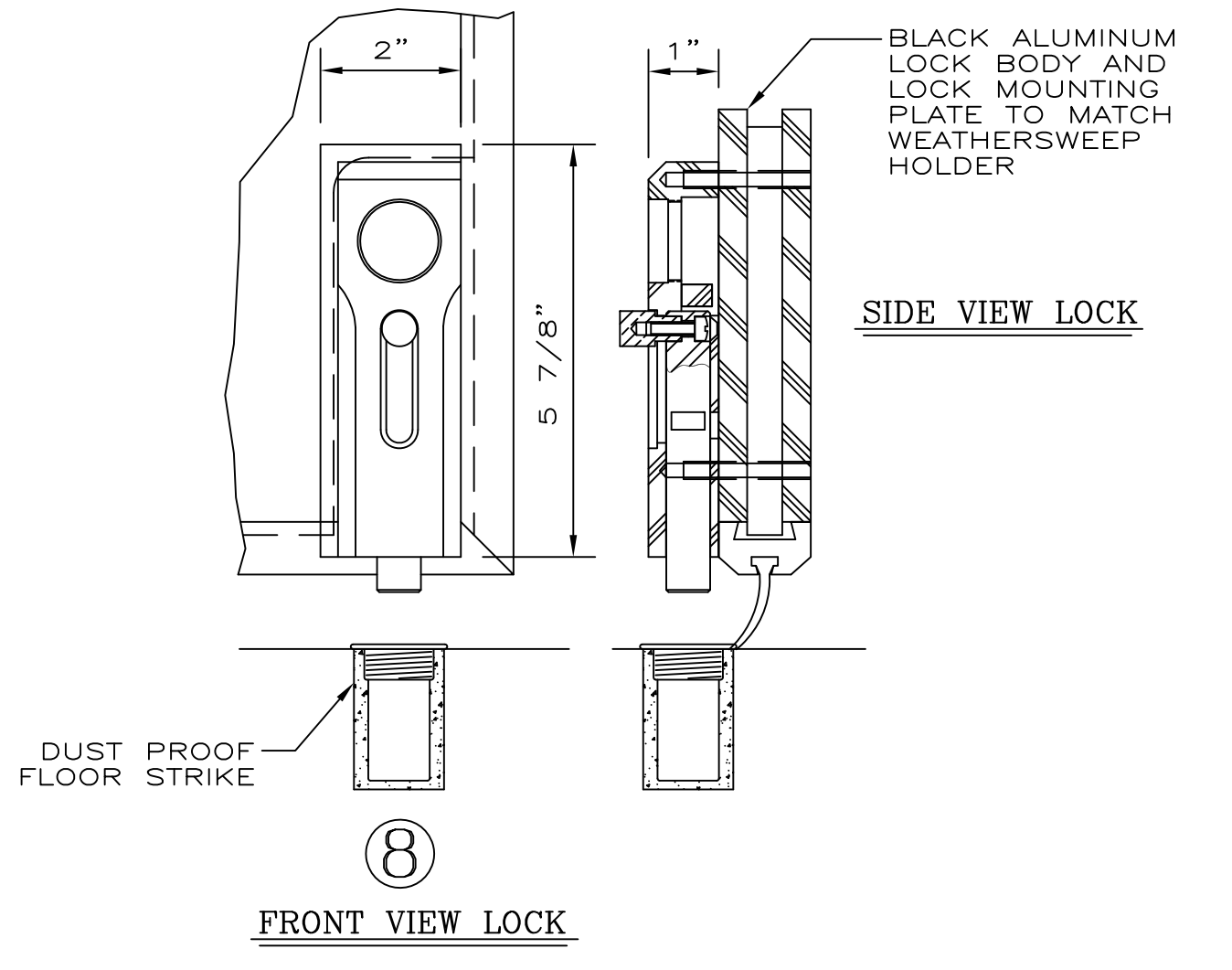


CANOPY PLAN
SCALE: 3/4" = 1'-0"



TYPICAL CYLINDER AND
"STRAIGHT ARM" TYPE CAM REQUIRED
SUPPLIED BY OTHERS
FULL SIZE

NOTE: ADAMS-RITE CAM MAY BE SUBSTITUTED



NOTE: PRIOR TO FABRICATION, SHOP DRAWINGS AND FINISH SAMPLES MUST BE FULLY APPROVED AND RETURNED TO C.D.C.

CRANE DORMA REVOLVING DOORS™	
PHONE : 847-295-2700	FAX : 847-295-5288
SCALE : AS SHOWN	JOB NAME : XXX
DRAWN BY : JG	
REVISIONS :	
LOCATION :	PLEASE ADVISE
ARCHITECT :	PLEASE ADVISE
CONTRACTOR :	PLEASE ADVISE
SUB. CONTRACTOR :	PLEASE ADVISE
MFG. REPRESENTATIVE :	PLEASE ADVISE
FAB. CHECK :	HOW. CHECK :
CHECKED BY :	NOTES : X
ORD. NO. :	
DATE : 2009	SHEET 2 OF 2
	DRAWING NO. : BZ 4000 L