



## 6250 Offset Round Entrance Pull Handles

dormakaba's offset round entrance pull handles epitomize the high quality ambitions of the dormakaba brand – designed for excellence down to the very last detail and exuding fine craftsmanship. They offer genuine quality, characterised by clearly defined features – irrespective of shape or size.

Created in solid, premium 316 Marine Grade Stainless Steel offering superior corrosion resistance for internal and external use in high traffic buildings. The offset round section allows comfortable ease of use.

The 6250 offset round entry pull handles are an ideal choice for residential and commercial applications and are suitable for use on glass, timber and aluminium doors.

Please refer to ordering details for a range of optional accessories to suit:

- Back to back extended fixing for timber doors
- Back to back fixing for glass doors
- Disc fixing for timber doors
- Disc fixing for glass doors

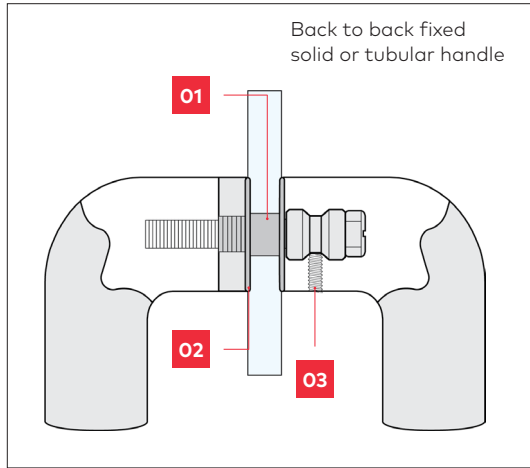
### Features at a glance:

- 316 Marine Grade Stainless Steel
- Designed with your project's needs in mind
- High durability with concealed fixings
- Standard finishes: SSS and PSS
- Powdercoat and custom finishes available on request

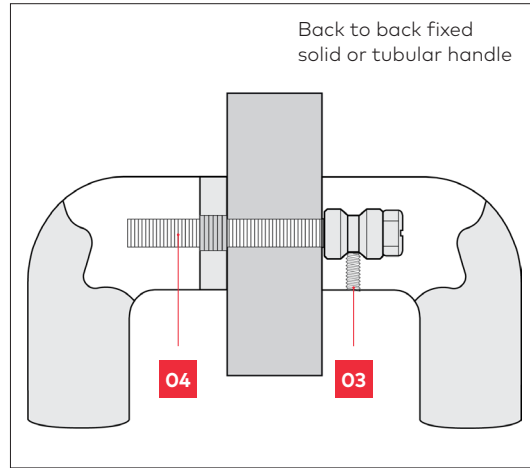
dormakaba Australia  
Head Office  
12-13 Dansu Court  
Hallam VIC 3803  
T: 1800 675 411  
[info.au@dormakaba.com](mailto:info.au@dormakaba.com)  
[www.dormakaba.com.au](http://www.dormakaba.com.au)

dormakaba New Zealand  
Head Office  
Building P, 61-69 Patiki Road  
Avondale, Auckland 1026  
T: 0800 436 762  
[info.nz@dormakaba.com](mailto:info.nz@dormakaba.com)  
[www.dormakaba.co.nz](http://www.dormakaba.co.nz)

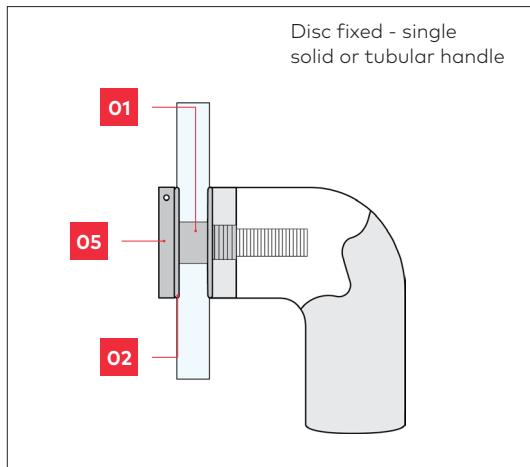
# Fixing options



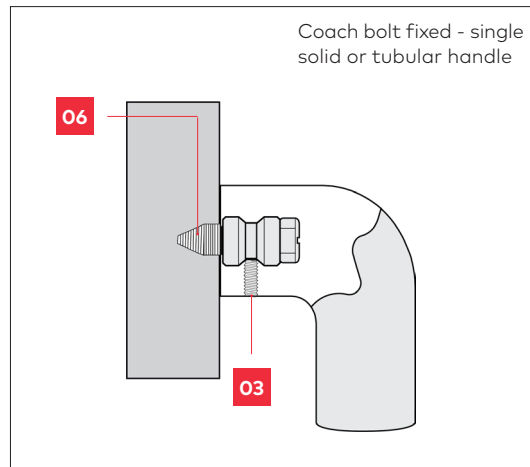
**GD FIX** - glass doors



**TM FIX** - timber or metal doors



**D FIX** - glass, metal or timber doors



**C FIX** - timber doors only

**Note**

Nylon spacers and washers are included with handle for glass door fixing option.

**Legend**

- 01 Spacer
- 02 Washer
- 03 Grub Screw
- 04 Bolt
- 05 Disc
- 06 Coach Bolt

**TIMBER DOOR FIXING**

Material Size	Bolt Size
14mm Ø	5mm
16mm Ø	5mm
19mm Ø	8mm
25mm Ø	8mm
32mm Ø	8mm

**METAL DOOR FIXING**

Material Size	Bolt Size
14mm Ø	5mm
16mm Ø	5mm
19mm Ø	8mm
25mm Ø	8mm
32mm Ø	8mm

**GLASS DOOR FIXING**

Material Size	Bolt Size
14mm Ø	12mm Ø
16mm Ø	12mm Ø
19mm Ø	12mm Ø
25mm Ø	12mm Ø
32mm Ø	12mm Ø

# Ordering details

Item	Article Number	Description	Diameter	Projection	Offset	Length	Fixing Centres
<b>BACK TO BACK FIXING</b>							
B6250/G/19/PSS	9457258813102	B6250/G/19 OA 1800 CTC 1640 PSS	19mm	65mm	90mm	1800mm	1640mm
B6250/G/19/SSS	9457258813101	B6250/G/19 OA 1800 CTC 1640 SSS	19mm	65mm	90mm	1800mm	1640mm
B6250/H/19/PSS	9457258603102	B6250/H/19 OA 1700 CTC 1540 PSS	19mm	65mm	90mm	1700mm	1540mm
B6250/H/19/SSS	9457258603101	B6250/H/19 OA 1700 CTC 1540 SSS	19mm	65mm	90mm	1700mm	1540mm
B6250/I/19/PSS	9457258273102	B6250/I/19 OA 1600 CTC 1440 PSS	19mm	65mm	90mm	1600mm	1440mm
B6250/I/19/SSS	9457258273101	B6250/I/19 OA 1600 CTC 1440 SSS	19mm	65mm	90mm	1600mm	1440mm
B6250/J/19/PSS	9457257943102	B6250/J/19 OA 1500 CTC 1340 PSS	19mm	65mm	90mm	1500mm	1340mm
B6250/J/19/SSS	9457257943101	B6250/J/19 OA 1500 CTC 1340 SSS	19mm	65mm	90mm	1500mm	1340mm
B6250/K/19/PSS	9457257613102	B6250/K/19 OA 1400 CTC 1240 PSS	19mm	65mm	90mm	1400mm	1240mm
B6250/K/19/SSS	9457257613101	B6250/K/19 OA 1400 CTC 1240 SSS	19mm	65mm	90mm	1400mm	1240mm
B6250/L/19/PSS	9457257223102	B6250/L/19 OA 1300 CTC 1140 PSS	19mm	65mm	90mm	1300mm	1140mm
B6250/L/19/SSS	9457257223101	B6250/L/19 OA 1300 CTC 1140 SSS	19mm	65mm	90mm	1300mm	1140mm
B6250/M/19/PSS	9457256893102	B6250/M/19 OA 1200 CTC 1040 PSS	19mm	65mm	90mm	1200mm	1040mm
B6250/M/19/SSS	9457256893101	B6250/M/19 OA 1200 CTC 1040 SSS	19mm	65mm	90mm	1200mm	1040mm
B6250/N/19/PSS	9457256473102	B6250/N/19 OA 1100 CTC 940 PSS	19mm	65mm	90mm	1100mm	940mm
B6250/N/19/SSS	9457256473101	B6250/N/19 OA 1100 CTC 940 SSS	19mm	65mm	90mm	1100mm	940mm
B6250/O/19/PSS	9457256083102	B6250/O/19 OA 1000 CTC 840 PSS	19mm	65mm	90mm	1000mm	840mm
B6250/O/19/SSS	9457256083101	B6250/O/19 OA 1000 CTC 840 SSS	19mm	65mm	90mm	1000mm	840mm
B6250/P/19/PSS	9457255513102	B6250/P/19 OA 900 CTC 740 PSS	19mm	65mm	90mm	900mm	740mm
B6250/P/19/SSS	9457255513101	B6250/P/19 OA 900 CTC 740 SSS	19mm	65mm	90mm	900mm	740mm
B6250/Q/19/PSS	9457255063102	B6250/Q/19 OA 800 CTC 640 PSS	19mm	65mm	90mm	800mm	640mm
B6250/Q/19/SSS	9457255063101	B6250/Q/19 OA 800 CTC 640 SSS	19mm	65mm	90mm	800mm	640mm
B6250/R/19/PSS	9457254583102	B6250/R/19 OA 700 CTC 540 PSS	19mm	65mm	90mm	700mm	540mm
B6250/R/19/SSS	9457254583101	B6250/R/19 OA 700 CTC 540 SSS	19mm	65mm	90mm	700mm	540mm
B6250/S/19/PSS	9457253893102	B6250/S/19 OA 600 CTC 440 PSS	19mm	65mm	90mm	600mm	440mm
B6250/S/19/SSS	9457253893101	B6250/S/19 OA 600 CTC 440 SSS	19mm	65mm	90mm	600mm	440mm
B6250/T/19/PSS	9457253203102	B6250/T/19 OA 500 CTC 340 PSS	19mm	65mm	90mm	500mm	340mm
B6250/T/19/SSS	9457253203101	B6250/T/19 OA 500 CTC 340 SSS	19mm	65mm	90mm	500mm	340mm
B6250/U/19/PSS	9457252483102	B6250/U/19 OA 400 CTC 240 PSS	19mm	65mm	90mm	400mm	240mm
B6250/U/19/SSS	9457252483101	B6250/U/19 OA 400 CTC 240 SSS	19mm	65mm	90mm	400mm	240mm
<b>ACCESSORIES - EXTENDED FIXINGS</b>							
TM/M8/50	9459508058200	M8/50 FERULE HEAD BOLT TM FIX	<b>Note: When ordering extended fixings please use the below formula.</b> Door thickness + 20mm for the Ferule + 10mm in to the other handle = round up to the nearest size offered.				
TM/M8/75	9459758078200	M8/75 FERULE HEAD BOLT TM FIX					
TM/M8/90	9400000012887	M8/90 BOLT & 16MM FERULE TM FIX					
TM/M8/100	9400000012888	M8/100 BOLT & 16MM FERULE TM FIX					
TM/M8/110	9459118118200	M8/110 BOLT & 16MM FERULE TM FIX					
TM/M8/120	9459128128200	M8/120 BOLT & 16MM FERULE TM FIX					
TM/M8/130	9459138138200	M8/130 BOLT & 16MM FERULE TM FIX					
TM/M8/150	9459158158200	M8/150 BOLT & 16MM FERULE TM FIX					

# Ordering details

Item	Article Number	Description	Diameter	Projection	Offset	Length	Fixing Centres
<b>ACCESSORIES - GLASS FIXINGS</b>							
GF19/M8/50 RND	9459501988301	19 DIA RND GLASS FIXING PAIRS					
<b>CONCEALED FIXING</b>							
C6250/G/19/PSS	9457258813202	C6250/G/19 OA 1800 CTC 1640 PSS	19mm	65mm	90mm	1800mm	1640mm
C6250/G/19/SSS	9457258813201	C6250/G/19 OA 1800 CTC 1640 SSS	19mm	65mm	90mm	1800mm	1640mm
C6250/H/19/PSS	9457258603202	C6250/H/19 OA 1700 CTC 1540 PSS	19mm	65mm	90mm	1700mm	1540mm
C6250/H/19/SSS	9457258603201	C6250/H/19 OA 1700 CTC 1540 SSS	19mm	65mm	90mm	1700mm	1540mm
C6250/I/19/PSS	9457258273202	C6250/I/19 OA 1600 CTC 1440 PSS	19mm	65mm	90mm	1600mm	1440mm
C6250/I/19/SSS	9457258273201	C6250/I/19 OA 1600 CTC 1440 SSS	19mm	65mm	90mm	1600mm	1440mm
C6250/J/19/PSS	9457257943202	C6250/J/19 OA 1500 CTC 1340 PSS	19mm	65mm	90mm	1500mm	1340mm
C6250/J/19/SSS	9457257943201	C6250/J/19 OA 1500 CTC 1340 SSS	19mm	65mm	90mm	1500mm	1340mm
C6250/K/19/PSS	9457257613202	C6250/K/19 OA 1400 CTC 1240 PSS	19mm	65mm	90mm	1400mm	1240mm
C6250/K/19/SSS	9457257613201	C6250/K/19 OA 1400 CTC 1240 SSS	19mm	65mm	90mm	1400mm	1240mm
C6250/L/19/PSS	9457257223202	C6250/L/19 OA 1300 CTC 1140 PSS	19mm	65mm	90mm	1300mm	1140mm
C6250/L/19/SSS	9457257223201	C6250/L/19 OA 1300 CTC 1140 SSS	19mm	65mm	90mm	1300mm	1140mm
C6250/M/19/PSS	9457256893202	C6250/M/19 OA 1200 CTC 1040 PSS	19mm	65mm	90mm	1200mm	1040mm
C6250/M/19/SSS	9457256893201	C6250/M/19 OA 1200 CTC 1040 SSS	19mm	65mm	90mm	1200mm	1040mm
C6250/N/19/PSS	9457256473202	C6250/N/19 OA 1100 CTC 940 PSS	19mm	65mm	90mm	1100mm	940mm
C6250/N/19/SSS	9457256473201	C6250/N/19 OA 1100 CTC 940 SSS	19mm	65mm	90mm	1100mm	940mm
C6250/O/19/PSS	9457256083202	C6250/O/19 OA 1000 CTC 840 PSS	19mm	65mm	90mm	1000mm	840mm
C6250/O/19/SSS	9457256083201	C6250/O/19 OA 1000 CTC 840 SSS	19mm	65mm	90mm	1000mm	840mm
C6250/P/19/PSS	9457255513202	C6250/P/19 OA 900 CTC 740 PSS	19mm	65mm	90mm	900mm	740mm
C6250/P/19/SSS	9457255513201	C6250/P/19 OA 900 CTC 740 SSS	19mm	65mm	90mm	900mm	740mm
C6250/Q/19/PSS	9457255063202	C6250/Q/19 OA 800 CTC 640 PSS	19mm	65mm	90mm	800mm	640mm
C6250/Q/19/SSS	9457255063201	C6250/Q/19 OA 800 CTC 640 SSS	19mm	65mm	90mm	800mm	640mm
C6250/R/19/PSS	9457254583202	C6250/R/19 OA 700 CTC 540 PSS	19mm	65mm	90mm	700mm	540mm
C6250/R/19/SSS	9457254583201	C6250/R/19 OA 700 CTC 540 SSS	19mm	65mm	90mm	700mm	540mm
C6250/S/19/PSS	9457253893202	C6250/S/19 OA 600 CTC 440 PSS	19mm	65mm	90mm	600mm	440mm
C6250/S/19/SSS	9457253893201	C6250/S/19 OA 600 CTC 440 SSS	19mm	65mm	90mm	600mm	440mm
C6250/T/19/PSS	9457253203202	C6250/T/19 OA 500 CTC 340 PSS	19mm	65mm	90mm	500mm	340mm
C6250/T/19/SSS	9457253203201	C6250/T/19 OA 500 CTC 340 SSS	19mm	65mm	90mm	500mm	340mm
C6250/U/19/PSS	9457252483202	C6250/U/19 OA 400 CTC 240 PSS	19mm	65mm	90mm	400mm	240mm
C6250/U/19/SSS	9457252483201	C6250/U/19 OA 400 CTC 240 SSS	19mm	65mm	90mm	400mm	240mm

# Ordering details

Item	Article Number	Description	Diameter	Projection	Offset	Length	Fixing Centres
<b>DISC FIXING</b>							
D6250/G/19/PSS	9457258813302	D6250/G/19 OA 1800 CTC 1640 PSS	19mm	65mm	90mm	1800mm	1640mm
D6250/G/19/SSS	9457258813301	D6250/G/19 OA 1800 CTC 1640 SSS	19mm	65mm	90mm	1800mm	1640mm
D6250/H/19/PSS	9457258603302	D6250/H/19 OA 1700 CTC 1540 PSS	19mm	65mm	90mm	1700mm	1540mm
D6250/H/19/SSS	9457258603301	D6250/H/19 OA 1700 CTC 1540 SSS	19mm	65mm	90mm	1700mm	1540mm
D6250/I/19/PSS	9457258273302	D6250/I/19 OA 1600 CTC 1440 PSS	19mm	65mm	90mm	1600mm	1440mm
D6250/I/19/SSS	9457258273301	D6250/I/19 OA 1600 CTC 1440 SSS	19mm	65mm	90mm	1600mm	1440mm
D6250/J/19/PSS	9457257943302	D6250/J/19 OA 1500 CTC 1340 PSS	19mm	65mm	90mm	1500mm	1340mm
D6250/J/19/SSS	9457257943301	D6250/J/19 OA 1500 CTC 1340 SSS	19mm	65mm	90mm	1500mm	1340mm
D6250/K/19/PSS	9457257613302	D6250/K/19 OA 1400 CTC 1240 PSS	19mm	65mm	90mm	1400mm	1240mm
D6250/K/19/SSS	9457257613301	D6250/K/19 OA 1400 CTC 1240 SSS	19mm	65mm	90mm	1400mm	1240mm
D6250/L/19/PSS	9457257223302	D6250/L/19 OA 1300 CTC 1140 PSS	19mm	65mm	90mm	1300mm	1140mm
D6250/L/19/SSS	9457257223301	D6250/L/19 OA 1300 CTC 1140 SSS	19mm	65mm	90mm	1300mm	1140mm
D6250/M/19/PSS	9457256893302	D6250/M/19 OA 1200 CTC 1040 PSS	19mm	65mm	90mm	1200mm	1040mm
D6250/M/19/SSS	9457256893301	D6250/M/19 OA 1200 CTC 1040 SSS	19mm	65mm	90mm	1200mm	1040mm
D6250/N/19/PSS	9457256473302	D6250/N/19 OA 1100 CTC 940 PSS	19mm	65mm	90mm	1100mm	940mm
D6250/N/19/SSS	9457256473301	D6250/N/19 OA 1100 CTC 940 SSS	19mm	65mm	90mm	1100mm	940mm
D6250/O/19/PSS	9457256083302	D6250/O/19 OA 1000 CTC 840 PSS	19mm	65mm	90mm	1000mm	840mm
D6250/O/19/SSS	9457256083301	D6250/O/19 OA 1000 CTC 840 SSS	19mm	65mm	90mm	1000mm	840mm
D6250/P/19/PSS	9457255513302	D6250/P/19 OA 900 CTC 740 PSS	19mm	65mm	90mm	900mm	740mm
D6250/P/19/SSS	9457255513301	D6250/P/19 OA 900 CTC 740 SSS	19mm	65mm	90mm	900mm	740mm
D6250/Q/19/PSS	9457255063302	D6250/Q/19 OA 800 CTC 640 PSS	19mm	65mm	90mm	800mm	640mm
D6250/Q/19/SSS	9457255063301	D6250/Q/19 OA 800 CTC 640 SSS	19mm	65mm	90mm	800mm	640mm
D6250/R/19/PSS	9457254583302	D6250/R/19 OA 700 CTC 540 PSS	19mm	65mm	90mm	700mm	540mm
D6250/R/19/SSS	9457254583301	D6250/R/19 OA 700 CTC 540 SSS	19mm	65mm	90mm	700mm	540mm
D6250/S/19/PSS	9457253893302	D6250/S/19 OA 600 CTC 440 PSS	19mm	65mm	90mm	600mm	440mm
D6250/S/19/SSS	9457253893301	D6250/S/19 OA 600 CTC 440 SSS	19mm	65mm	90mm	600mm	440mm
D6250/T/19/PSS	9457253203302	D6250/T/19 OA 500 CTC 340 PSS	19mm	65mm	90mm	500mm	340mm
D6250/T/19/SSS	9457253203301	D6250/T/19 OA 500 CTC 340 SSS	19mm	65mm	90mm	500mm	340mm
D6250/U/19/PSS	9457252483302	D6250/U/19 OA 400 CTC 240 PSS	19mm	65mm	90mm	400mm	240mm
D6250/U/19/SSS	9457252483301	D6250/U/19 OA 400 CTC 240 SSS	19mm	65mm	90mm	400mm	240mm
<b>ACCESSORIES - EXTENDED FIXINGS</b>							
DF19/M8/75 SSS	9459751988101	19MM DISK FIX PAIR M8X75MM SSS					
DF19/M8/75 PSS	9459751988102	19MM DISK FIX PAIR M8X75MM PSS					
<b>ACCESSORIES - GLASS FIXINGS</b>							
GDF/19/M8/50 PSS	9459501988102	19MM GLASS DISK FIX PAIR PSS M8X50MM					
GDF/19/M8/50 SSS	9459501988101	19MM GLASS DISK FIX PAIR SSS M8X50MM					