

*AS REQUIRED TO CLEAR STOP OR HOLDER

FOR 1/4-20 MACHINE SCREWS USE 7/32\" DRILL

FOR No.14 WOOD SCREWS USE 5/32\" DRILL

DPK FASTENERS DRILL 1/8\" PILOT HOLE

FOUR (4) HOLES IN FRAME FOR PA BRACKET

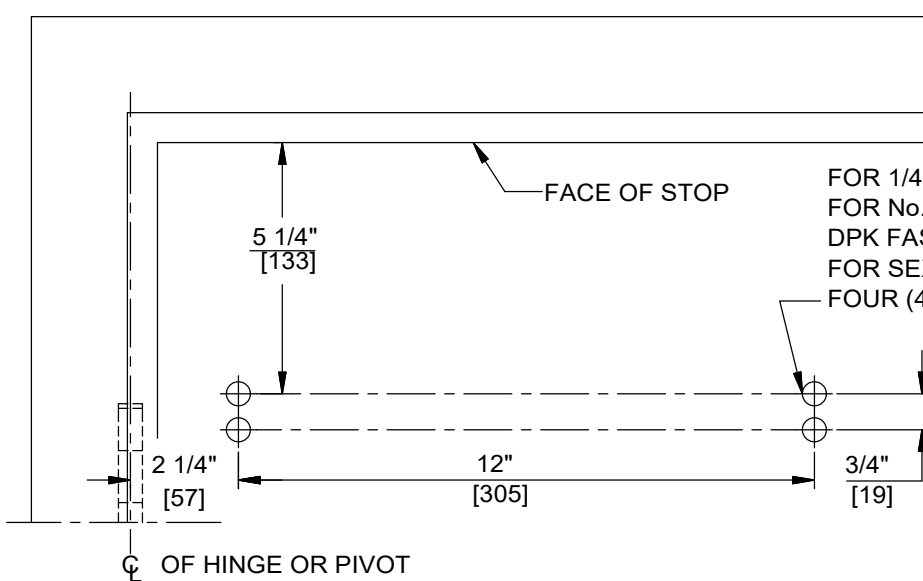
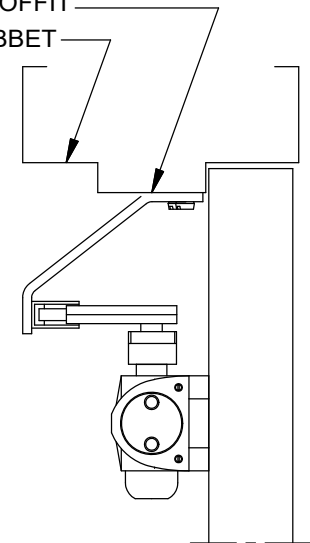
NOTES:

1. DO NOT SCALE DRAWING.
2. DIMENSIONS ARE IN INCHES/(MM).
3. LEFT HAND DOOR SHOWN.
4. CAUTION: SEX NUTS ARE REQUIRED FOR ATTACHMENT OF COMPONENTS TO UNREINFORCED DOORS AND TO WOOD OR PLASTIC FACED COMPOSITE TYPE FIRE DOORS, UNLESS AN ALTERNATIVE METHOD IS IDENTIFIED IN THE INDIVIDUAL DOOR MANUFACTURER'S LISTINGS.
5. MAX. OPENING IS 180°.
6. OPTIONAL DPK FASTENERS (DPK86) FOR STEEL DOOR & FRAME ONLY.

PD SOFFIT BRACKET SHOWN ON SOFFIT

CAN ALSO MOUNT ON FRAME RABBET

CAUTION: ALWAYS LOCATE CLOSER FROM SOFFIT BRACKET MOUNTING SURFACE



FOR 1/4-20 MACHINE SCREWS USE 7/32\" DRILL & TAP

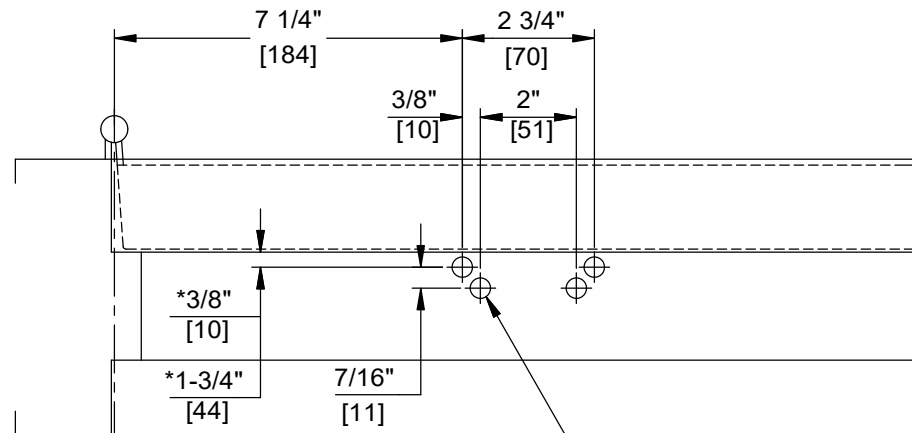
FOR No.14 WOOD SCREWS USE 5/32\" DRILL

DPK FASTENERS DRILL 1/8\" PILOT HOLE

FOR SEX NUTS USE 3/8\" DRILL

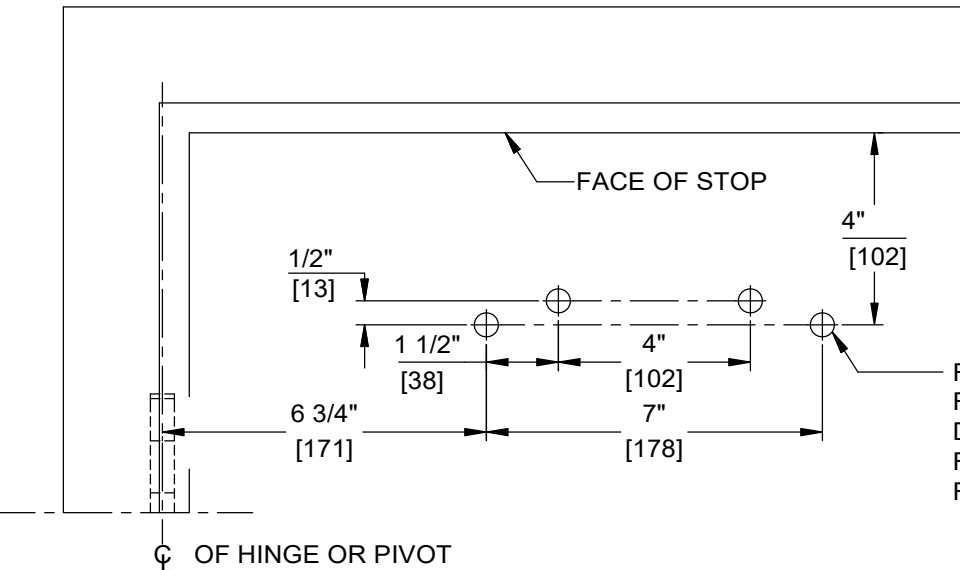
FOUR (4) HOLES IN DOOR FOR CLOSER

DOOR CLOSER MODELS: 8616 AF86P, ARP x PD
PARALLEL ARM INSTALLATION (PUSH SIDE MOUNT)



*AS REQUIRED TO CLEAR STOP OR HOLDER

FOR 1/4-20 MACHINE SCREWS USE 7/32" DRILL
 FOR No.14 WOOD SCREWS USE 5/32" DRILL
 DPK FASTENERS DRILL 1/8" PILOT HOLE
 FOUR (4) HOLES IN FRAME FOR PA BRACKET



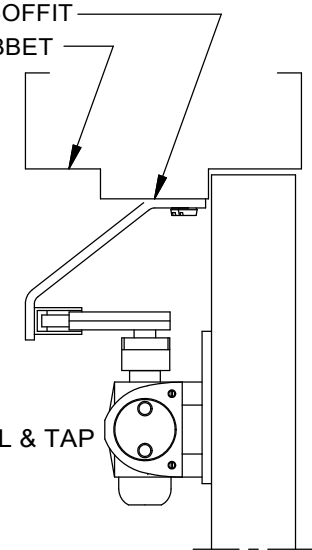
FOR 1/4-20 MACHINE SCREWS USE 7/32" DRILL & TAP
 FOR No.14 WOOD SCREWS USE 5/32" DRILL
 DPK FASTENERS DRILL 1/8" PILOT HOLE
 FOR SEX NUTS USE 3/8" DRILL
 FOUR (4) HOLES IN DOOR FOR PLATE

NOTES:

1. DO NOT SCALE DRAWING.
2. DIMENSIONS ARE IN INCHES/(MM).
3. LEFT HAND DOOR SHOWN.
4. CAUTION: SEX NUTS ARE REQUIRED FOR ATTACHMENT OF COMPONENTS TO UNREINFORCED DOORS AND TO WOOD OR PLASTIC FACED COMPOSITE TYPE FIRE DOORS, UNLESS AN ALTERNATIVE METHOD IS IDENTIFIED IN THE INDIVIDUAL DOOR MANUFACTURER'S LISTINGS.
5. MAX. OPENING IS 180°.
6. OPTIONAL DPK FASTENERS (DPK86) FOR STEEL DOOR & FRAME ONLY.

PD SOFFIT BRACKET SHOWN ON SOFFIT
 CAN ALSO MOUNT ON FRAME RABBET

CAUTION: ALWAYS LOCATE CLOSER
 FROM SOFFIT BRACKET
 MOUNTING SURFACE



DOOR CLOSER MODELS: 8616 AFP, ARP x PD
 PARALLEL ARM INSTALLATION (PUSH SIDE MOUNT)
 WITH PLATES DP86, DP86FC