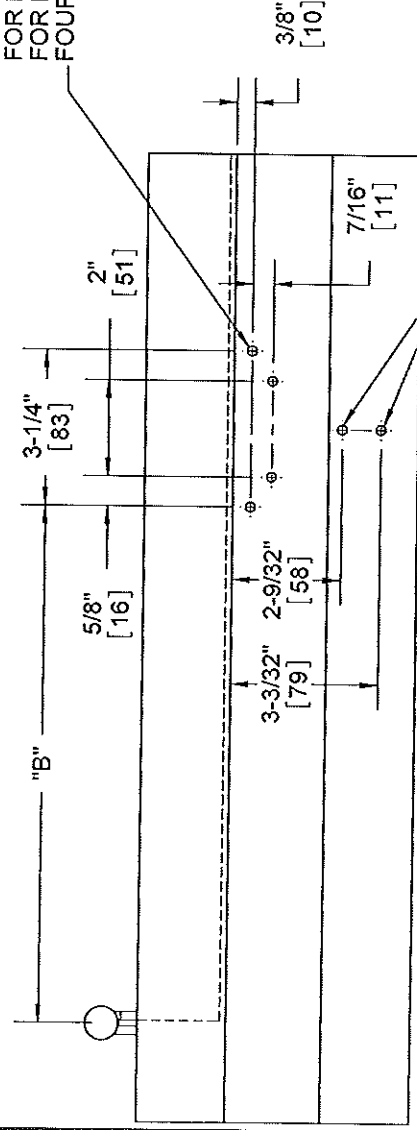


Always consult DORMA's web site for latest template at [www.dorma-usa.com](http://www.dorma-usa.com) or call 1-800-523-8483.

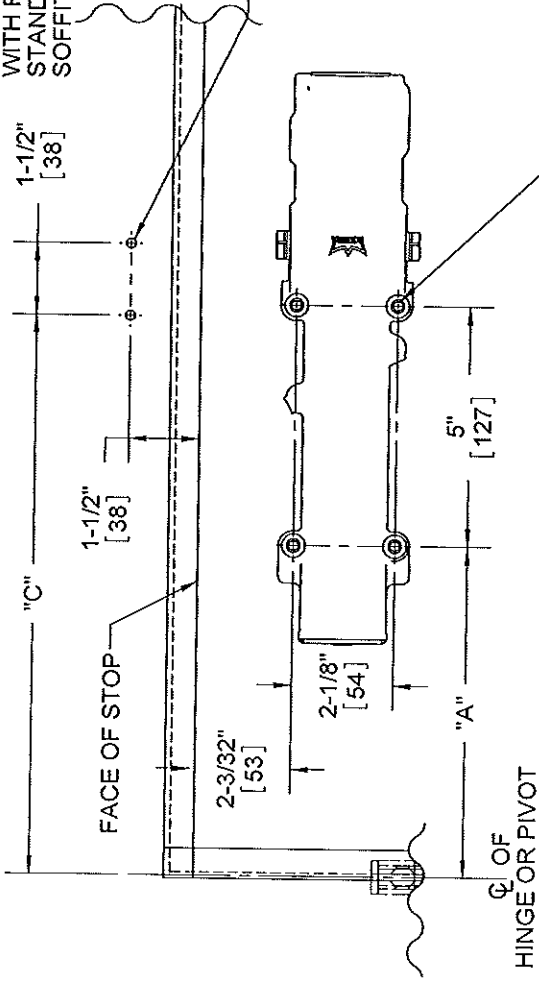
FOR 1/4 - 20 MACHINE SCREWS, USE 13/64" OR #7 DRILL & TAP  
 FOR NO. 14 WOOD SCREWS, USE 5/32" DRILL  
 FOR DPK FASTENERS, USE 1/8" DRILL  
 FOUR (4) HOLES IN FRAME ARE FOR SOFFIT PLATE



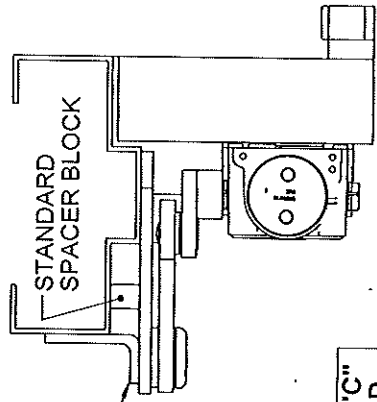
**NOTES:**

- 1) DO NOT SCALE THIS DRAWING
- 2) DIMENSIONS ARE IN INCHES/[MM]
- 3) LEFT HAND DOOR IS SHOWN
- 4) CAUTION: SEX NUTS ARE REQUIRED FOR ATTACHMENT OF COMPONENTS TO UNREINFORCED DOOR AND TO WOOD OR PLASTIC FACED COMPOSITE TYPE FIRE DOORS, UNLESS AN ALTERNATIVE METHOD IS IDENTIFIED IN THE INDIVIDUAL DOOR MANUFACTURER'S LISTINGS.
- 5) FOR FRAME WIDTHS 4-1/2" AND LESS, USE OPTIONAL NFHD BRACKET W/O STANDARD SPACER BLOCK
- 6) MINIMUM DOOR WIDTH IS 26"
- 7) OPTIONAL DPK FASTENERS (DPK89) FOR STEEL DOOR & FRAME ONLY

**\*IMPORTANT:** CHOOSE APPROPRIATE FIFTH HOLE LOCATION FOR SPACER BLOCK, IN ACCORDANCE WITH FRAME WIDTH, ONE (1) HOLE IN FRAME FOR STANDARD BLOCK. PREPARE HOLE THE SAME AS SOFFIT PLATE HOLES



FOR 1/4 - 20 MACHINE SCREWS, USE 13/64" OR #7 DRILL & TAP  
 FOR NO. 14 WOOD SCREWS, USE 5/32" DRILL  
 FOR DPK FASTENERS, USE 1/8" DRILL  
 FOR SEX NUTS, USE 3/8" DRILL  
 FOUR (4) HOLES IN DOOR ARE FOR CLOSER (SHOWN)

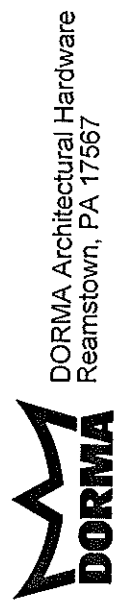


OPTIONAL NFHD BRACKET

FOR 1/4 - 20 MACHINE SCREWS, USE 13/64" OR #7 DRILL & TAP  
 FOR NO. 14 WOOD SCREWS, USE 5/32" DRILL  
 FOR DPK FASTENERS, USE 1/8" DRILL  
 OPTIONAL TWO (2) HOLES IN FRAME ARE FOR NFHD BRACKET

ANGLE OF DIM. "A" CUSHION CLOSER	DIM. "A"	DIM. "B" SOFFIT PLATE	DIM. "C" NFHD BRACKET
83° - 85°	7-3/4" [197]	11-5/8" [295]	12-1/2" [318]
88° - 90°	6-7/8" [175]	10-3/4" [273]	11-5/8" [295]
98° - 100°	5-5/8" [143]	9-1/2" [241]	10-3/8" [264]
108° - 110°	4-5/8" [117]	8-1/2" [216]	9-3/8" [238]

DOOR CLOSER MODELS: 8916 & 8956 DS  
 DOOR SAVER (PARALLEL ARM INSTALLATION)  
 FOR USE WITH STANDARD SPACER BLOCK  
 FOR USE WITH OPTIONAL NFHD BRACKET

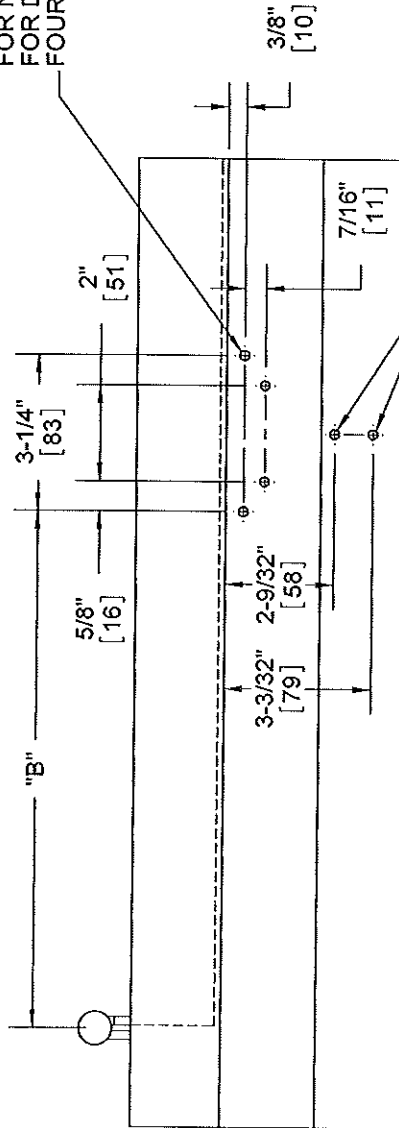


Always consult DORMA's web site for latest template at [www.dorma-usa.com](http://www.dorma-usa.com) or call 1-800-523-8483.

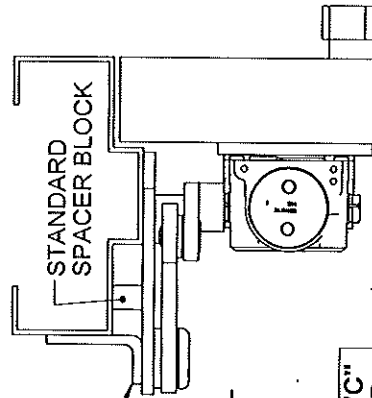
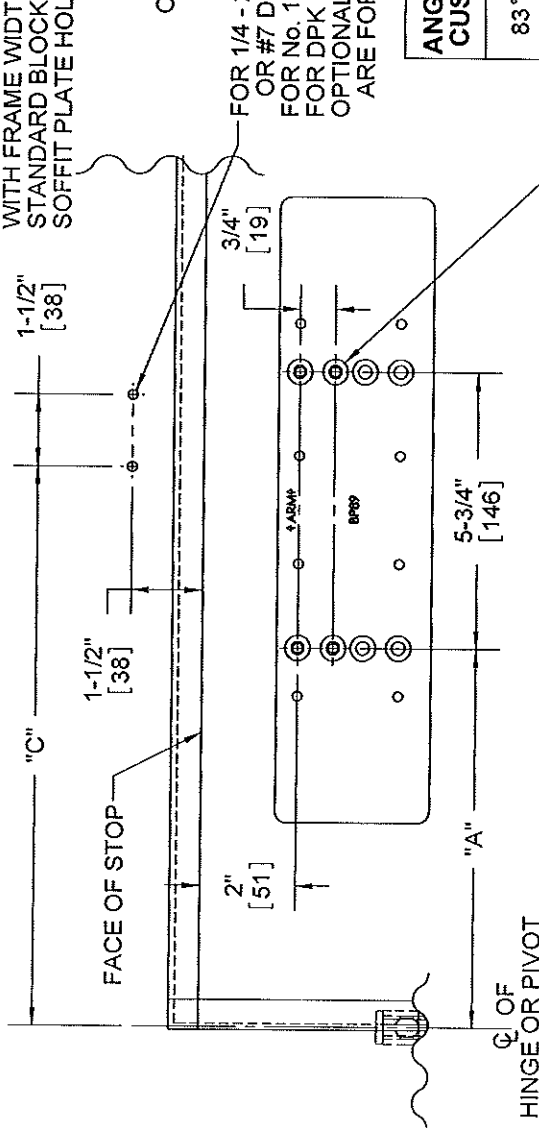
FOR 1/4 - 20 MACHINE SCREWS, USE 13/64" OR #7 DRILL & TAP  
 FOR No. 14 WOOD SCREWS, USE 5/32" DRILL  
 FOR DPK FASTENERS, USE 1/8" DRILL  
 FOUR (4) HOLES IN FRAME ARE FOR SOFFIT PLATE

**NOTES:**

- 1) DO NOT SCALE THIS DRAWING
- 2) DIMENSIONS ARE IN INCHES/[MM]
- 3) LEFT HAND DOOR IS SHOWN
- 4) CAUTION: SEX NUTS ARE REQUIRED FOR ATTACHMENT OF COMPONENTS TO UNREINFORCED DOOR AND TO WOOD OR PLASTIC FACED COMPOSITE TYPE FIRE DOORS, UNLESS AN ALTERNATIVE METHOD IS IDENTIFIED IN THE INDIVIDUAL DOOR MANUFACTURER'S LISTINGS.
- 5) FOR FRAME WIDTHS 4-1/2" AND LESS, USE OPTIONAL NFHD BRACKET W/O STANDARD SPACER BLOCK
- 6) MINIMUM DOOR WIDTH IS 26"
- 7) OPTIONAL DPK FASTENERS (DPK89) FOR STEEL DOOR & FRAME ONLY



**\*IMPORTANT:** CHOOSE APPROPRIATE FIFTH HOLE LOCATION FOR SPACER BLOCK, IN ACCORDANCE WITH FRAME WIDTH, ONE (1) HOLE IN FRAME FOR STANDARD BLOCK. PREPARE HOLE THE SAME AS SOFFIT PLATE HOLES



OPTIONAL NFHD BRACKET

FOR 1/4 - 20 MACHINE SCREWS, USE 13/64" OR #7 DRILL & TAP  
 FOR No. 14 WOOD SCREWS, USE 5/32" DRILL  
 FOR DPK FASTENERS, USE 1/8" DRILL  
 OPTIONAL TWO (2) HOLES IN FRAME ARE FOR NFHD BRACKET

ANGLE OF CUSHION	DIM. "A" DROP PLATE	DIM. "B" SOFFIT PLATE	DIM. "C" NFHD BRACKET
83° - 85°	8-3/4" [222]	11-5/8" [295]	12-1/2" [318]
88° - 90°	7-7/8" [200]	10-3/4" [273]	11-5/8" [295]
98° - 100°	6-5/8" [168]	9-1/2" [241]	10-3/8" [264]
108° - 110°	5-5/8" [143]	8-1/2" [216]	9-3/8" [238]

FOR 1/4 - 20 MACHINE SCREWS, USE 13/64" OR #7 DRILL & TAP  
 FOR No. 14 WOOD SCREWS, USE 5/32" DRILL  
 FOR DPK FASTENERS, USE 1/8" DRILL  
 FOR SEX NUTS, USE 3/8" DRILL  
 FOUR (4) HOLES IN DOOR ARE FOR DROP PLATE (SHOWN)

DOOR CLOSER MODELS: 8916 & 8956 DS  
 DOOR SAVER (PARALLEL ARM INSTALLATION) WITH BACK PLATE BP89  
 FOR USE WITH STANDARD SPACER BLOCK  
 FOR USE WITH OPTIONAL NFHD BRACKET



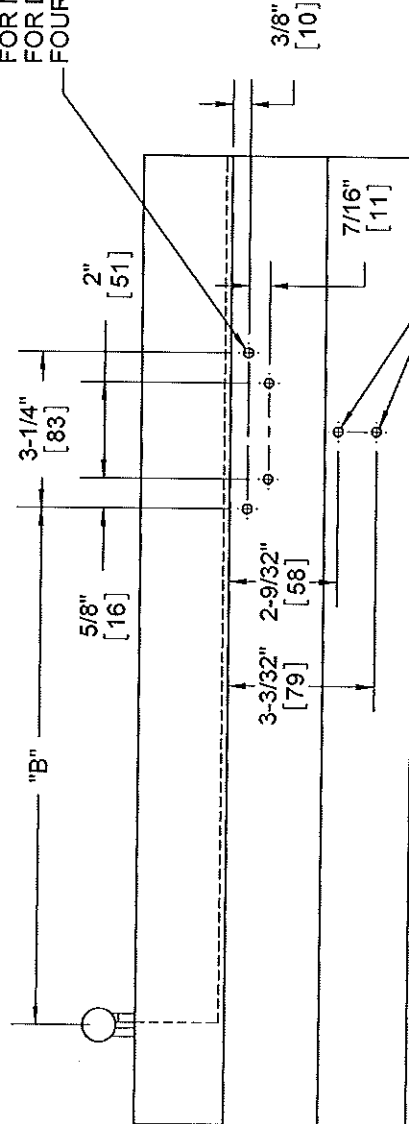
DORMA Architectural Hardware  
 Reamstown, PA 17567

Always consult DORMA's web site for latest template at [www.dorma-usa.com](http://www.dorma-usa.com) or call 1-800-523-8483.

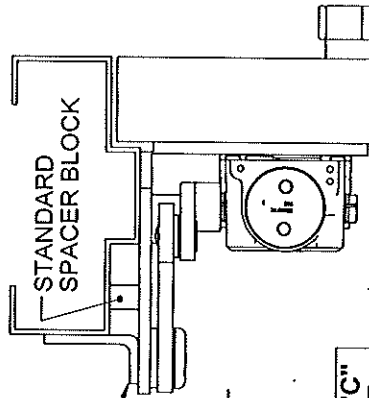
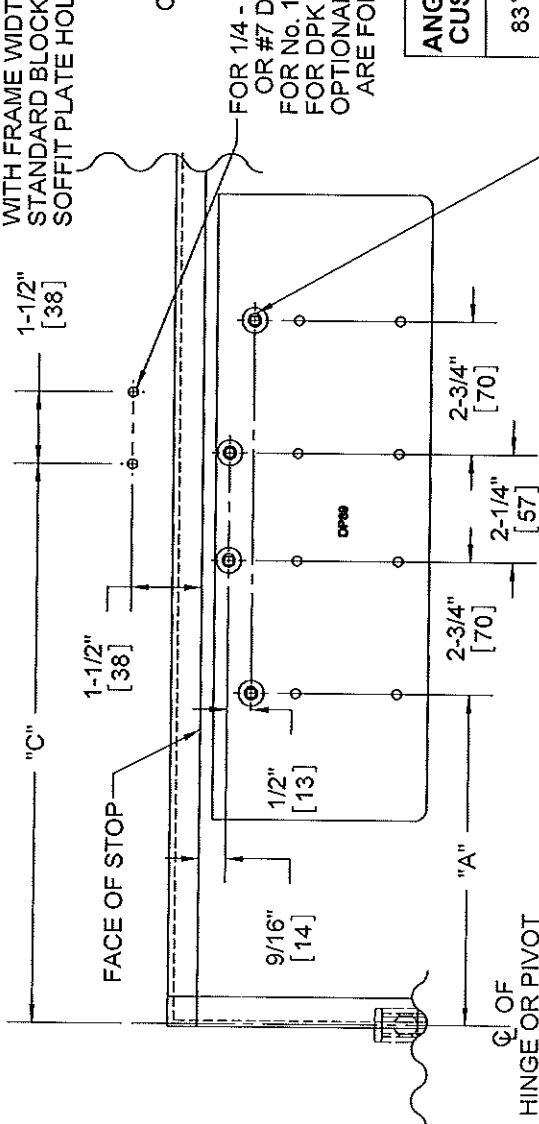
FOR 1/4" - 20 MACHINE SCREWS, USE 13/64" OR #7 DRILL & TAP  
 FOR No. 14 WOOD SCREWS, USE 5/32" DRILL  
 FOR DPK FASTENERS, USE 1/8" DRILL  
 FOUR (4) HOLES IN FRAME ARE FOR SOFFIT PLATE

**NOTES:**

- 1) DO NOT SCALE THIS DRAWING
- 2) DIMENSIONS ARE IN INCHES/[MM]
- 3) LEFT HAND DOOR IS SHOWN
- 4) CAUTION: SEX NUTS ARE REQUIRED FOR ATTACHMENT OF COMPONENTS TO UNREINFORCED DOOR AND TO WOOD OR PLASTIC FACED COMPOSITE TYPE FIRE DOORS, UNLESS AN ALTERNATIVE METHOD IS IDENTIFIED IN THE INDIVIDUAL DOOR MANUFACTURER'S LISTINGS.
- 5) FOR FRAME WIDTHS 4-1/2" AND LESS, USE OPTIONAL NFHD BRACKET W/O STANDARD SPACER BLOCK
- 6) MINIMUM DOOR WIDTH IS 26"
- 7) OPTIONAL DPK FASTENERS (DPK89) FOR STEEL DOOR & FRAME ONLY



**\*IMPORTANT:** CHOOSE APPROPRIATE FIFTH HOLE LOCATION FOR SPACER BLOCK, IN ACCORDANCE WITH FRAME WIDTH, ONE (1) HOLE IN FRAME FOR STANDARD BLOCK. PREPARE HOLE THE SAME AS SOFFIT PLATE HOLES



OPTIONAL NFHD BRACKET

FOR 1/4" - 20 MACHINE SCREWS, USE 13/64" OR #7 DRILL & TAP  
 FOR No. 14 WOOD SCREWS, USE 5/32" DRILL  
 FOR DPK FASTENERS, USE 1/8" DRILL  
 OPTIONAL TWO (2) HOLES IN FRAME ARE FOR NFHD BRACKET

ANGLE OF CUSHION	DIM. "A" DROP PLATE	DIM. "B" SOFFIT PLATE	DIM. "C" NFHD BRACKET
83° - 85°	7-3/4" [197]	11-5/8" [295]	12-1/2" [318]
88° - 90°	6-7/8" [175]	10-3/4" [273]	11-5/8" [295]
98° - 100°	5-5/8" [143]	9-1/2" [241]	10-3/8" [264]
108° - 110°	4-5/8" [117]	8-1/2" [216]	9-3/8" [238]

FOR 1/4" - 20 MACHINE SCREWS, USE 13/64" OR #7 DRILL & TAP  
 FOR No. 14 WOOD SCREWS, USE 5/32" DRILL  
 FOR DPK FASTENERS, USE 1/8" DRILL  
 FOR SEX NUTS, USE 3/8" DRILL  
 FOUR (4) HOLES IN DOOR ARE FOR DROP PLATE (SHOWN)

DOOR CLOSER MODELS: 8916 & 8956 DS  
 DOOR SAVER (PARALLEL ARM INSTALLATION) WITH DROP PLATE DP89  
 FOR USE WITH STANDARD SPACER BLOCK  
 FOR USE WITH OPTIONAL NFHD BRACKET



DORMA Architectural Hardware  
 Reamstown, PA 17567