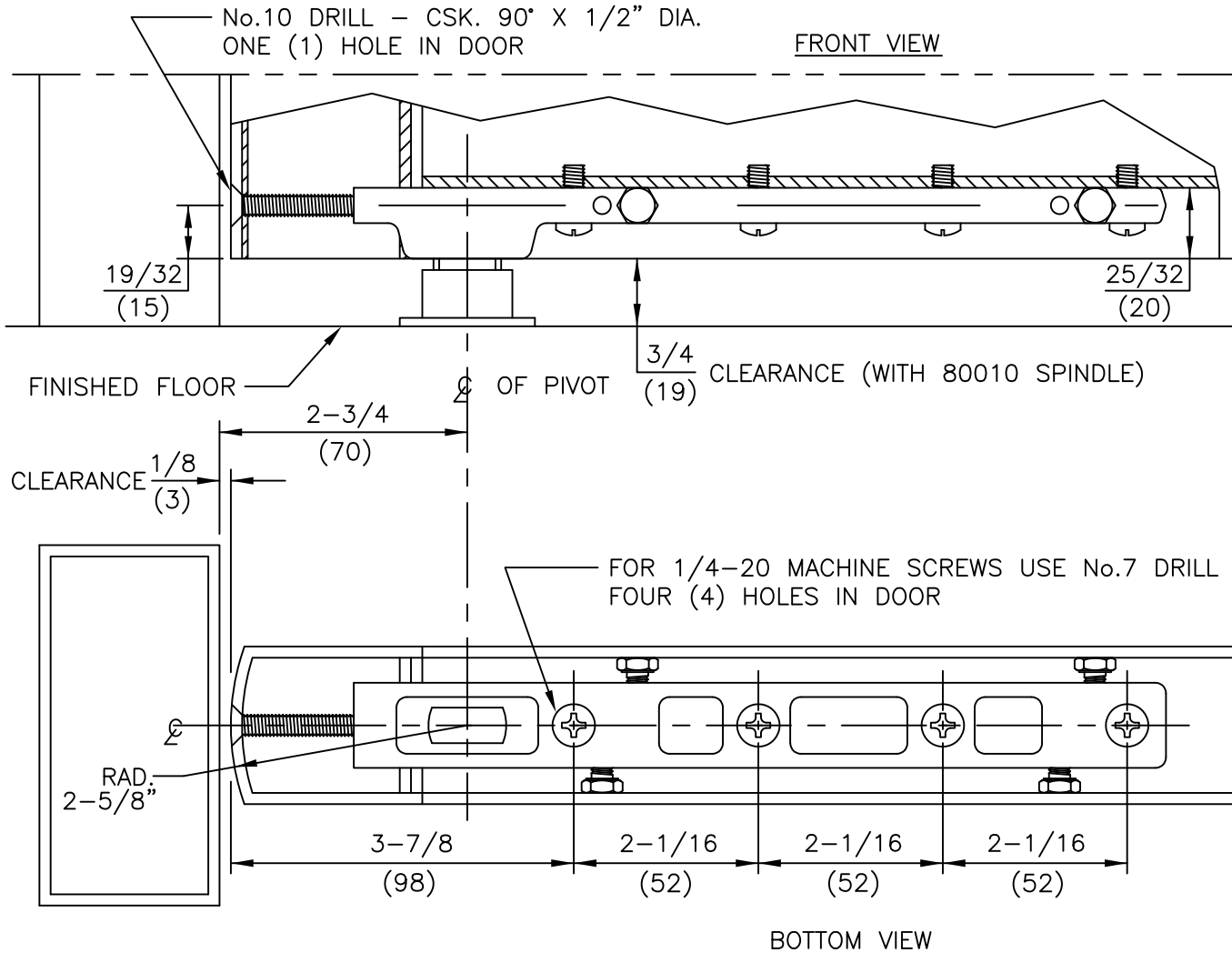


SPINDLE NO.	CLEARANCE
80003	5/16"
80005	1/2"
80007	5/8"
(STD.)80010	3/4"
80012	13/16"
80015	7/8"
80020	1-1/8"
80025	1-5/16"
80030	1-1/2"
80035	1-11/16"
80040	1-7/8"
80045	2-1/16"
80050	2-5/16"

- NOTES
- DO NOT SCALE DRAWING.
 - TOP OF CEMENT CASE MUST BE FLUSH WITH FINISH FLOOR LINE.
 - CEMENT CASE MUST BE LEVEL AND PARALLEL TO FRAME.
 - INSTALL CEMENT CASE WITH CLOSER CENTERED IN CASE.
 - 1/2" RIGID CONDUIT BY OTHERS.
 - CHART VALID ONLY IF CORRESPONDING DOOR PORTION IS INSTALLED PER TEMPLATE.

THRESHOLD
 W/80010 SPINDLE



NOTES

1. DO NOT SCALE DRAWING.
2. DIMENSIONS ARE IN INCHES/(MM).
3. ALL NECESSARY REINFORCEMENT FOR ARM BY OTHERS.

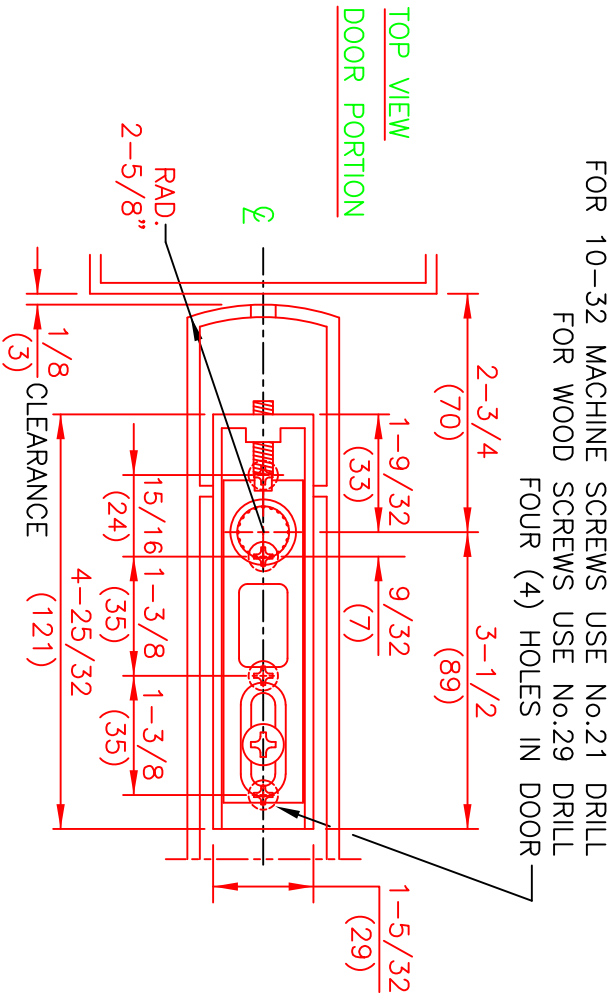
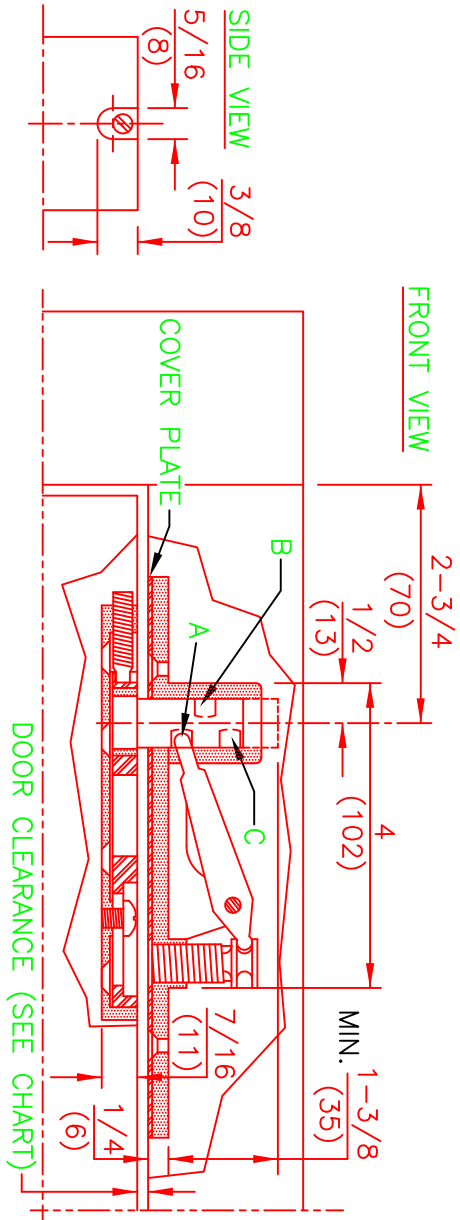
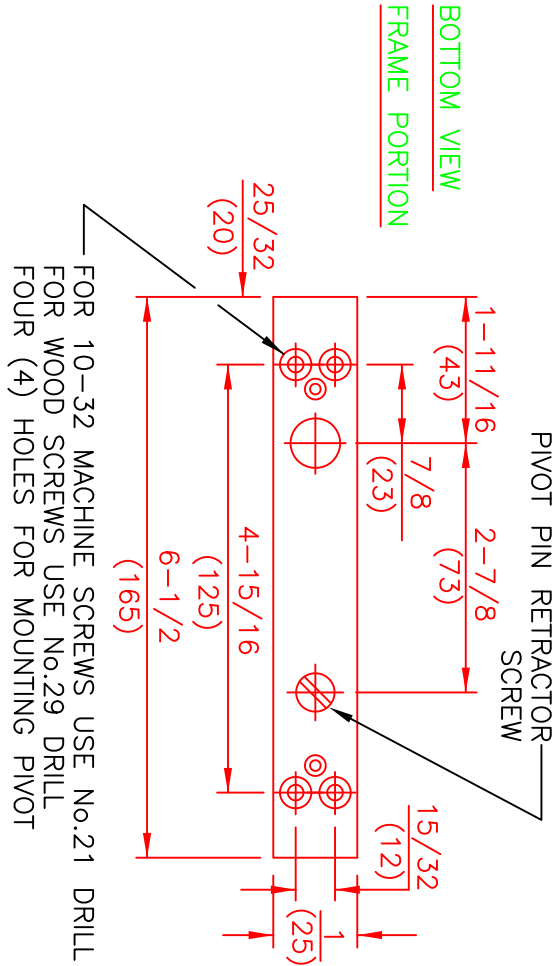
ITEM NO. 7422
 CENTER HUNG BOTTOM ARM
 FOR USE WITH BTS 75, BTS 80, BTS 80EMB



dormakaba USA, INC.
 800 523 8483

- NOTES**
1. DO NOT SCALE DRAWING.
 2. DIMENSIONS ARE IN INCHES/(MM).
 3. ALL NECESSARY REINFORCING FOR PIVOTS BY OTHERS.
 4. PIVOT PIN DIAMETER .591/(15MM).
 5. PIVOT PIN PROJECTION IS ADJUSTABLE. SEE CHART FOR DOOR CLEARANCES.

		DOOR CLEARANCE	
POSITION	STANDARD PIN	EXTENDED PIN	
A	1/8" (3)	3/4" (19)	
B	3/8" (10)	1" (25)	
C	3/4" (19)	1-5/16" (33)	



MODEL NO. 8062, 8062 EXT PIN
CENTER HUNG TOP PIVOT
FOR USE WITH BTS 75, BTS 80, BTS 80EMB