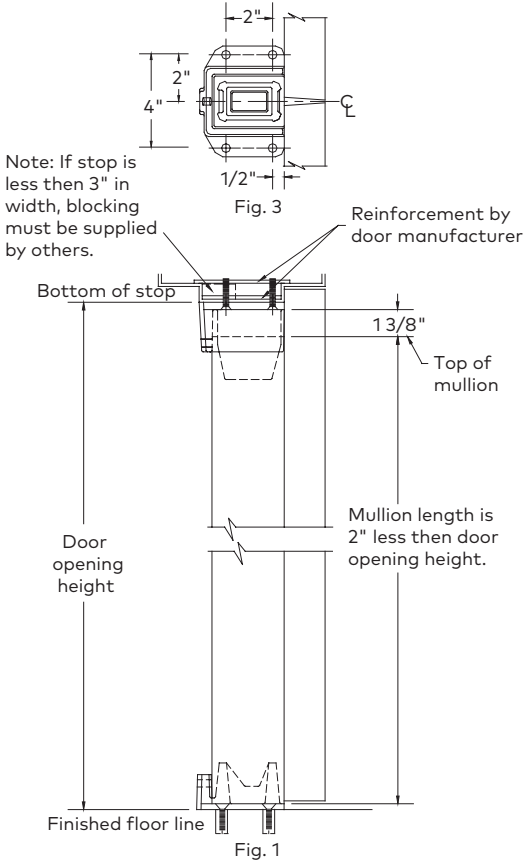


# Installation Instructions

## F1300 Fire Rated Mullion



**Step 1:** Measure door opening from finished floor to bottom of stop at centerline of doors. (See Fig. 1) Subtract 2" from this dimension for mullion length. Measure and cut mullion from opposite end marked "Do not cut".

**Step 2:** Use bottom fitting as template; Mark and drill (2) 3/8" dia. x 2-1/2" deep holes. Insert (2) 3/8"-16 x 3" stud anchors, and secure bottom fitting with (2) washers and (2) 3-8"-16 nuts provided with anchors.

**Step 3:** Use top fitting as template; Mark and drill (4) .257 dia. holes and tap for (4) 5/16"-18 thread. Install top fitting and secure with (4) 5/16"-18 x 1-1/2" F.H.P.M.S.

**Step 4:** Insert mullion upward into top fitting, tilt slightly, pushing upward slide bottom of mullion over bottom fitting and allowing it to settle over fitting.

**Step 5:** Secure mullion in place by tightening the (2) set screws in the top and bottom fittings.

**Step 6:** Mount mullion stabilizers as shown in Fig. 4 below. Drill (8) .180 dia. holes and tap for 12-24 thread. Secure using (8) 12-24 x 3/4" R.H.P.M.S.

**Step 7:** Install exit device and strike using template and instructions packaged in carton.

