

Automatic Sliding Door Operator Drawings

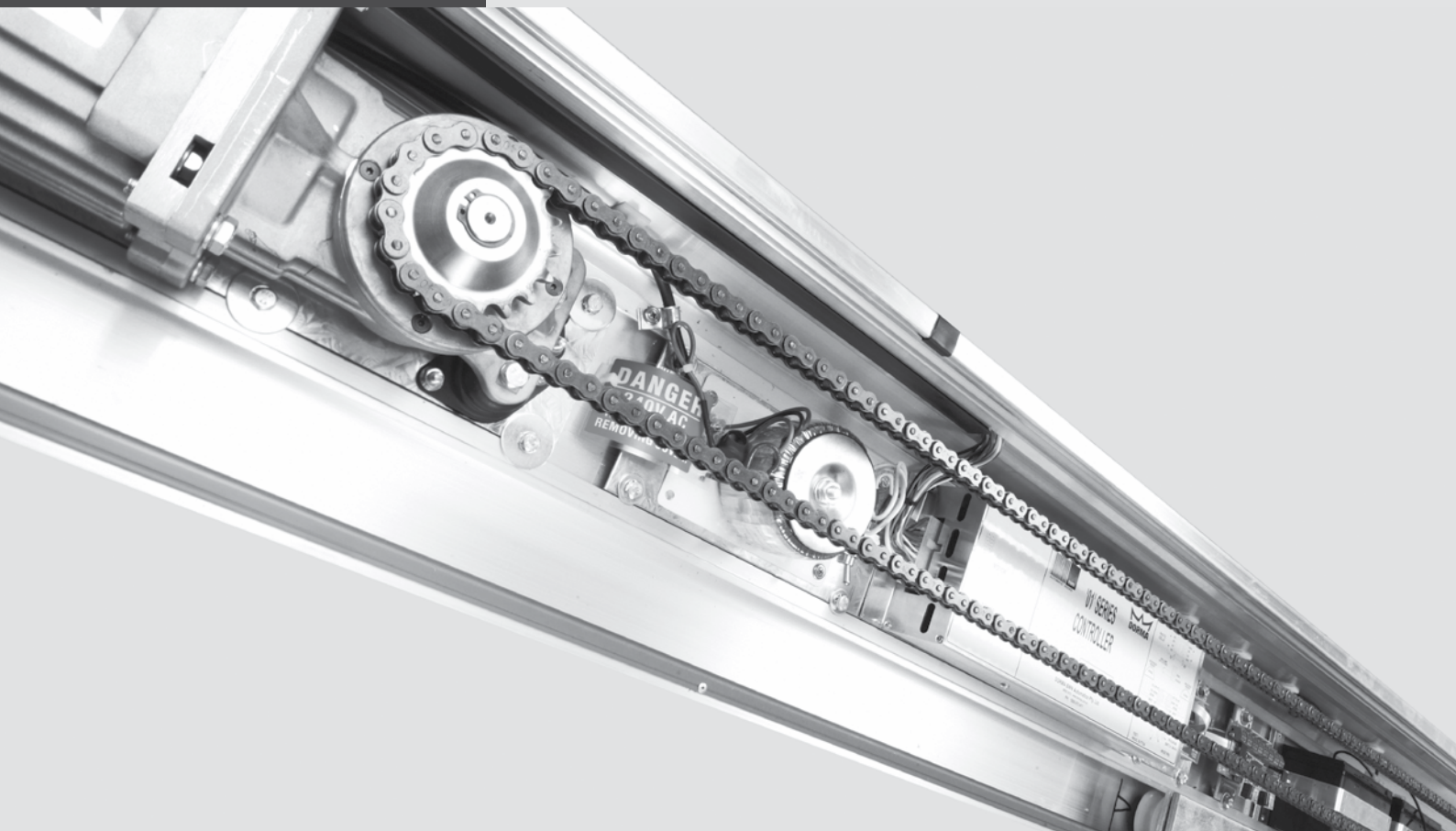
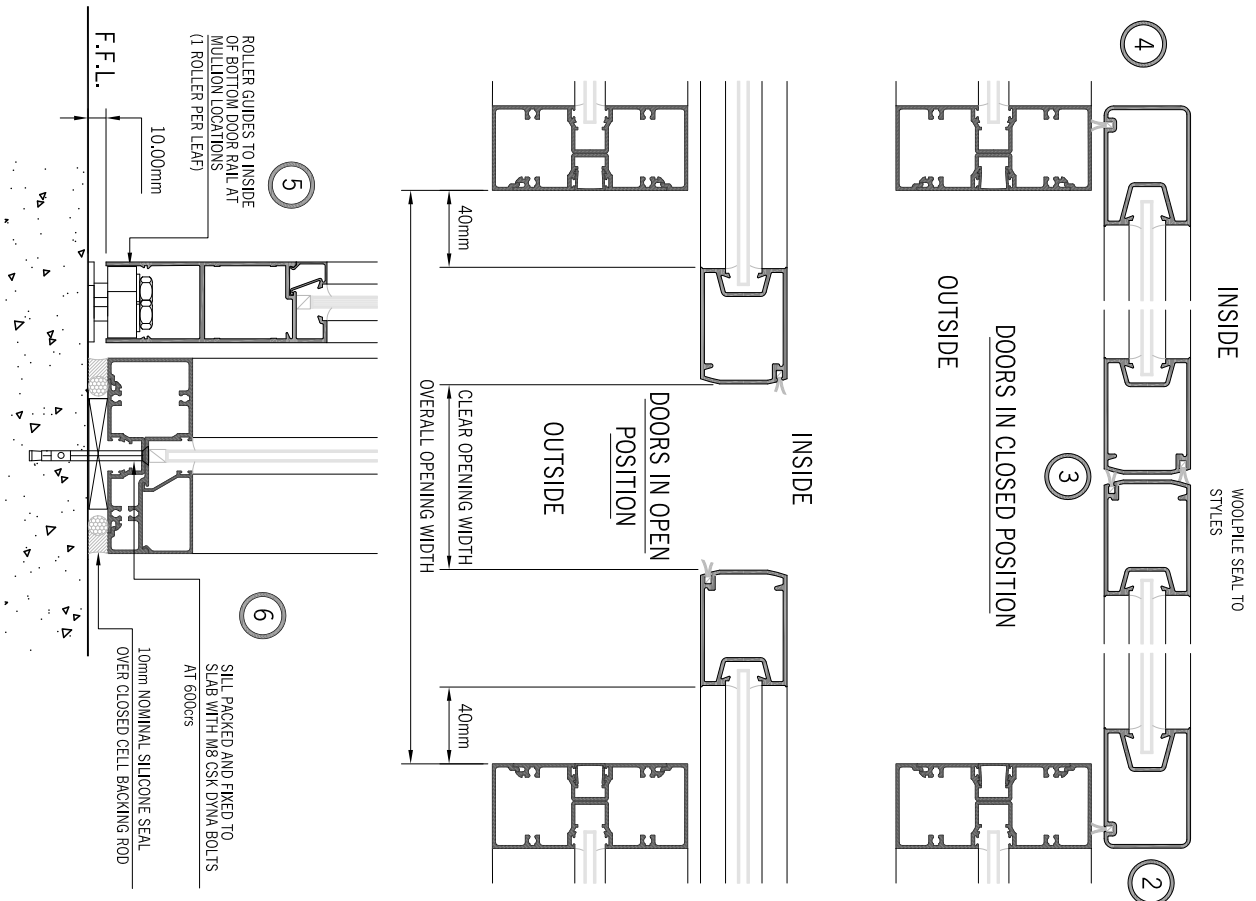
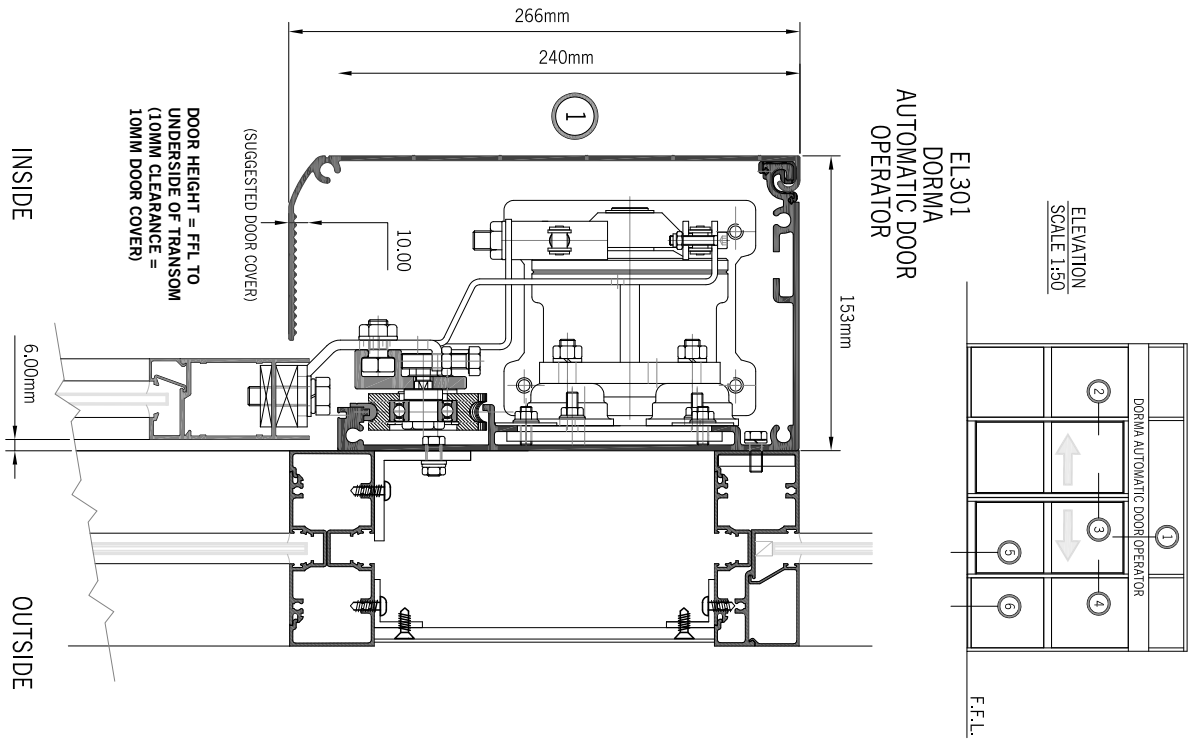


Table of contents

Product	Drawing number	Page
EL 301		
Aluminium frame shopfront	1A201107	4
Aluminium door SA1	10201070	5
Aluminium door SA2	1A201084	6
Frameless glass door 12mm	1A201086	7
Frameless glass door 15mm	1B201087	8
Frameless glass door 19mm	92031210	9
Frameless with top & bottom rail	10201201	10
Telescopic aluminium frame door (TS 301)	10701030	11
Telescopic frameless with top and bottom rail	10701031	12
Telescopic frameless with top rail K-TYPE (TS 301)	10701032	13
Compact profile aluminium door SA1	10501032	14
Compact profile aluminium door SA2	10501037	15
Compact profile frameless glass door 12mm	10501031	16
Compact profile frameless glass door 15mm	10501034	17
Slimline frame system SA1	10201100	18
Slimline frame system SA2	10201096	19
Slimline frame system plan view	10201102	20
Timber door SA1	92031517	21
HD 200		
Aluminium door SA1	10601000	22
Aluminium door SA2	10601001	23
Frameless glass door 12mm	10601002	24
Telescopic aluminium frame door (TS 200)	20801000	25
Telescopic frameless with top and bottom rail	20801003	26
Telescopic frameless with top rail K-TYPE	20801009	27
Slimline frame system SA1	10601005	28
Slimline frame system SA2	10601006	29
AL 401		
Aluminium door SA1	10101075	30
Frameless glass door 12mm	1A101076	31
Frameless glass door 15mm	1B101078	32
Frameless glass door 19mm	1B101077	33
AL 501		
Aluminium door SA2	50301002	34
Frameless glass door 19mm	50301000	35
Frameless glass door 25mm	50301001	36
Floor Guides		
Type A: Standard to suit aluminium door frame	B08013001	37
Type C: Telescopic to suit aluminium door frame	B08013015	38
Type F: Nylon 12mm for frameless glass door	A08013012	39
Type H: Frameless glass door with bottom rail	B08003023	40
Installation details		41
Door Height Calculations		42
Aluminium frame door fittings and adjustments		43
Frameless glass fittings and adjustments		44
Frameless glass hole detail (TIB 40)		45
DORMA CDS 43S top rail glass preparation		46
Standard floor guide fittings and adjustments		47
Access requirements for above ceiling mounting		48

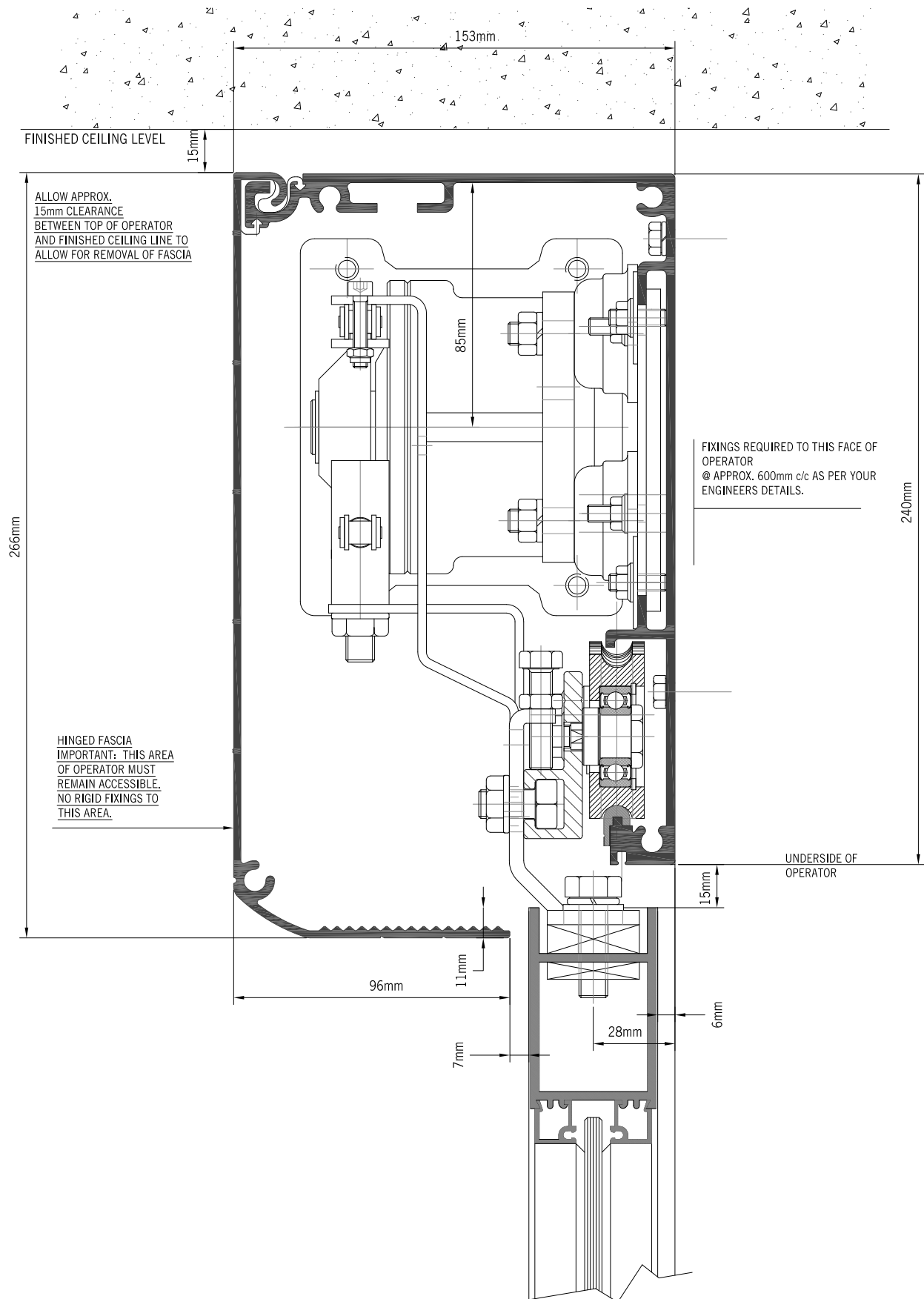
EL 301

Aluminium frame shopfront (1A201107)



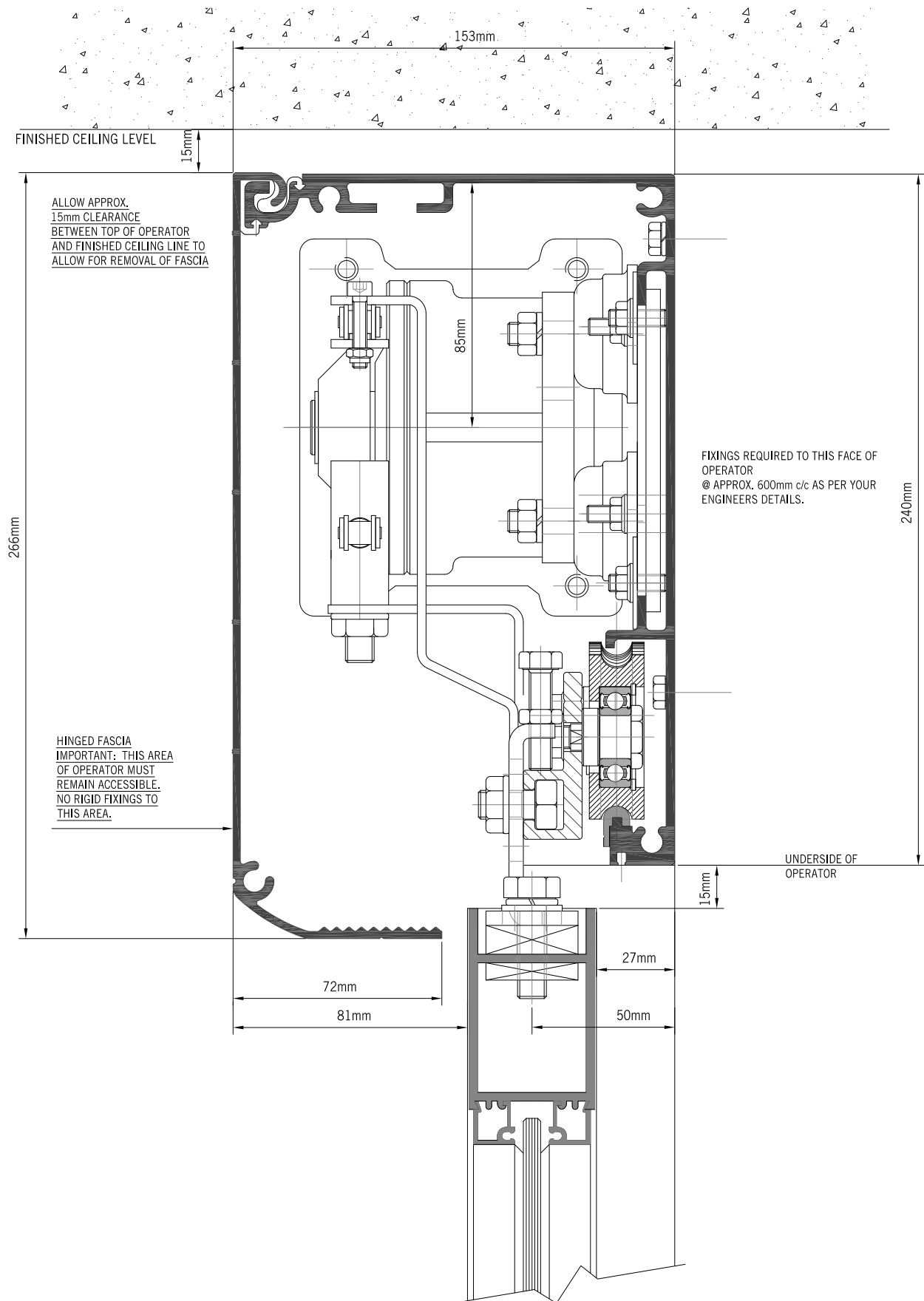
EL 301

Aluminium door SA1 (10201070)



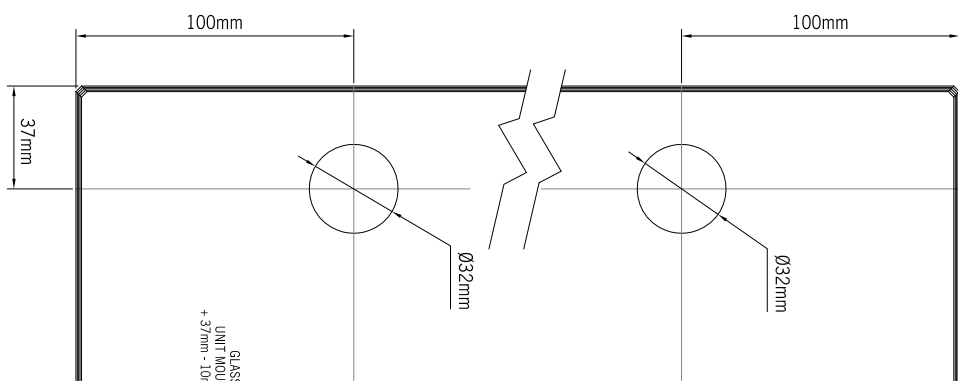
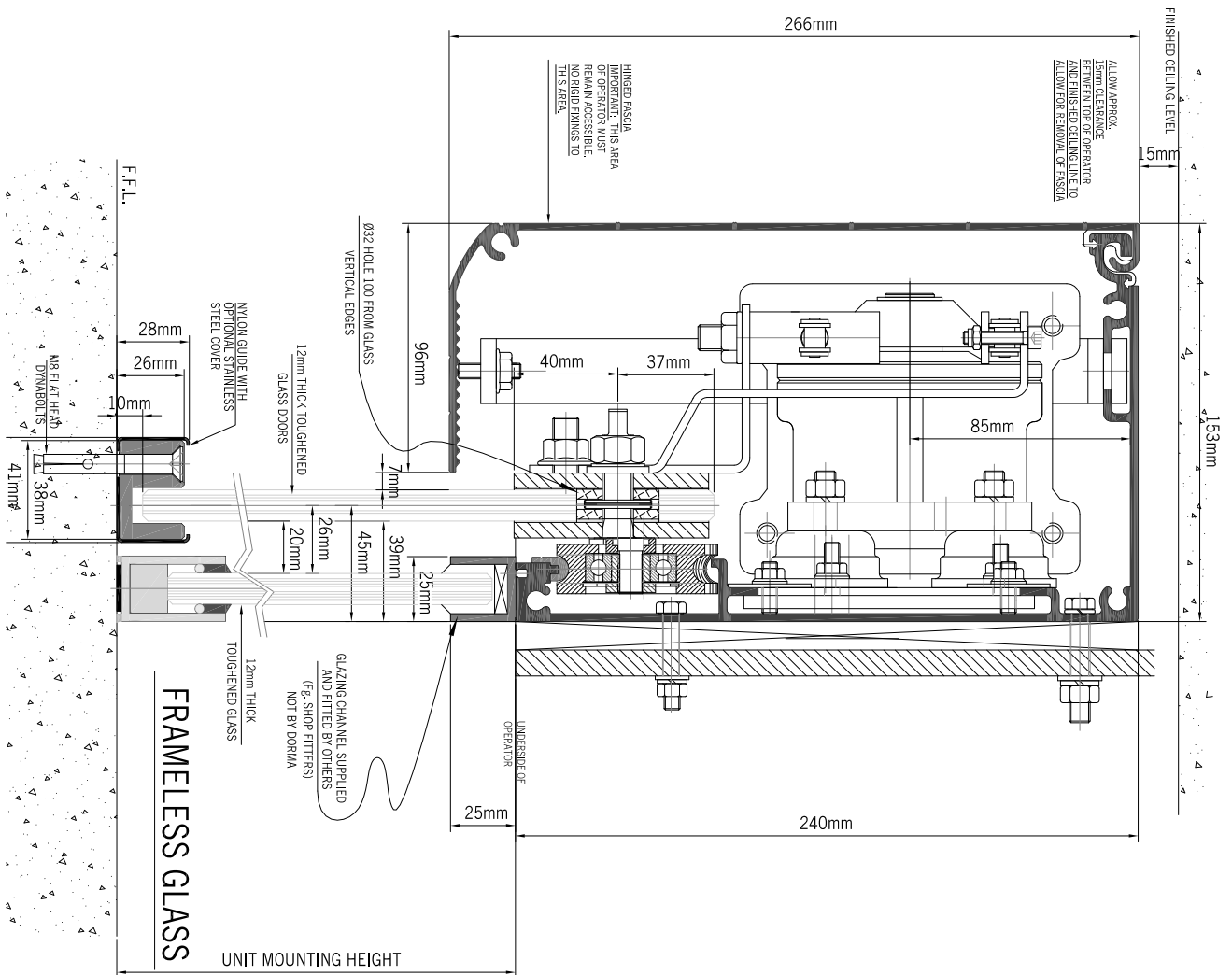
EL 301

Aluminium door SA2 (1A201084)



EL 301

Frameless glass door 12mm (1A201086)

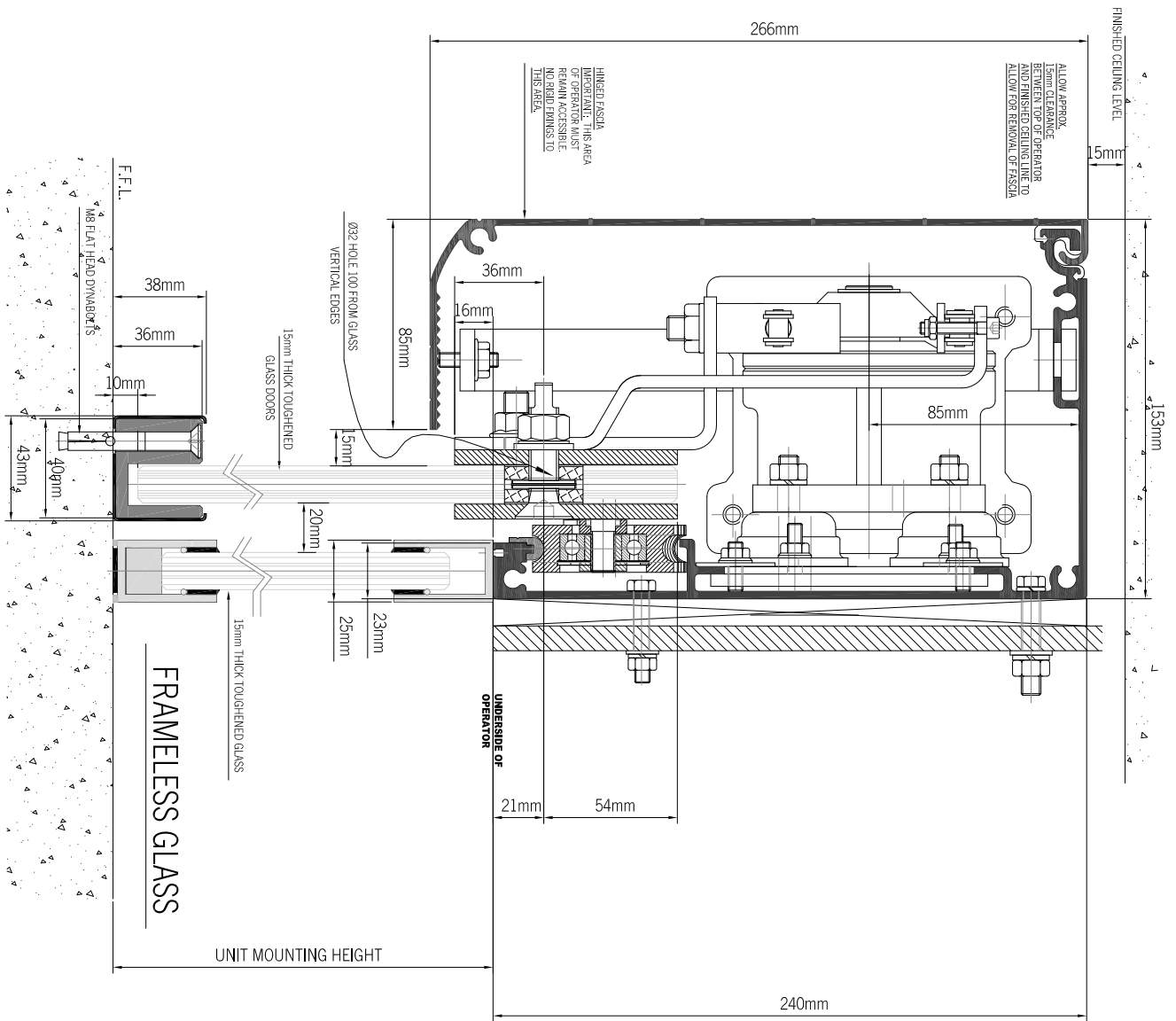


10 & 12 mm Thick Glass Door Hole Detail

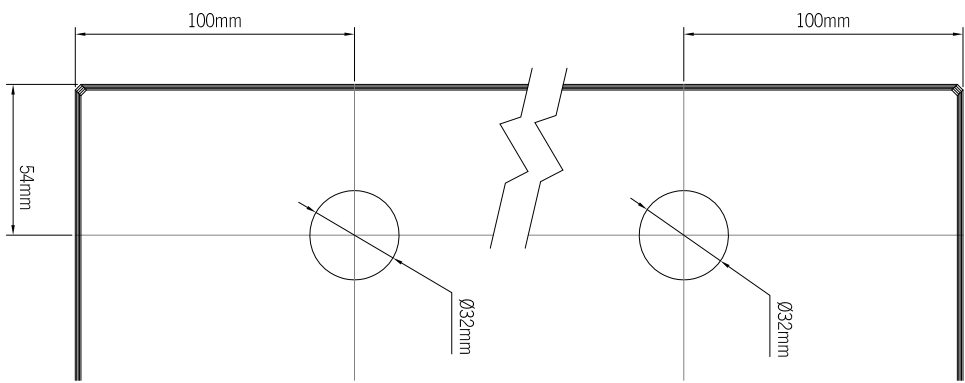
PLEASE NOTE:-
 Extra holes required in glass for:
 Any frameless door leaf 1300mm or wider will also require an extra frameless bogle as per TTB40
 Extra holes required in glass for:
 Any frameless door leaf 1800mm or wider will also require two hanger bar sets as per TTB40(Addendum)

EL 301

Frameless glass door 15mm (1B201087)



PLEASE NOTE:-
 Extra holes required in glass for:
 Any frameless door leaf 1300mm or wider will also require an extra frameless bogle as per T1B40
 Extra holes required in glass for:
 Any frameless door leaf 1800mm or wider will also require two hanger bar sets as per T1B40(Addendum)

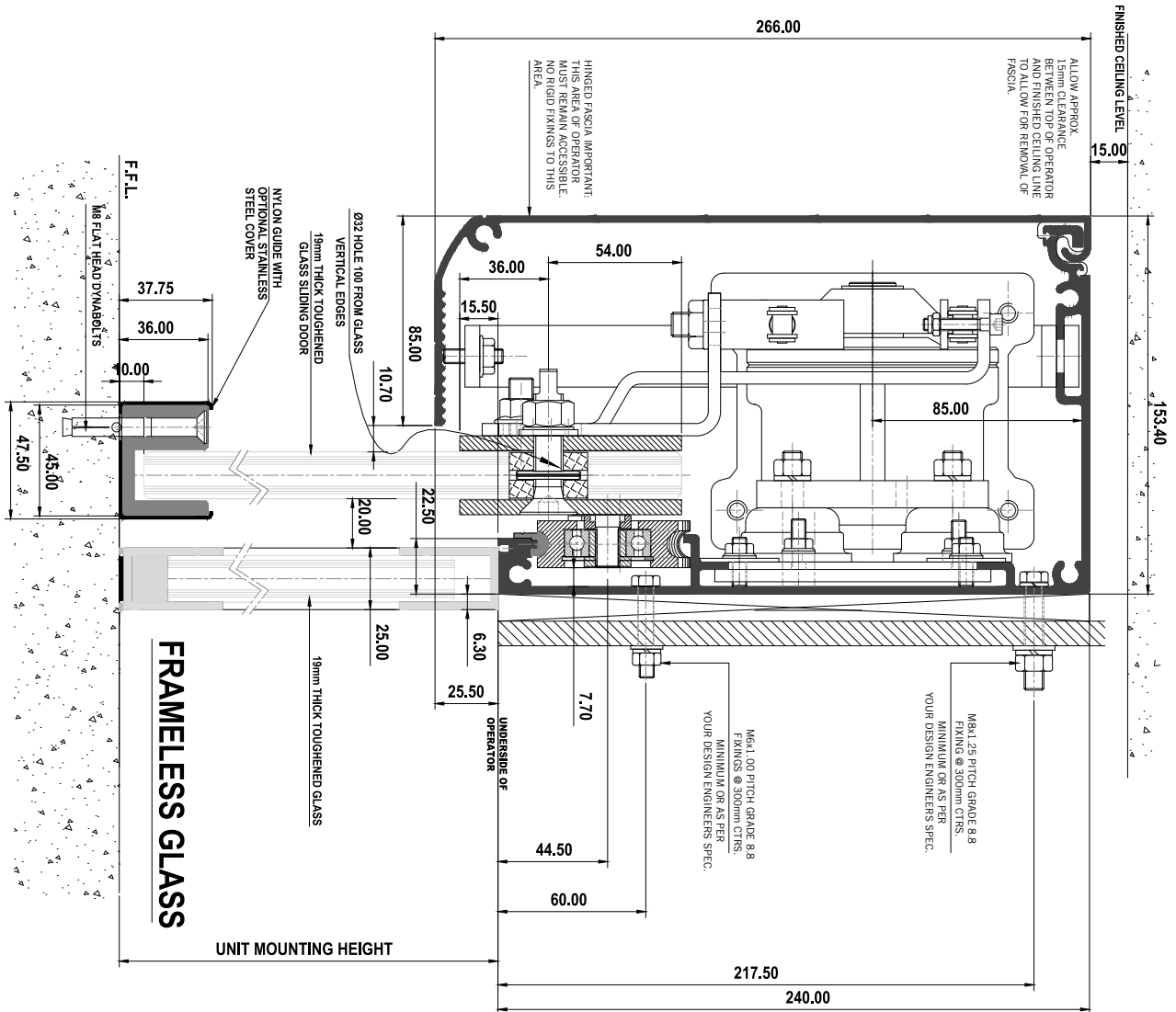


15 mm Thick Glass Door Hole Detail

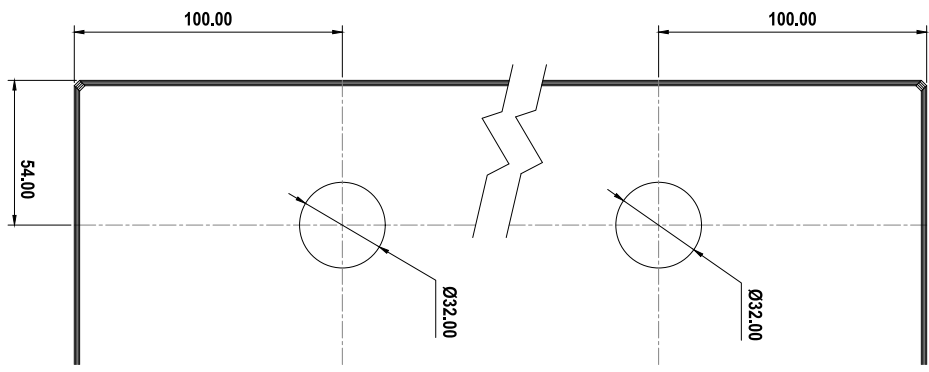
GLASS DOOR HEIGHT = UNIT MOUNTING HEIGHT + 75mm - 10mm (FLOOR CLEARANCE) = GLASS HEIGHT

EL 301

Frameless glass door 19mm (92031210)



PLEASE NOTE:-
 Extra holes required in glass for:
 Any frameless door leaf 1300mm or wider will also require an extra frameless bogie as per T1940
 Extra holes required in glass for:
 Any frameless door leaf 1800mm or wider will also require two hanger bar sets as per T1940(Addendum)

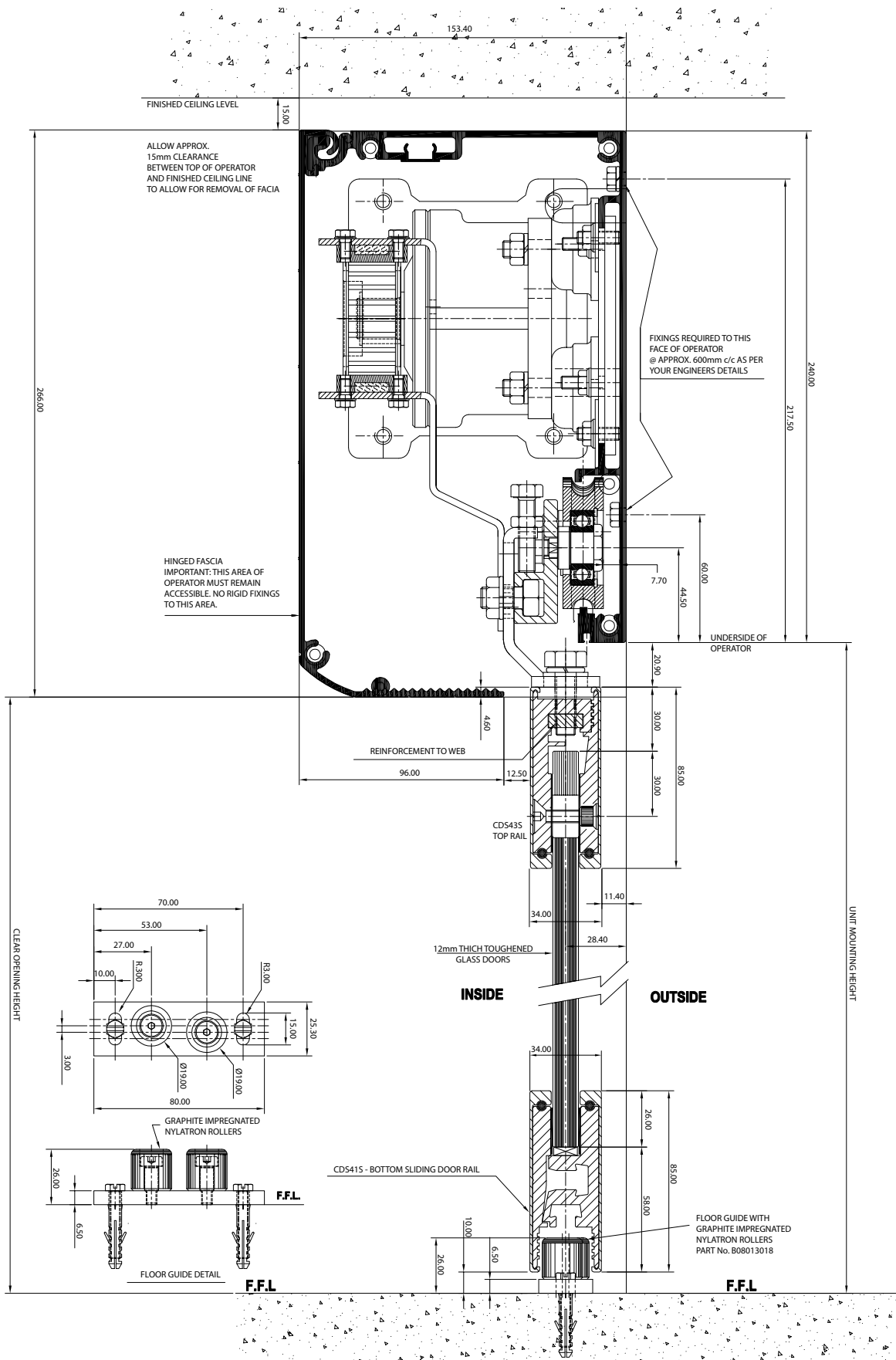


19 mm Thick Glass Door Hole Detail

GLASS DOOR HEIGHT = UNIT MOUNTING HEIGHT + 74.50mm - 10.00mm (FLOOR CLEARANCE) = GLASS HEIGHT

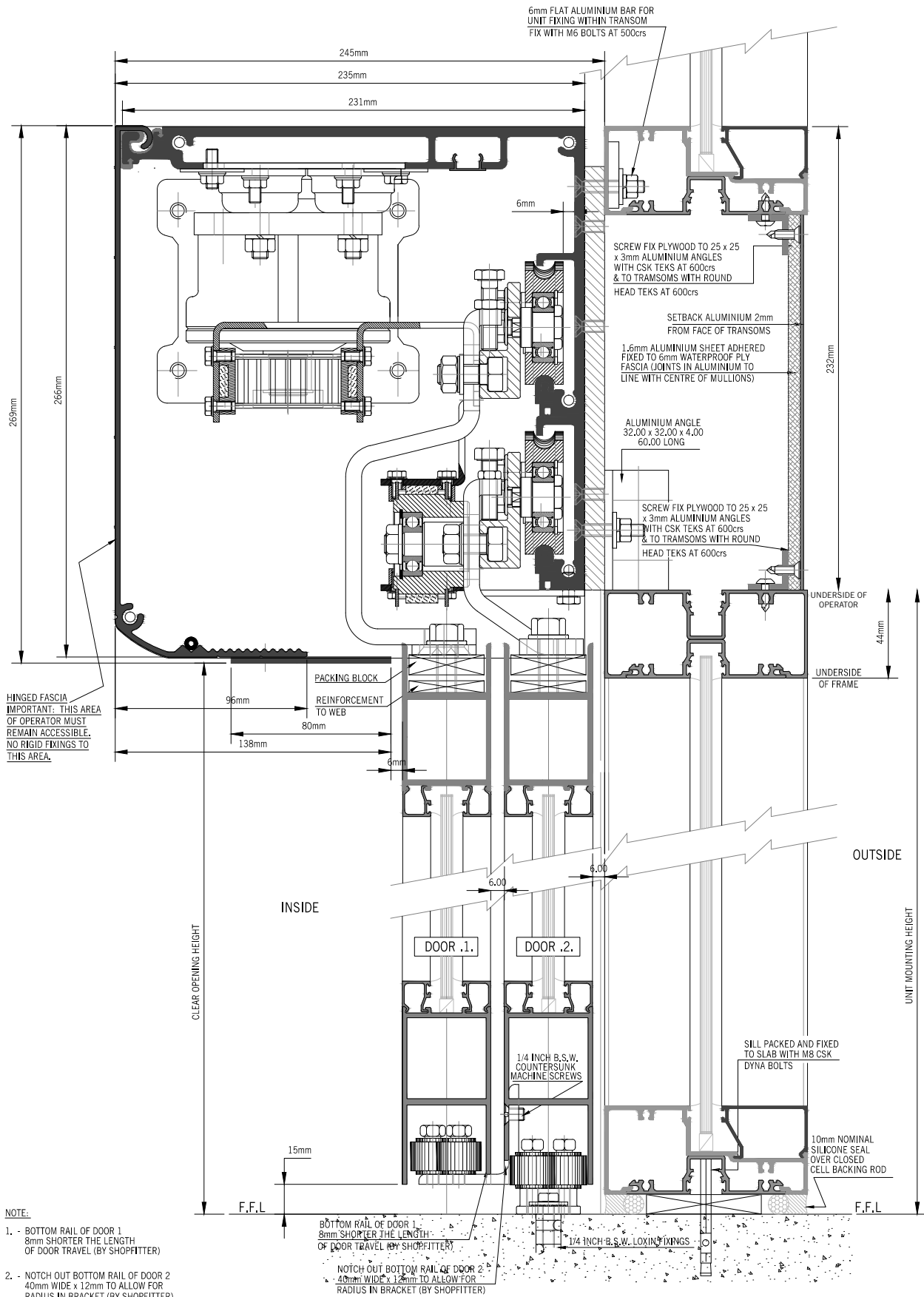
EL 301

Frameless with top & bottom rail (10201201)



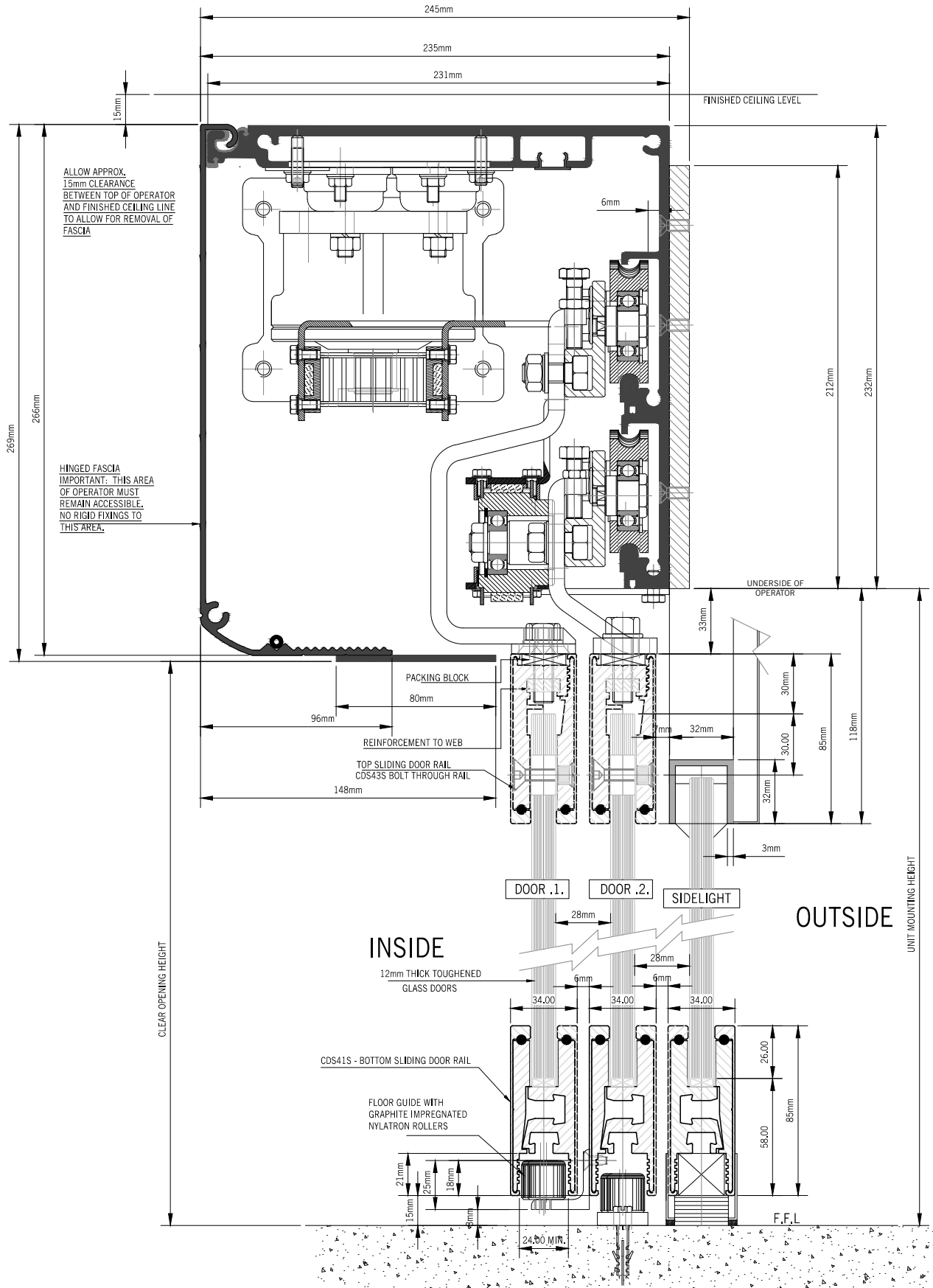
EL 301

Telescopic aluminium frame door (10701030)



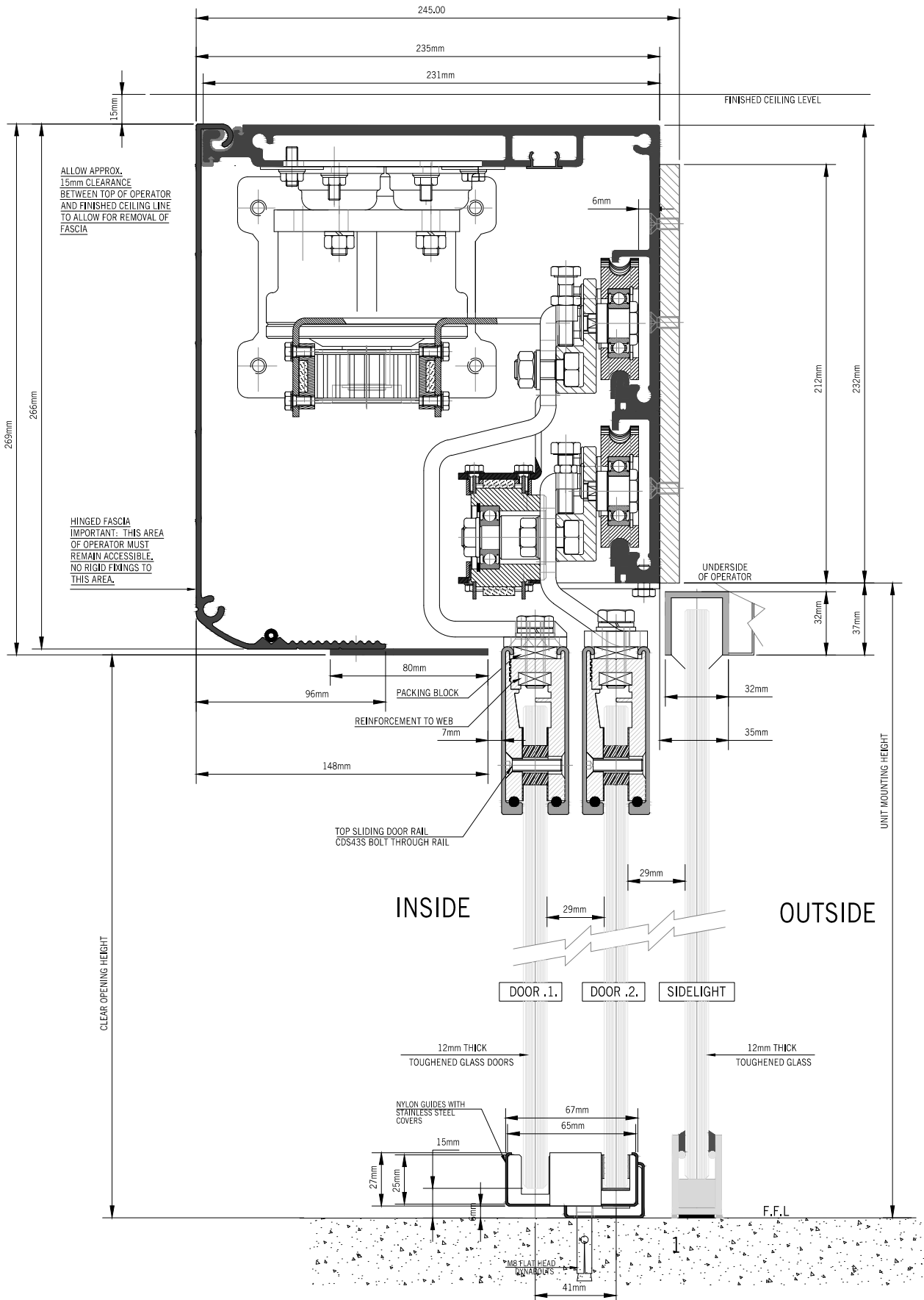
EL 301

Telescopic frameless with top and bottom rail (10701031)



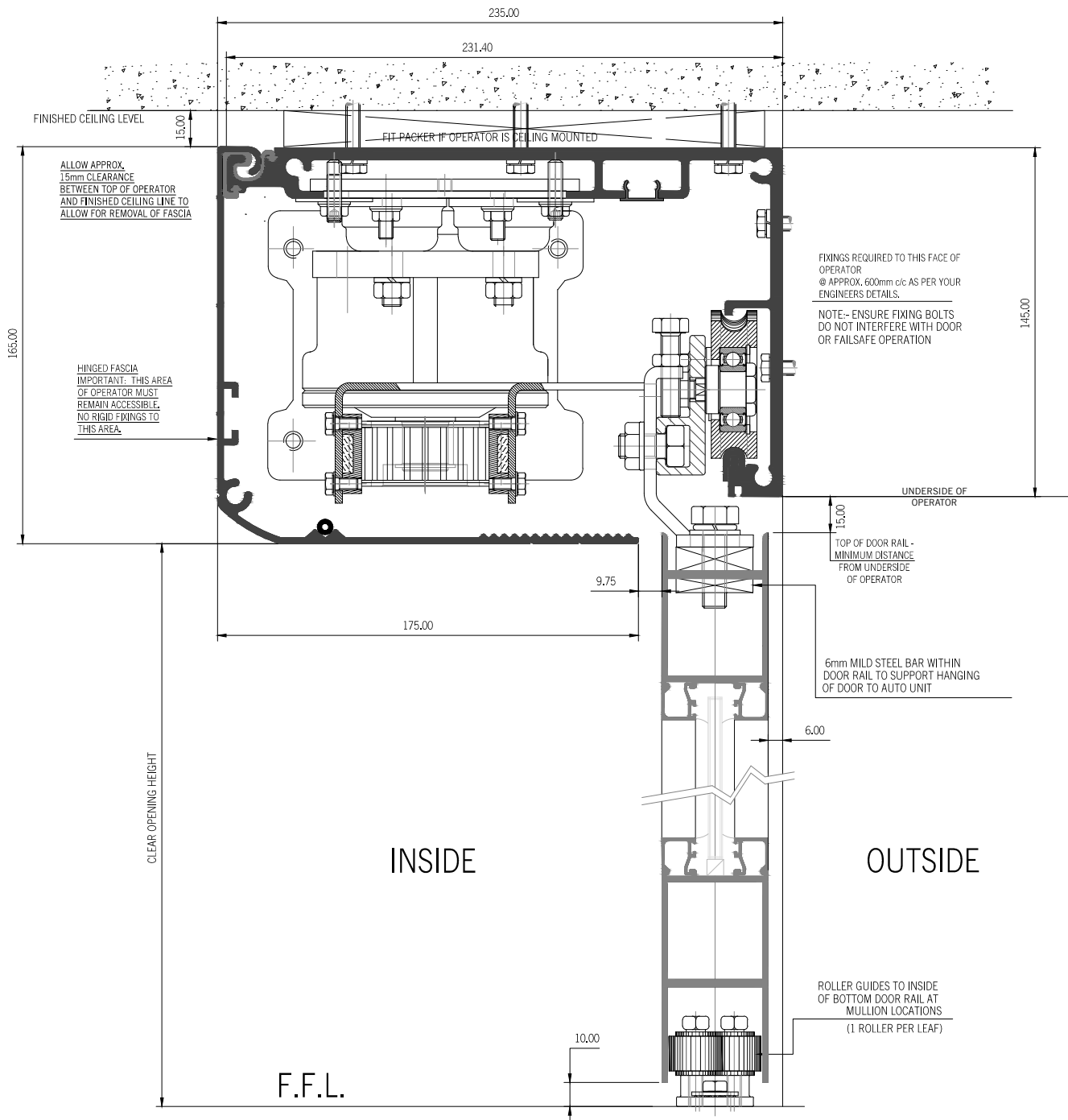
EL 301

Telescopic frameless with top rails (10701032)



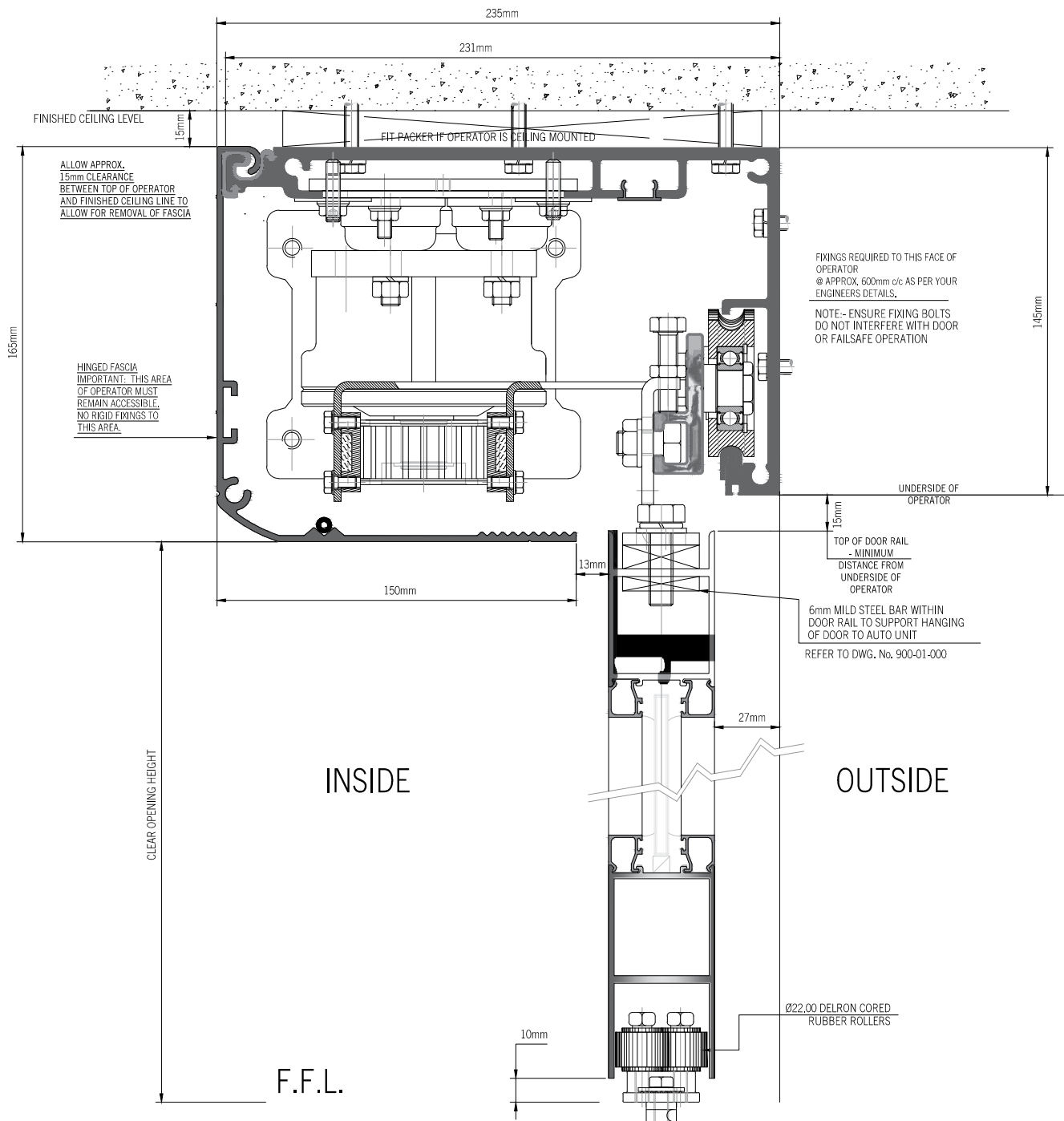
EL 301

Compact profile aluminium door SA1 (10501032)



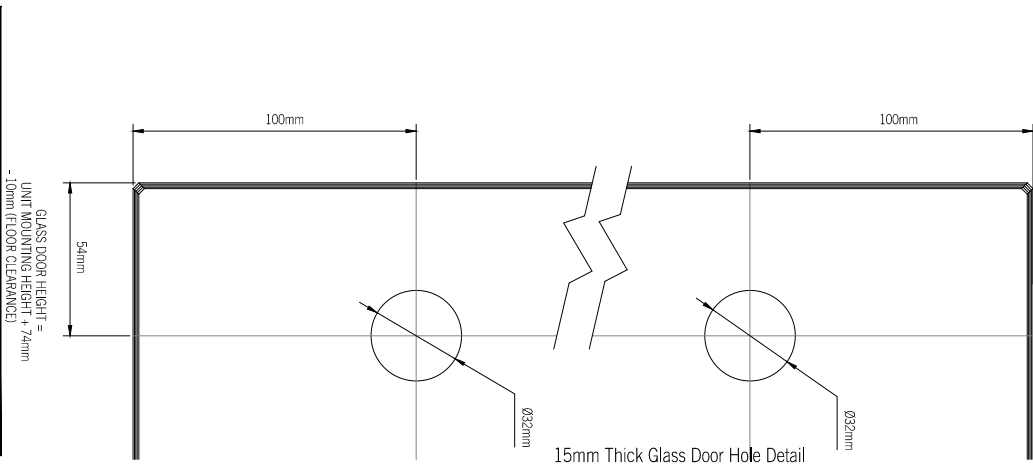
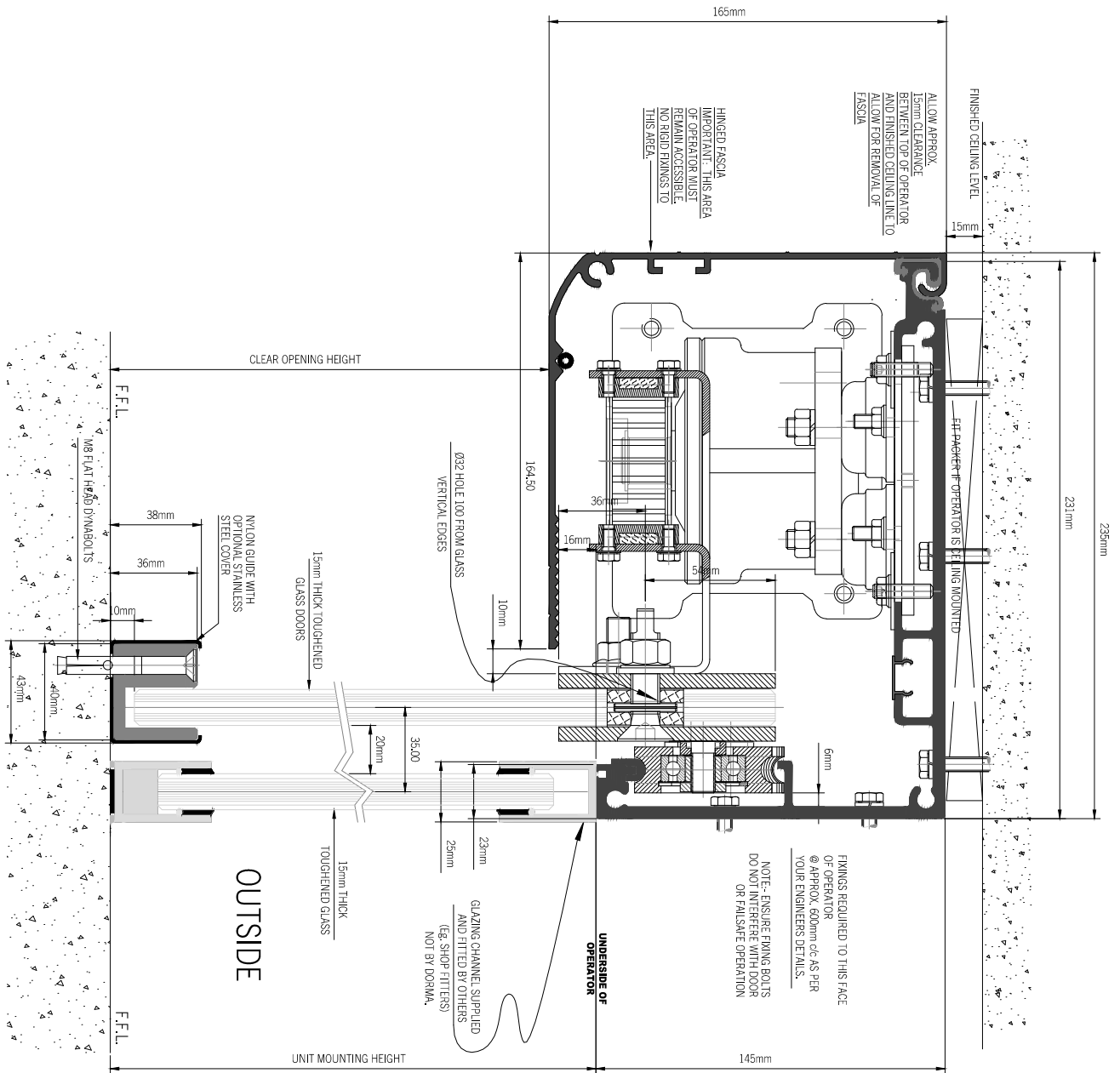
EL 301

Compact profile aluminium door SA2 (10501037)



EL 301

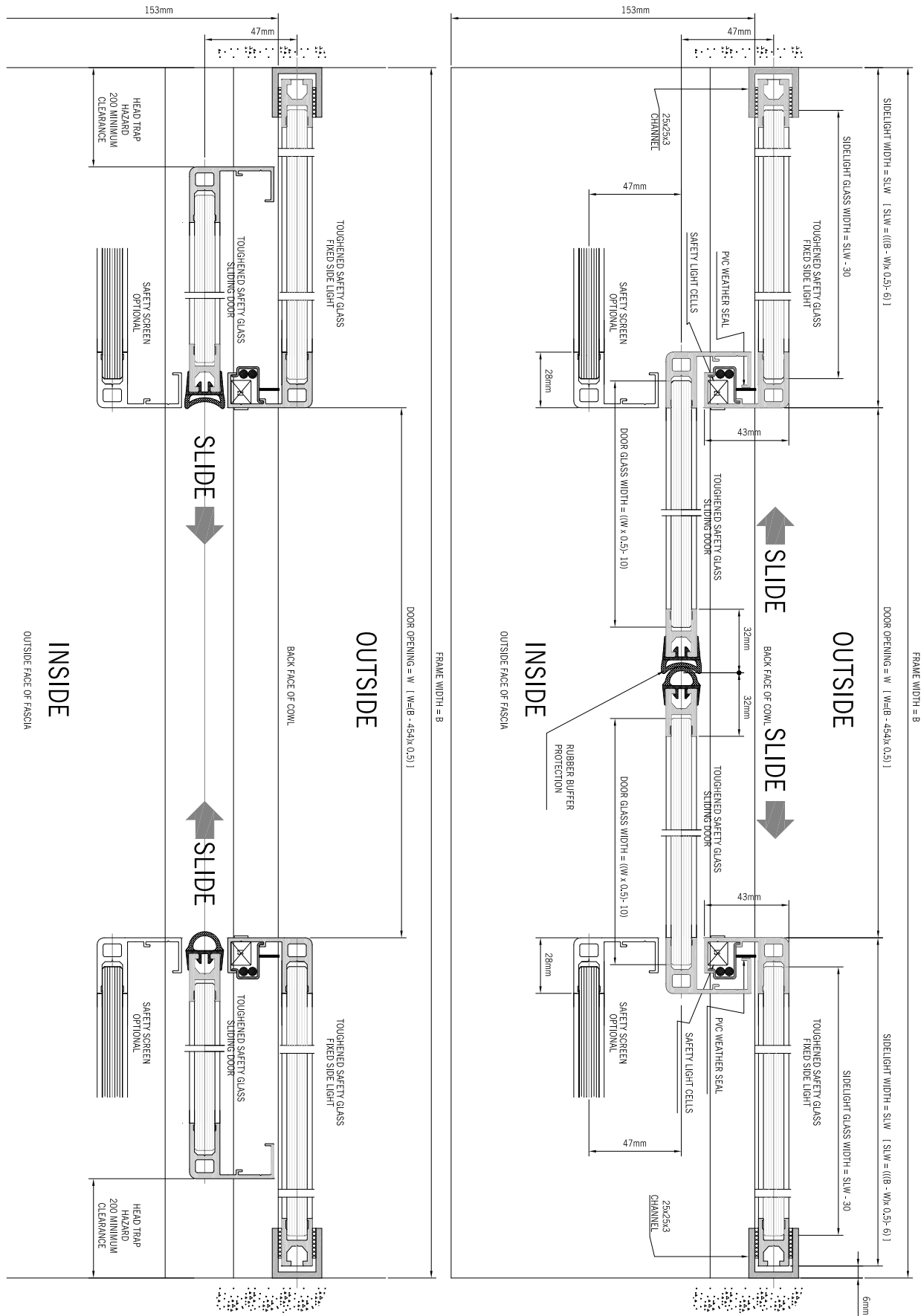
Compact profile frameless glass door 15mm (10501034)



PLEASE NOTE:-
 Extra holes required in glass for:
 Any frameless door leaf 1300mm or wider will also require an extra frameless boggle as per TIB40
 Extra holes required in glass for:
 Any frameless door leaf 1800mm or wider will also require two hanger bar sets as per TIB40(Addendum)

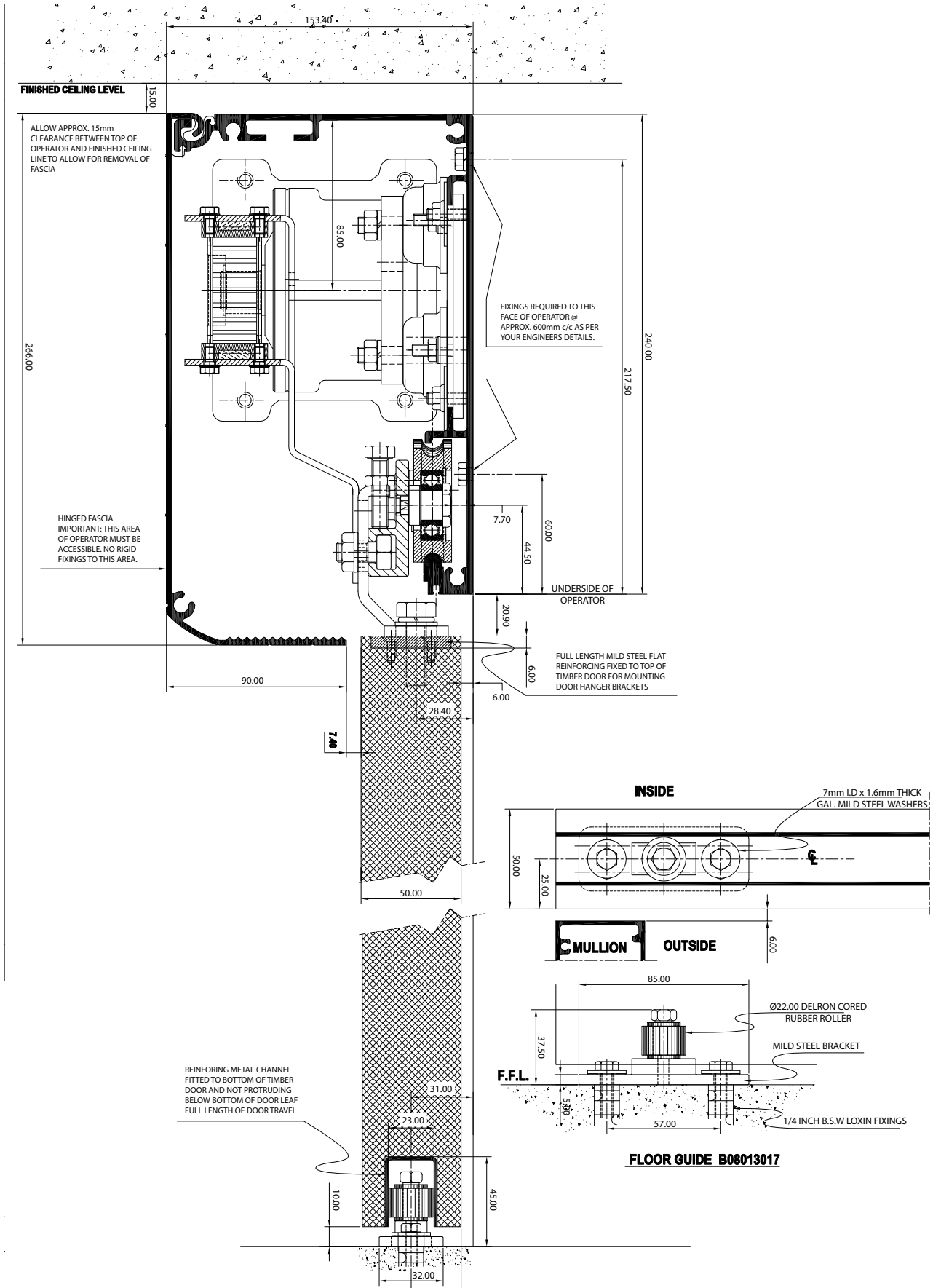
EL 301

Slimline frame system plan view (10201102)



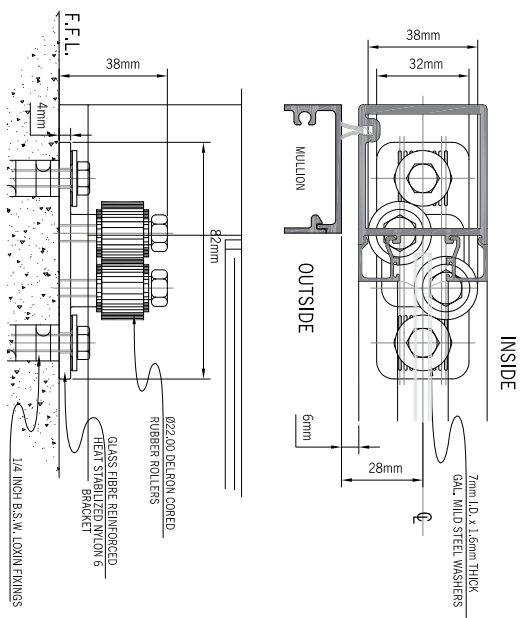
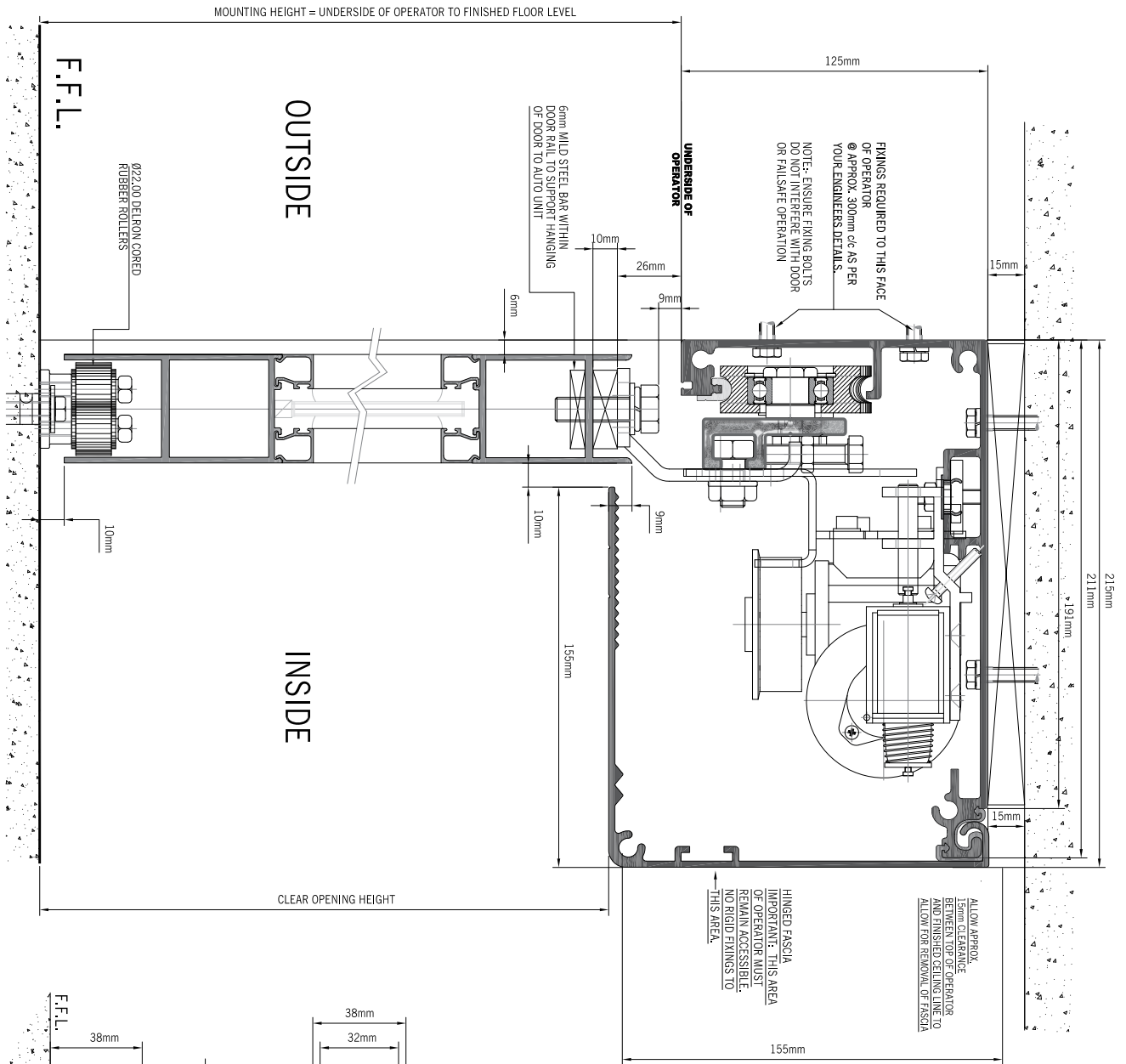
EL 301

Timber door SA1 (92031517)



HD 200

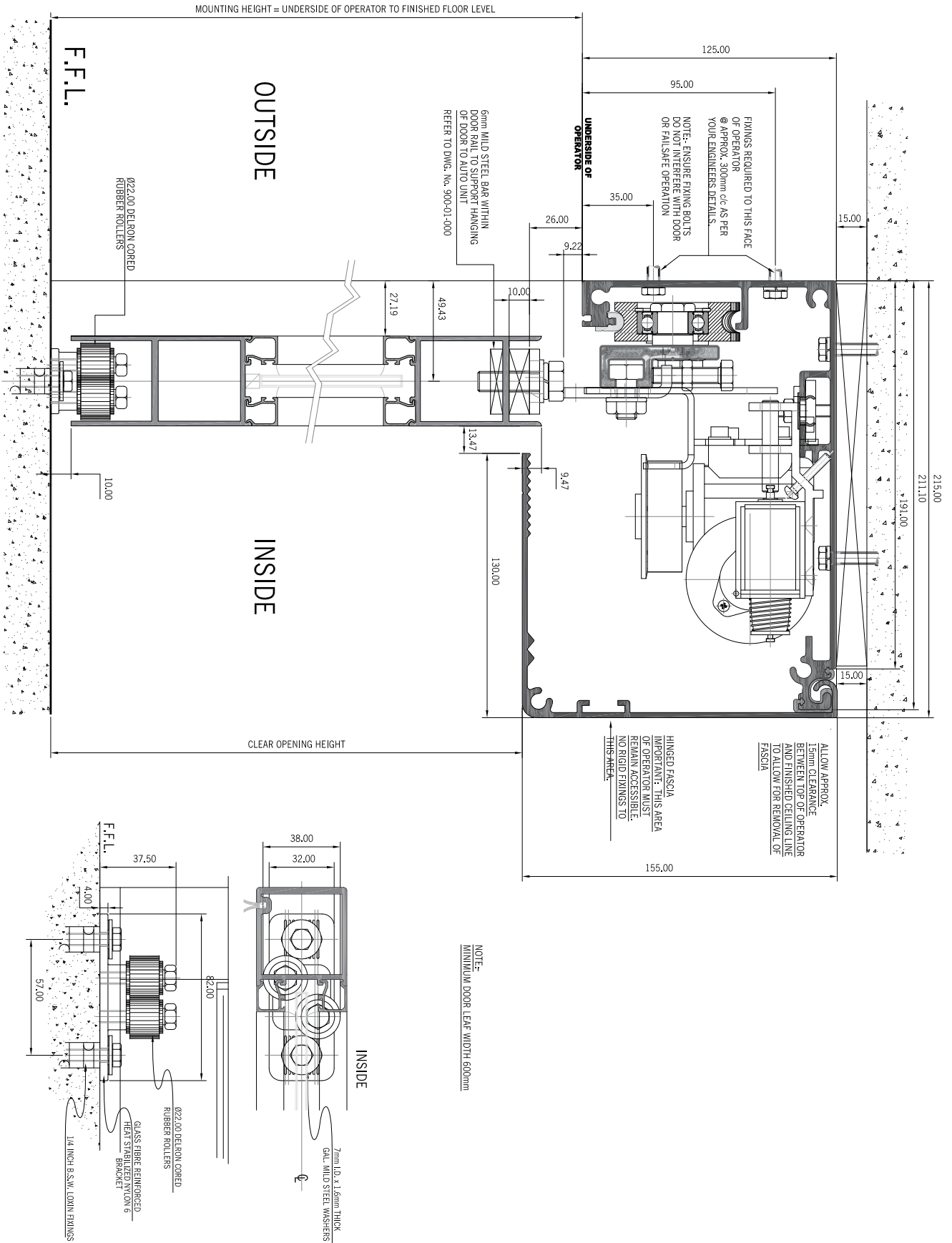
Aluminium door SA1 (10601000)



**NOTE:-
MINIMUM DOOR LEAF WIDTH 600mm**

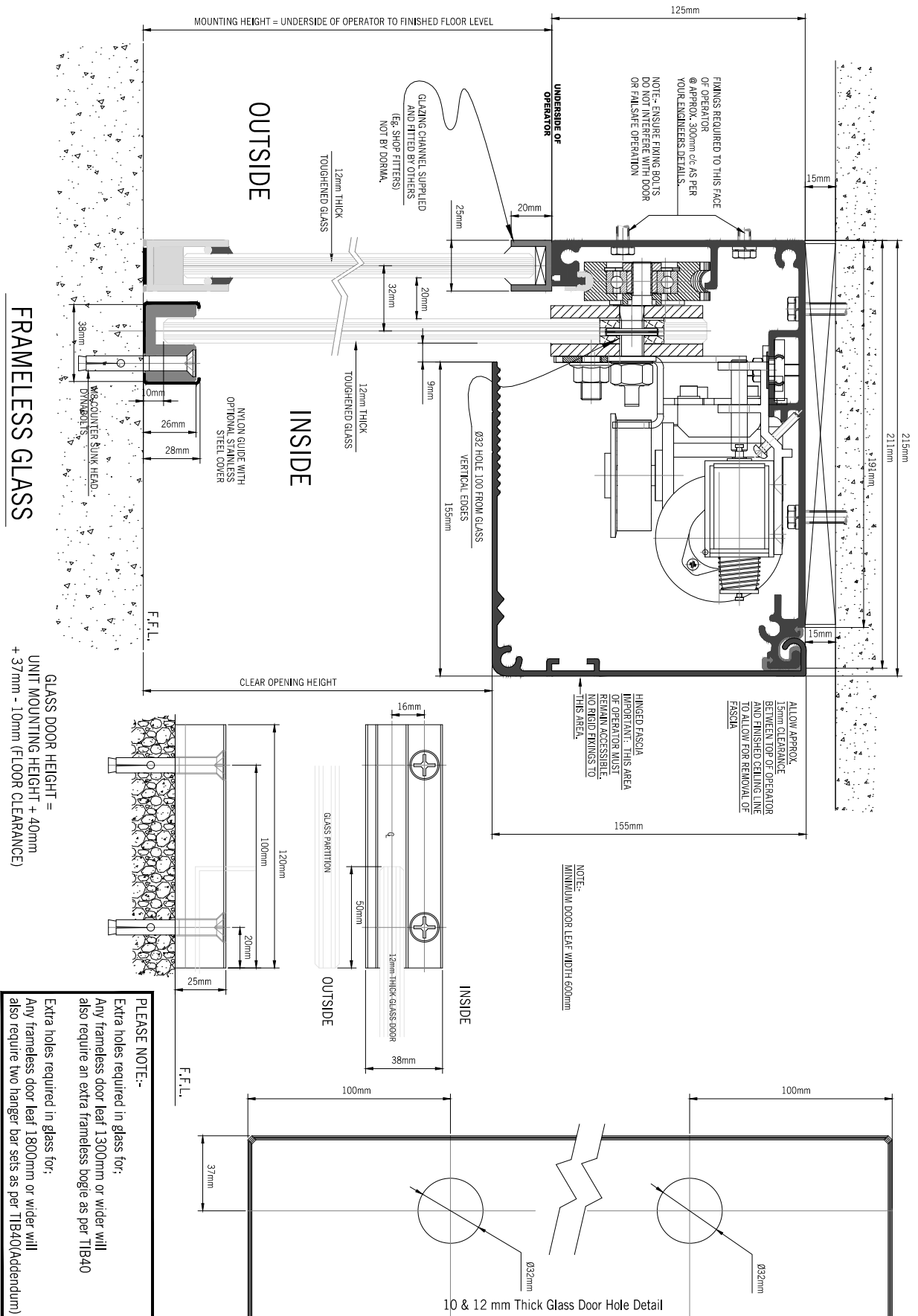
HD 200

Aluminium door SA2 (10601001)



HD 200

Frameless glass door 12mm (10601002)

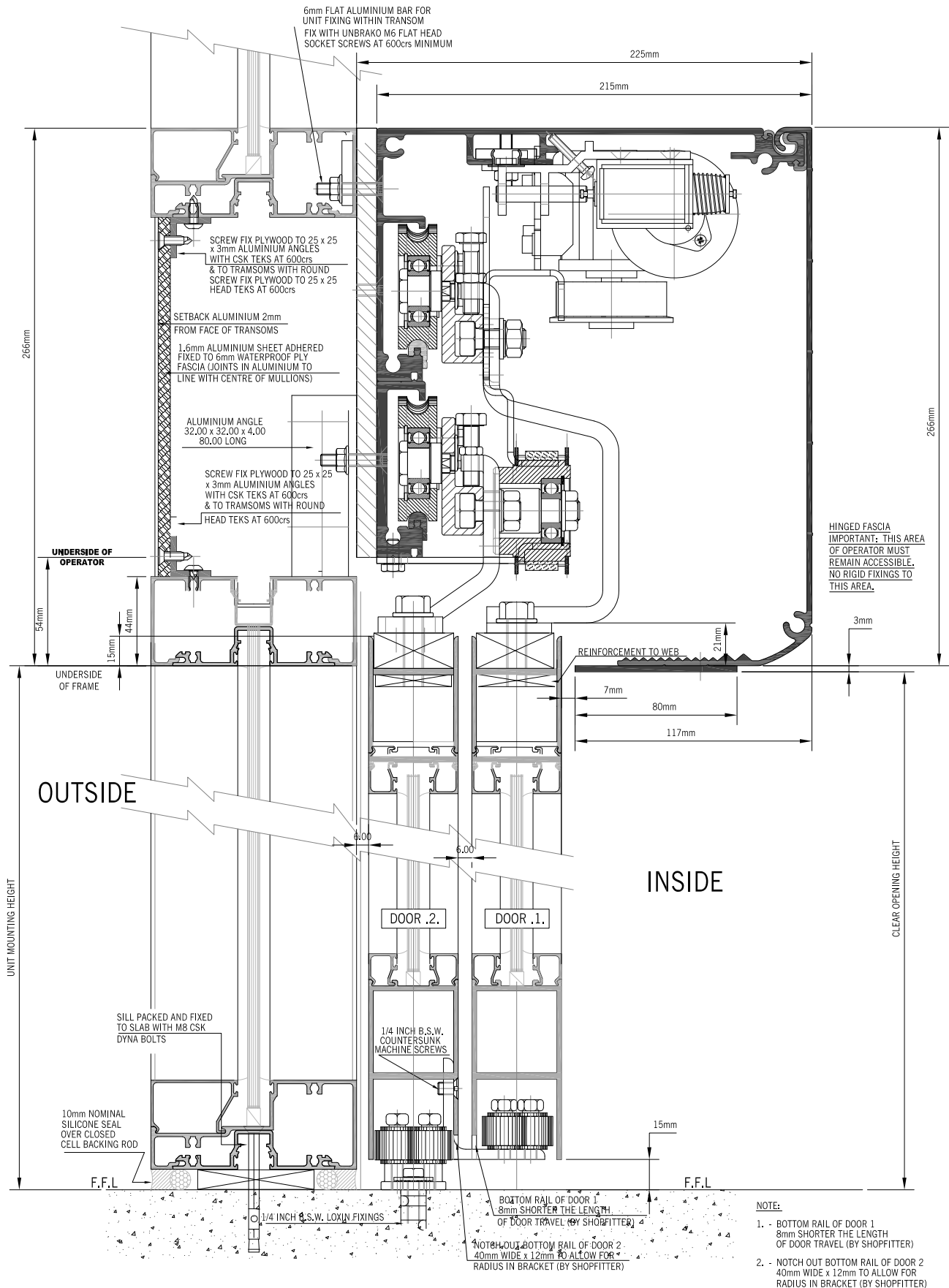


PLEASE NOTE:-
 Extra holes required in glass for;
 Any frameless door leaf 1300mm or wider will also require an extra frameless bogie as per TTB40

Extra holes required in glass for;
 Any frameless door leaf 1800mm or wider will also require two hanger bar sets as per TTB40(Addendum)

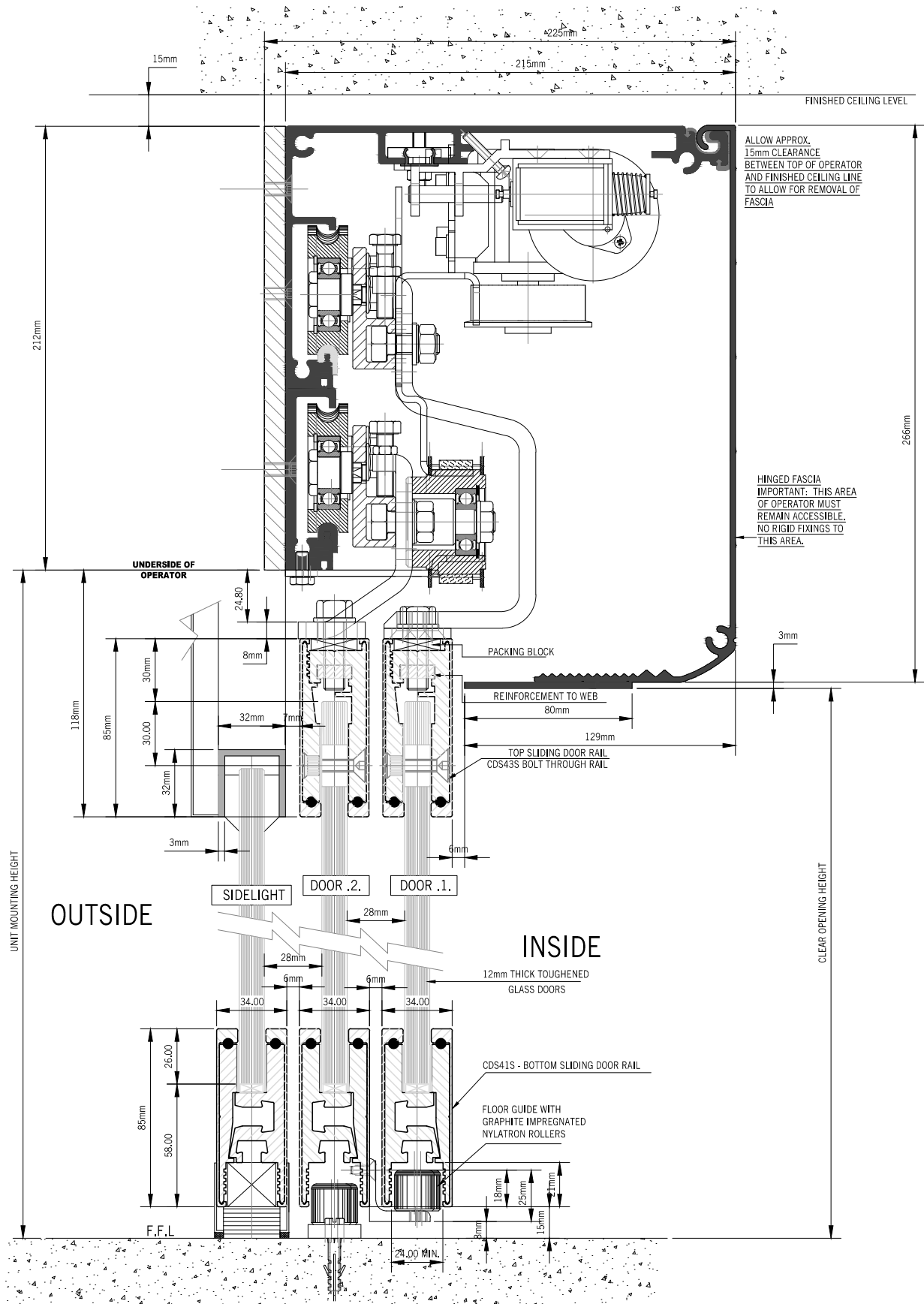
HD 200

TS 200 Telescopic aluminium frame door (20801000)



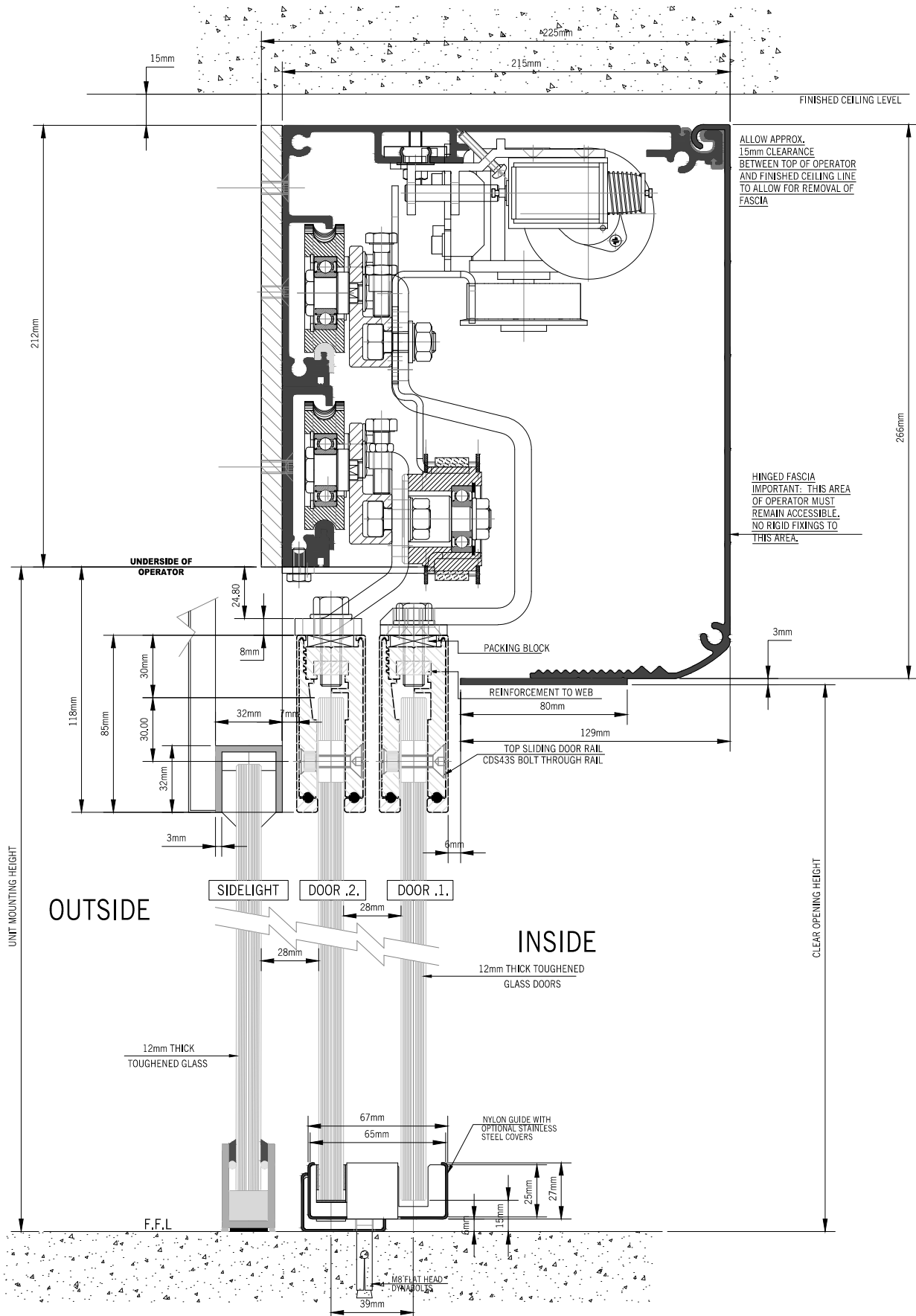
HD 200

TS 200 Telescopic frameless with top and bottom rail (20801003)



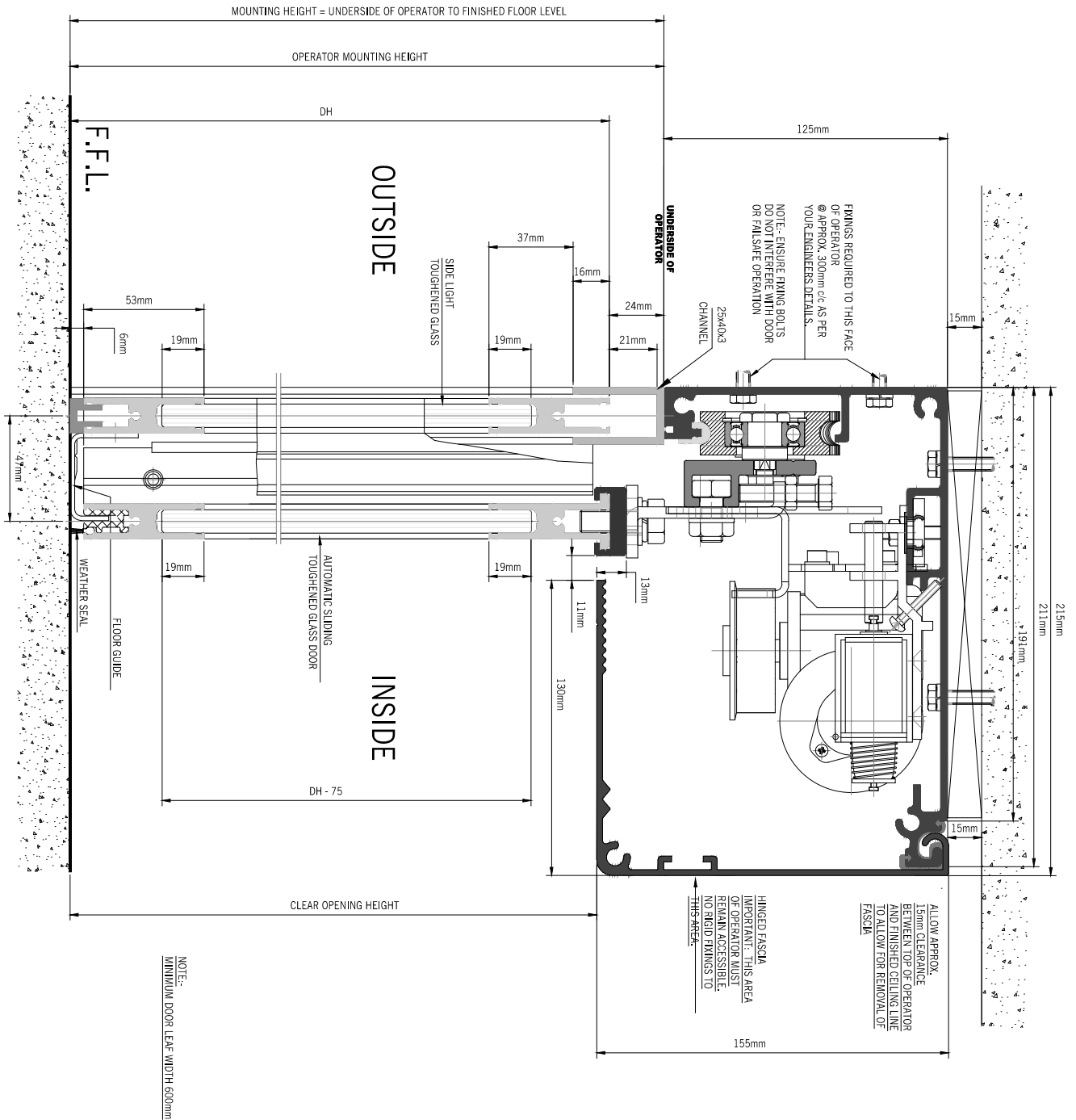
HD 200

TS 200 Telescopic frameless with top rail K-TYPE (20801009)



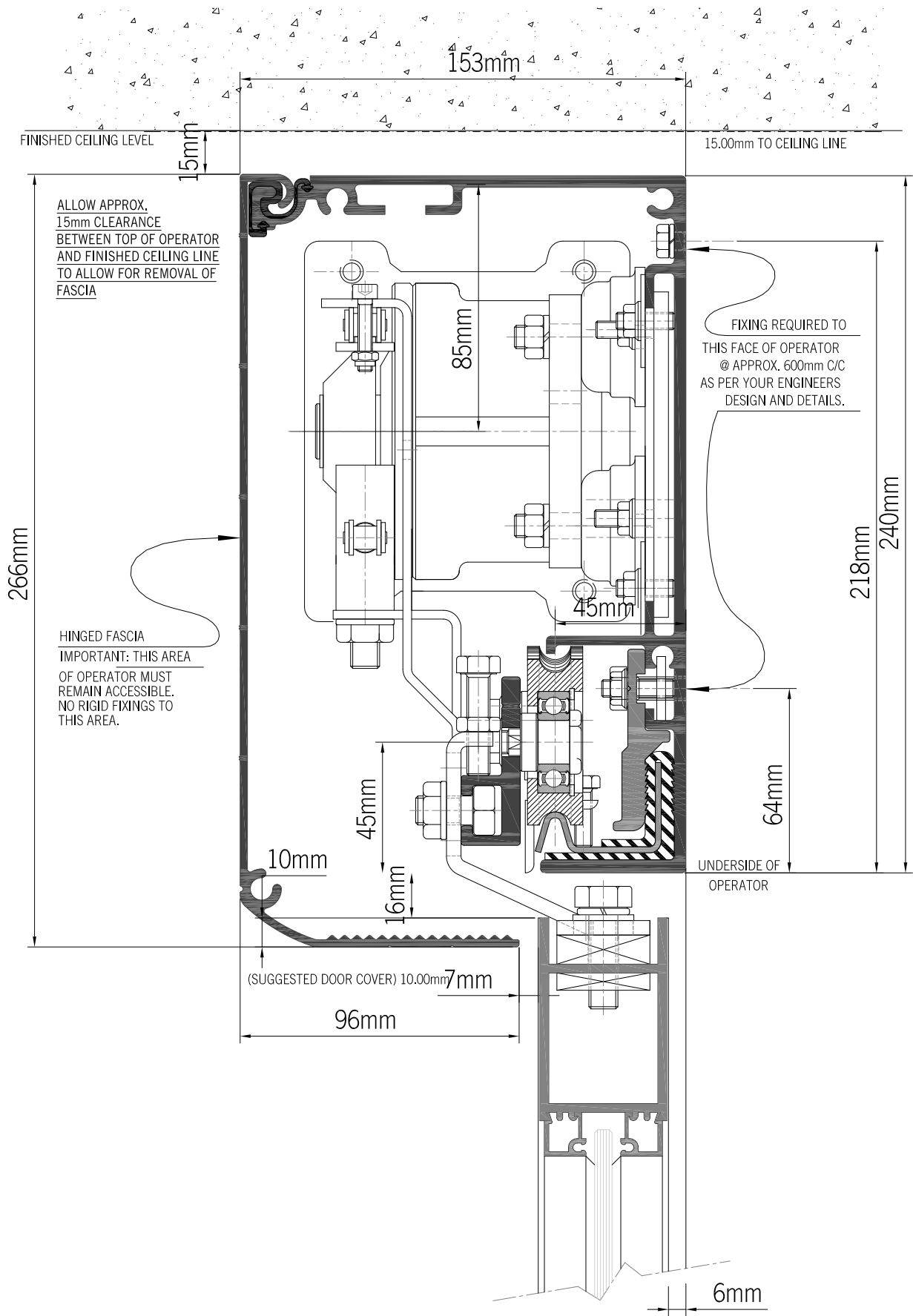
HD200

Slimline frame system SA2 (10601006)



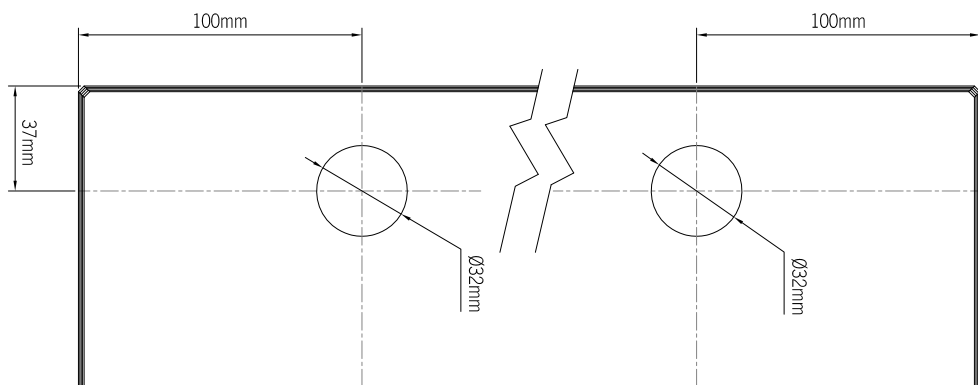
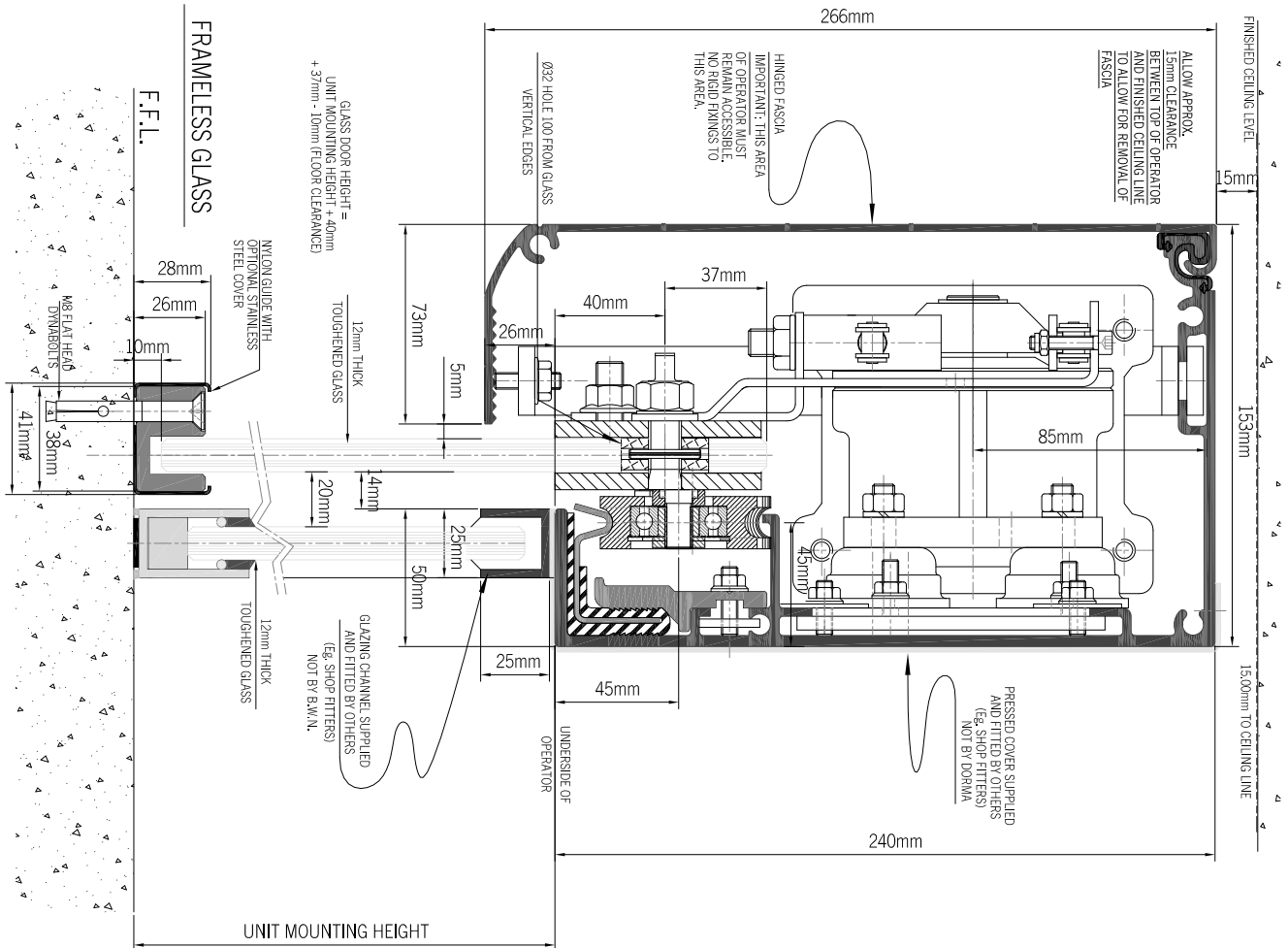
AL 401

Aluminium door SA1 (10101075)



AL 401

Frameless glass door 12mm (1A101076)



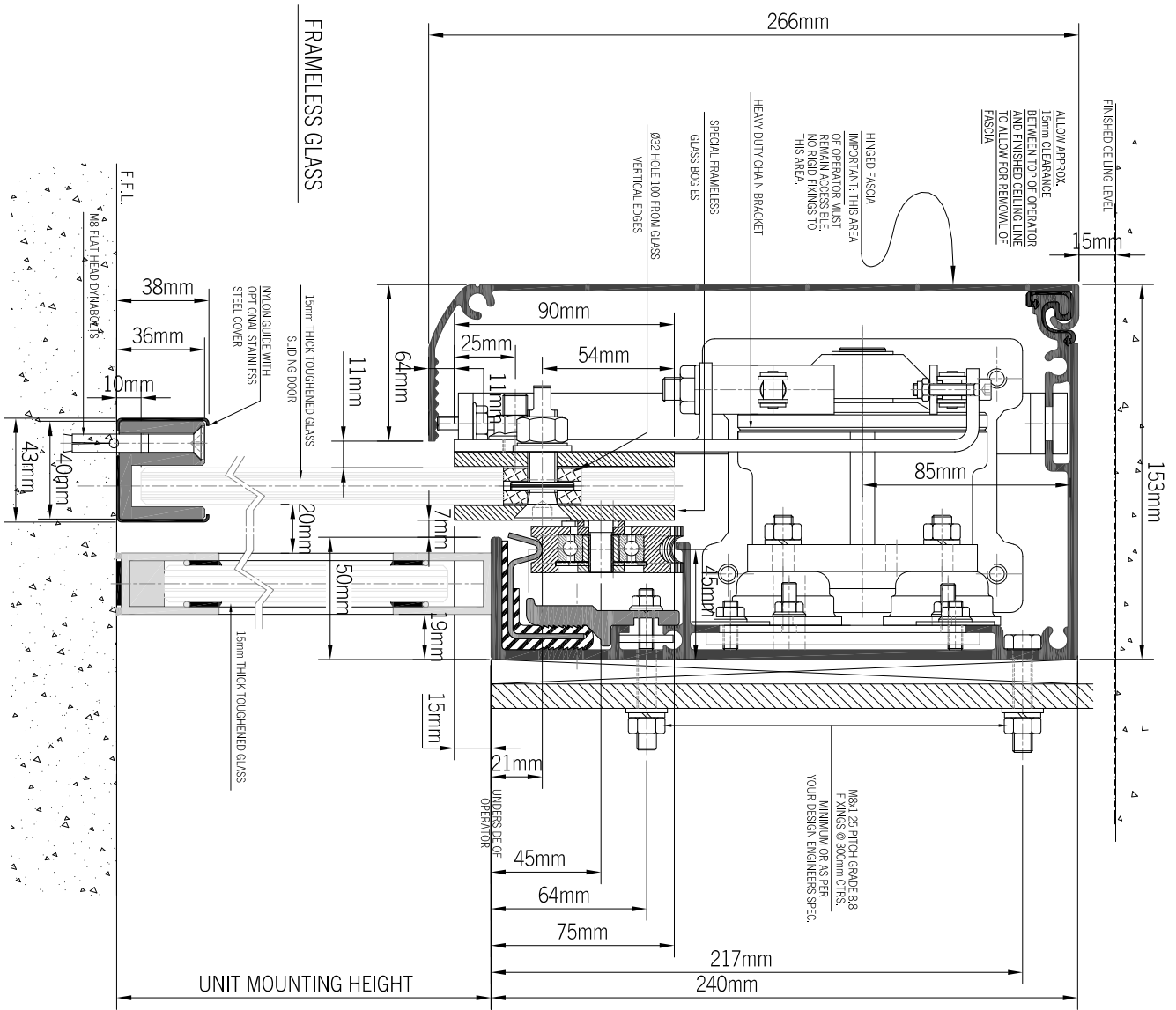
10mm & 12 mm Thick Glass Door Hole Detail

GLASS DOOR HEIGHT =
UNIT MOUNTING HEIGHT + 40mm
+ 37mm - 10mm (FLOOR CLEARANCE)

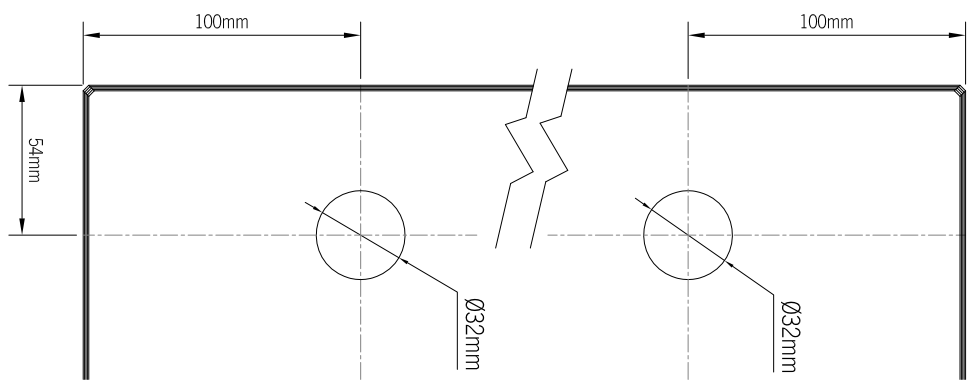
PLEASE NOTE:-
Extra holes required in glass for:
Any frameless door leaf 1300mm or wider will also require an extra frameless bogie as per TIB40
Extra holes required in glass for:
Any frameless door leaf 1800mm or wider will also require two hanger bar sets as per TIB40(Addendum)

AL 401

Frameless glass door 15mm (1B101078)



PLEASE NOTE:-
 Extra holes required in glass for:
 Any frameless door leaf 1300mm or wider will also require an extra frameless bogie as per TIB40
 Extra holes required in glass for:
 Any frameless door leaf 1800mm or wider will also require two hanger bar sets as per TIB40(Addendum)

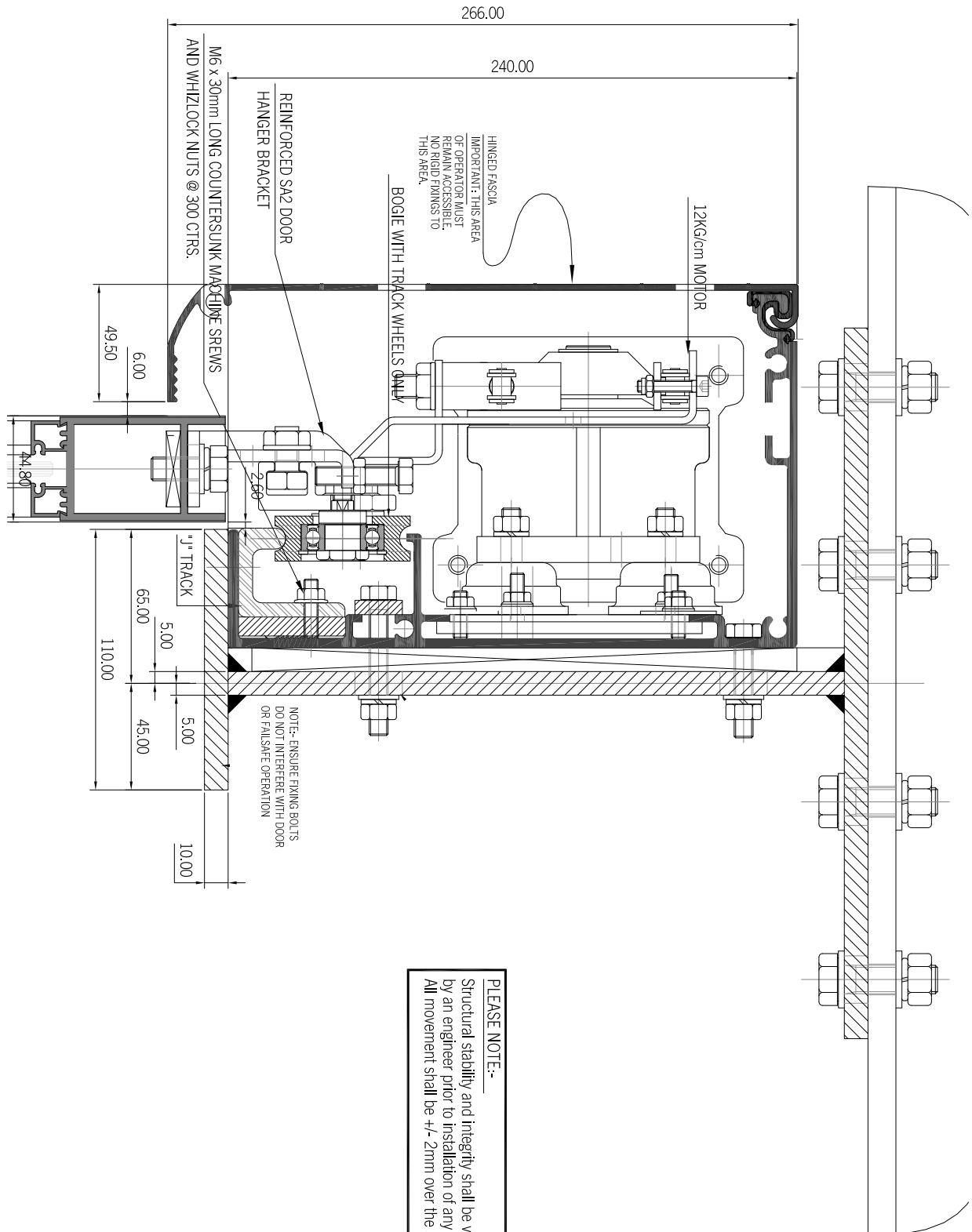


15 & 19mm Thick Glass Door Hole Detail

GLASS DOOR HEIGHT = UNIT MOUNTING HEIGHT + 75mm - 10.00mm (FLOOR CLEARANCE) = GLASS HEIGHT (UNDERSIDE OF OPERATOR)

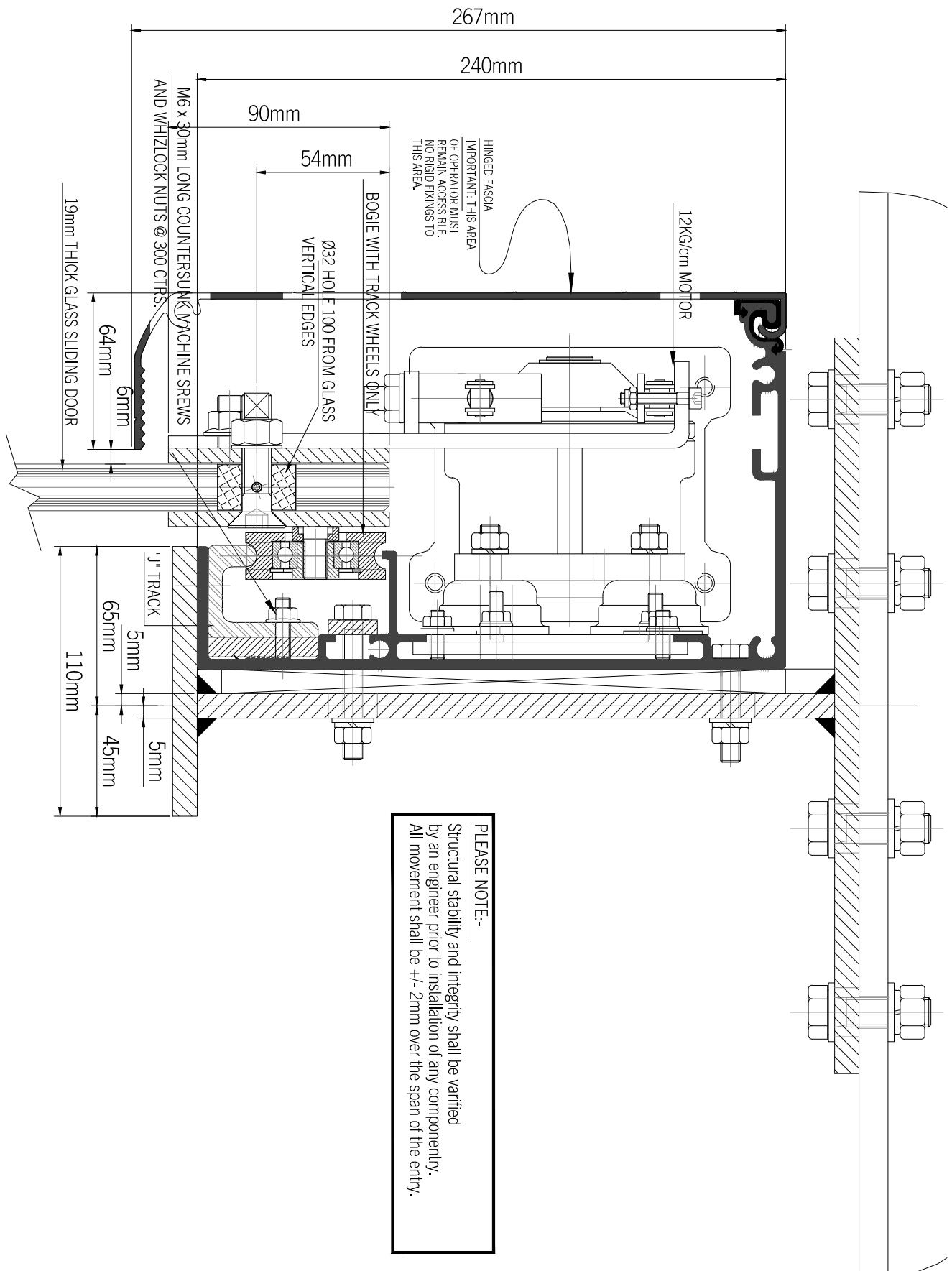
AL 501

Aluminium door SA2 (50301002)



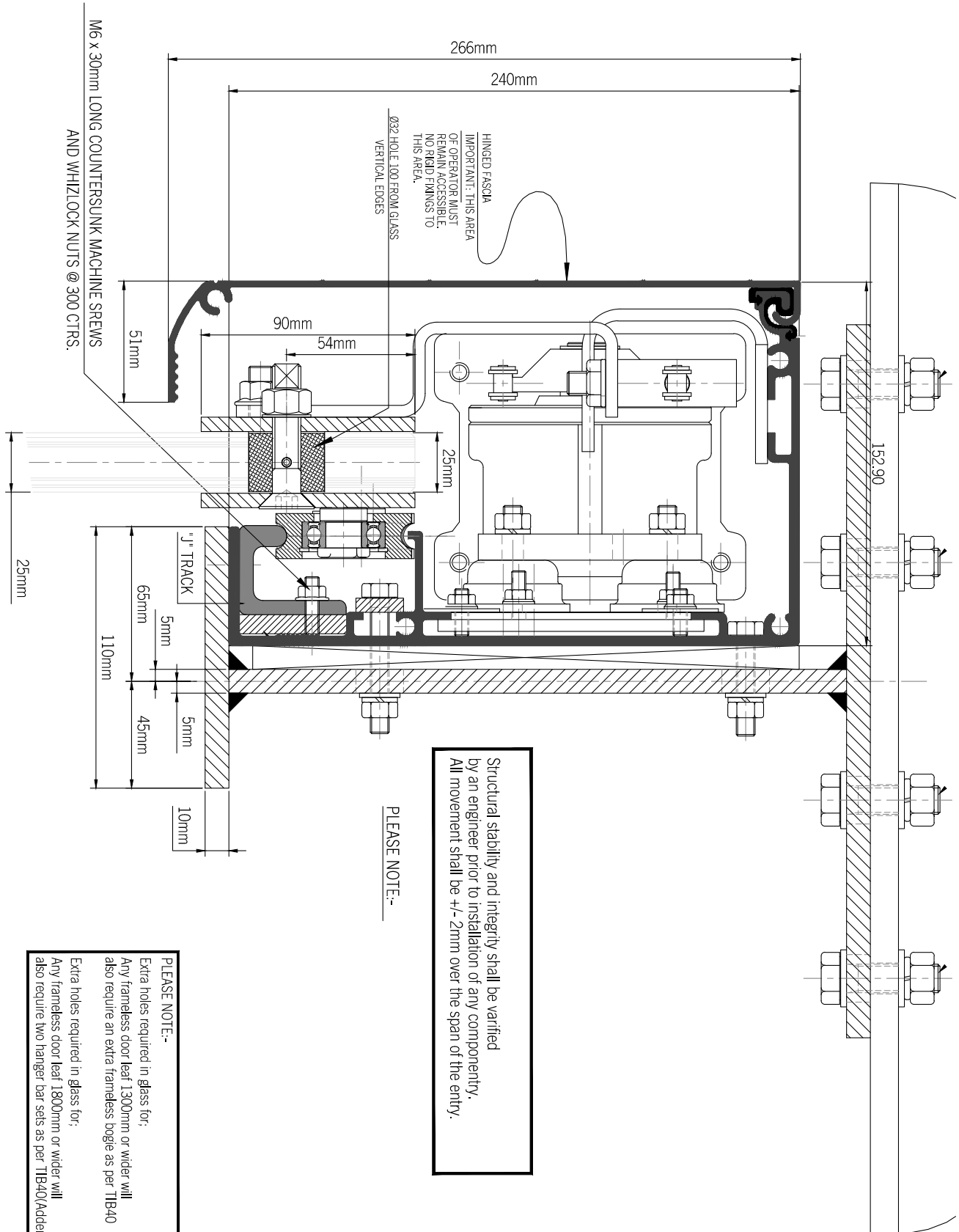
AL 501

Frameless glass door 19mm (50301000)



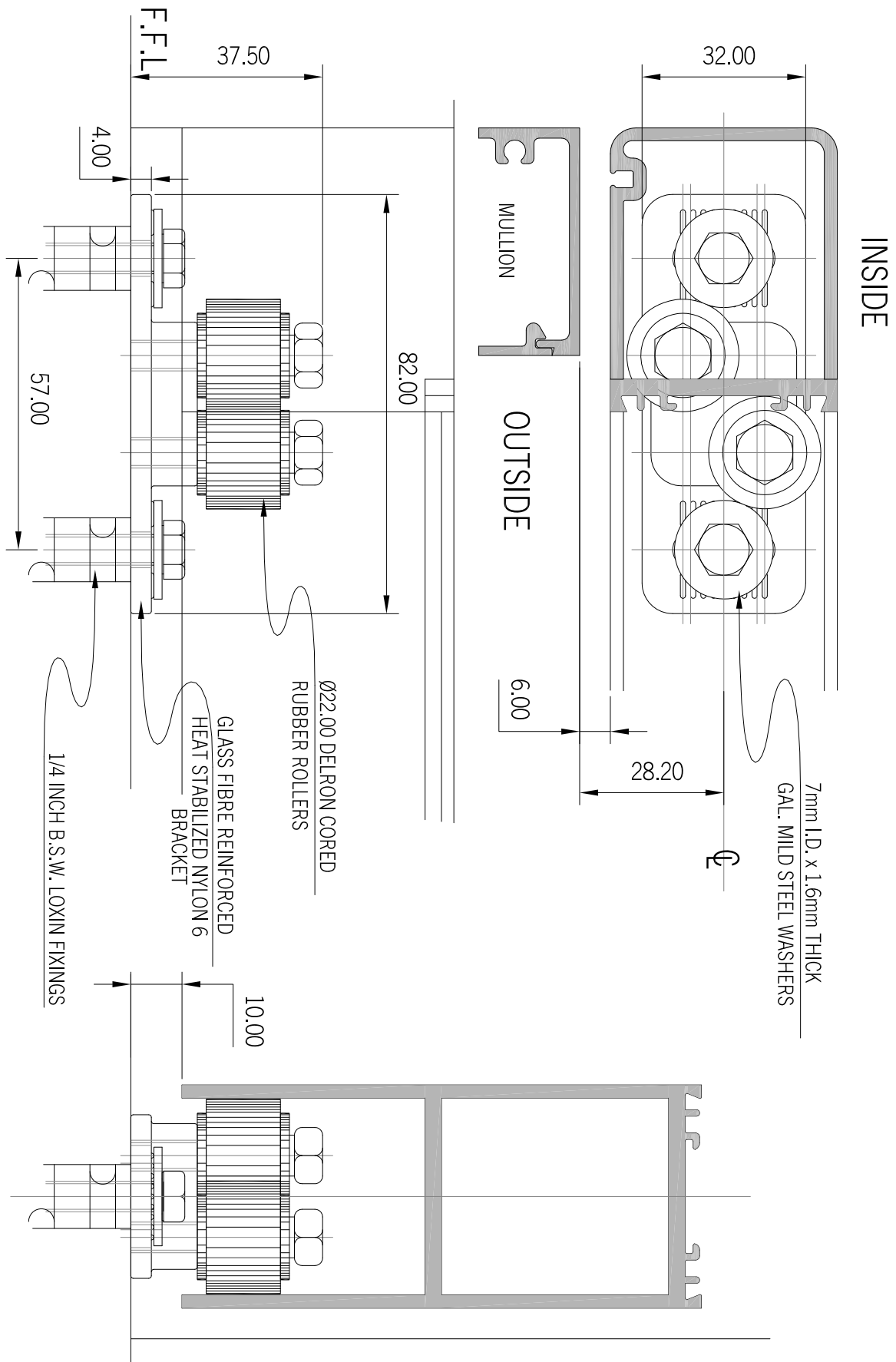
AL 501

Frameless glass door 25mm (50301001)



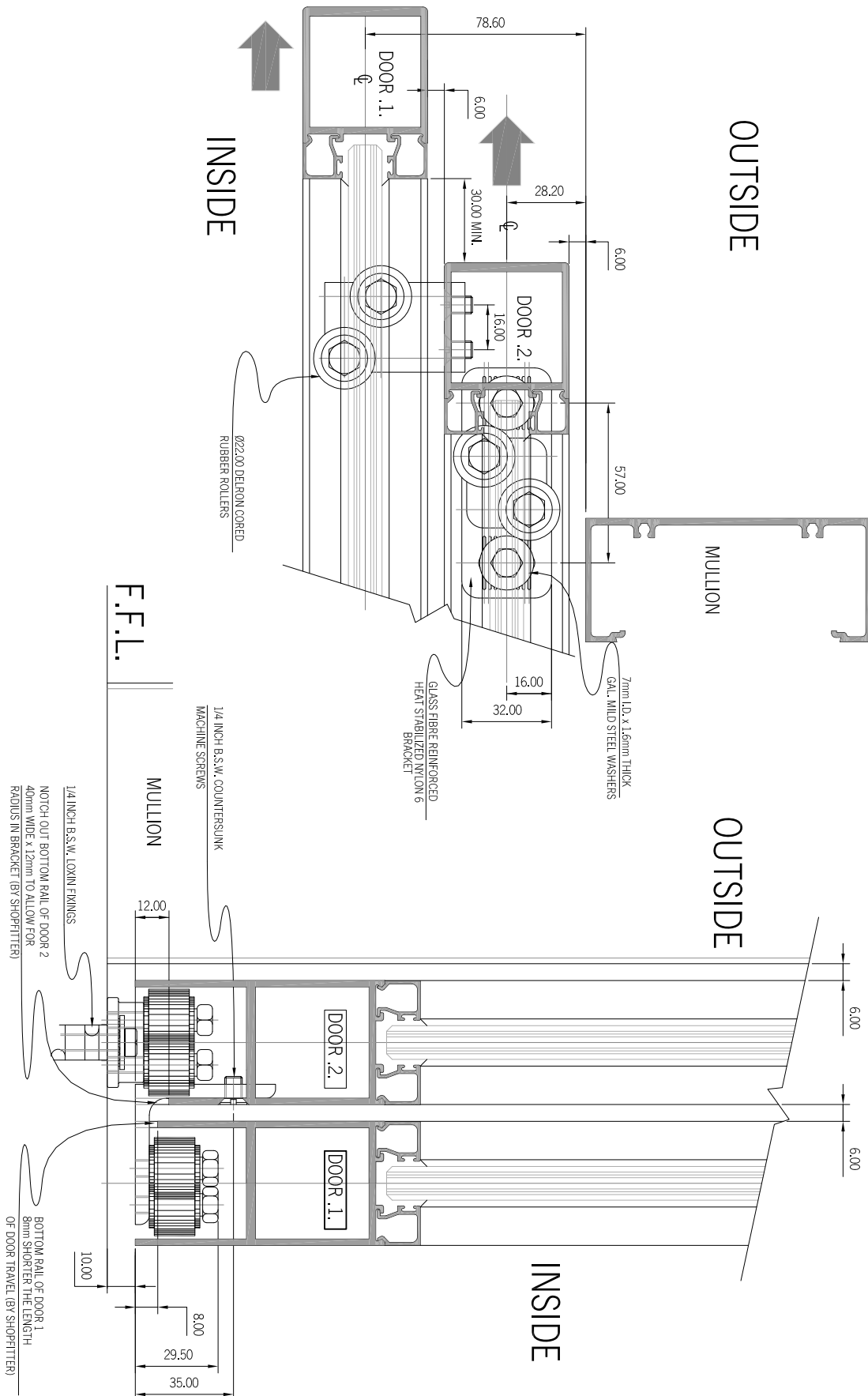
Floor Guide

Type A: Standard to suit aluminium door frame (B08013001)



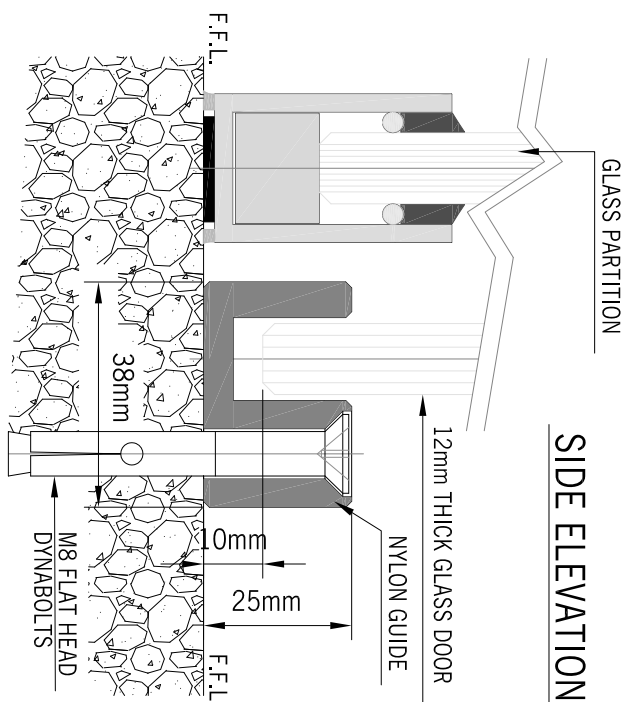
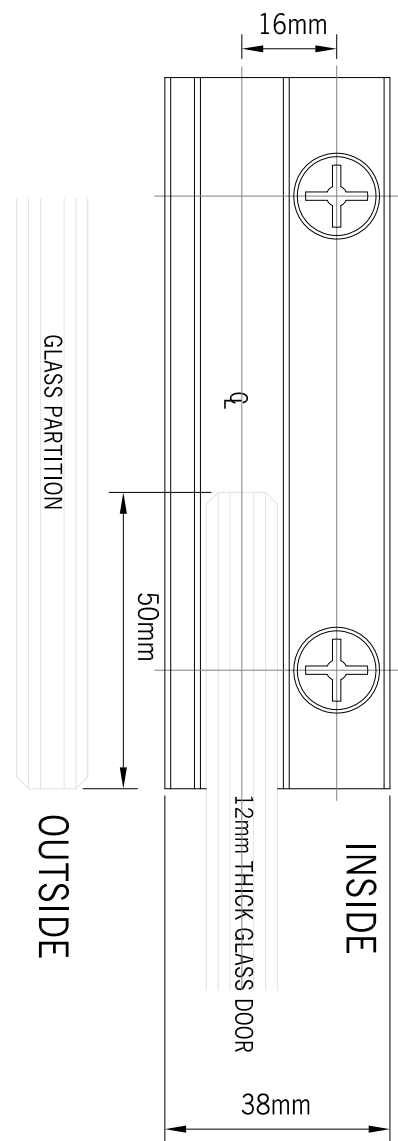
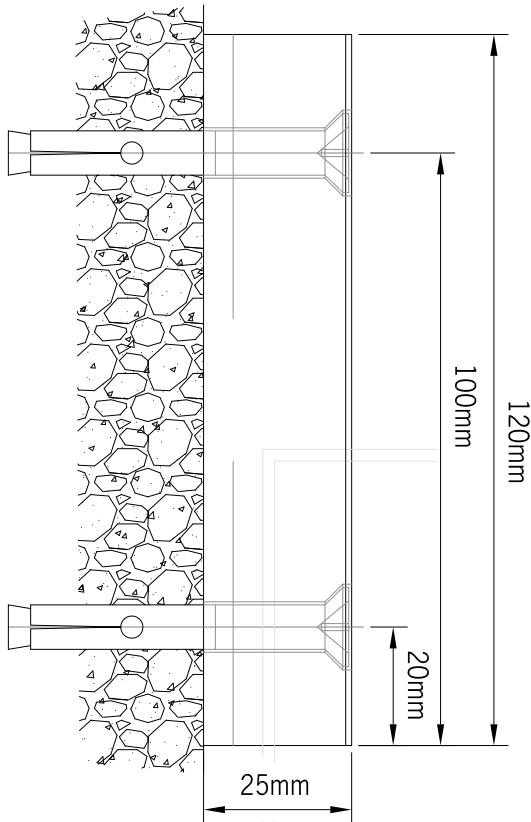
Floor Guide

Type C: Telescopic to suit aluminium door frame (B08013015)



Floor Guide

Type F: Nylon 12mm for frameless glass door (A08013012)



SIDE ELEVATION

Installation & Commissioning Guide

Operator installation

Factors for Installation Mounting Height of Operator

MODEL	STANDARD MOUNTING HEIGHT	POWERLEAD - LOOKING AT UNIT
EL 301	+25mm Min	EL 301=LHS
TELESCOPIC (TS 301)	+44mm Min	TS 301=LHS
COMPACT PROFILE (CP 301)	+20mm Min	TS 301=LHS
HD 200	+30mm Min	HD 200=RHS
TS 200	+54mm Min	TS 200=RHS
AL 401	+25mm Min	AL 401=LHS

Note: Standard mounting height is generally taken as the operator cowl mounting height above underside of transom.

1. Unpack and inspect the automatic door operator. It should be free of any visual defects, dents or scratches.
2. Remove the fascia and check that all the accessories for the commissioning are inside. This will include the endplates, floor guides, sensors, operator manual and PE cells.
3. Measure the operator length checking that it is the correct size for the application, taking into the consideration the endplate thickness.
4. Remove the door brackets so they can be attached to the top of the door later. Remove the hanger bars to allow for the drilling of fixing holes through the cowl. This is done by unscrewing.
5. Mark the centre of the operator, this will allow you to align it with the centre mark on the wall. If possible pre-drill fixing holes through the cowl prior to installation.
6. De-burr all fixing holes drilled.
7. Using suitable clamps position the blocks of timber at the operator height.
8. Fit the endplates to the operator before installation, as this may be difficult afterwards.
9. Raise the operator into position and check for level. Fix the operator using the appropriate fixings.
10. Ensure all fixings are secure and the operator is well fastened prior to removing the clamps.
11. The operator is now installed and ready for commissioning.

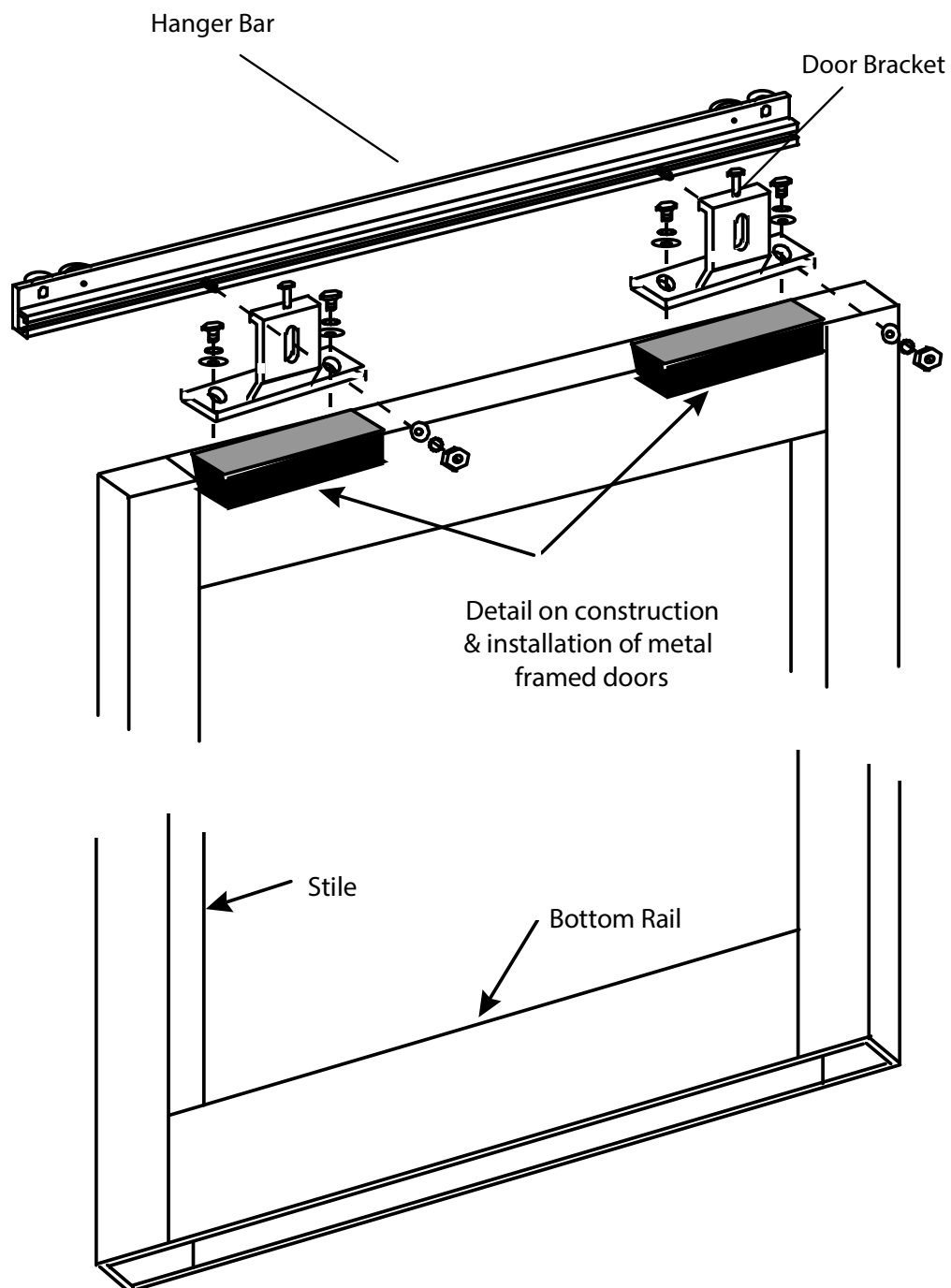
Door Height Calculations

OPERATOR	BRACKETS	DRAWING	UNIT HEIGHT	DOOR HEIGHT CALCULATION
EL301	SA-1 Framed	10201070	266mm	FFL to top of operator minus 266mm
EL301	SA-2 Framed	1A201084	266mm	FFL to top of operator minus 266mm
EL301	12mm Glass	1A201086	266mm	FFL to top of operator minus 173mm
EL301	15mm Glass	1B201087	266mm	FFL to top of operator minus 175mm
EL301	19mm Glass	92031210	266mm	FFL to top of operator minus 175mm
TS301	Framed	1A701030	266mm	FFL to top of operator minus 260mm
TS301	Glass Rails	1A701031	266mm	FFL to top of operator minus 260mm
CP 301	SA-1 Framed	10501032	165mm	FFL to top of operator minus 170mm
CP301	SA-2 Framed	10501037	165mm	FFL to top of operator minus 170mm
CP301	12mm Glass	10501031	165mm	FFL to top of operator minus 79mm
CP301	15mm Glass	10501034	165mm	FFL to top of operator minus 81mm
HD200	SA-1 Framed	10601000	155mm	FFL to top of operator minus 155mm
HD200	SA-2 Framed	10601001	155mm	FFL to top of operator minus 155mm
HD200	12mm Glass	10601002	155mm	FFL to top of operator minus 59mm
TS200	Framed	20801000	266mm	FFL to top of operator minus 259mm
TS200	Glass Rails	20801003	266mm	FFL to top of operator minus 261mm
AL401	SA-1 Framed	10101075	266mm	FFL to top of operator minus 266mm
AL401	12mm Glass	1A101076	266mm	FFL to top of operator minus 173mm
AL401	15mm Glass	1B101078	266mm	FFL to top of operator minus 175mm
AL401	19mm Glass	1B101077	266mm	FFL to top of operator minus 175mm
AL501	SA-2 Framed	50301002	266mm	FFL to top of operator minus 266mm
AL501	19mm Glass	50301000	266mm	FFL to top of operator minus 175mm
AL501	25mm Glass	50301001	266mm	FFL to top of operator minus 175mm

Fitting Of Aluminium Framed Door

1. Ensure the Automatic Sliding Door Operator is at the correct height.
2. Remove Door Brackets from Hanger Bar and attach using suitable fixings to top of metal frame door.

Note: Always fix Door Brackets so they are as close as possible to the Track Wheels to give maximum stability during operation.



Note: Door frame webbing to be removed to ensure unimpeded door travel.

Frameless Glass Door

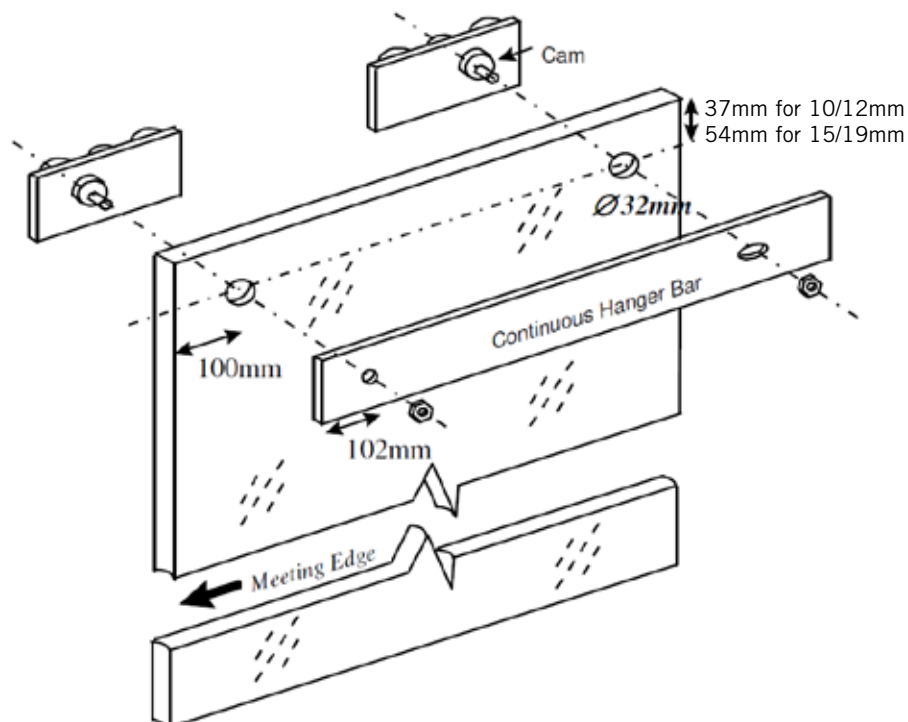
Fitting Adjustment

1. Ensure the Automatic Sliding Door Operator is at the correct height.
2. Pull Frameless Hanger Bar Assemblies to the half open position.
3. Disconnect Chain Bracket and remove continuous Hanger Bar, leaving Frameless Boggles on the track.
4. Rotate cam into position to allow fitting of glass.
5. Place Door Leaf on packer at floor level and fit top to Frameless Boggles.
Note: Nominal 10mm clearance from F.F.L
6. Refit continuous Hanger Bar to complete Frameless Hanger Bar Assembly.

DO NOT FULLY TIGHTEN NUTS

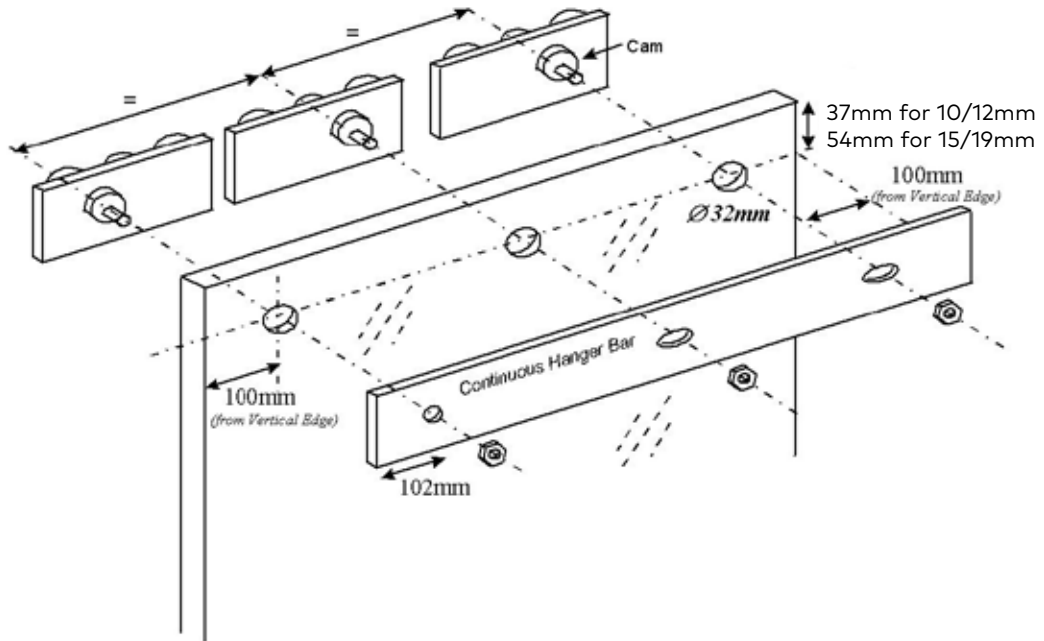
7. To align Door Leaf, rotate Glass Spacer Cam via both 12mm bolts. (Note: Do not raise/lower door weight via nylon cams - door weight to be chocked/supported)
8. When correct height achieved, tighten 12mm nuts.
9. Check Door Leaf travels freely along track and then re-connect Chain Bracket to the Frameless Hanger Bar Assembly.
10. BEFORE TURNING THE OPERATOR ON, MANUALLY CHECK THAT THE CONTACT AT THE MEETING OF THE DOORS IS **NOT** GLASS TO GLASS.

Frameless Glass Door, Frameless Boggles and Continuous Hanger Bar (Glass hole detail for 10/12mm and 15/19mm thick glass panels, shown up to <1300mm W)

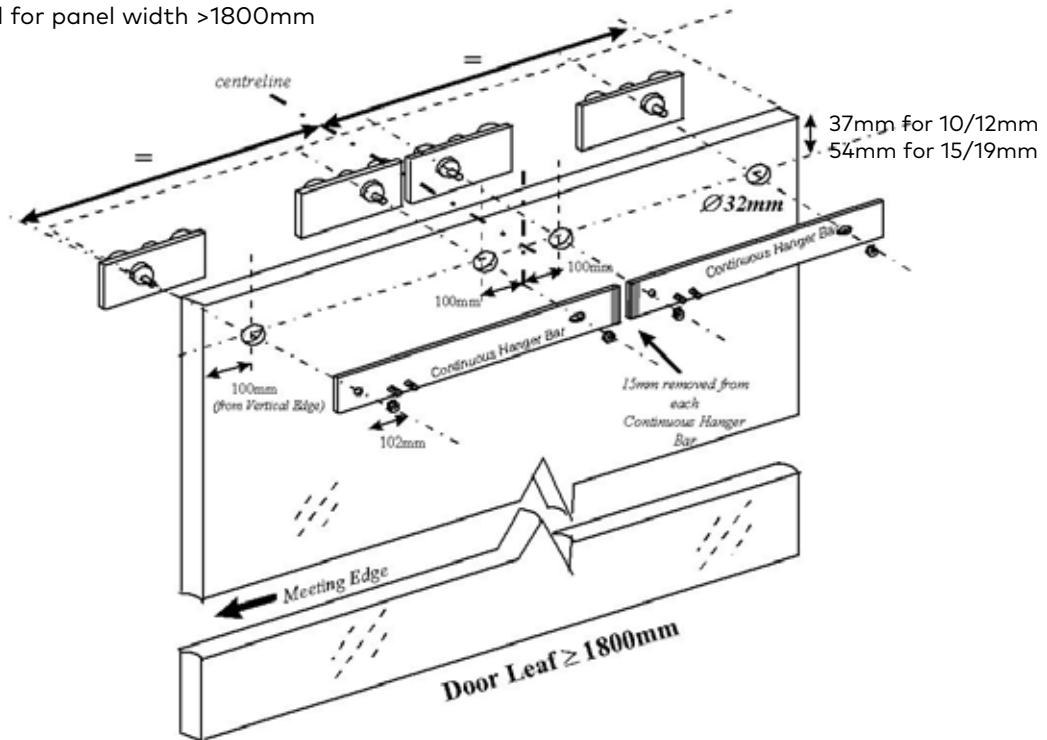


Frameless Glass Door

Glass Hole Details for 10/12mm & 15/19mm thick panel width <1300mm to <1800mm (TIB40)

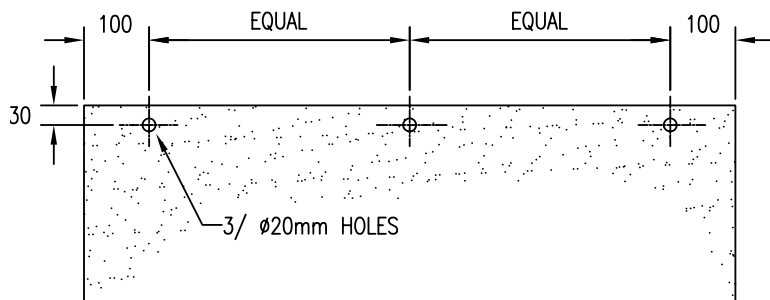


Glass hole detail for panel width >1800mm

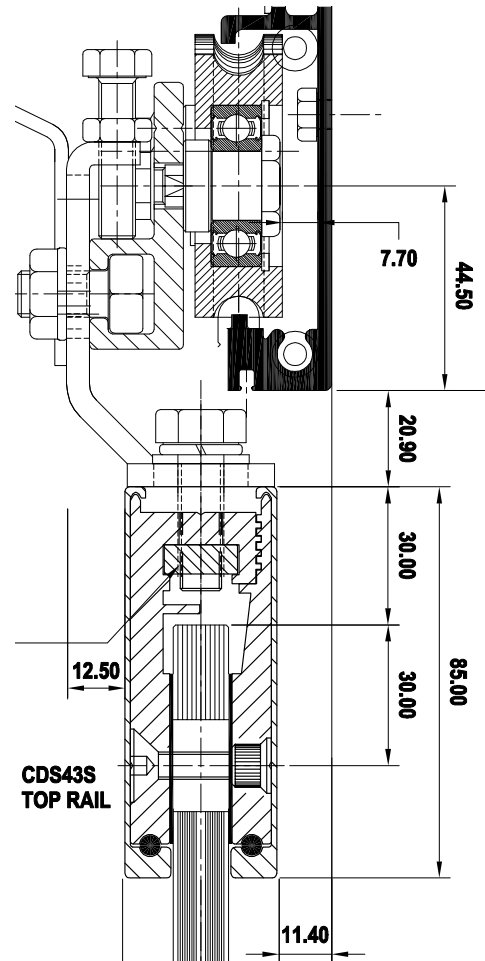


Door Rails

CDS 43S DORMA top rail preparation



GLASS PREPARATION (10 & 12mm shown)



CDS 43S SPECIFICATION: On-Eazi 85mm High Bolt through Top Door Rail to suit most automatic or manual Sliding Door Systems. Specify Glass Thickness 10, 12, 15 or 19mm. Alternative rail cover heights on application. ILLUSTRATED

FINISHES

ALUMINIUM:
MILL, SAA
STAINLESS: SSS, PSS
Special finishes available on request.

Standard Floor Guide Installation

VIEW FROM INSIDE

1 CLOSE DOORS FULLY. SQUARE AND ALIGN DOORS. CHECK DOORS PARALLEL TO JAMBS. MARK POSITIONS.

PLACED SUCH THAT DOOR CAN FULLY CLOSE

OUTSIDE

SIDE LIGHT

$\frac{1}{2}$ DOOR THICKNESS + 10mm

2 PLACE FLOORGUIDE SO DOORS ARE PLUMB.

3 DRILL 2 x Ø13mm HOLES AND FIX WITH SUPPLIED LOXIN AND WASHERS.

OUTSIDE

SIDE LIGHT

4 ENSURE DOORS CAN CLOSE FULLY. (MILLING INTERNAL WEB OF DOOR MAY BE NECESSARY)

(if necessary)

5 TURN FLOORGUIDE UNTIL APPROX. 1mm CLEARANCE BETWEEN ROLLER AND RAIL.

CHECK CLEARANCE BY MOVING DOOR LEAF BACK AND FORTH.

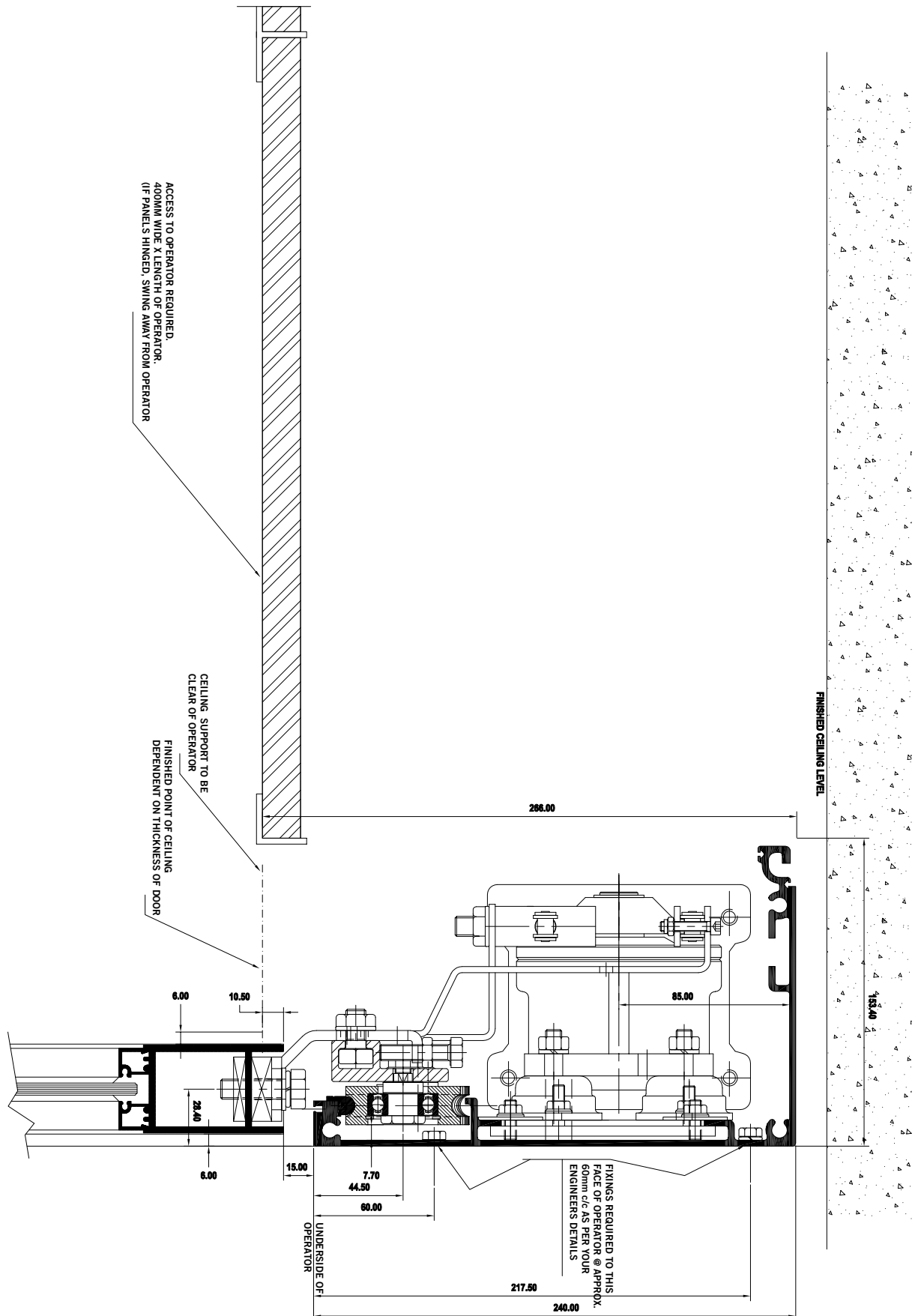
VIEW FROM INSIDE

6 HANG, SQUARE AND ALIGN DOORS. CHECK DOORS PARALLEL TO JAMBS (10mm CLEARANCE). CHECK DOORS CLOSE FULLY.

NOTE : Instructions shown are for STANDARD aluminium doors and STANDARD Floor guides.

EL 301

Access requirement for above ceiling mounting





www.dormakaba.com.au

dormakaba
Head Office
46-52 Abbott Road
Hallam VIC 3803
T 1800 675 411
F +61 (3) 8795 0280
info.au@dormakaba.com
www.dormakaba.com.au