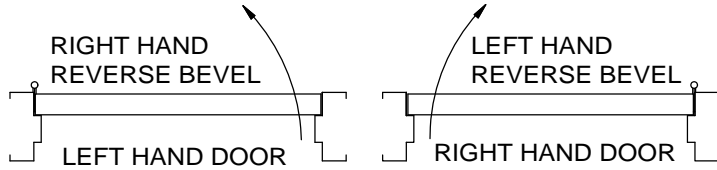


# 8916 / 8956 TDE, TDEH TRACK DOUBLE EGRESS - PULL SIDE MOUNT AND ACCESSORY PLATE BP89



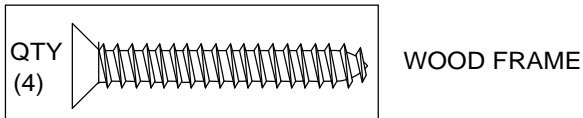
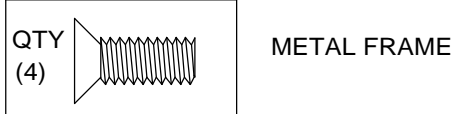
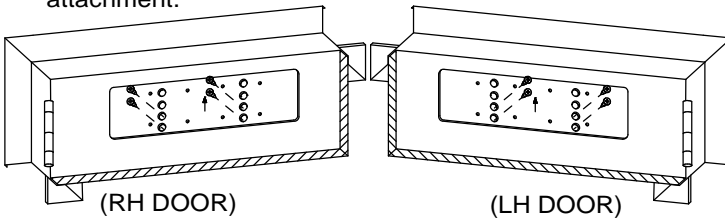
1 (REFERENCE UNIT CARTON FOR ACCESSORIES AND OPTIONS SUPPLIED)

Determine hand of door. Prepare door and frame according to appropriate template.

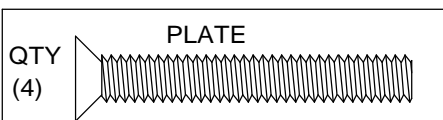
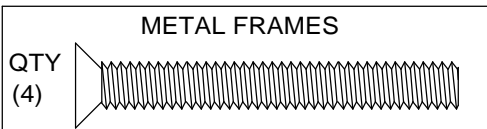
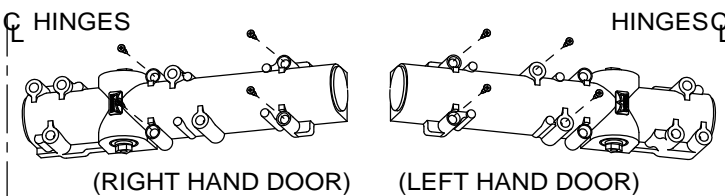


CAUTION: SEX NUTS ARE REQUIRED FOR ATTACHMENT OF COMPONENTS TO UNREINFORCED DOORS AND TO WOOD OR PLASTIC FACED COMPOSITE TYPE FIRE DOORS, UNLESS AN ALTERNATIVE METHOD IS IDENTIFIED IN THE INDIVIDUAL DOOR MANUFACTURER'S LISTINGS.

2 BP89 Plate applications only. Attach plate to door as shown. Arrow on plate to point toward arm attachment.



3 Attach closer to door or plate with sweep and latch valves facing hinges.

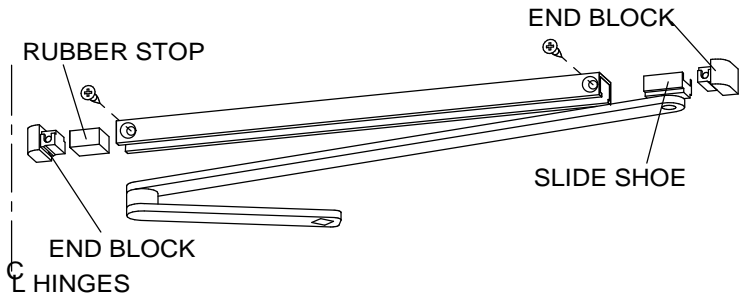


4 Assemble track and attach to frame.

NOTE: (A) MOUNTING SCREWS PASS THROUGH END BLOCKS.  
(B) RIGHT HAND SHOWN.

(TDE UNITS ONLY)

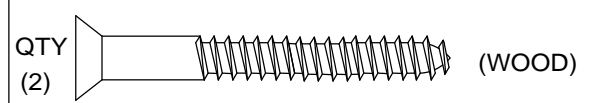
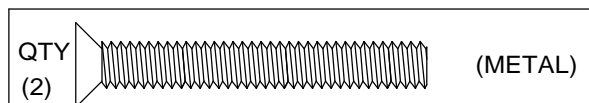
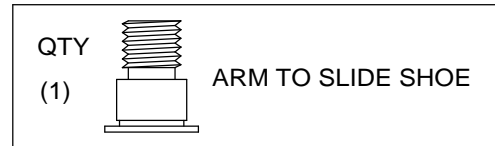
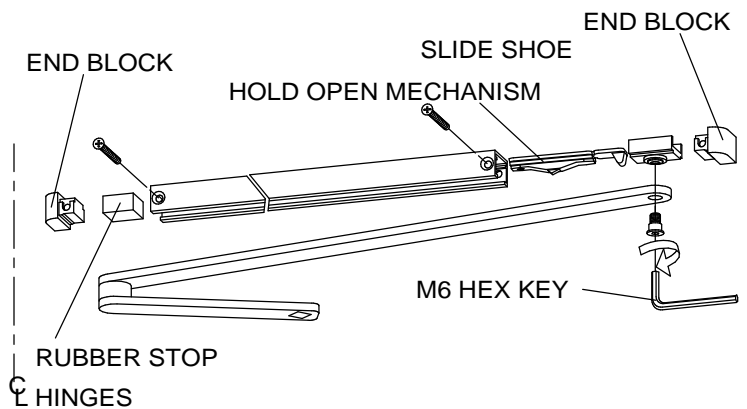
Insert slide shoe, rubber stop and end blocks into track and attach track to frame.



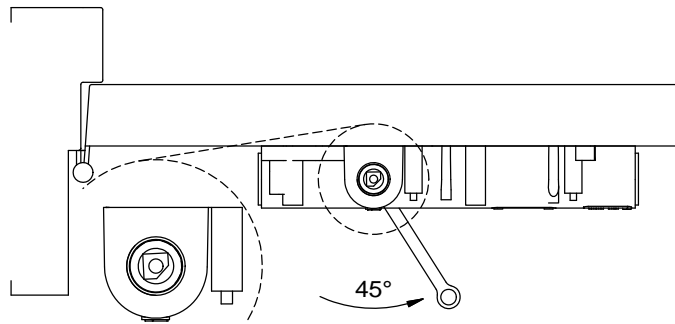
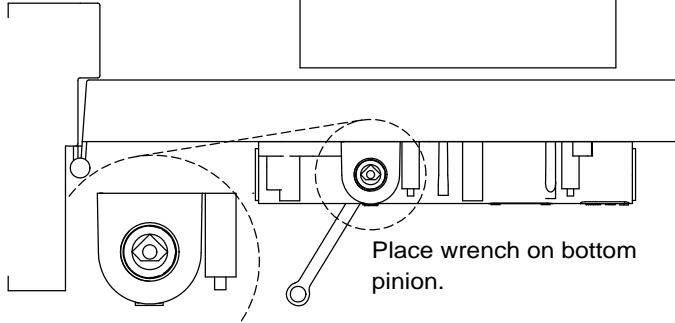
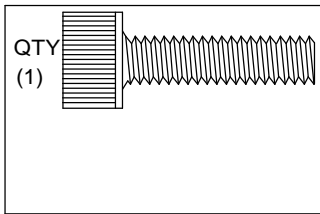
(TDEH UNITS ONLY)

Attach arm to slide shoe using screw supplied and tighten securely. Insert slide shoe, rubber stop, hold open mechanism, and end blocks into track and attach track to frame.

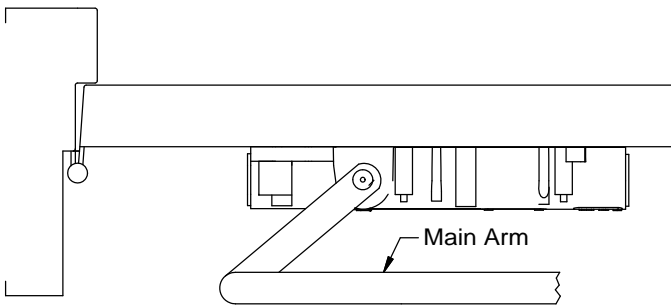
NOTE: HOLD OPEN MECHANISM AND SLIDE SHOE MUST BE INSTALLED WITH ARROWS POINTING AWAY FROM THE DOOR HINGES. (ARROWS ARE STAMPED ON SLIDE SHOE & HOLD OPEN MECHANISM)



5 Install main arm

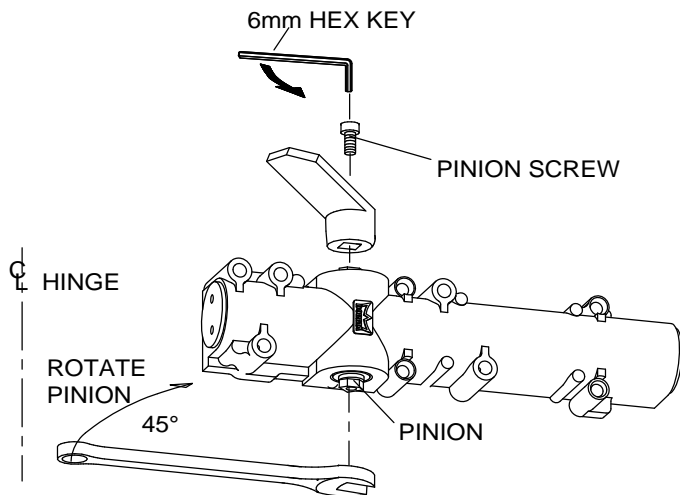


Rotate pinion 45° AWAY FROM HINGE edge of door.



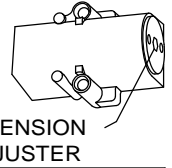
With main arm parallel to door, place main arm onto top pinion. Fasten securely with pinion

NOTE: RIGHT HAND DOOR INSTALLATION SHOWN. LEFT HAND IS A MIRROR IMAGE.



6 Adjust spring tension, if required, using a 1/4" wrench.  
NOTE: 8916 supplied with size 4 spring setting.  
8956 supplied with size 6 setting.

**CRITICAL**



**8916 ONLY**  
**BARRIER-FREE OPENINGS** - Take an opening force reading from the pull on the door. If required, adjust the spring tension to meet the barrier-free requirement. Maximum number of turns counter clockwise=8. Maximum number of turns clockwise =14. Depending on opening conditions, a door adjusted to meet barrier-free forces may not have sufficient power to reliably close and latch the door.

**NON-BARRIER-FREE OPENINGS** - Adjust according to chart.

CLOSER TYPE	DOOR WIDTH	FULL TURNS OF SPRING ADJUSTER	SPRING SIZE
	INTERIOR		
8916	2'-6"	0	4
	3'-0"	+4	5
	3'-6"	+12	6
8956	3'-6"	0	6
	4'-0"	+6	6+

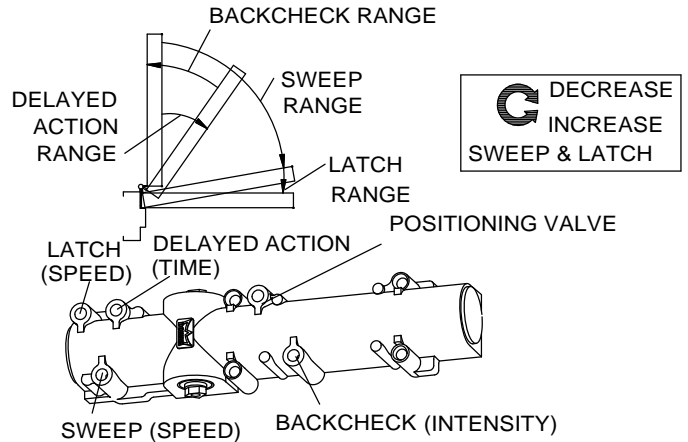
ULC LABELED UNITS ONLY  
ADJUST SPRING TENSION ACCORDING TO THE FOLLOWING CHART.

CLOSER TYPE	MAX. DOOR WEIGHT	SPRING SIZE	FULL TURNS OF SPRING ADJUSTING NUT
8916	125	4	0
	150	5	+4
	200	6	+12
8956	200	6	0
	250	6+	+6

7 Adjust sweep and latch valves.  
Closing time from 90° to 15° (sweep range) is generally adjusted to take a minimum of 3 seconds.  
Closing time from 15° to fully closed (latch range) should take a minimum of 1.5 seconds.

Optional delayed action offers additional closing speed control when extra time is required to pass through the door. All valve adjustments are made with a 3/32" hex key.

CAUTION: DO NOT REMOVE VALVES.

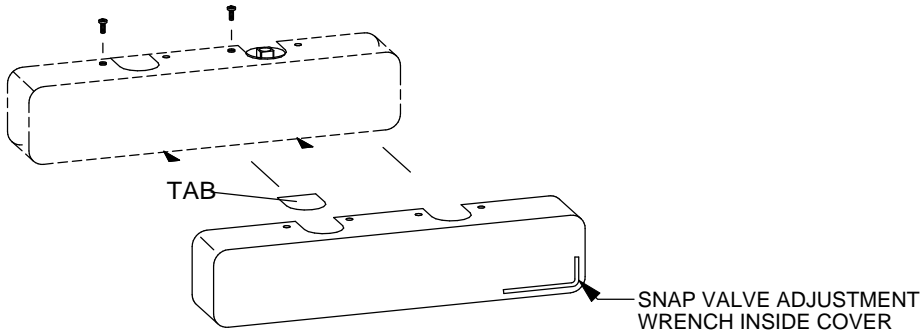


**INCREASE** BACKCHECK OR DELAYED ACTION  
**DECREASE**

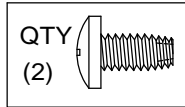
NOTE: DELAYED ACTION IS AN OPTIONAL FEATURE.

7

Place tab in cover slot opposite main arm.  
Place cover over closer and fasten securely with screws provided.



NOTE: LEFT HAND INSTALLATION SHOWN. RIGHT HAND IS A MIRROR IMAGE.



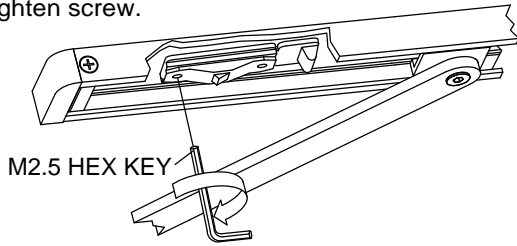
8

(HOLD OPEN UNITS ONLY)

Set hold open.

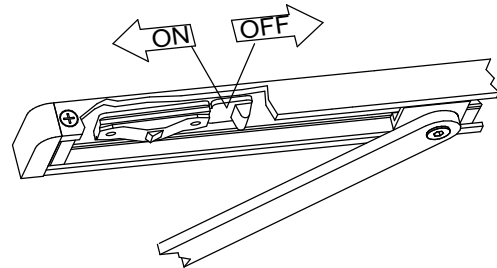
A

Place the hold open mechanism in desired position and tighten screw.



C

To enable hold open, push the white slide into the hold open mechanism.  
To disable hold open, pull the white slide away from hold open mechanism.



B

To adjust hold open force, turn clockwise to increase force, and counter clockwise to weaken force.

