



8570 Offset Timber Entrance Pull Handles

dormakaba's offset timber entrance pull handles epitomize the high quality ambitions of the dormakaba brand – designed for excellence down to the very last detail and exuding fine craftsmanship. They offer genuine quality, characterised by clearly defined features – irrespective of shape or size.

Created in solid, premium 316 Marine Grade Stainless Steel with timber sections allowing a warm natural hand feel and comfortable ease of use. With dormakaba's commitment to sustainability, the timber used on our entrance handles is FSC certified Victorian Ash. All metals used can be recycled at the end of the product life.

The 8570 entrance pull handles are an ideal choice for residential and commercial applications and are suitable for use on glass, timber and aluminium doors.

Please refer to ordering details for a range of optional accessories to suit:

- Back to back extended fixing for timber doors
- Back to back fixing for glass doors
- Disc fixing for timber doors
- Disc fixing for glass doors

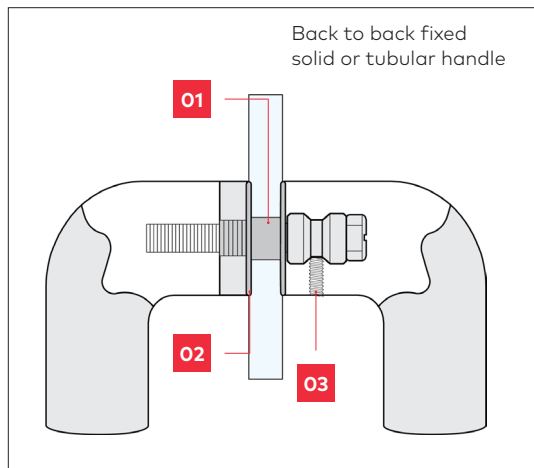
Features at a glance:

- 316 Marine Grade Stainless Steel
- Designed with your project's needs in mind
- High durability with concealed fixings
- Standard finishes: SSS and PSS
- Powdercoat and custom finishes available on request

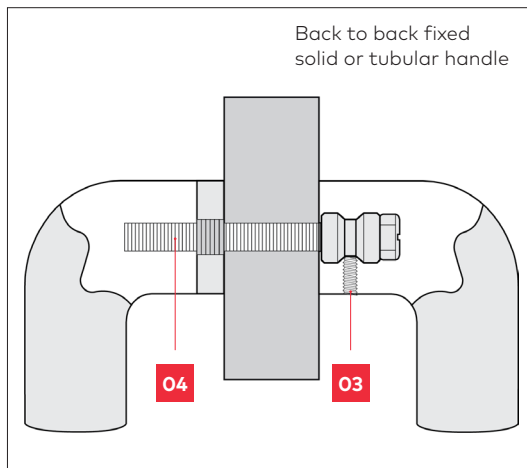
dormakaba Australia
Head Office
12-13 Dansu Court
Hallam VIC 3803
T: 1800 675 411
info.au@dormakaba.com
www.dormakaba.com.au

dormakaba New Zealand
Head Office
Building P, 61-69 Patiki Road
Avondale, Auckland 1026
T: 0800 436 762
info.nz@dormakaba.com
www.dormakaba.co.nz

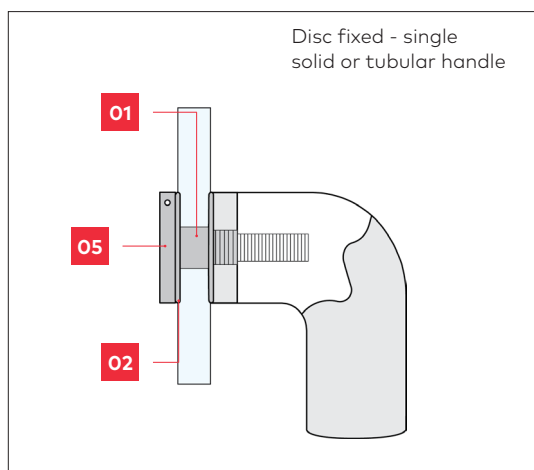
Fixing options



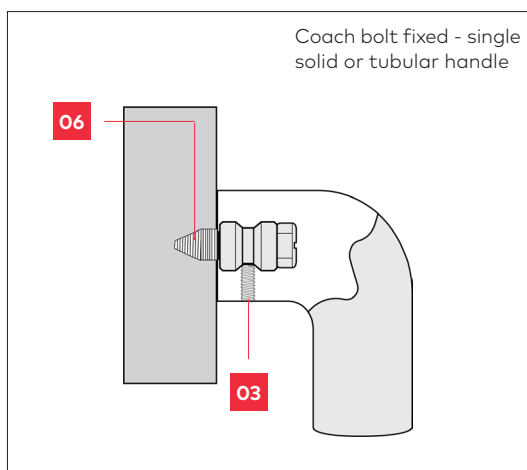
GD FIX - glass doors



TM FIX - timber or metal doors



D FIX - glass, metal or timber doors



C FIX - timber doors only

Note

Nylon spacers and washers are included with handle for glass door fixing option.

Legend

01 Spacer 03 Grub Screw 05 Disc
02 Washer 04 Bolt 06 Coach Bolt

TIMBER DOOR FIXING

Material Size	Bolt Size
14mm Ø	5mm
16mm Ø	5mm
19mm Ø	8mm
25mm Ø	8mm
32mm Ø	8mm

METAL DOOR FIXING

Material Size	Bolt Size
14mm Ø	5mm
16mm Ø	5mm
19mm Ø	8mm
25mm Ø	8mm
32mm Ø	8mm

GLASS DOOR FIXING

Material Size	Bolt Size
14mm Ø	12mm Ø
16mm Ø	12mm Ø
19mm Ø	12mm Ø
25mm Ø	12mm Ø
32mm Ø	12mm Ø

Ordering details

Item	Article Number	Description	Diameter	Projection	Overall Length	Fixing Centres
BACK TO BACK FIXING						
Note: 8570 series in sizes 2000mm to 2400mm will require a centre standoff						
B8570/A/32/PSS	9458579745142	B8570/A/32 OA 2400 CTC 2240 PSS	32mm	77mm	2400mm	2240mm
B8570/A/32/SSS	9458579745141	B8570/A/32 OA 2400 CTC 2240 SSS	32mm	77mm	2400mm	2240mm
B8570/B/32/PSS	9458579625142	B8570/B/32 OA 2300 CTC 2140 PSS	32mm	77mm	2300mm	2140mm
B8570/B/32/SSS	9458579805141	B8570/B/32 OA 2300 CTC 2140 SSS	32mm	77mm	2300mm	2140mm
B8570/C/32/PSS	9458579505142	B8570/C/32 OA 2200 CTC 2040 PSS	32mm	77mm	2200mm	2040mm
B8570/C/32/SSS	9458579505141	B8570/C/32 OA 2200 CTC 2040 SSS	32mm	77mm	2200mm	2040mm
B8570/D/32/PSS	9458579325142	B8570/D/32 OA 2100 CTC 1940 PSS	32mm	77mm	2100mm	1940mm
B8570/D/32/SSS	9458579325141	B8570/D/32 OA 2100 CTC 1940 SSS	32mm	77mm	2100mm	1940mm
B8570/E/32/PSS	9458579145142	B8570/E/32 OA 2000 CTC 1840 PSS	32mm	77mm	2000mm	1840mm
B8570/E/32/SSS	9458579145141	B8570/E/32 OA 2000 CTC 1840 SSS	32mm	77mm	2000mm	1840mm
B8570/F/32/PSS	9458578995142	B8570/F/32 OA 1900 CTC 1740 PSS	32mm	77mm	1900mm	1740mm
B8570/F/32/SSS	9458578995141	B8570/F/32 OA 1900 CTC 1740 SSS	32mm	77mm	1900mm	1740mm
B8570/G/32/PSS	9458578815142	B8570/G/32 OA 1800 CTC 1640 PSS	32mm	77mm	1800mm	1640mm
B8570/G/32/SSS	9458578815141	B8570/G/32 OA 1800 CTC 1640 SSS	32mm	77mm	1800mm	1640mm
B8570/H/32/PSS	9458578605142	B8570/H/32 OA 1700 CTC 1540 PSS	32mm	77mm	1700mm	1540mm
B8570/H/32/SSS	9458578605141	B8570/H/32 OA 1700 CTC 1540 SSS	32mm	77mm	1700mm	1540mm
B8570/I/32/PSS	9458578275142	B8570/I/32 OA 1600 CTC 1440 PSS	32mm	77mm	1600mm	1440mm
B8570/I/32/SSS	9458578275141	B8570/I/32 OA 1600 CTC 1440 SSS	32mm	77mm	1600mm	1440mm
B8570/J/32/PSS	9458577945142	B8570/J/32 OA 1500 CTC 1340 PSS	32mm	77mm	1500mm	1340mm
B8570/J/32/SSS	9458577945141	B8570/J/32 OA 1500 CTC 1340 SSS	32mm	77mm	1500mm	1340mm
B8570/K/32/PSS	9458577615142	B8570/K/32 OA 1400 CTC 1240 PSS	32mm	77mm	1400mm	1240mm
B8570/K/32/SSS	9458577615141	B8570/K/32 OA 1400 CTC 1240 SSS	32mm	77mm	1400mm	1240mm
B8570/L/32/PSS	9458577225142	B8570/L/32 OA 1300 CTC 1140 PSS	32mm	77mm	1300mm	1140mm
B8570/L/32/SSS	9458577225141	B8570/L/32 OA 1300 CTC 1140 SSS	32mm	77mm	1300mm	1140mm
B8570/M/32/PSS	9458576895142	B8570/M/32 OA 1200 CTC 1040 PSS	32mm	77mm	1200mm	1040mm
B8570/M/32/SSS	9458576895141	B8570/M/32 OA 1200 CTC 1040 SSS	32mm	77mm	1200mm	1040mm
B8570/N/32/PSS	9458576475142	B8570/N/32 OA 1100 CTC 940 PSS	32mm	77mm	1100mm	940mm
B8570/N/32/SSS	9458576475141	B8570/N/32 OA 1100 CTC 940 SSS	32mm	77mm	1100mm	940mm
B8570/O/32/PSS	9458576085142	B8570/O/32 OA 1000 CTC 840 PSS	32mm	77mm	1000mm	840mm
B8570/O/32/SSS	9458576085141	B8570/O/32 OA 1000 CTC 840 SSS	32mm	77mm	1000mm	840mm
B8570/P/32/PSS	9458575515142	B8570/P/32 OA 900 CTC 740 PSS	32mm	77mm	900mm	740mm
B8570/P/32/SSS	9458575515141	B8570/P/32 OA 900 CTC 740 SSS	32mm	77mm	900mm	740mm
B8570/Q/32/PSS	9458575065142	B8570/Q/32 OA 800 CTC 640 PSS	32mm	77mm	800mm	640mm
B8570/Q/32/SSS	9458575065141	B8570/Q/32 OA 800 CTC 640 SSS	32mm	77mm	800mm	640mm
B8570/R/32/PSS	9458574585142	B8570/R/32 OA 700 CTC 540 PSS	32mm	77mm	700mm	540mm
B8570/R/32/SSS	9458574585141	B8570/R/32 OA 700 CTC 540 SSS	32mm	77mm	700mm	540mm
B8570/S/32/PSS	9458573895142	B8570/S/32 OA 600 CTC 440 PSS	32mm	77mm	600mm	440mm
B8570/S/32/SSS	9458573895141	B8570/S/32 OA 600 CTC 440 SSS	32mm	77mm	600mm	440mm

Ordering details

Item	Article Number	Description	Diameter	Projection	Overall Length	Fixing Centres
B8570/T/32/PSS	9458573205142	B8570/T/32 OA 500 CTC 340 PSS	32mm	77mm	500mm	340mm
B8570/T/32/SSS	9458573205141	B8570/T/32 OA 500 CTC 340 SSS	32mm	77mm	500mm	340mm
B8570/U/32/PSS	9458572485142	B8570/U/32 OA 400 CTC 240 PSS	32mm	77mm	400mm	240mm
B8570/U/32/SSS	9458572485141	B8570/U/32 OA 400 CTC 240 SSS	32mm	77mm	400mm	240mm

ACCESSORIES - EXTENDED FIXINGS - sold as a pair

TM/M8/50	9459508058200	M8/50 FERULE HEAD BOLT TM FIX	Note: When ordering extended fixings please use the below formula. Door thickness + 20mm for the Ferule + 10mm in to the other handle = round up to the nearest size offered.
TM/M8/75	9459758078200	M8/75 FERULE HEAD BOLT TM FIX	
TM/M8/90	9400000012887	M8/90 BOLT & 16MM FERULE TM FIX	
TM/M8/100	9400000012888	M8/100 BOLT & 16MM FERULE TM FIX	
TM/M8/110	9459118118200	M8/110 BOLT & 16MM FERULE TM FIX	
TM/M8/120	9459128128200	M8/120 BOLT & 16MM FERULE TM FIX	
TM/M8/130	9459138138200	M8/130 BOLT & 16MM FERULE TM FIX	
TM/M8/150	9459158158200	M8/150 BOLT & 16MM FERULE TM FIX	

ACCESSORIES - GLASS FIXINGS - sold as a pair

GF32/M8/50 RND	9459503288301	32 DIA RND GLASS FIXING PAIRS
----------------	---------------	-------------------------------

CONCEALED FIXING

Note: 8570 series in sizes 2000mm to 2400mm will require a centre standoff						
C8570/A/32/PSS	9458579745242	C8570/A/32 OA 2400 CTC 2240 PSS	32mm	77mm	2400mm	2240mm
C8570/A/32/SSS	9458579745241	C8570/A/32 OA 2400 CTC 2240 SSS	32mm	77mm	2400mm	2240mm
C8570/B/32/PSS	9458579625242	C8570/B/32 OA 2300 CTC 2140 PSS	32mm	77mm	2300mm	2140mm
C8570/B/32/SSS	9458579625241	C8570/B/32 OA 2300 CTC 2140 SSS	32mm	77mm	2300mm	2140mm
C8570/C/32/PSS	9458579505242	C8570/C/32 OA 2200 CTC 2040 PSS	32mm	77mm	2200mm	2040mm
C8570/C/32/SSS	9458579505241	C8570/C/32 OA 2200 CTC 2040 SSS	32mm	77mm	2200mm	2040mm
C8570/D/32/PSS	9458579325242	C8570/D/32 OA 2100 CTC 1940 PSS	32mm	77mm	2100mm	1940mm
C8570/D/32/SSS	9458579325241	C8570/D/32 OA 2100 CTC 1940 SSS	32mm	77mm	2100mm	1940mm
C8570/E/32/PSS	9458579145242	C8570/E/32 OA 2000 CTC 1840 PSS	32mm	77mm	2000mm	1840mm
C8570/E/32/SSS	9458579145241	C8570/E/32 OA 2000 CTC 1840 SSS	32mm	77mm	2000mm	1840mm
C8570/F/32/PSS	9458578995242	C8570/F/32 OA 1900 CTC 1740 PSS	32mm	77mm	1900mm	1740mm
C8570/F/32/SSS	9458578995241	C8570/F/32 OA 1900 CTC 1740 SSS	32mm	77mm	1900mm	1740mm
C8570/G/32/PSS	9458578815242	C8570/G/32 OA 1800 CTC 1640 PSS	32mm	77mm	1800mm	1640mm
C8570/G/32/SSS	9458578815241	C8570/G/32 OA 1800 CTC 1640 SSS	32mm	77mm	1800mm	1640mm
C8570/H/32/PSS	9458578605242	C8570/H/32 OA 1700 CTC 1540 PSS	32mm	77mm	1700mm	1540mm
C8570/H/32/SSS	9458578605241	C8570/H/32 OA 1700 CTC 1540 SSS	32mm	77mm	1700mm	1540mm
C8570/I/32/PSS	9458578275242	C8570/I/32 OA 1600 CTC 1440 PSS	32mm	77mm	1600mm	1440mm
C8570/I/32/SSS	9458578275241	C8570/I/32 OA 1600 CTC 1440 SSS	32mm	77mm	1600mm	1440mm
C8570/J/32/PSS	9458577945242	C8570/J/32 OA 1500 CTC 1340 PSS	32mm	77mm	1500mm	1340mm
C8570/J/32/SSS	9458577945241	C8570/J/32 OA 1500 CTC 1340 SSS	32mm	77mm	1500mm	1340mm
C8570/K/32/PSS	9458577615242	C8570/K/32 OA 1400 CTC 1240 PSS	32mm	77mm	1400mm	1240mm
C8570/K/32/SSS	9458577615241	C8570/K/32 OA 1400 CTC 1240 SSS	32mm	77mm	1400mm	1240mm

Ordering details

Item	Article Number	Description	Diameter	Projection	Overall Length	Fixing Centres
C8570/L/32/PSS	9458577225242	C8570/L/32 OA 1300 CTC 1140 PSS	32mm	77mm	1300mm	1140mm
C8570/L/32/SSS	9458577225241	C8570/L/32 OA 1300 CTC 1140 SSS	32mm	77mm	1300mm	1140mm
C8570/M/32/PSS	9458576895242	C8570/M/32 OA 1200 CTC 1040 PSS	32mm	77mm	1200mm	1040mm
C8570/M/32/SSS	9458576895241	C8570/M/32 OA 1200 CTC 1040 SSS	32mm	77mm	1200mm	1040mm
C8570/N/32/PSS	9458576475242	C8570/N/32 OA 1100 CTC 940 PSS	32mm	77mm	1100mm	940mm
C8570/N/32/SSS	9458576475241	C8570/N/32 OA 1100 CTC 940 SSS	32mm	77mm	1100mm	940mm
C8570/O/32/PSS	9458576085242	C8570/O/32 OA 1000 CTC 840 PSS	32mm	77mm	1000mm	840mm
C8570/O/32/SSS	9458576085241	C8570/O/32 OA 1000 CTC 840 SSS	32mm	77mm	1000mm	840mm
C8570/P/32/PSS	9458575515242	C8570/P/32 OA 900 CTC 740 PSS	32mm	77mm	900mm	740mm
C8570/P/32/SSS	9458575515241	C8570/P/32 OA 900 CTC 740 SSS	32mm	77mm	900mm	740mm
C8570/Q/32/PSS	9458575065242	C8570/Q/32 OA 800 CTC 640 PSS	32mm	77mm	800mm	640mm
C8570/Q/32/SSS	9458575065241	C8570/Q/32 OA 800 CTC 640 SSS	32mm	77mm	800mm	640mm
C8570/R/32/PSS	9458574585242	C8570/R/32 OA 700 CTC 540 PSS	32mm	77mm	700mm	540mm
C8570/R/32/SSS	9458574585241	C8570/R/32 OA 700 CTC 540 SSS	32mm	77mm	700mm	540mm
C8570/S/32/PSS	9458573895242	C8570/S/32 OA 600 CTC 440 PSS	32mm	77mm	600mm	440mm
C8570/S/32/SSS	9458573895241	C8570/S/32 OA 600 CTC 440 SSS	32mm	77mm	600mm	440mm
C8570/T/32/PSS	9458573205242	C8570/T/32 OA 500 CTC 340 PSS	32mm	77mm	500mm	340mm
C8570/T/32/SSS	9458573205241	C8570/T/32 OA 500 CTC 340 SSS	32mm	77mm	500mm	340mm
C8570/U/32/PSS	9458572485242	C8570/U/32 OA 400 CTC 240 PSS	32mm	77mm	400mm	240mm
C8570/U/32/SSS	9458572485241	C8570/U/32 OA 400 CTC 240 SSS	32mm	77mm	400mm	240mm

DISC FIXING						
Note: 8570 series in sizes 2000mm to 2400mm will require a centre standoff						
D8570/A/32/PSS	9458579745342	D8570/A/32 OA 2400 CTC 2240 PSS	32mm	77mm	2400mm	2240mm
D8570/A/32/SSS	9458579745341	D8570/A/32 OA 2400 CTC 2240 SSS	32mm	77mm	2400mm	2240mm
D8570/B/32/PSS	9458579625342	D8570/B/32 OA 2300 CTC 2140 PSS	32mm	77mm	2300mm	2140mm
D8570/B/32/SSS	9458579625341	D8570/B/32 OA 2300 CTC 2140 SSS	32mm	77mm	2300mm	2140mm
D8570/C/32/PSS	9458579505342	D8570/C/32 OA 2200 CTC 2040 PSS	32mm	77mm	2200mm	2040mm
D8570/C/32/SSS	9458579505341	D8570/C/32 OA 2200 CTC 2040 SSS	32mm	77mm	2200mm	2040mm
D8570/D/32/PSS	9458579325342	D8570/D/32 OA 2100 CTC 1940 PSS	32mm	77mm	2100mm	1940mm
D8570/D/32/SSS	9458579325341	D8570/D/32 OA 2100 CTC 1940 SSS	32mm	77mm	2100mm	1940mm
D8570/E/32/PSS	9458579145342	D8570/E/32 OA 2000 CTC 1840 PSS	32mm	77mm	2000mm	1840mm
D8570/E/32/SSS	9458579145341	D8570/E/32 OA 2000 CTC 1840 SSS	32mm	77mm	2000mm	1840mm
D8570/F/32/PSS	9458578995342	D8570/F/32 OA 1900 CTC 1740 PSS	32mm	77mm	1900mm	1740mm
D8570/F/32/SSS	9458578995341	D8570/F/32 OA 1900 CTC 1740 SSS	32mm	77mm	1900mm	1740mm
D8570/G/32/PSS	9458578815342	D8570/G/32 OA 1800 CTC 1640 PSS	32mm	77mm	1800mm	1640mm
D8570/G/32/SSS	9458578815341	D8570/G/32 OA 1800 CTC 1640 SSS	32mm	77mm	1800mm	1640mm
D8570/H/32/PSS	9458578605342	D8570/H/32 OA 1700 CTC 1540 PSS	32mm	77mm	1700mm	1540mm
D8570/H/32/SSS	9458578605341	D8570/H/32 OA 1700 CTC 1540 SSS	32mm	77mm	1700mm	1540mm

Ordering details

Item	Article Number	Description	Diameter	Projection	Overall Length	Fixing Centres
D8570/I/32/PSS	9458578275342	D8570/I/32 OA 1600 CTC 1440 PSS	32mm	77mm	1600mm	1440mm
D8570/I/32/SSS	9458578275341	D8570/I/32 OA 1600 CTC 1440 SSS	32mm	77mm	1600mm	1440mm
D8570/J/32/PSS	9458577945342	D8570/J/32 OA 1500 CTC 1340 PSS	32mm	77mm	1500mm	1340mm
D8570/J/32/SSS	9458577945341	D8570/J/32 OA 1500 CTC 1340 SSS	32mm	77mm	1500mm	1340mm
D8570/K/32/PSS	9458577615342	D8570/K/32 OA 1400 CTC 1240 PSS	32mm	77mm	1400mm	1240mm
D8570/K/32/SSS	9458577615341	D8570/K/32 OA 1400 CTC 1240 SSS	32mm	77mm	1400mm	1240mm
D8570/L/32/PSS	9458577225342	D8570/L/32 OA 1300 CTC 1140 PSS	32mm	77mm	1300mm	1140mm
D8570/L/32/SSS	9458577225341	D8570/L/32 OA 1300 CTC 1140 SSS	32mm	77mm	1300mm	1140mm
D8570/M/32/PSS	9458576895342	D8570/M/32 OA 1200 CTC 1040 PSS	32mm	77mm	1200mm	1040mm
D8570/M/32/SSS	9458576895341	D8570/M/32 OA 1200 CTC 1040 SSS	32mm	77mm	1200mm	1040mm
D8570/N/32/PSS	9458576475342	D8570/N/32 OA 1100 CTC 940 PSS	32mm	77mm	1100mm	940mm
D8570/N/32/SSS	9458576475341	D8570/N/32 OA 1100 CTC 940 SSS	32mm	77mm	1100mm	940mm
D8570/O/32/PSS	9458576085342	D8570/O/32 OA 1000 CTC 840 PSS	32mm	77mm	1000mm	840mm
D8570/O/32/SSS	9458576085341	D8570/O/32 OA 1000 CTC 840 SSS	32mm	77mm	1000mm	840mm
D8570/P/32/PSS	9458575515342	D8570/P/32 OA 900 CTC 740 PSS	32mm	77mm	900mm	740mm
D8570/P/32/SSS	9458575515341	D8570/P/32 OA 900 CTC 740 SSS	32mm	77mm	900mm	740mm
D8570/Q/32/PSS	9458575065342	D8570/Q/32 OA 800 CTC 640 PSS	32mm	77mm	800mm	640mm
D8570/Q/32/SSS	9458575065341	D8570/Q/32 OA 800 CTC 640 SSS	32mm	77mm	800mm	640mm
D8570/R/32/PSS	9458574585342	D8570/R/32 OA 700 CTC 540 PSS	32mm	77mm	700mm	540mm
D8570/R/32/SSS	9458574585341	D8570/R/32 OA 700 CTC 540 SSS	32mm	77mm	700mm	540mm
D8570/S/32/PSS	9458573895342	D8570/S/32 OA 600 CTC 440 PSS	32mm	77mm	600mm	440mm
D8570/S/32/SSS	9458573895341	D8570/S/32 OA 600 CTC 440 SSS	32mm	77mm	600mm	440mm
D8570/T/32/PSS	9458573205342	D8570/T/32 OA 500 CTC 340 PSS	32mm	77mm	500mm	340mm
D8570/T/32/SSS	9458573205341	D8570/T/32 OA 500 CTC 340 SSS	32mm	77mm	500mm	340mm
D8570/U/32/PSS	9458572485342	D8570/U/32 OA 400 CTC 240 PSS	32mm	77mm	400mm	240mm
D8570/U/32/SSS	9458572485341	D8570/U/32 OA 400 CTC 240 SSS	32mm	77mm	400mm	240mm
ACCESSORIES - DISC FIXINGS - sold as a pair						
DF32/M8/75 PSS	9459753288102	32MM DISK FIX PAIR M8X75MM PSS				
DF32/M8/75 SSS	9400000014109	32MM DISK FIX PAIR M8X75MM SSS				
ACCESSORIES - GLASS FIXINGS - sold as a pair						
GDF32/M8/50 PSS	9459503288102	32MM GLASS DISK FIX PSS PAIR M8X50MM				
GDF32/M8/50 SSS	9459503288101	32MM GLASS DISK FIX SSS PAIR M8X50MM				