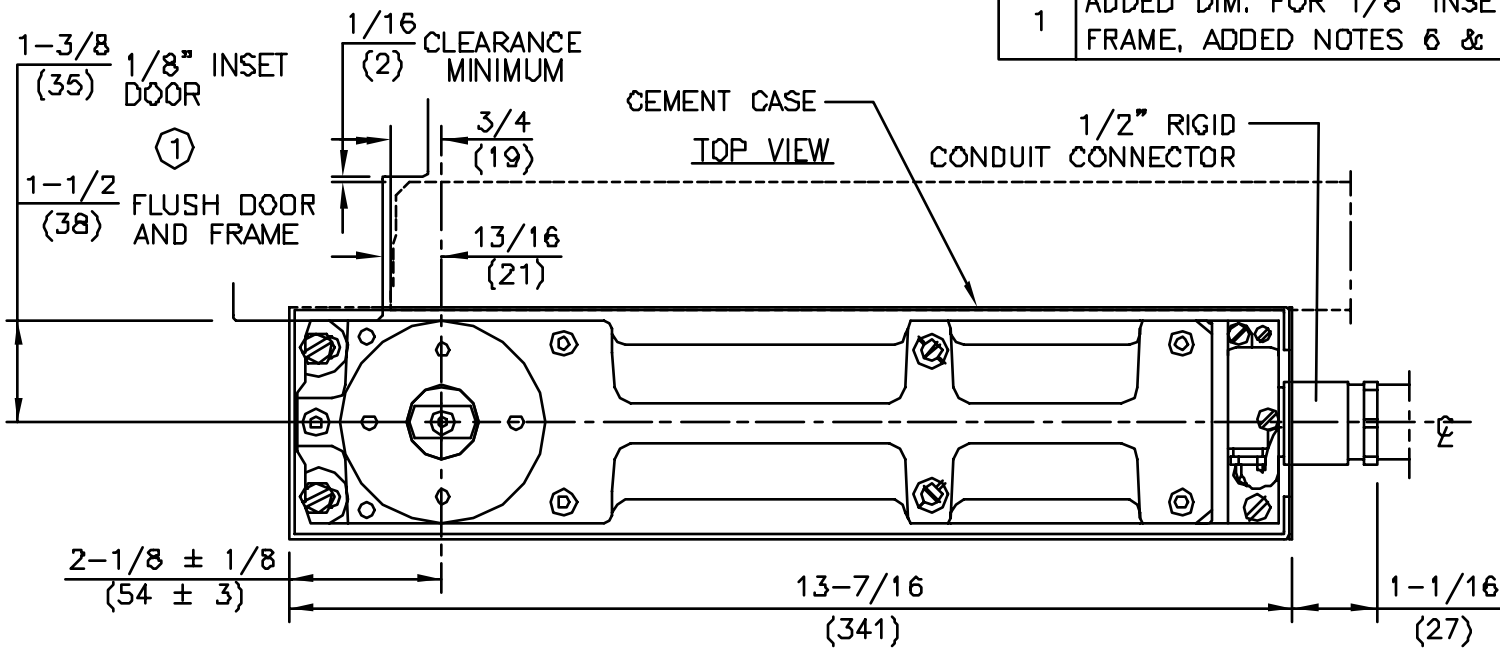
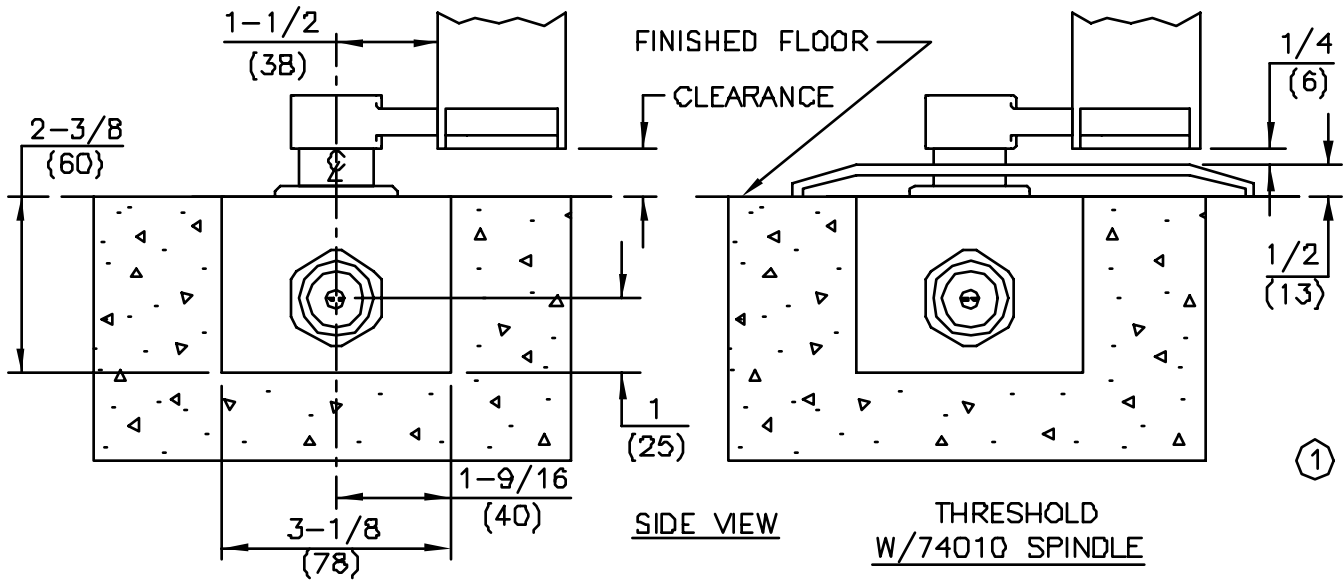


No.	REVISIONS	DATE
1	ADDED DIM. FOR 1/8" INSET OR FLUSH DOOR & FRAME, ADDED NOTES 6 & 7	5/27/92



SPINDLE NO.	CLEARANCE
74003	5/16"
74005	1/2"
74007	5/8"
(STD.) 74010	3/4"
74012	13/16"
74015	7/8"
74020	1-1/8"
74025	1-5/16"
74030	1-1/2"
74035	1-11/16"
74040	1-7/8"
74045	2-1/16"
74050	2-5/16"



- NOTES
- DO NOT SCALE DRAWING.
 - TOP OF CEMENT CASE MUST BE FLUSH WITH FINISH FLOOR LINE.
 - CEMENT CASE MUST BE LEVEL AND PARALLEL TO FRAME.
 - INSTALL CEMENT CASE WITH CLOSER CENTERED IN CASE.
 - 1/2" RIGID CONDUIT BY OTHERS.
 - 1/8" INSET INSTALLATION SHOWN.
 - DIMENSIONS ARE IN INCHES/(MM).

FLOOR CLOSER MODELS: BTS 80EMB/C
 1-1/2" OFFSET
 CEMENT CASE PLACEMENT



DORMA Architectural Hardware
 REAMSTOWN, PENNSYLVANIA 17567
 TEMPLATE No. BTS-57 (1)