

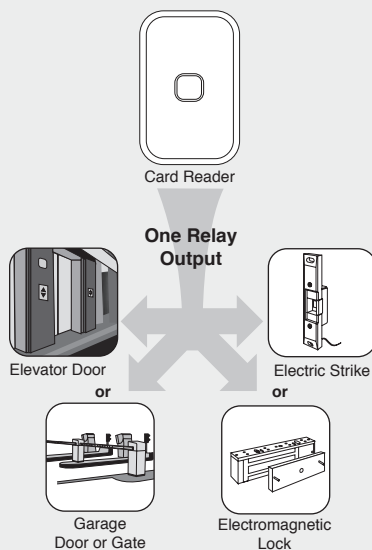
Saflok SR™ Series RFID (RCU/ECU)



SR1



SR2



Overview

The Saflok SR Series RFID reader is a device that operates perimeter access hardware such as elevator, parking entrances or any other door requiring an electric strike or electro-magnetic lock. Offering a sleek minimalist design that will suit any property décor, the SR Series functions with Saflok Messenger Lens and System 6000.

Models

- SR1: ideal for surface mount or mounting on aluminum door frame
- SR2: intended for flush mount installation

Applications

- Remote access points - elevator, parking entrance, outdoor swimming pool
- Locking devices - electric strike, magnetic lock

Features:

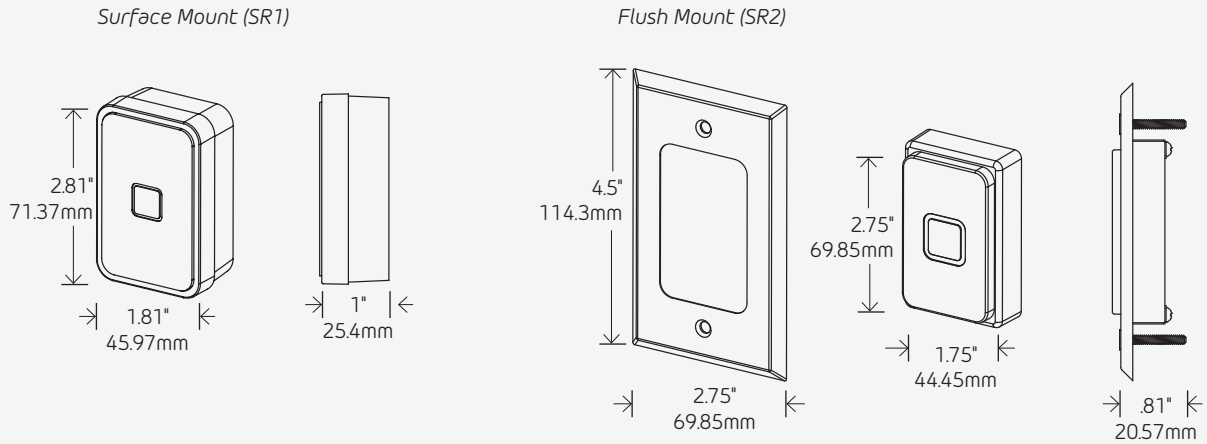
- Improved tamper resistance
- Ability to easily integrate into any System 6000™ design
- Environmentally sealed contactless smart card reader protects against climate extremes, which is an especially vital feature for common access readers placed in external building and exit device applications
- Compatible with Messenger LENS
- Optionally equipped with the Messenger™ transceiver for centralized access control
- LED lights displayed behind acrylic reader lens
- Contactless smart card reader uses industry-standard Mifare ISO 14443A communication platform and high-security protocol
- Programmable auto latch/unlatch feature eliminates need for manual dogging
- Auditable entries/attempts
- Selectable master key access
- Restricts access to guest keys after check-out date

Reader and Controller Box Dimensions:

Single Metal Gang Box:	3.03"H x 3.51" D x 1.97" W (76.96 H x 89.15 D x 50 W mm)
Metal Controller Box:	3"H x 3.5"D x 3.77" W (76.2 H x 89 D x 95.76 W mm)
Plastic Controller Box:	4-1/8"H x 2-29/32" D x 4-5/32" W (104.78 H x 73.82 D x 105.57 W mm)

Reader Dimensions and Weight:

Contactless Reader (Surface Mount):	1.81" W x 2.81" H x 1" D (46 W x 71 H x 25 D mm), 0.1 lbs (0.05 kg)
Contactless Reader (Flush Mount):	1.75" W x 2.75" H x .81" D (44W x 70 H x 21 D mm), 0.2 lbs (0.10 kg)



Specifications:

- Voltage: 12-24 VAC or VDC
- SPDT 5A@30VDC relay with common, normally open and normally closed contacts

Certification

- Certified to the UL294 standard
- Certified to the CSA 22.2 No. 205 standard
- Interfaces with fire panels meeting NFPA 101 fire access alarm standard
- Meets FCC and CE requirements