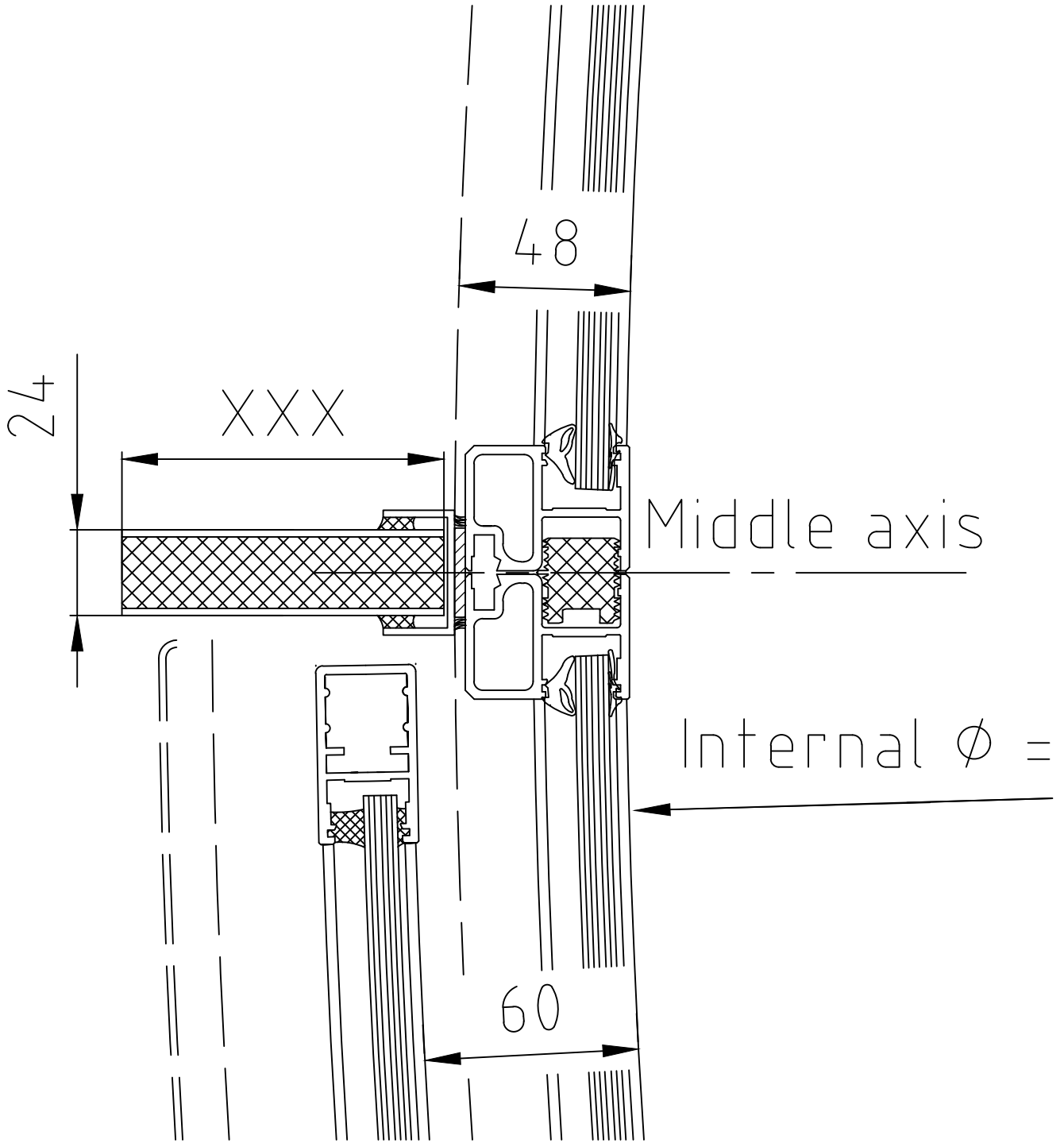



All contents given by this drawing and all needed semi-finished materials and auxiliary materials must be produced, processed, machined and finished in compliance to the REGULATION OF THE EUROPEAN PARLIAMENT AND COUNCIL CONCERNING THE REGISTRATION, EVALUATION, AUTHORIZATION AND RESTRICTION OF CHEMICALS (REACH) and the EUROPEAN UNION DIRECTIVE ON THE RESTRICTION OF THE USE OF CERTAIN HAZARDOUS SUBSTANCES IN ELECTRICAL AND ELECTRONIC EQUIPMENT (ROHS).

The reproduction, distribution and utilization of this document as well as the communication of its contents to others without explicit authorization is prohibited. Offenders will be held liable for the payment of damages. All rights reserved in the event of a patent, utility model or design.



Status: SERIAL PRODUCTION		Building Project / Commission:		Drawing Approval		
Modification						
		Customer:		Date / Name / Stamp		
		Sales Number:				
		Product:				
		Tolerances ISO 2768 part 1 and part 2, Tol.-cl. K				
		Drawn by:		Material:	Seller:	
		Checked by:			Made from:	
		Scale	Title:		No.: 9501902604700	
dormakaba 		KTV 3;4, Integrated sensors			Format: A4	Sheet: