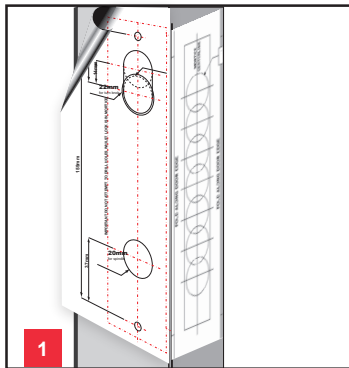
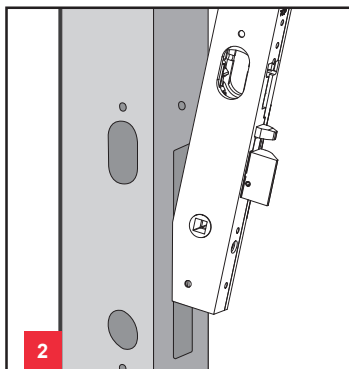


6400/6500 Series

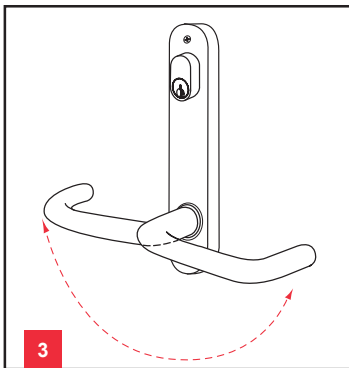
Door Furniture Template and Fitting Instructions



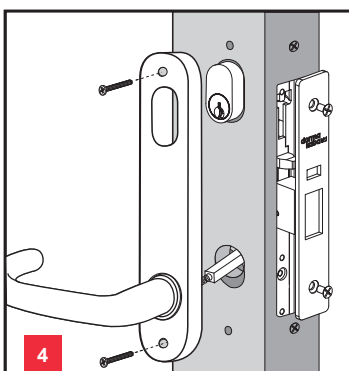
1. This template applies to bolt through fix lock/latch with a 23mm backset. Position template and mark out drilling centres. **Important** also refer to lock manufacturer's template prior to drilling.



2. **Important** do not attempt to drill holes whilst lock is in mortice. Drill the 4.5mm fixing holes half way through the door and repeat on the other side, with the holes meeting in the middle of the door. Drill other holes that are required to match function of plates.



3. **Non handed levers**
To change handing rotate lever 180°.



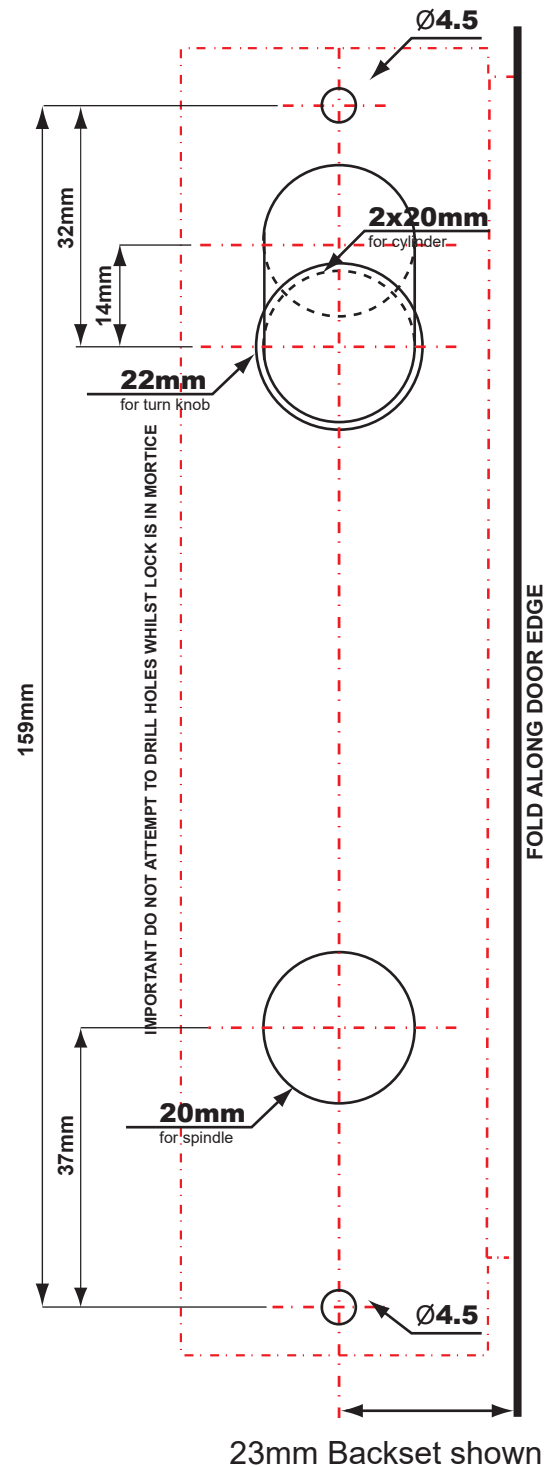
4. Insert spindle and spring supplied with lever to both sides of the door (spring locates fully into lever). Determine the correct screw length to suit the door thickness then cut screws.



5. Install furniture to the door. Do not over tighten screws with excessive tension on power driver as this may damage screws and void warranty.

6400/6500 Series

Door Furniture Template



Paper templates might distort due to air moisture. Only the indicated measurements are therefore obligatory.