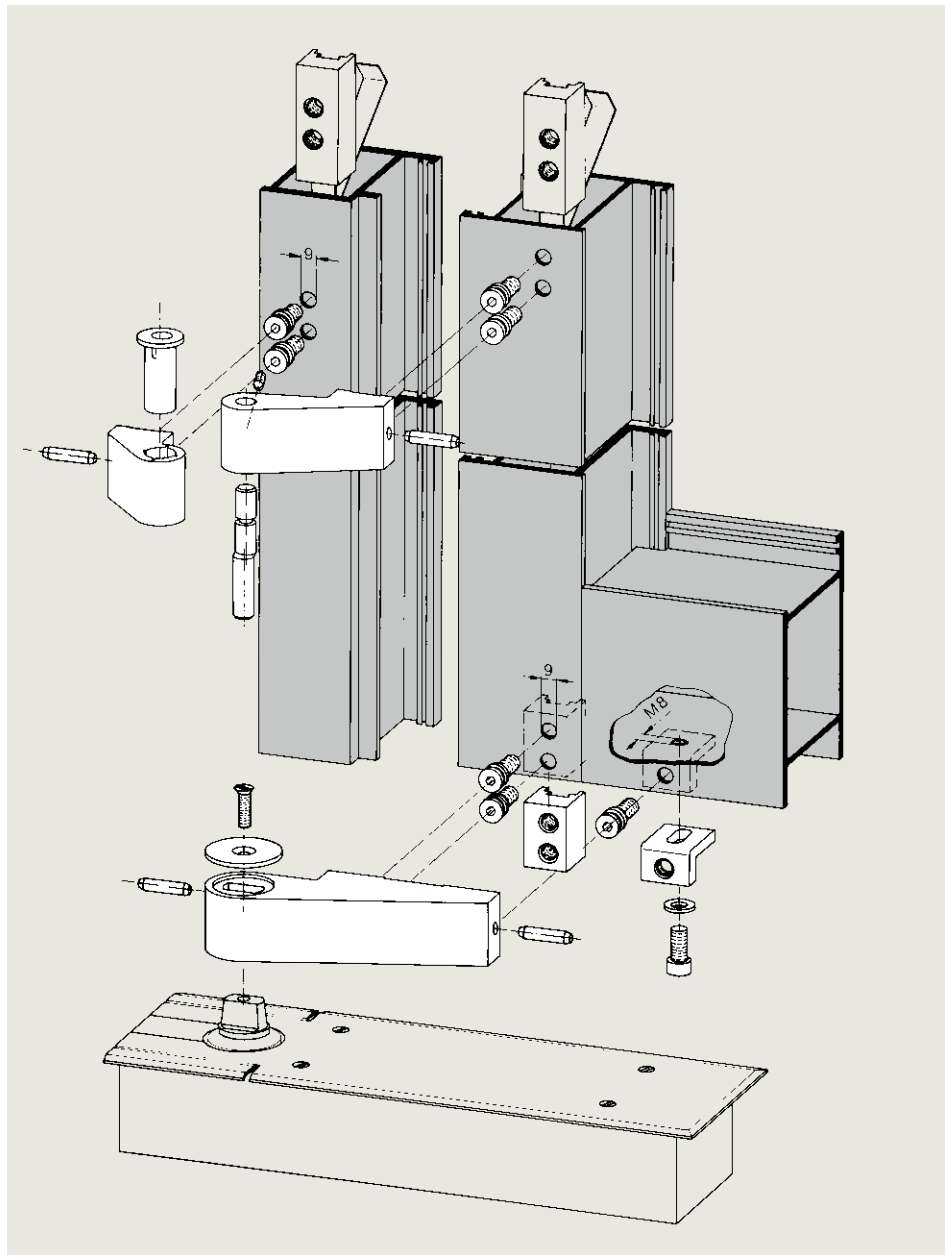


Accessories for Floor Spring

For aluminium mechanical stop doors

Light-metal door levers

- For flush-mounted single action doors of the various systems.
- Door width up to 1,200 mm, door weight up to 120 kg.
- For DIN-L and DIN-R doors.
- Simple installation – no milling work required, just four holes.
- Easy mounting thanks to wedge connections.
- Robust and secure connection through lining plate and reinforcement bracket.
- Load-carrying, heavy-duty connection to the door closer flat axis through pressed-in steel insert.
- LM door hinge available through third party supplier.



Installation example: dormakaba LM door hinge, 36 mm, and dormakaba LM door lever with dormakaba BTS door closer (alternatively dormakaba door bearing).

dormakaba LM door lever

Item no. 7459

Silver-coloured
(EV 1, Euras C-0)

Order no. 45010409

Special colours on request.

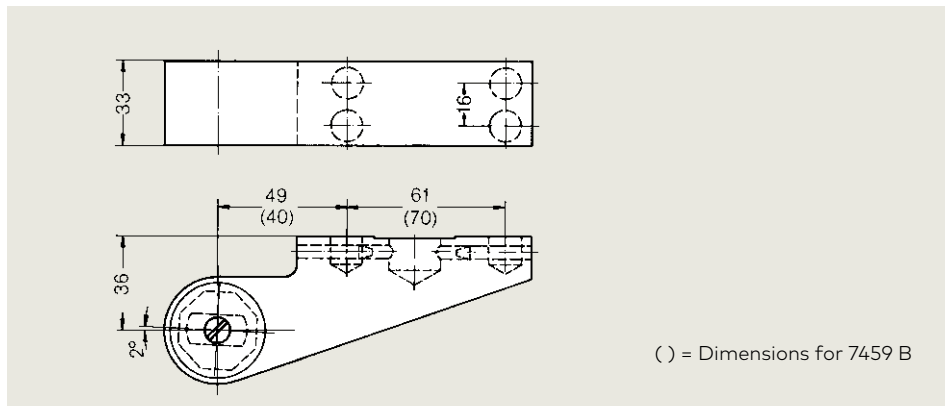
dormakaba LM door lever

Item no. 7459 B

Silver-coloured
(EV 1, Euras C-0)

Order no. 45010482

Special colours on request.



() = Dimensions for 7459 B

Built-in door levers

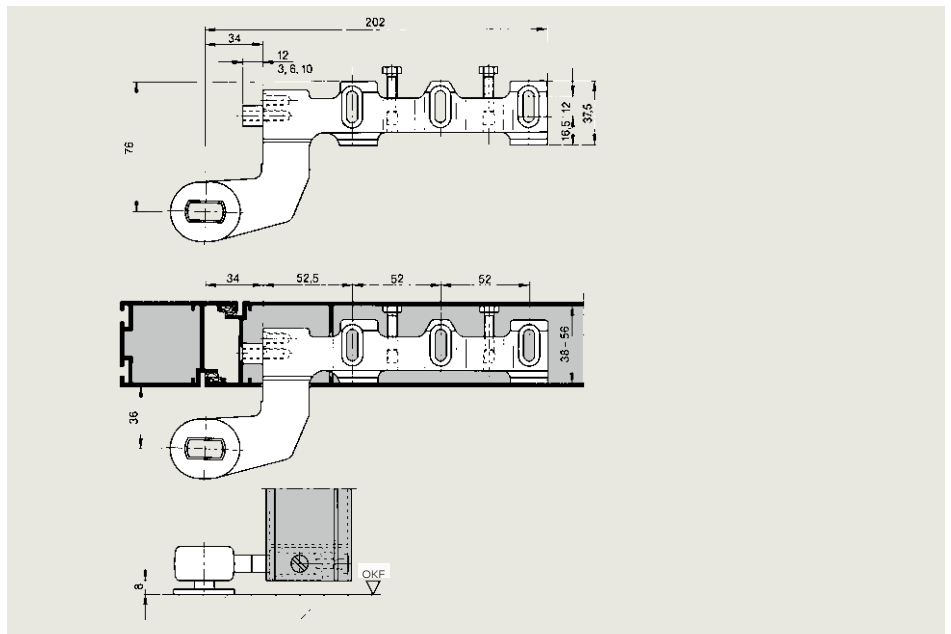
Item no. 7456/1

Made of die-forged steel; adjustable to the different profile systems, for DIN-L and DIN-R doors.

Order no. 45010006

Cover caps

See pages 4 and 5, item no. 7481 and 7482.



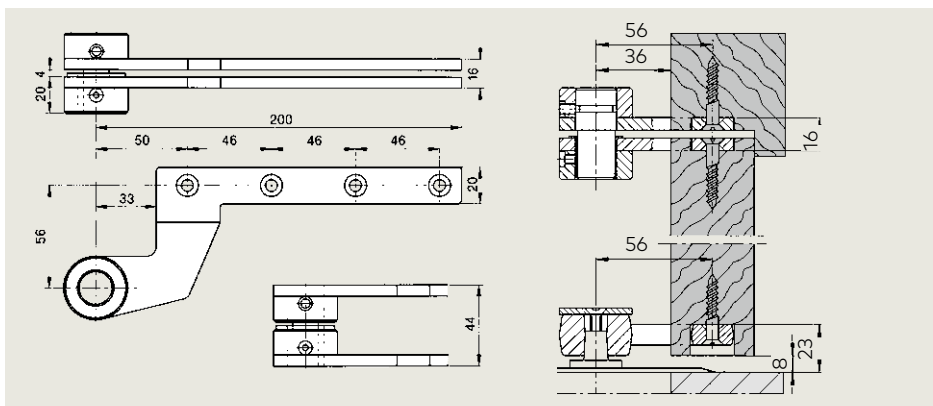
For single-action timber doors (flush-closing)

Pivot hinge pair

Item no. 7411 K/56

Made of galvanised steel; with eccentric bolts and eccentric plastic bushing to align the door after installation (± 2 mm adjustment); for DIN-L and DIN-R doors.

Order no. 45300016

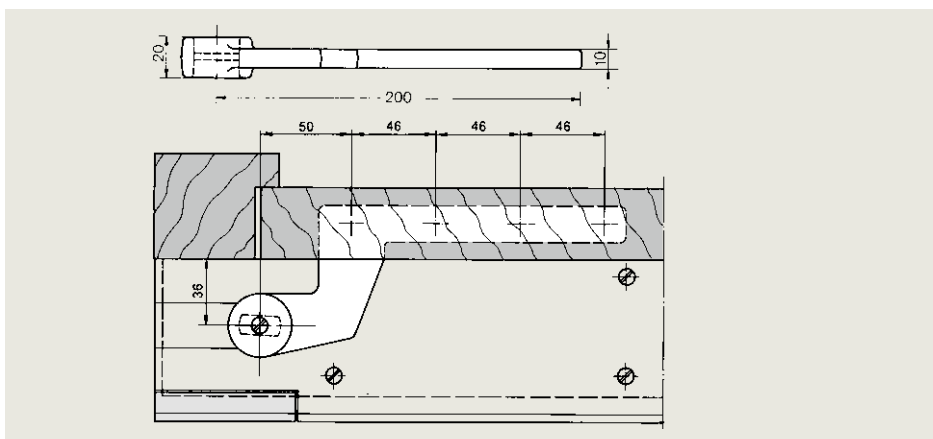


Door levers

Item no. 7411/56

Made of die-forged, galvanised steel.

Order no. 45010003



Cover disk for door lever

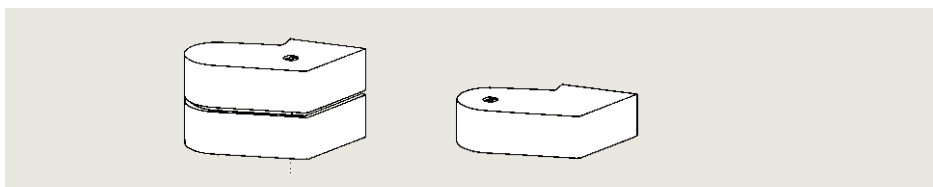
Item no. 7432

Made of stainless steel.

Order no. 1167100000

Cover caps

for pivot hinge pairs and door levers



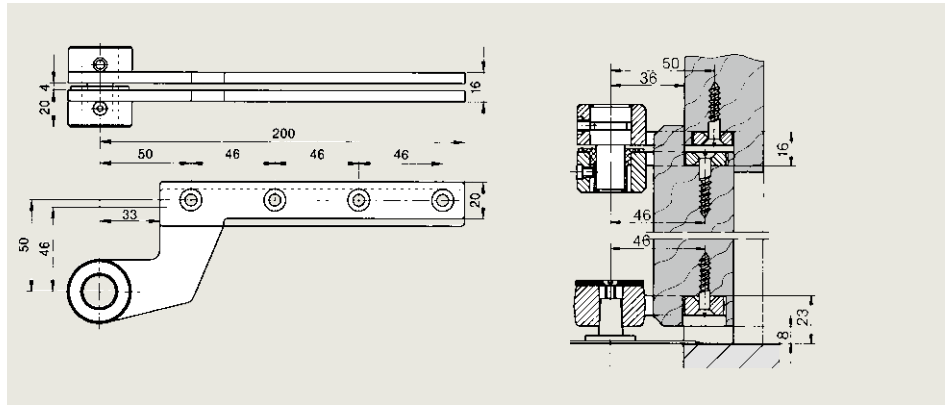
Version	Order no. for cover caps		
	for pivot hinge pairs, two-piece	for door levers, one-piece	
		DIN-L door	DIN-R door
Gravity die-cast aluminium Item no. 7483/7481			
Suitable for anodizing	45500301	45055300	45051300
Silver-coloured (EV 1, Euras C-0)	45500401	45055400	45051400

For single-action timber doors (rebated)

Pivot hinge pair

Item no. 7411 K/46

Made of galvanised steel; with eccentric bolts and eccentric plastic bushing to align the door after installation (± 2 mm adjustment);
DIN-L doors: Order no. 45305015
DIN-R doors: Order no. 45301015

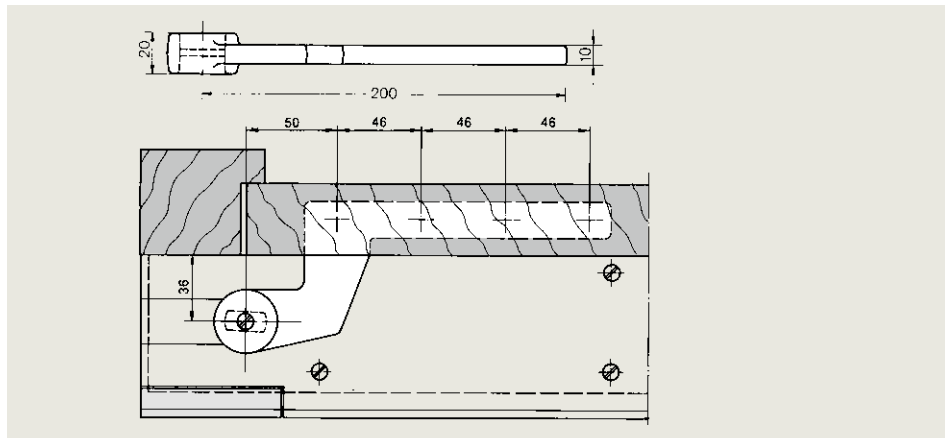


Door levers

Item no. 7411/46

Made of die-forged, galvanised steel.

Order no. 45010000

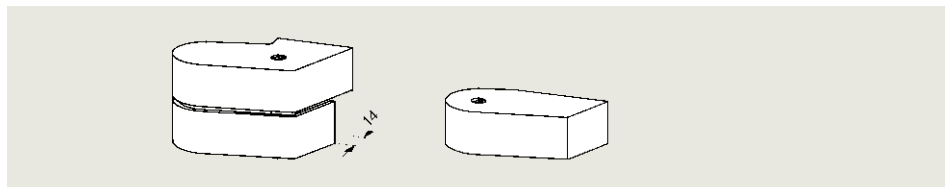


Cover disk for door lever

Item no. 7432

Made of stainless steel.

Order no. 1167100000



Cover caps

for pivot hinge pairs and door levers

Version	Order no. for cover caps			
	for pivot hinge pairs, two-piece		for door levers, one-piece	
	DIN-L door	DIN-R door	DIN-L door	DIN-R door
Gravity die-cast aluminium Item no. 7484/7482 Silver-coloured (EV 1, Euras C-0)	45505400	45501400	45055401	45051401

For single-action steel doors

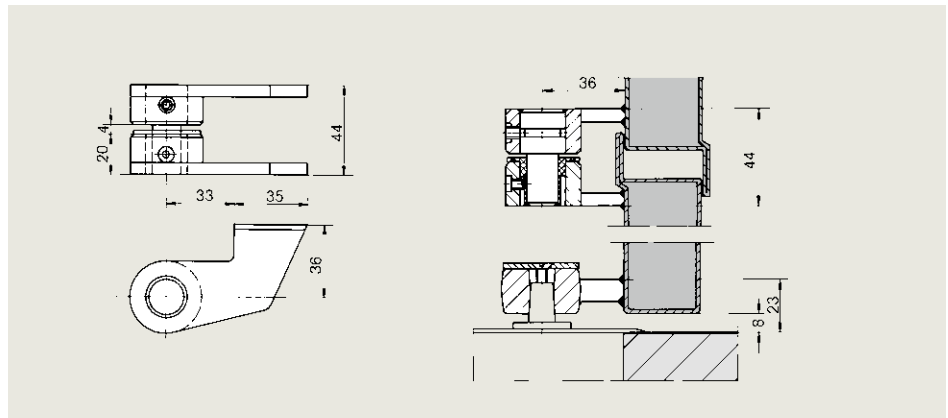
For welding

Pivot hinge pair

Item no. 7431 K

Made of primed steel;
with eccentric bolts and
eccentric plastic bushing to align the
door after installation (± 2 mm
adjustment);
for DIN-L and
DIN-R doors.

Order no. 45300012



Door levers

Item no. 7431

Made of die-forged, primed steel.

Order no. 45010005

Cover disk for door lever

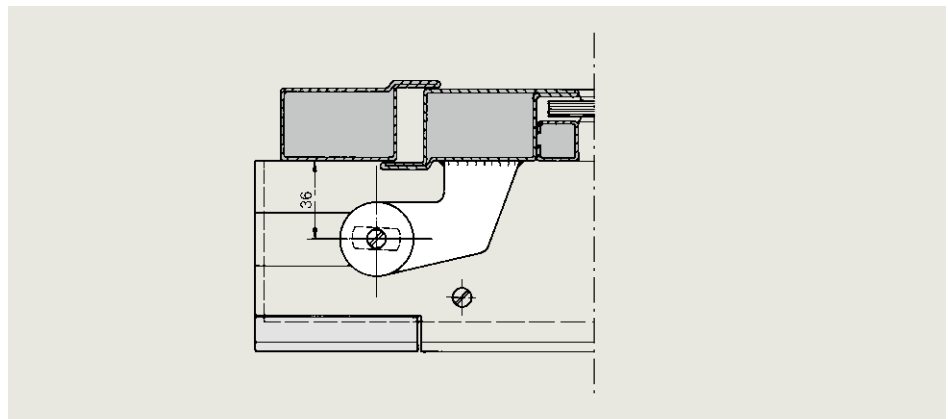
Item no. 7432

Made of stainless steel.

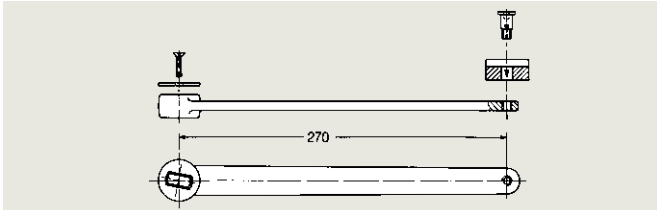
Order no. 1167100000

Cover caps

See pages 4 and 5



For doors with load-bearing hinges

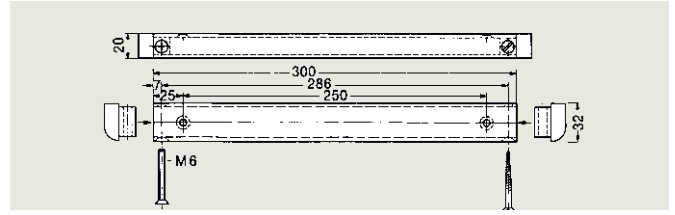


Rocker arm Item no. 7451 N

Made of die-forged steel, including cover plate 7432.
Order no. 45090070 Special version (flat) on request.

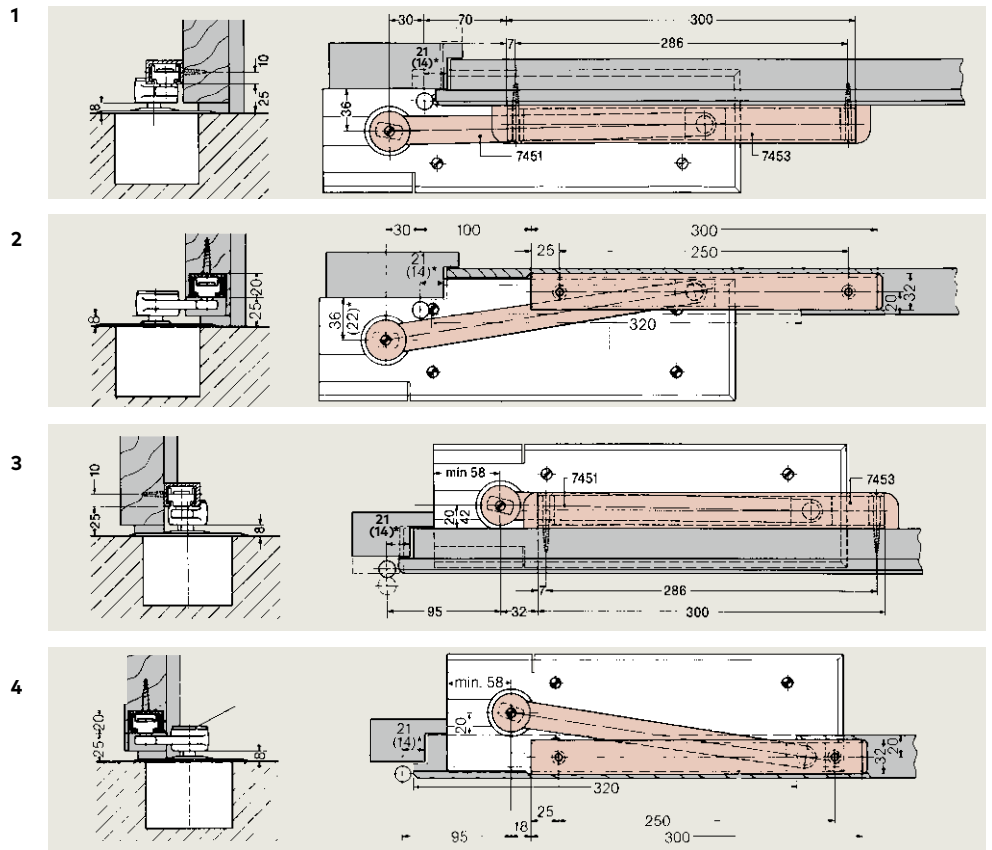
Installation examples

(*) = Pivot point offset
for flush doors



Track rail Item no. 7453 N

Made of light metal, anodised, silver-coloured (EV 1, Euras C-0).
Order no. 45090053



Max. opening angle, response angle for backcheck and hold-open angle

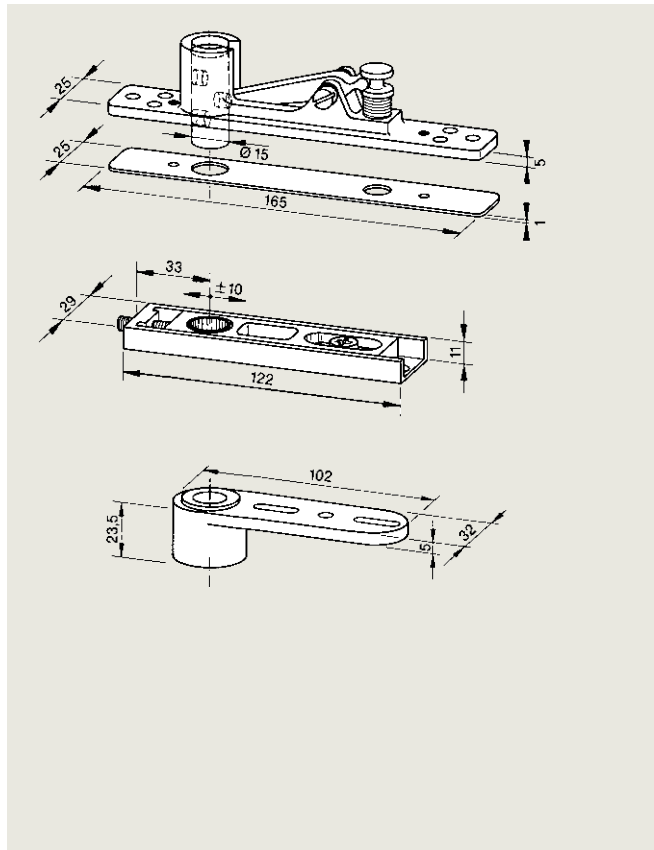
	Installation example	Door thickness in mm									
		Rebated door				Flush door					
		39	50	60	70	39	50	60	70		
Door opening* in °, max.	1	100				100					
	2	100				100					
	3	125	116	108	102	114	105	98	92		
	4	135	137	140	140	132	135	135	120		
Hold open of the BTS 80 and backcheck of the BTS 75 and the BTS 80 in ° from	1	78				78					
	2	85				85					
	3	60				60					
	4	52				52					
Hold open of the BTS 75 in ° for adjustment in °	1	105	95				100				
	2	90	90				90				
	3		105	83	85	87	90	86	90	92	95
			120	102	105	107	112	108	111	115	120
	4		105	73	75	77	79	76	78	80	83
			120	90	93	95	98	95	100	102	105

* Set the door buffer when the door is open to the max. Due to the different pivot points of the floor spring and the door axis, the backcheck function engages at an opening angle of less than 85°. Note the reduced closing force of the floor spring; make sure the hinges and door move smoothly. Detailed installation drawing on request.

For double-action steel, aluminium and timber doors

Adjustable pivot hinge (die-cast)

consisting of an upper part with an adjustable bolt to bridge section dimensions up to a maximum of 20 mm and a lower part with needle bearing (8067 with plastic bearing). For bridging larger section dimensions, the pivot hinge is available with 10 mm extended bolts.



Upper part 8062/8067
Order no. 46020031

Cover plate 8064
Order no. 46020044

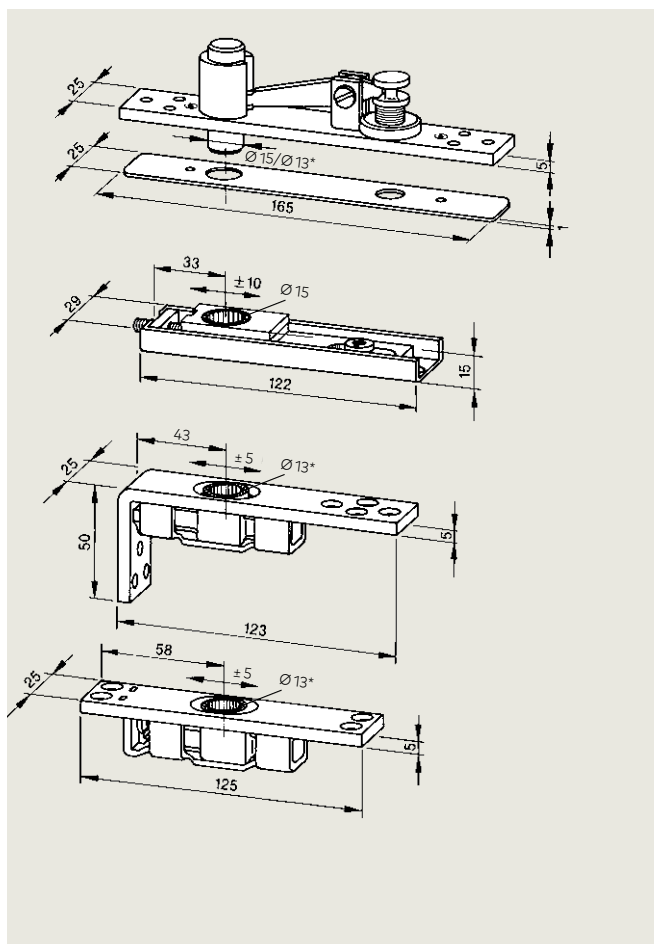
Lower part 8062
Order no. 46020033

Lower part 8067
Order no. 46020011

Complete pivot hinge
(upper and lower part)
8062
Order no. 46300003
8067
Order no. 46300005

Adjustable pivot hinge (steel)

consisting of an upper part with an adjustable bolt to bridge section dimensions up to a maximum of 16 mm and a lower part with needle bearing. For bridging larger section dimensions, the upper part of the pivot hinge is available with 10 mm extended bolts.



Upper part 8066
Order no. 46020036
Upper part 7461*
Order no. 46020050

Cover plate 8064
Order no. 46020044

Lower part 8066
Order no. 46020047

Lower part 7461 A*
Order no. 46020048

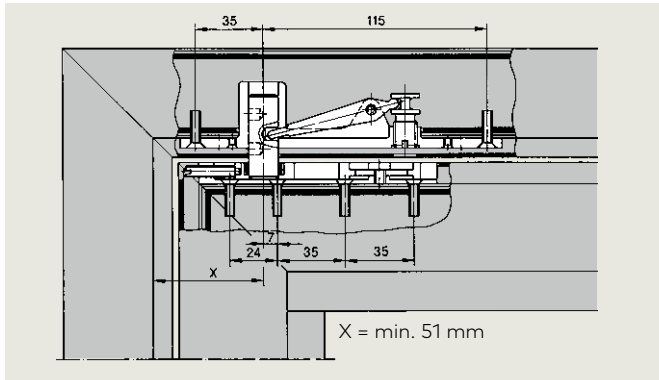
Lower part 7463 B*
Order no. 46020049

Complete pivot hinge
(upper and lower part)
8066
Order no. 46300006

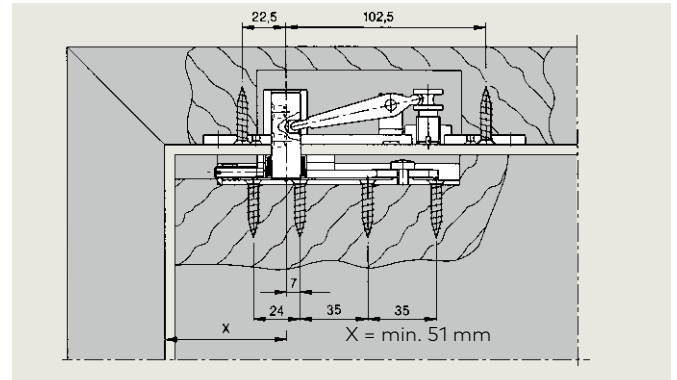
* For lower parts 7461 A and 7463 B, upper part 7461 (bolt Ø 13 mm) must be used.

Installation examples

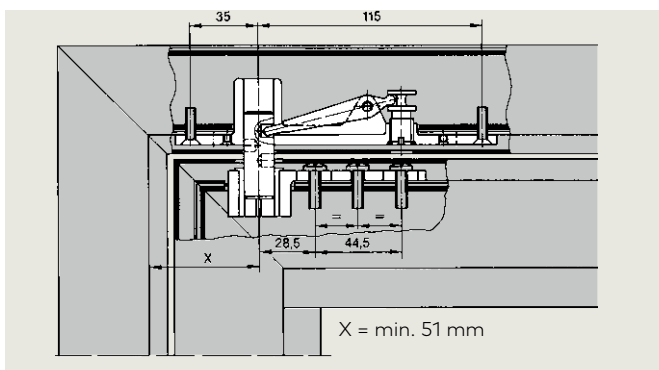
For aluminium doors Pivot hinge 8062



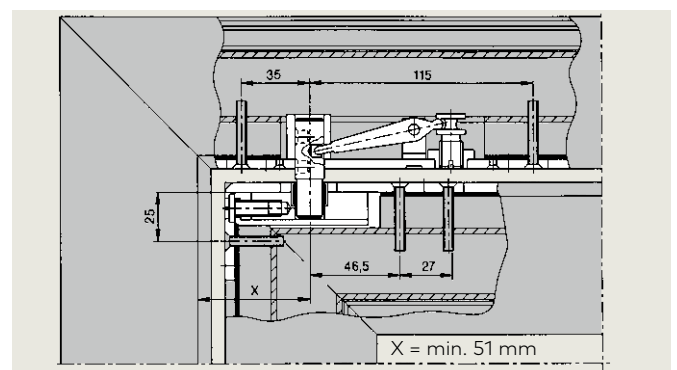
For timber doors Pivot hinge 8066



For aluminium doors Pivot hinge 8067

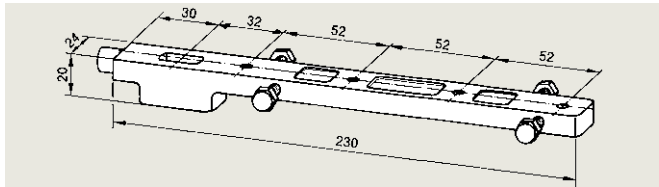


For steel doors Pivot hinge 7461

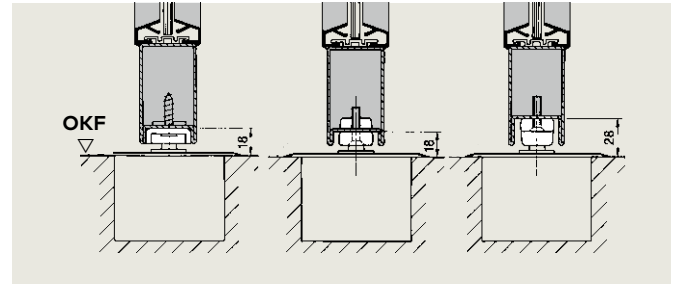


Door levers

Universal door lever Item no. 7422



Made from die-forged, galvanised steel; can be adjusted to the various profile systems. Order no. 46010002



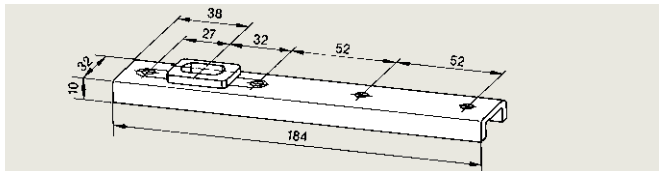
Door levers
8021

Door levers
74211

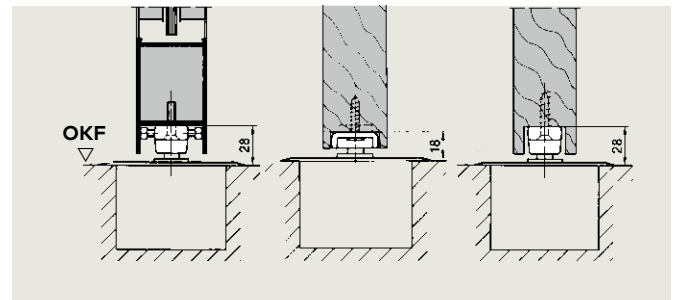
Door levers
7421

with milling groove without milling groove

Door lever Item no. 8021



Made from galvanised steel; for door weights of up to 100 kg. Order no. 45010410

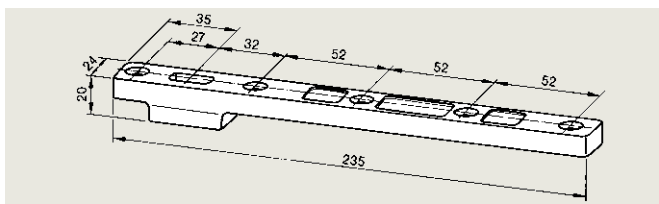


Door levers
7422

Door levers
8021

Door levers
7421

Door lever Item no. 7421



Made of die-forged, galvanised steel. Order no. 46010001

Door bearing

Pivot bearing

Item no. 7471 K
 With ball bearing,
 maximum load capacity 200 kg.

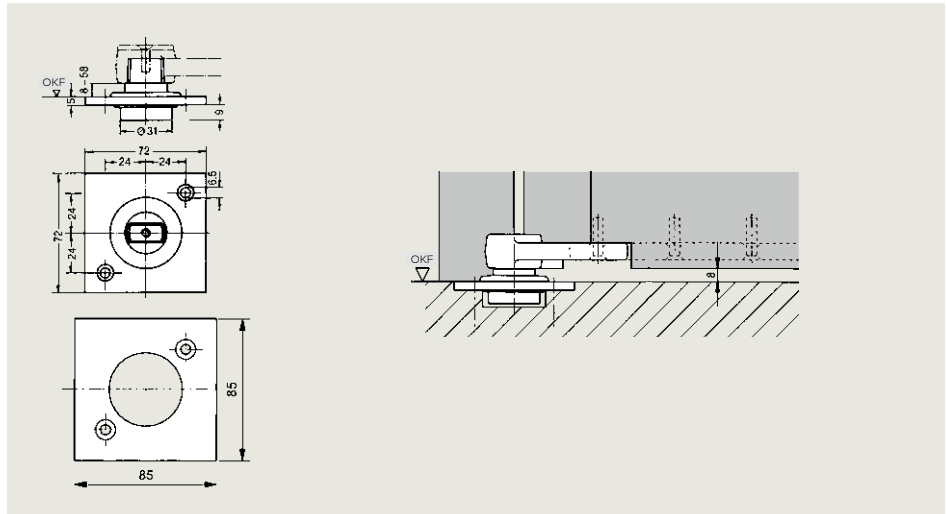
Order no. 45070001

Item no. 7471 AX
 With angular ball bearing,
 maximum load capacity 300 kg.

Order no. 45070002

Cover plate

Item. no. 7470
 85 x 85 mm for 7471 K/AX
 Order no. 21262401140

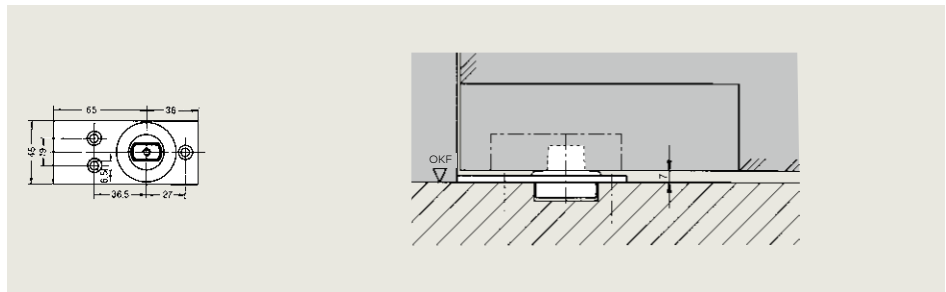


Item no. 7475 AX
 With angular ball bearing,
 maximum load capacity 300 kg.

Order no. 45070003

Also available in stainless steel

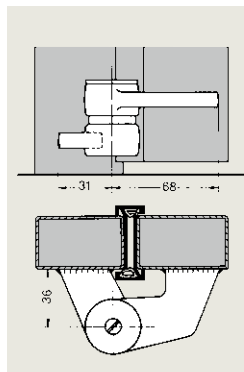
Item no. 8560 GE.
 Order no. 65540059



Weld-on bearing

Item no. 7472 K
 With ball bearing,
 maximum load capacity 200 kg,
 and door lever 7431
 (see page 6);
 can be repositioned to suit DIN-L and
 DIN-R doors.

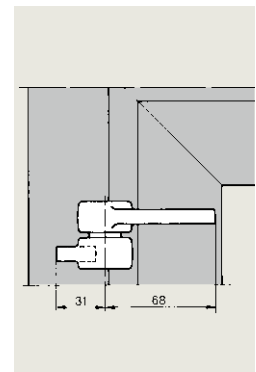
Order no. 45070011



Weld-on hinge

Item no. 7472 M
 Usable as a middle and upper hinge;
 with eccentric bolts and eccentric
 plastic bushing to align the door after
 installation (± 2 mm adjustment);
 can be repositioned to suit DIN-L and
 DIN-R doors.

Order no. 45900008



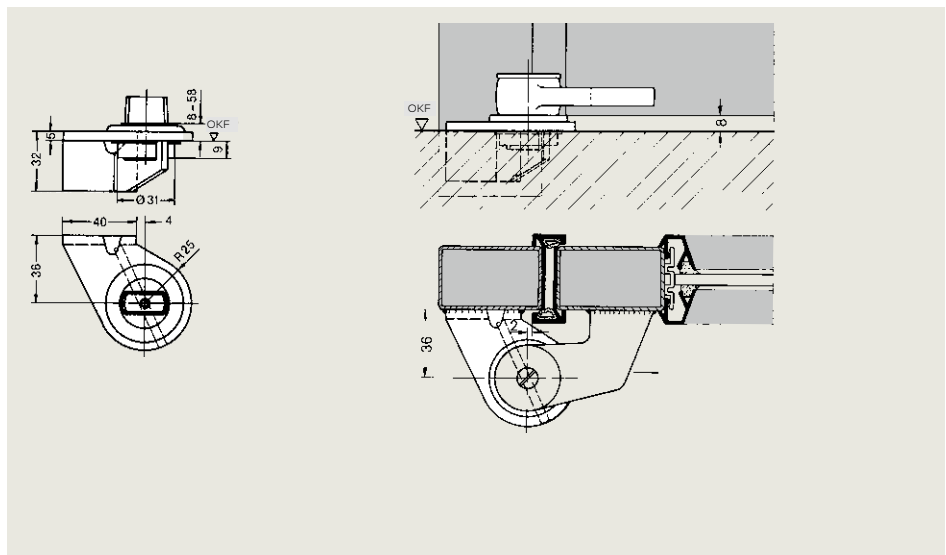
Weld-on bearing

Item no. 7474 K
 With ball bearing, maximum load
 capacity
 200 kg, and welded stiffening plate.

DIN-L doors:
 Order no. 45075007

DIN-R doors:
 Order no. 45071007

AX version on request



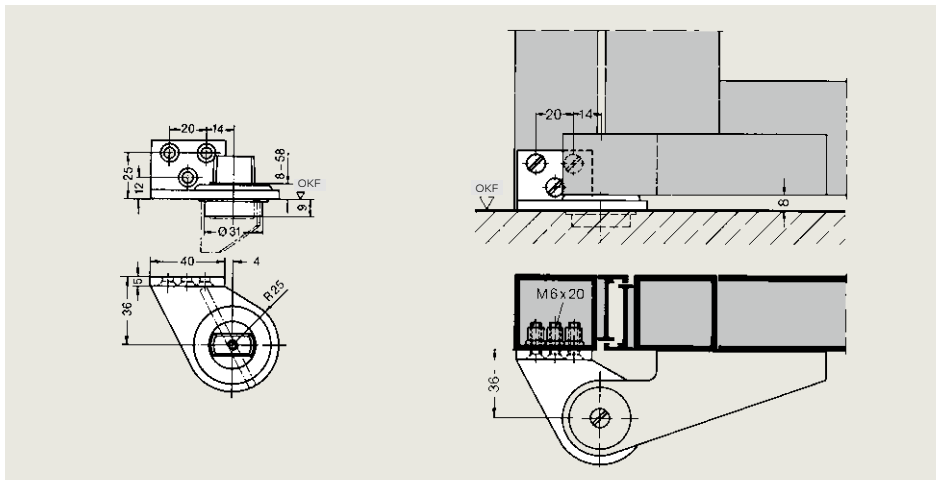
Screw-on bearing

Item no. 7473 K
 With ball bearing,
 maximum load capacity 200 kg.

Suitable for timber, steel and
 aluminium doors.

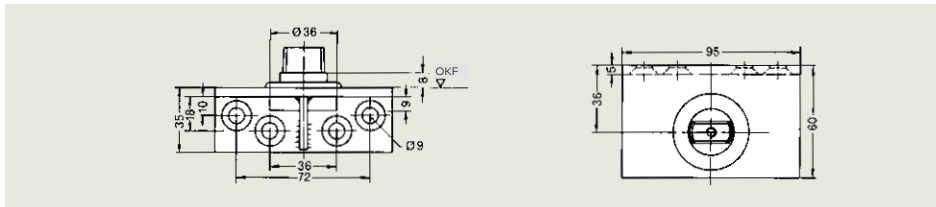
DIN-L doors:
 Order no. 45075005

DIN-R doors:
 Order no. 45071005



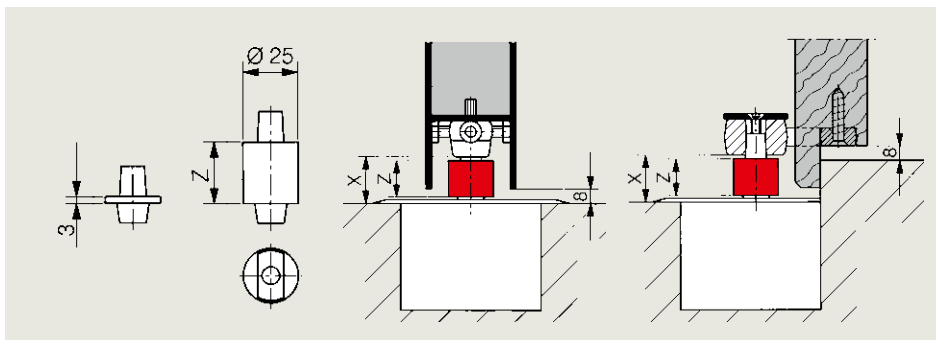
Item no. 7476 AX
 With angular ball bearing,
 maximum load capacity 300 kg.

Order no. 45070012



Spindles, galvanised, for dormakaba BTS floor springs

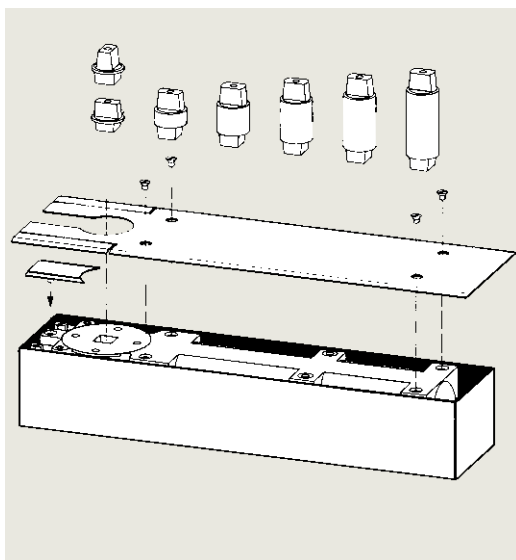
Length in mm	Order no.
Standard	45200401
+ 5.0	45200402
+ 7.5	45200403
+ 10.0	45200404
+ 12.5	45200419
+ 15.0	45200405
+ 20.0	45200406
+ 25.0	45200407
+ 28.0	45200414
+ 30.0	45200408
+ 35.0	45200409
+ 40.0	45200410
+ 45.0	45200411
+ 50.0	45200412



Calculation of the required axle extension = **X** – floor clearance (normally 8 mm)
 For double checking: Collar height **Z** – 3 mm = axle extension

Special designs on request

e.g. flat edge offset 3°,
 square and spindles for non-
 dormakaba accessories.



	Order no.
Sealing compound 2300	
0.5 kg	45090086
Cement boxes for floor springs	
BTS 80	45090056
BTS 75 V	45090054
BTS 84	1418700000



**Door
Hardware**



**Electronic
Access & Data**



**Mechanical
Key Systems**



Lodging Systems



**Entrance
Systems**



**Interior Glass
Systems**



Safe Locks



Service

dormakaba
International Holding AG
Hofwisenstrasse 24
CH-8153 Rümlang
T +41 44 818 90 11
info@dormakaba.com
www.dormakaba.com