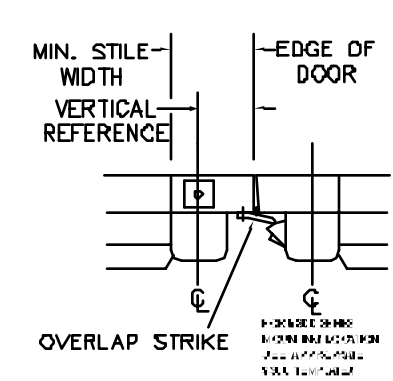
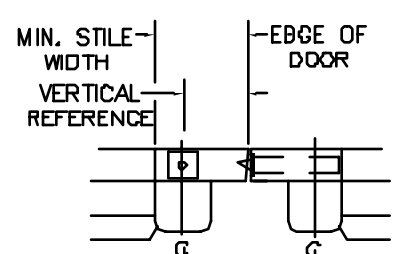
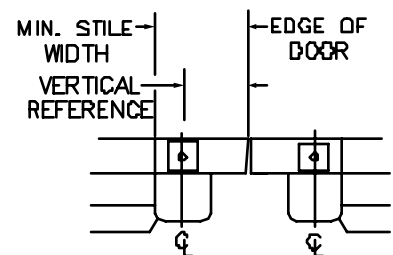
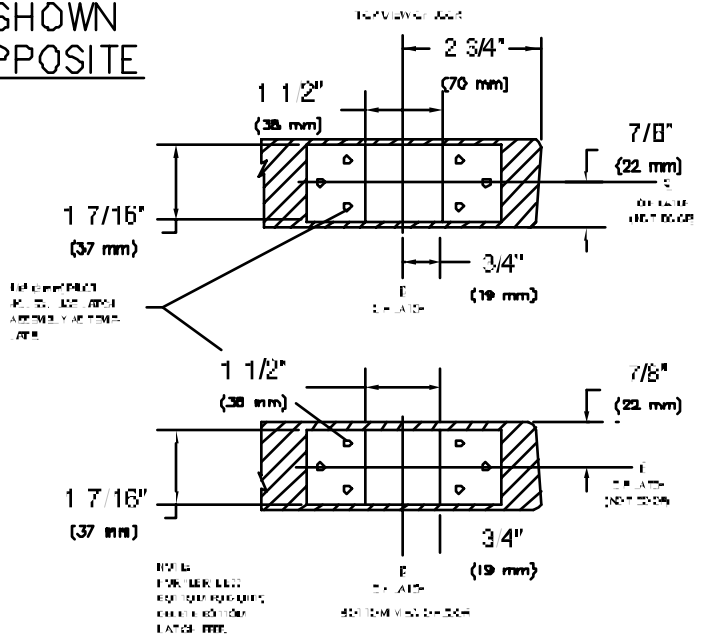
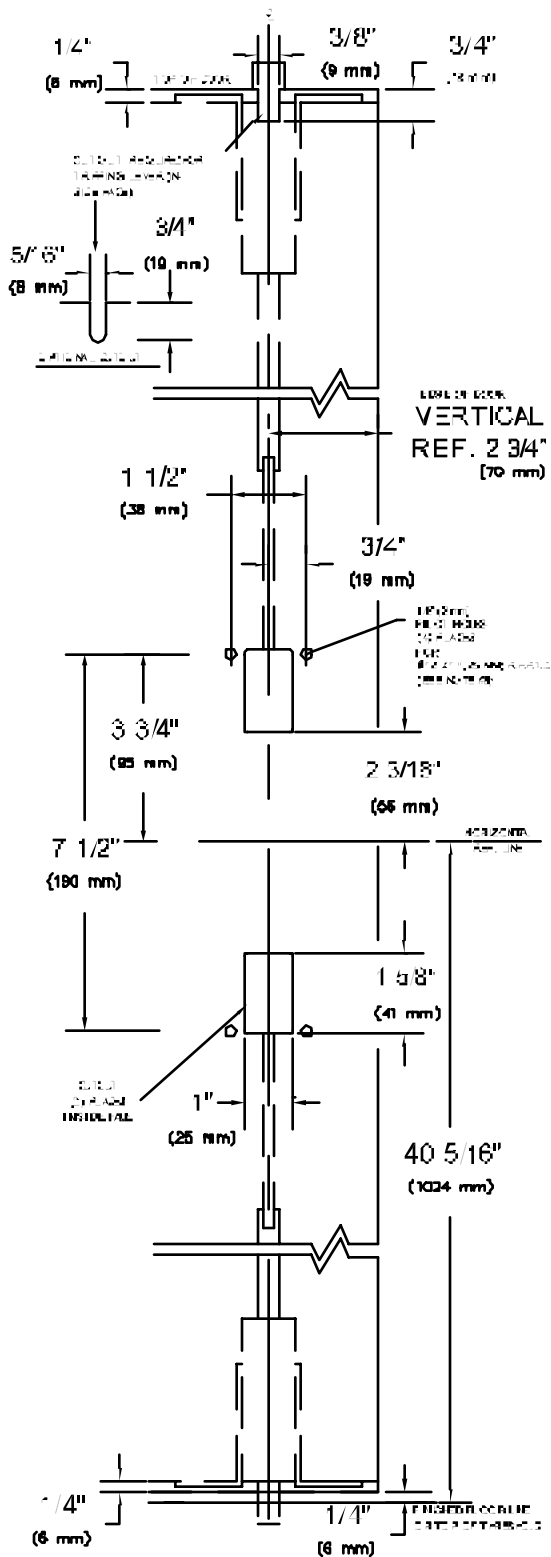


RHR SHOWN  
LHR OPPOSITE



FOR LESS BOTTOM ROD (LBR) DEVICES, DELETE BOTTOM LATCH PREP. POPPER REQUIRED ON FIRE RATED DEVICE, SEE TEMPLATE T-4012.

VERTICAL REFERENCE	MINIMUM STILE WIDTH
2 3/4\"/>	

NOTES:

1. SEE T-9118WD FOR ROUTING INSTRUCTIONS.
2. SEE ADDITIONAL TRIM TEMPLATE WHEN REQUIRED.
3. SEE ADDITIONAL TEMPLATES FOR FIRE CHANNEL EDGE PREP.
4. DEVICE WILL COVER STANDARD SDI CUTOUT.
5. FOR SEX NUTS USE 3/8\"/>

REV. No. 2 REVISION: CHANGE DEMENSION DATE: 8-1-00



9100 & F9100 (Wood Door)  
VERTICAL ROD EXIT DEVICE

TEMPLATE NUMBER  
T-9109WD  
②