

F1300 FIRE MULLION INSTALLATION

- Step 1** MEASURE DOOR OPENING FROM FLOOR TO BOTTOM OF STOP AT CENTERLINE OF DOORS (SEE FIG. 1). SUBTRACT 2" FROM DOOR OPENING DIMENSION TO GET LENGTH OF MULLION. MEASURE AND CUT MULLION OPPOSITE THE END MARKED "DO NOT CUT".
- Step 2** USE THE BOTTOM FITTING AS A TEMPLATE AND PLACE IT ON THE FLOOR AGAINST THE DOORS LINING UP CENTERLINES AS SHOWN IN FIG. 2. MARK AND DRILL (2) 3/4" DIA. HOLES 2 1/4" IN DEPTH. INSERT (2) 3/8" - 16 x 2 1/16" STEEL SINKS AND SET. MOUNT BOTTOM FITTING WITH (2) 3/8" - 16 x 1" F.H.P.M.S.
- Step 3** USE THE TOP FITTING AS A TEMPLATE AND PLACE IT AT THE TOP OF THE DOOR OPENING (BOTTOM OF STOP) LINING UP CENTER LINES AS SHOWN IN FIG. 3. MARK AND DRILL (4) .257 DIA. ("F" DRILL) HOLES. NOTE: BE SURE AND DRILL THROUGH HEAD-FRAME AND UPPER REINFORCEMENT, SEE (FIG. 1). TAP FOR 5/16" - 18 THREAD. DO NOT INSTALL TOP FITTING.
- Step 4** WITH MULLION TILTED SLIGHTLY, INSERT ONE END INTO BOTTOM FITTING AND PLACE TOP FITTING ON OTHER END. TILT MULLION UP-RIGHT INTO PLACE AND SECURE TOP FITTING WITH (4) 5/16" - 18 x 1/2" F.H.P.M.S.
- Step 5** MAKE SURE MULLION IS SEATED IN BOTTOM FITTING. TIGHTEN SET SCREWS IN BOTH FITTINGS SO MULLION WILL NOT MOVE. NOTE: THERE SHOULD BE A 1 3/8" GAP BETWEEN TOP OF MULLION AND TOP FITTING FLANGE.
- Step 6** MOUNT STABILIZERS AS SHOWN IN (FIG. 4). DRILL (8) HOLES .180 DIA. (#15 DRILL) AND SECURE STABILIZERS WITH (8) 12-24 x 3/4" R.H.P.M.S.
- Step 7** INSTALL EXIT DEVICE USING TEMPLATES PACKAGED IN CARTON.

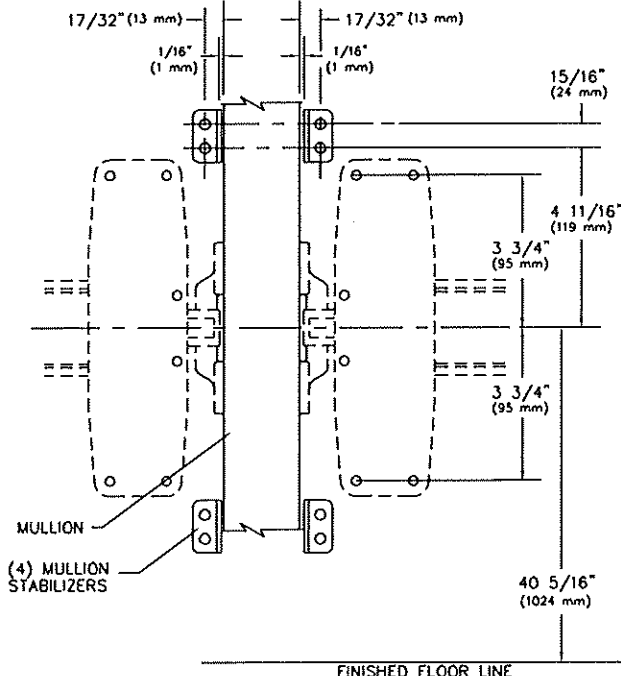
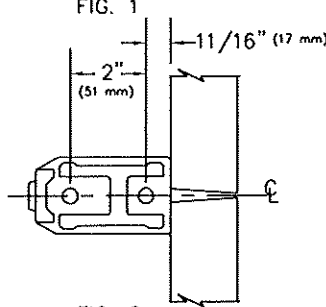
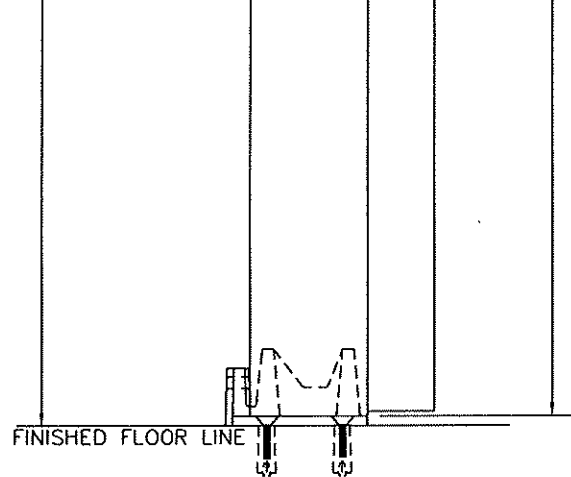
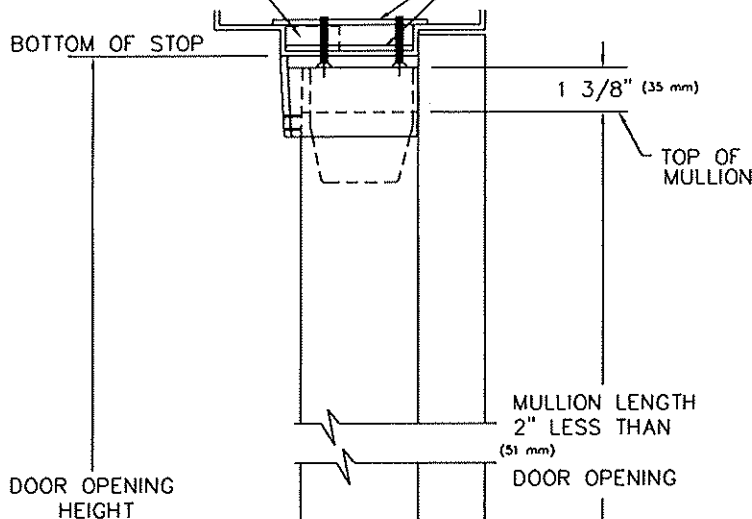
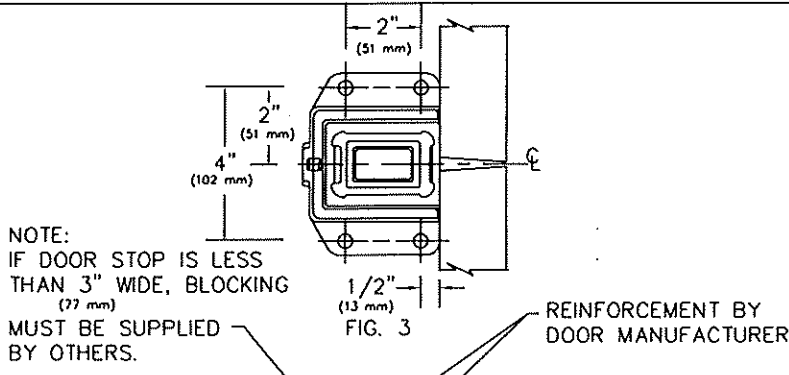


FIG. 4 NOT TO SCALE

REV. No. 2

REVISION: Anchor change

DATE: 11-16-10



F1300 MULLION WITH WITH F9700 & F9300 SERIES

TEMPLATE NUMBER T-4011(2)