

Universal Patch Fittings PT30

Overpanel

Installation instructions

833002 – 07-2019

| EN |

dormakaba 

Table of contents

1	Technical specifications	3
1.1	Overview	3
	1.1.1 General information	3
	1.1.2 Intended use	3
	1.1.3 Glass requirements/fittings/mounting	3
	1.1.4 Requirements for glass panel	3
	1.1.5 Safety instructions	3
	1.1.6 Symbols used - Safety/Installation	3
	1.1.7 Maintenance, care, repair	3
	1.1.8 Disposal	3
1.2	Door dimensions & options	4
2	Installation instructions	5
2.1	Overall	5
2.2	Install the gaskets	5
2.3	Secure wall plate to fitting	6
2.4	Install fittings on glass	6
2.5	Install inserts	6
2.6	Install door (for pivot insert only)	7
2.7	Install covers	7

1 Technical specifications

1.1 Overview

These instructions are for installation of the Universal PT30 Overpanel Patch Fittings for the following mounting and style versions:

1. Glass mounting

1.1.1 General information

- dormakaba requires use of tempered monolithic glass.
- dormakaba glass hardware is not suitable for harsh environment; for example, applications where chemicals (e.g. chlorine) are used such as indoor swimming pools, saunas, or salt-water pools.
- Do not swing doors with excessive force. Install limiting stop to prevent door from opening too far.

1.1.2 Intended use

- For pivoting doors in indoor or covered areas only.
- For manual slowly opening and closing only.

1.1.3 Glass requirements/fittings/mounting

- The substructure/wall must be able to bear permanent loads, and be level (max. tolerance: 1/16" [2] per 39" [1m]).
- Fasteners must be sufficiently dimensioned for the substructure/wall and weight of the door.
- When adjusting glass elements, always stick to the required clearance for the respective hardware. Adjust clearance so glass does not come in contact with any hard surfaces such as glass, metal or concrete.
- Do not use excessive force when installing the glass (avoid over tightening screws.)

1.1.4 Requirements for glass panel

- dormakaba requires use of fully tempered glass, which complies with ASTM C 1036 and ASTM C 1048. Secondary heat soaking processes are optional but not required.
- Clamping area must be flat and uncoated (no self-cleaning coating!)
- Never use glass with conchoidal fractures and/or damaged edges.

1.1.5 Safety instructions

- Installation requires two people.
- Always wear protective clothing.

- Only properly qualified and specially trained staff are authorized to mount dormakaba glass hardware.
- Due to crushing hazards and possible injury caused by breakage of glass during mounting, corresponding protective clothing (especially gloves and protective goggles) is required.
- Never clamp metal fitting hardware directly to glass surface.

1.1.6 Symbols used - Safety/Installation



CAUTION

Mounting components must meet the requirements of substructure/wall and door weight. Please read the technical information for fittings.



WARNING

Risk of breaking glass. When installing the door, support the door panel with a block of wood or similar object.



CLOSING EDGE OF DOOR

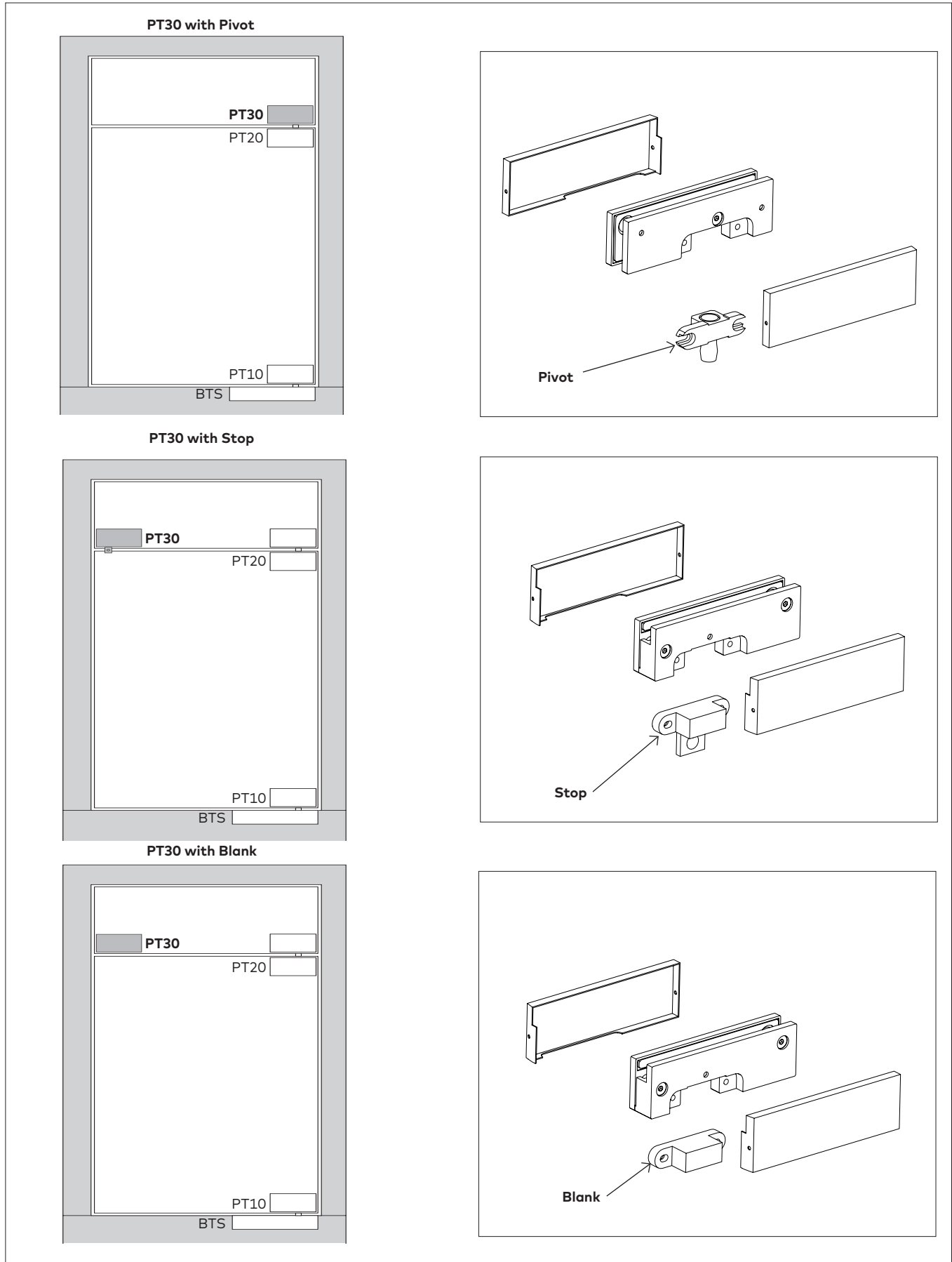
1.1.7 Maintenance, care, repair

- Immediately replace damaged parts.
- Always use original dormakaba parts.
- Clean clamping area with alcohol-based standard commercial cleaning agent before mounting the glass hardware.
- Use a damp cloth for occasional cleaning.
- Always use silicone - and oil-free cleaners (e.g. acetone).
- Check glass hardware at regular intervals for proper positioning, smooth operation and correct adjustment.
- High traffic door systems require inspection by properly qualified staff (specialized companies or installation firms.)
- Function of fittings is recommended to be inspected every 500,000 movements by a specialist.

1.1.8 Disposal

Disposal in accordance with local, state and national regulations.

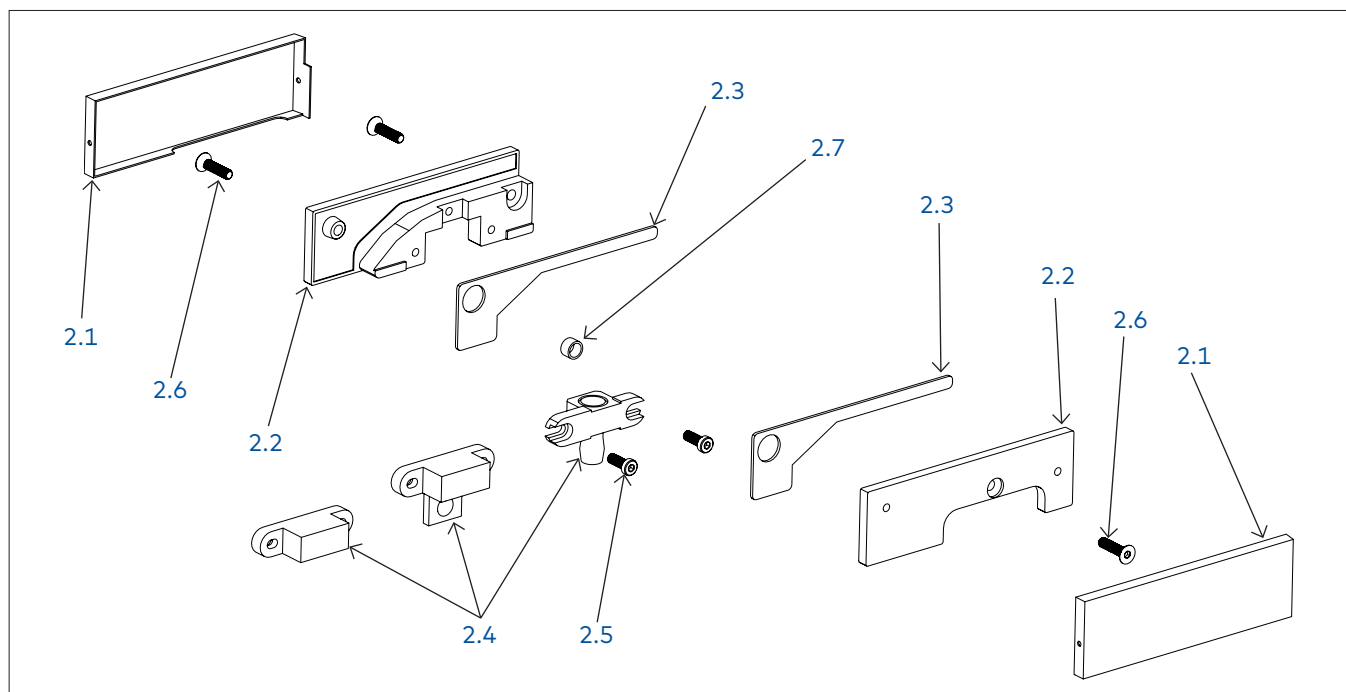
1.2 Door dimensions & options



2 Installation instructions

2.1 Overall

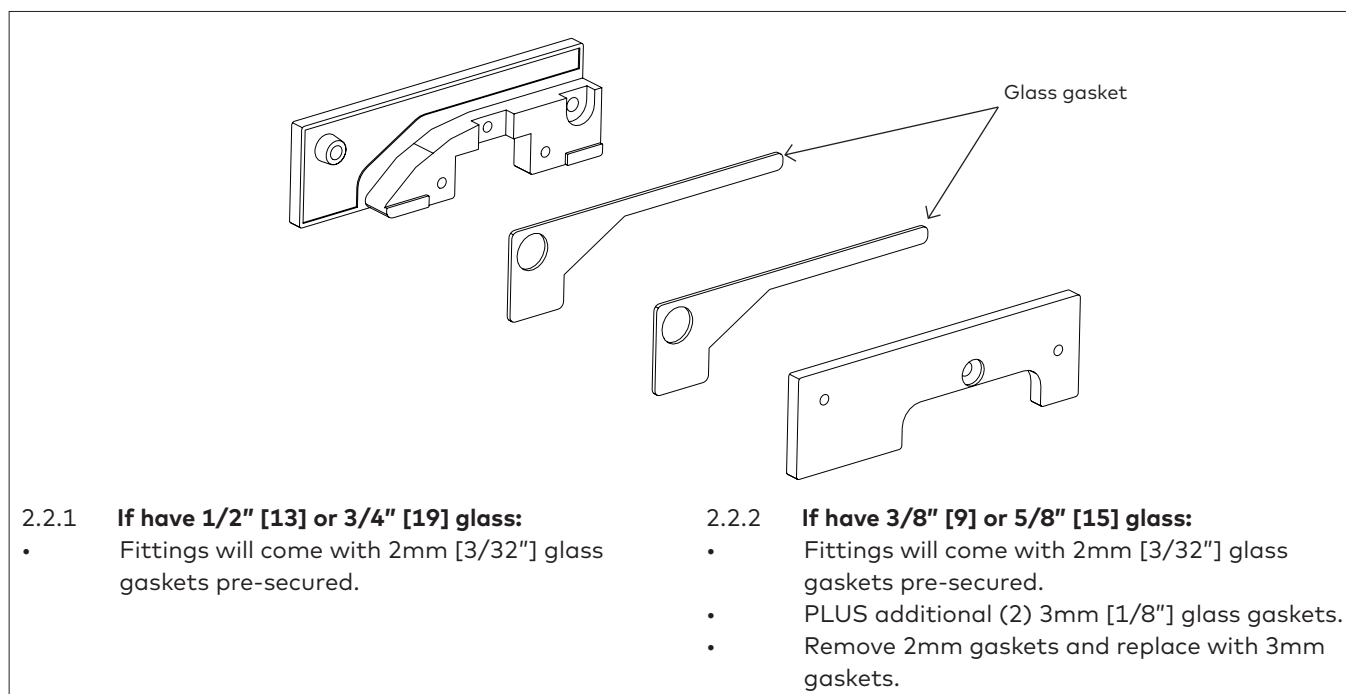
Fig. 1



- | | | |
|--------------------------|---|-----------------------------------|
| 2.1 Covers | 2.4 Pivot/blank/stop
(application dependent) | 2.6 Patch fasteners (3x included) |
| 2.2 Patch plates/fitting | 2.5 Insert fasteners (2x included) | 2.7 Glass grommets (1x included) |
| 2.3 Gaskets | | |

2.2 Install the gaskets

Fig. 2



2.2.1 If have 1/2" [13] or 3/4" [19] glass:

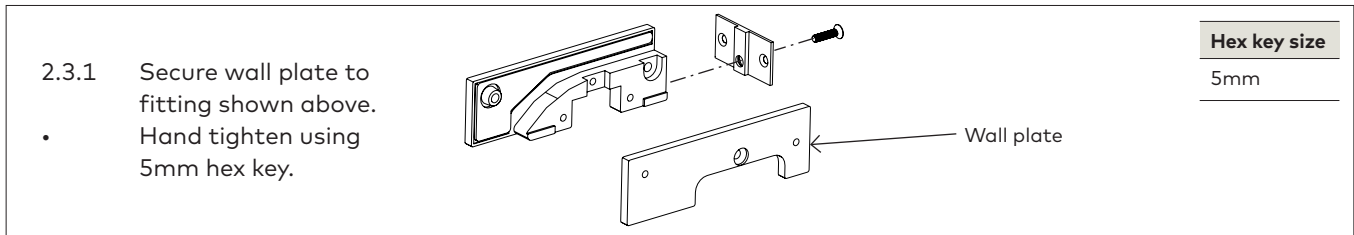
- Fittings will come with 2mm [3/32"] glass gaskets pre-secured.

2.2.2 If have 3/8" [9] or 5/8" [15] glass:

- Fittings will come with 2mm [3/32"] glass gaskets pre-secured.
- PLUS additional (2) 3mm [1/8"] glass gaskets.
- Remove 2mm gaskets and replace with 3mm gaskets.

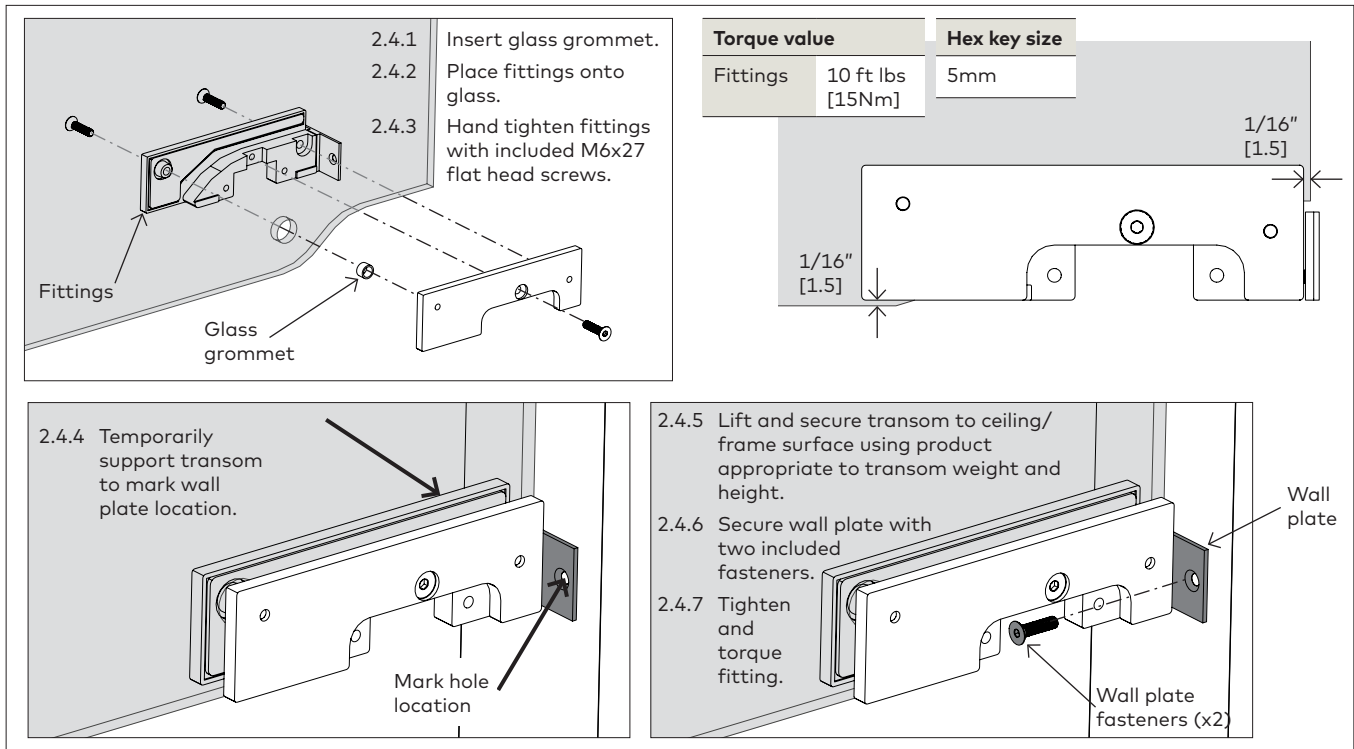
2.3 Secure wall plate to fitting

Fig. 3



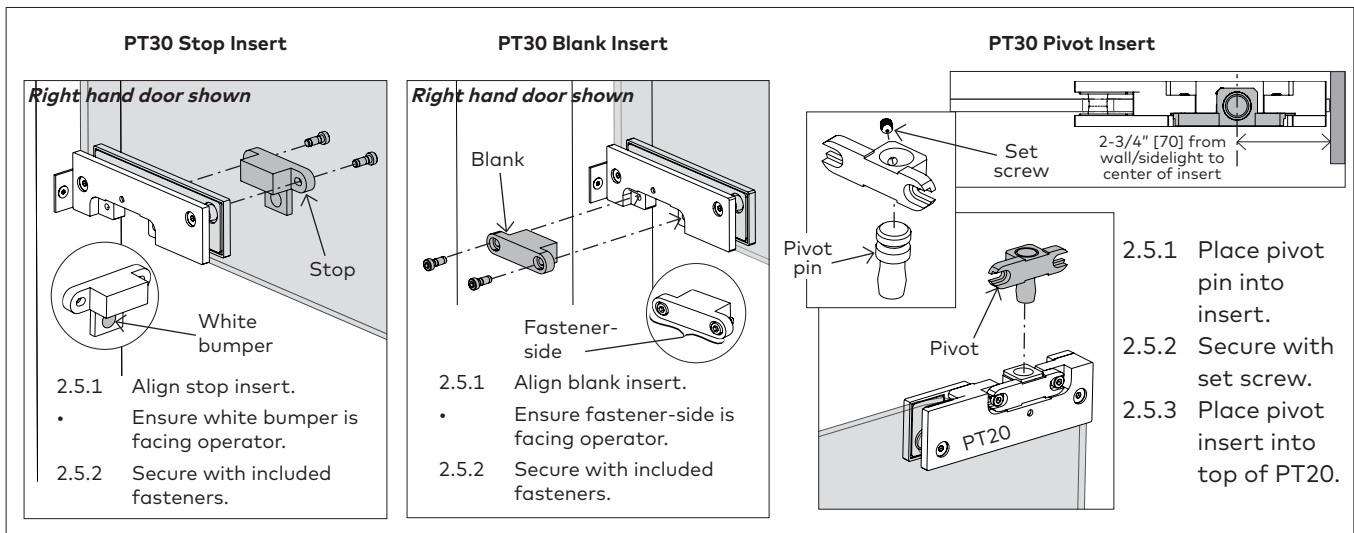
2.4 Install fittings on glass

Fig. 4



2.5 Install inserts

Fig. 5



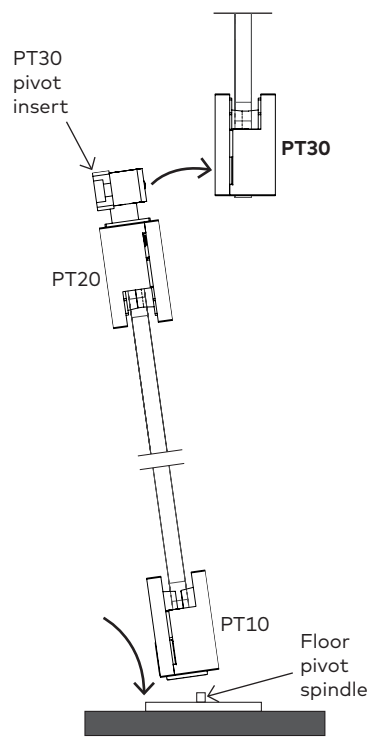
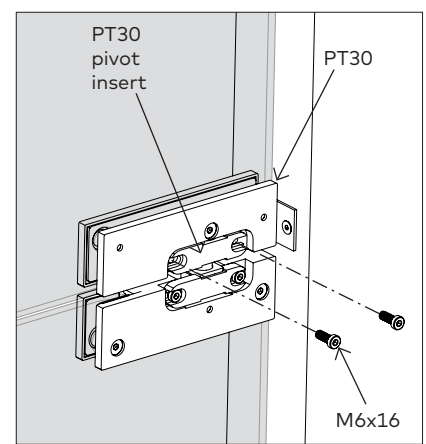
2.6 Install door (for pivot insert only)

Fig. 6

2.6.1 Place bottom patch fitting onto floor pivot spindle.

2.6.2 Tip glass panel up and align PT30 pivot insert with PT30 patch fitting.

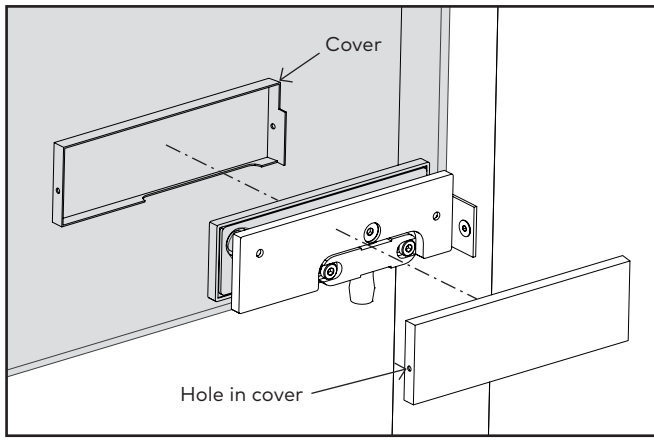
2.6.3 Secure insert with included M6x16 socket head screws.

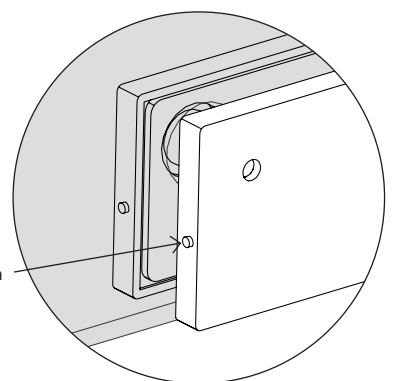



Hex key size	Torque value
5mm	PT30 insert 9 ft lbs [12Nm]

2.7 Install covers

Fig. 7





2.7.1 Align hole in cover with spring pin on end of fitting.

2.7.2 Snap covers onto patch fittings.

2.7.3 **To remove:**

- Depress spring pin and pop cover off.

