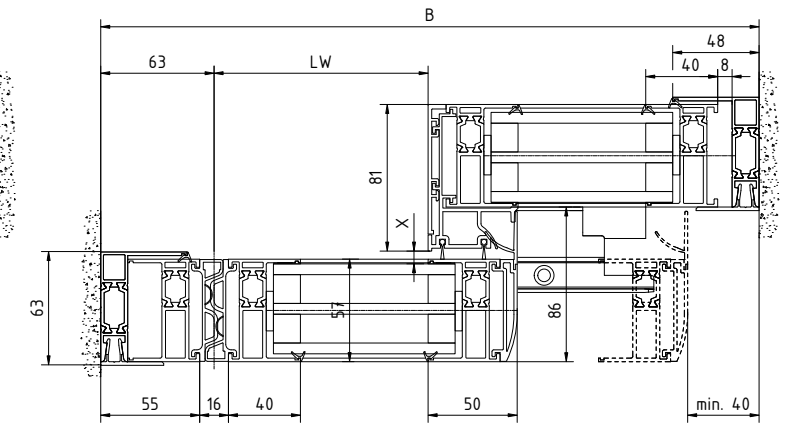
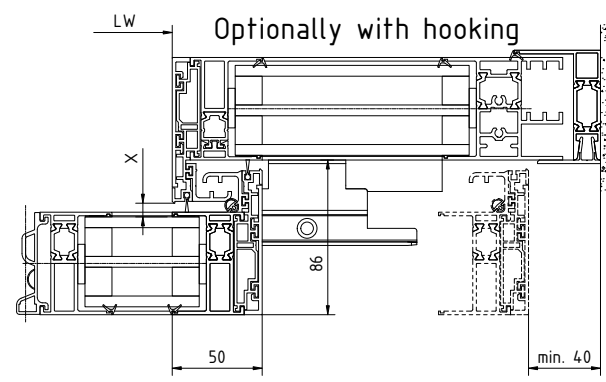
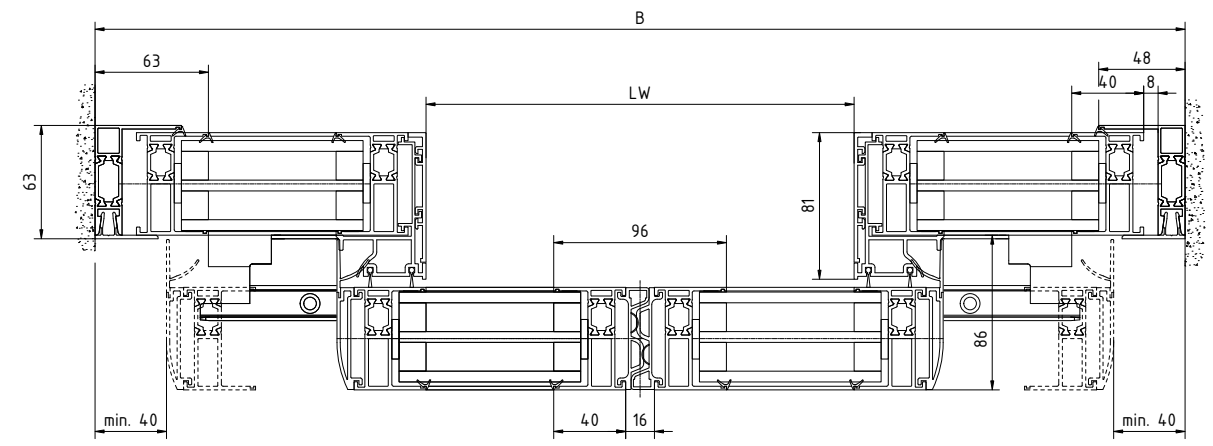
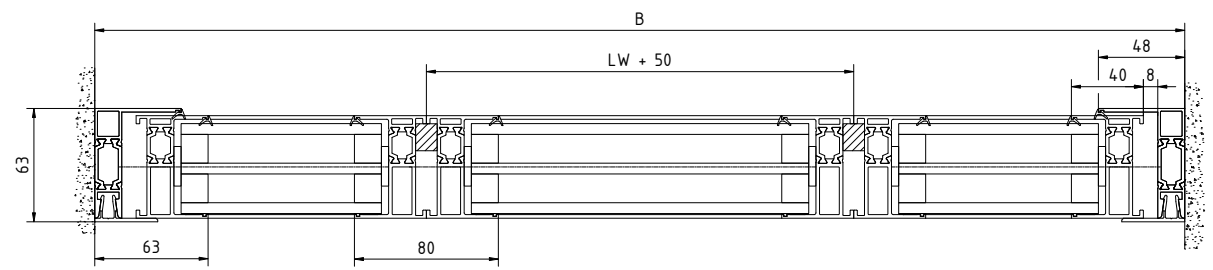


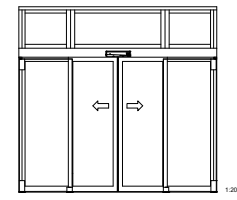
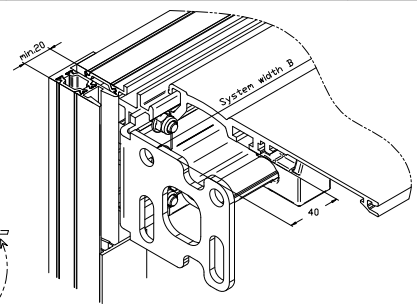
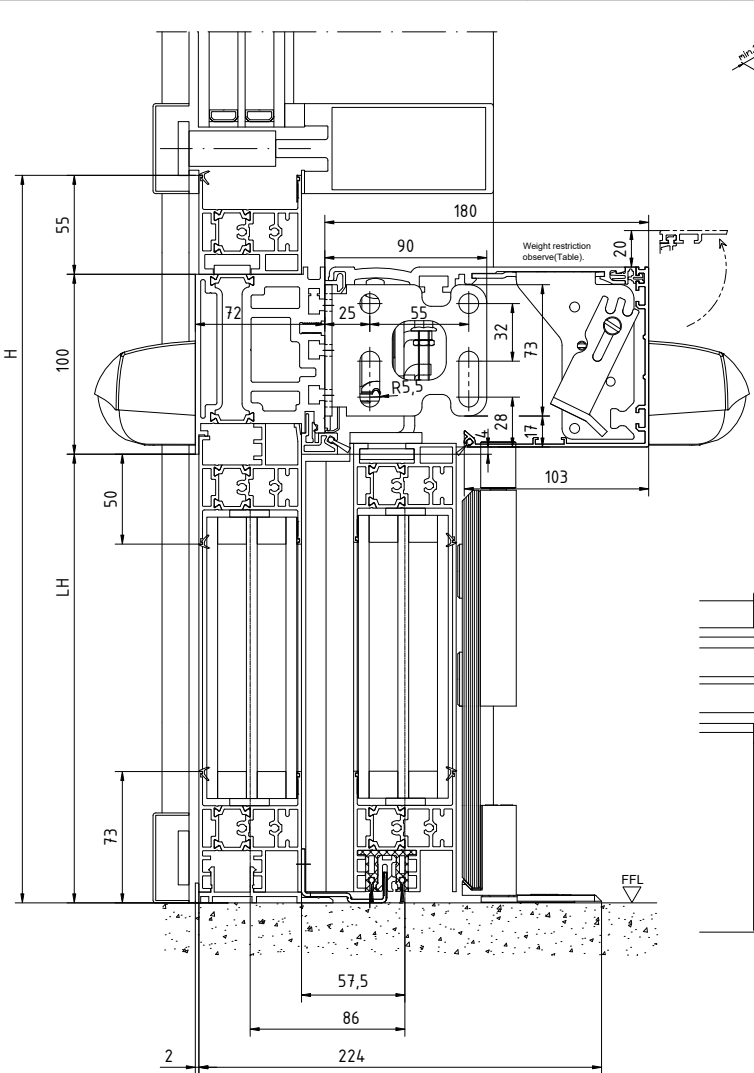
FFL	Finished floor level	Pro Green ES 250 PRO / ES 400 PRO	Weight
LW	Passage width	1-leaf	1-leaf
LH	Clearance height	LW 700 - 3000	ES 250 PRO 1 x 125 kg ES 400 PRO 1 x 250 kg
H	Installation height	B min. = 2 x LW + 153 (with fixed part / with post width 63mm)	
X	Noticed	2-leaf LW 800 - 3000	2-leaf
According to EN 16005 / DIN 18650 Construction and testing principles for automatics. For doors, this dimension may only be 4 - 8 mm.		B min. = 2 x LW + 180 (with fixed part / without post width)	Standard ES 250 PRO 2 x 125 kg ES 400 PRO 2 x 200 kg

For doors with side panels and LM supports (through mounting), from a door leaf weight of approx. 120kg - depending on the clear width of the door - either a drive support or the drive variant with a height of 100mm is required.

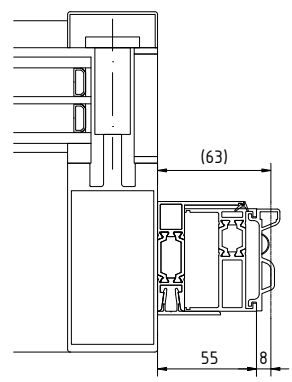
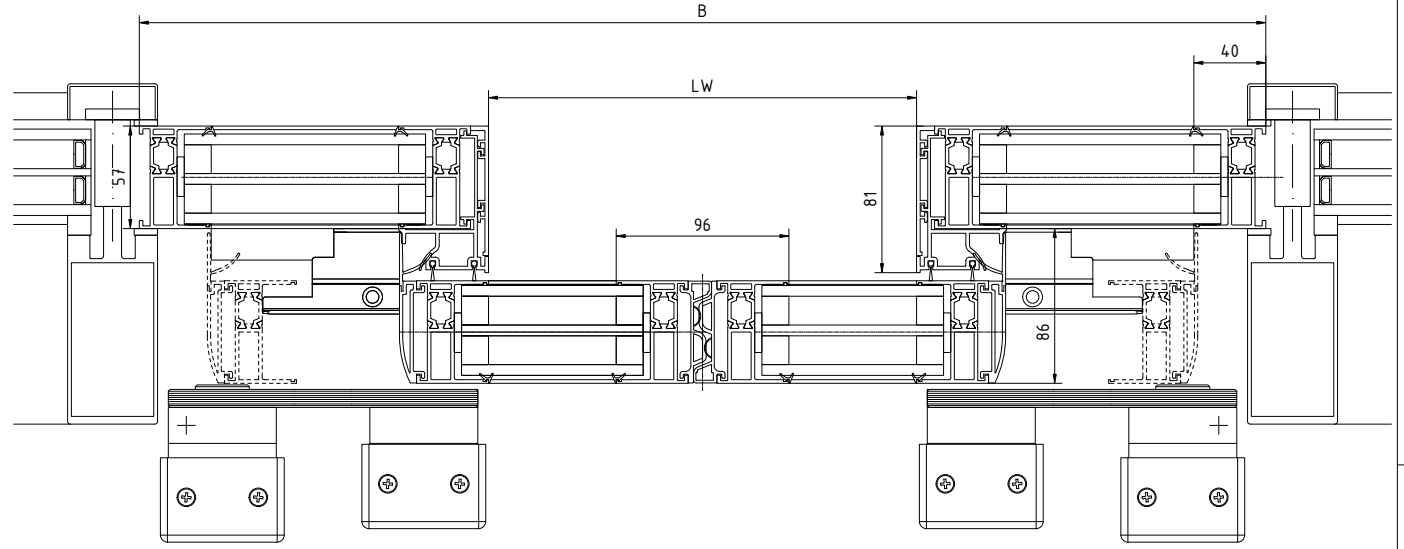


Attention!
the safety equipment of the automatic door must correspond to the risk analysis according to DIN 18650

ES PROLINE	Pro Green sliding door	257891-00-6-60
1:1	installing glass - with fixed part - floor guide	

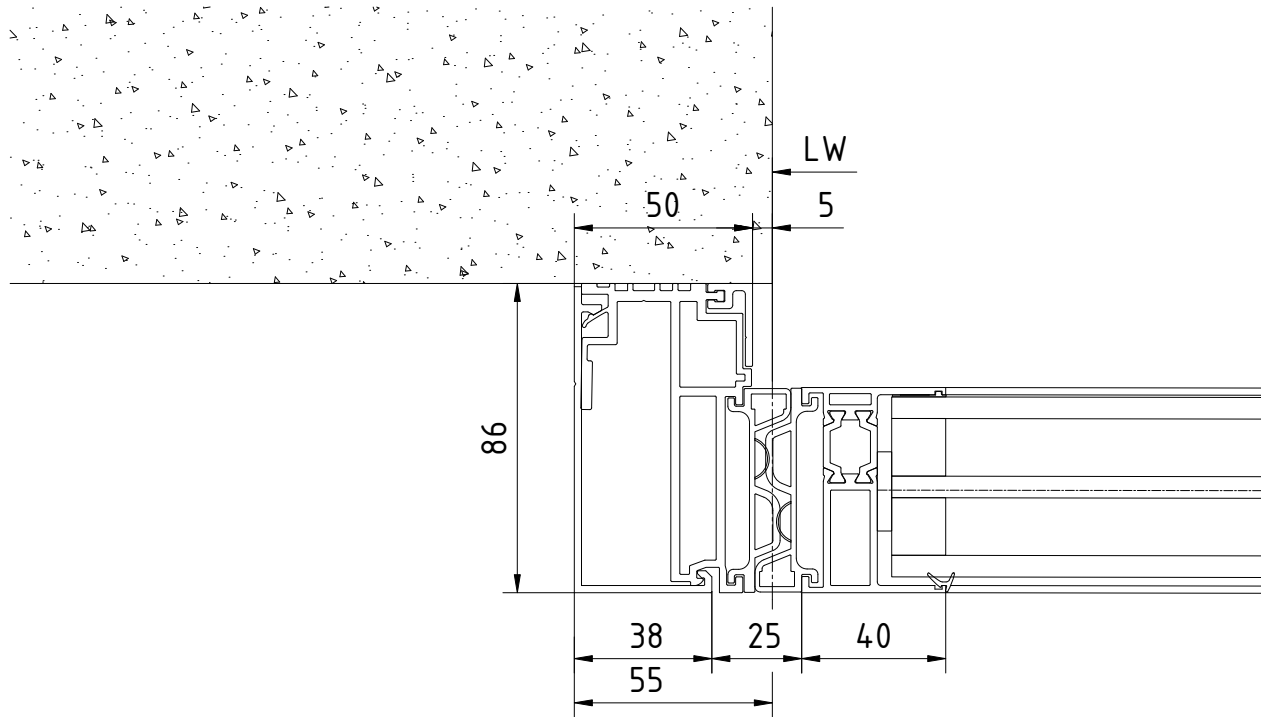


FFL	Finished floor level	Pro Green ES 250 PRO / ES 400 PRO	Weight
LW	Passage width	1-leaf	1-leaf
LH	Clearance height	LW 700 - 3000	ES 250 PRO 1 x 125 kg ES 400 PRO 1 x 250 kg
H	Installation height	B min. = 2 x LW + 153 (with fixed part / with post width 63mm)	
X	Noticed	2-leaf LW 800 - 3000	2-leaf
According to EN 16005 / DIN 18650 Construction and testing principles for automatic. For doors, this dimension may only be 4 - 8 mm.		B min. = 2 x LW + 180 (with fixed part / without post width)	Standard ES 250 PRO 2 x 125 kg ES 400 PRO 2 x 250 kg
For doors with side panels and LM supports (through mounting), from a door leaf weight of approx. 125kg - depending on the clear width of the door - either a drive suspension or the drive variant with a height of 105mm is required.			



Attention!
the safety equipment of the automatic door must correspond to the risk analysis according to DIN 18650

Rev	Change	Date	Name	Version	
1	Issue	10.01.2021	Reiser	01	
ES PRO-GREEN Pro Green sliding door					257891-006-60 1:1 1



Distribution and reproduction of this document,
 Use and communication of these contents is not permitted,
 design for any other purpose. All rights reserved. In the case
 of subject to the granting of patents or registration of other models.

3				Date	Name	Material	© dormakaba GmbH+Co.KG (DE) Ennepetal																											
2			Drawn	10.2021	Wenzel																													
1			Tested																															
<table border="1"> <tr> <td>Change No.</td> <td>Date</td> <td>Name</td> <td>Stand.</td> <td></td> <td></td> <td></td> </tr> <tr> <td>1</td> <td></td> <td></td> <td></td> <td></td> <td></td> <td></td> </tr> </table>							Change No.	Date	Name	Stand.				1							Issue: Format: A2													
Change No.	Date	Name	Stand.																															
1																																		
<table border="1"> <tr> <td>Scale</td> <td>1:1</td> <td colspan="2">ES PROLINE</td> <td>Drawing-No</td> <td>Var.</td> <td>Typ</td> <td>Cond</td> <td>Sheet</td> </tr> <tr> <td colspan="2"></td> <td colspan="2">Pro Green sliding door</td> <td colspan="2">257691-00-6-60</td> <td colspan="2"></td> <td>1</td> </tr> <tr> <td colspan="2"></td> <td colspan="2">receiving pole-insulating glass - without fixed part - floor guide</td> <td colspan="2">Var.: 00</td> <td colspan="2"></td> <td>von Bl.</td> </tr> </table>							Scale	1:1	ES PROLINE		Drawing-No	Var.	Typ	Cond	Sheet			Pro Green sliding door		257691-00-6-60				1			receiving pole-insulating glass - without fixed part - floor guide		Var.: 00				von Bl.	Replacem.: 1
Scale	1:1	ES PROLINE		Drawing-No	Var.	Typ	Cond	Sheet																										
		Pro Green sliding door		257691-00-6-60				1																										
		receiving pole-insulating glass - without fixed part - floor guide		Var.: 00				von Bl.																										