



Floor spring

DORMA **BTS 84**

The economic double action floor spring

Special shallow design optional hold-open.

The DORMA BTS 84 is a double action floor spring which has been specially developed for the aluminium and toughened glass door industries.

This unit is intended to complement our internationally acclaimed RTS concealed overhead door closer by giving the shop-fitting industry the option of a DORMA quality floor spring designed for their particular purpose.

The BTS 84 has many of the features of the other DORMA BTS closers with the addition of reduced depth and an array of accessories designed for the aluminium door fabricator and toughened glass door manufacturer.



Plus points

For the trade

- Outstanding value for money.
- Also available with stronger and weaker springs for special requirements.

For the installer

- Easy installation thanks to shallow design.
- Easy to adapt to individual requirements with dual valve control 130° to 0° and 130° to 20°.
- Interchangeable spindle inserts available to suit site conditions.

For the architect/specifier

- Concealed unit for invisible installation.
- Minimum floor recess dimension.
- Proven, robust unit for door weights up to 100 kg.

For the user

- Thermoconstant smooth operation.
- High mechanical efficiency for easy door opening.
- Optional single point hold-open

Technical Data	BTS 84		
	EN 2	EN 3	EN 4
Spring strength			
Standard and external doors ^{1) 2)}	●	–	–
up to 850 mm	–	●	–
up to 950 mm	–	–	●
up to 1100 mm			
Closing speed variable by valve adjustment	●	●	●
Backcheck	–	–	–
Delayed action	–	–	–
Hold-open point			
90°	○	○	○
or 105°	○	○	○
Weight in kg, approx.	5.0	5.0	5.0
Dimensions in mm			
Length	306	306	306
Width	108	108	108
Height	40	40	40
Door closer tested to EN 1154	●	●	●

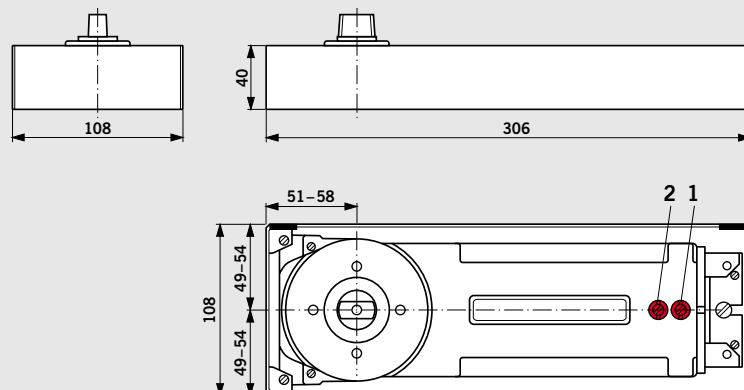
● Yes – No ○ Option

¹⁾ For applications involving particularly high or heavy doors, and doors which have to close against wind or draught conditions, the next larger closer size or the DORMA BTS 80 should be selected.

²⁾ Max. opening 130°.

Door stop necessary for doors which can open further than 130°.

- 1 Valve for closing speed adjustment 130° – 0°
- 2 Valve for increasing closing speed 130° – 20°



Standard and optional functions

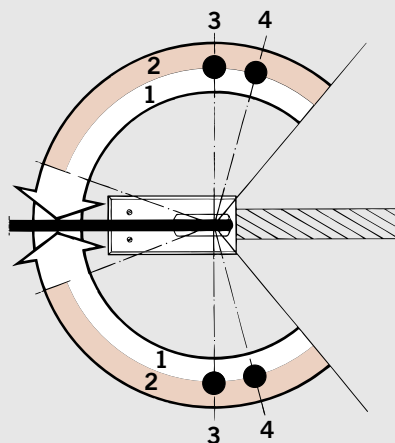
Closing ranges

The floor spring has two controlled closing ranges:
 Valve 1: 130° – 0° sweep
 Valve 2: Increases the closing speed between 130° and 20°.

Hold-open

With the hold-open (optional extra), the door can be held at angles of either 90° or 105°.

- 1 First adjusting closing range (130° – 0°)
- 2 Second adjusting closing range (130° – approx. 20°)
- 3 Hold open at 90° (optional extra)
- 4 Hold open at 105° (optional extra)



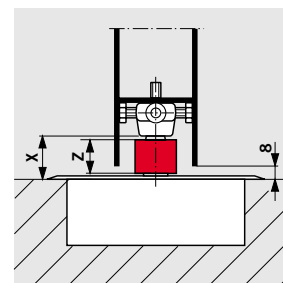
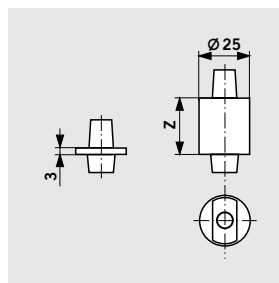
Accessories

Applications and fixing instructions, door straps and top centres

See Technical Information "Floor spring accessories".

Extended spindle insert

Spindle Extension	Dimension "X" (Door Clearance)
Standard	8 mm
5 mm	13 mm
7.5 mm	15.5 mm
10 mm	18 mm
12.5 mm	20.5 mm
15 mm	23 mm
20 mm	28 mm
25 mm	33 mm
30 mm	38 mm
35 mm	43 mm
40 mm	48 mm
45 mm	53 mm
50 mm	58 mm



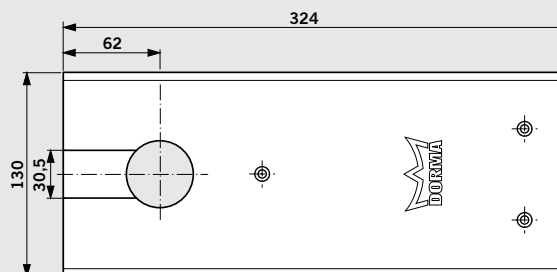
NOTE: Closer and bottom strap must be installed per fixing instructions for door clearances shown to be valid. Closers with extended spindle inserts are used with thresholds, carpeted floors, terazzo pans or in cases where more clearance between door and floor is required. Surface finish: Zinc plated.

DORMA 2300 Sealing Compound

For filling the cavities between the floor spring body and the cement box to prevent moisture penetration (mandatory according to e.g. VOB regulations for wet rooms).

Universal cover plate

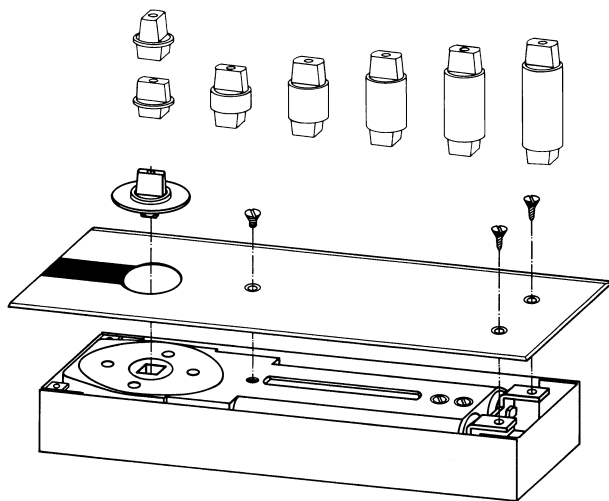
available in stainless steel or satin brass.



Options and accessories

Floor spring BTS 84 including cement box and standard spindle insert	Floor spring BTS 84 including cement box without spindle insert	Extended spindle inserts (extension in mm)														Universal cover plate		Sealing compound 2300 0.5 kg 45090059
		0 normal	5	7,5	10	12,5	15	20	25	28	30	35	40	45	50	Stainless steel	Satin brass	
		45200401	45200402	45200403	45200404	45200419	45200405	45200406	45200407	45200414	45200408	45200409	45200410	45200411	45200412	46700022	46700023	
Standard																		
EN 2 81125002	EN 2 81125001	#	#	#	#	#	#	#	#	#	#	#	#	#	#	#	#	#
EN 3 81110002	EN 3 81110001	#	#	#	#	#	#	#	#	#	#	#	#	#	#	#	#	#
EN 4 81100002	EN 4 81100001	#	#	#	#	#	#	#	#	#	#	#	#	#	#	#	#	#
with hold-open 90°																		
EN 2 81225002	EN 2 81225001	#	#	#	#	#	#	#	#	#	#	#	#	#	#	#	#	#
EN 3 81210002	EN 3 81210001	#	#	#	#	#	#	#	#	#	#	#	#	#	#	#	#	#
EN 4 81200002	EN 4 81200001	#	#	#	#	#	#	#	#	#	#	#	#	#	#	#	#	#
with hold-open 105°																		
EN 2 81325002	EN 2 81325001	#	#	#	#	#	#	#	#	#	#	#	#	#	#	#	#	#
EN 3 81310002	EN 3 81310001	#	#	#	#	#	#	#	#	#	#	#	#	#	#	#	#	#
EN 4 81300002	EN 4 81300001	#	#	#	#	#	#	#	#	#	#	#	#	#	#	#	#	#

= Accessory



Specification text

Floor spring for double action doors, with hydraulic fully controlled closing from approx. 130°; including cement box and removeable spindle insert.

Size

- EN 2
- EN 3
- EN 4

Models

- Standard
- Hold-open 90°
- Hold-open 105°

Accessories

- Universal cover plate
 - Stainless steel
 - Satin brass
- Extended spindle insert, . . . mm extended
- Sealing compound

Make: DORMA BTS 84

DORMA Door Controls Ltd.
DORMA Trading Park
Staffa Road
GB-London E10 7QX
Tel. 020 8558 8411
Fax 020 8558 6122
E-mail:
hardware@dorma-a-uk.co.uk

DORMA Door Controls Ltd.
19, Sandyford Office Park
Foxrock
IRL-Dublin 18
Tel. 01 295 82 80-82
Fax 01 295 85 84
E-mail:
dormadublin@dorma.com

DORMA Door Controls Pte. Ltd.
No. 2, Jalan Terusan, Jurong
Singapore 619285
Rep. of Singapore
Tel. 0065 62687633
Fax 0065 62657914

DORMA Door Controls Pty. Ltd.
P.O. Box 1092
Narre Warren Vic 3805
52 Abbott Road
Hallam/Victoria 3803
Australia
Tel. 0061 3/97 96 35 55
Fax 0061 3/97 96 39 55

DORMA Gulf Door Controls FZE
Jebel Ali Free Zone, Roundabout 8,
Unit VC 02
P.O. Box 17268
Jebel Ali, Dubai
United Arab Emirates
Tel. 00971 48/83 90 14
Fax 00971 48/83 90 15

DORMA Door Controls (Pty.) Ltd.
Kings Court
P.O. Box 82182
2135 Southdale
South Africa
Tel. 0027 11/8 30 02 80
Fax 0027 11/8 30 02 91

DORMA GmbH + Co. KG
P.O. Box 40 09
D-58247 Ennepetal
Breckerfelder Straße 42-48
D-58256 Ennepetal
Germany
Tel. +49(0)23 33/7 93-0
Fax +49(0)23 33/79 34 95

The address of a subsidiary/
representation in your area you
can find at the DORMA website:
www.dorma.com