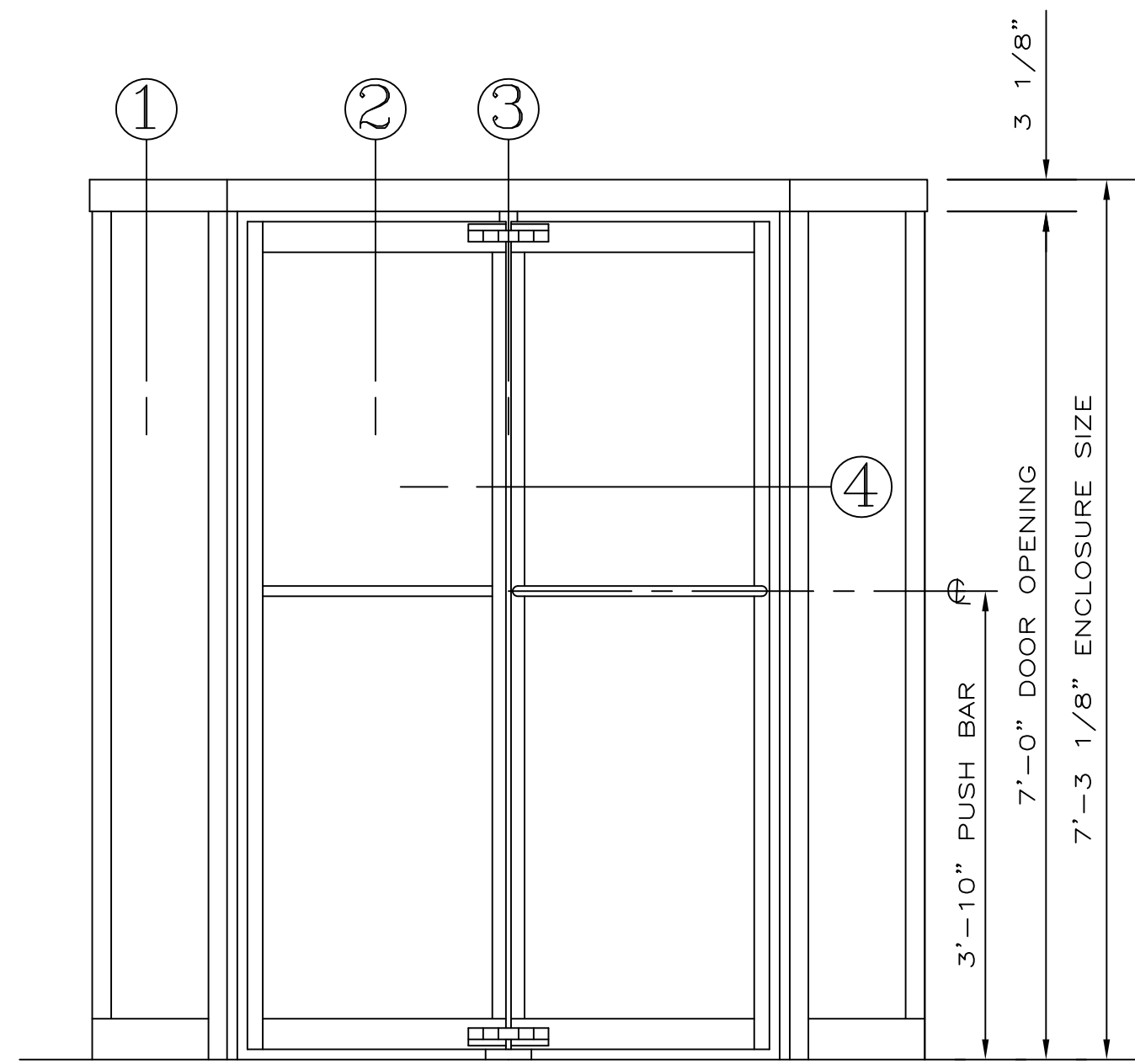
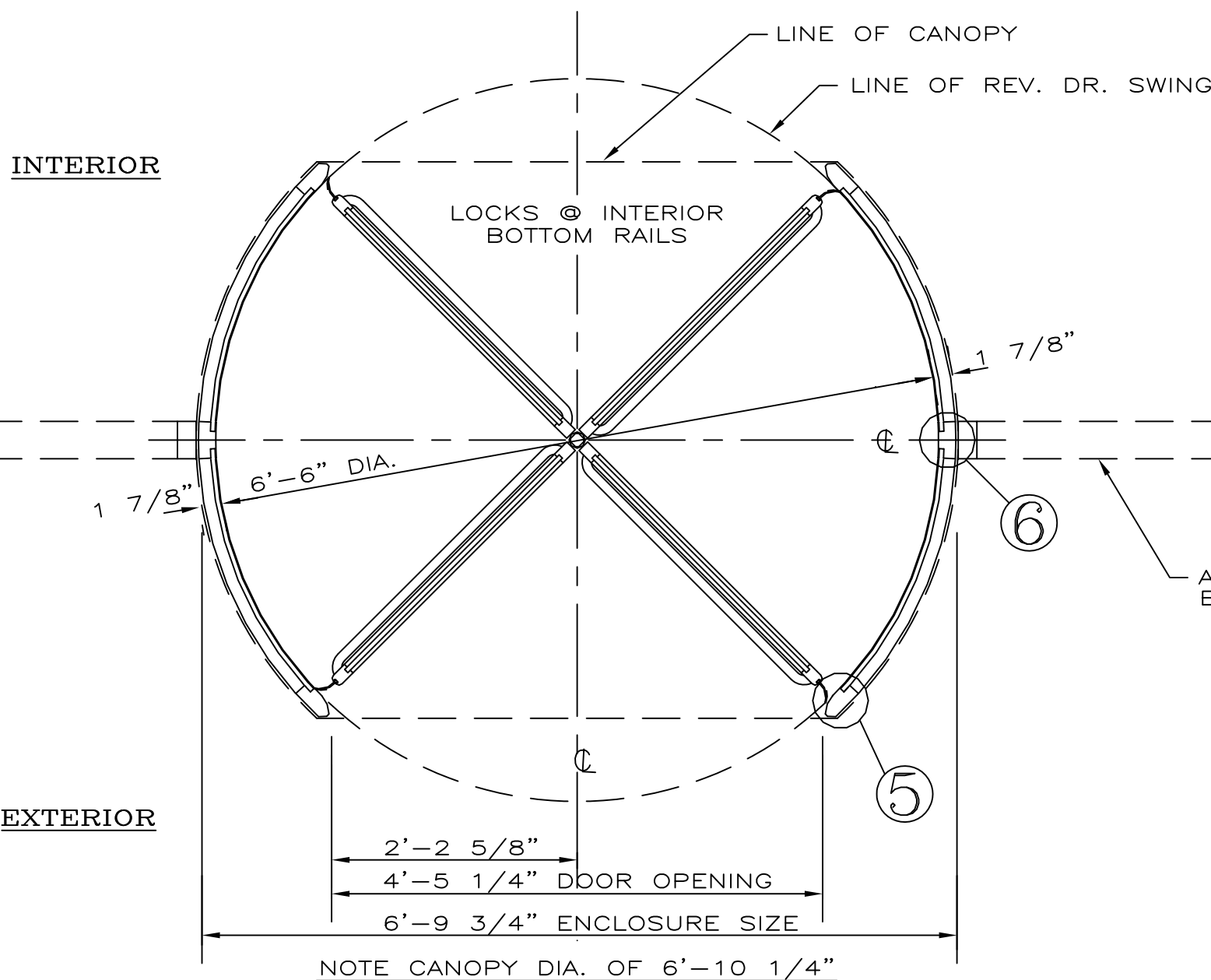


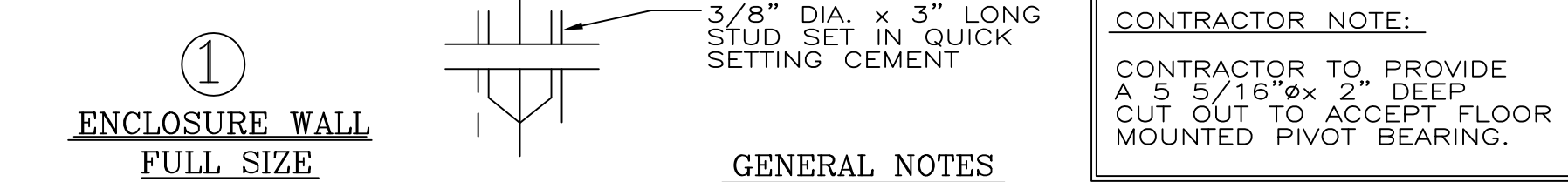
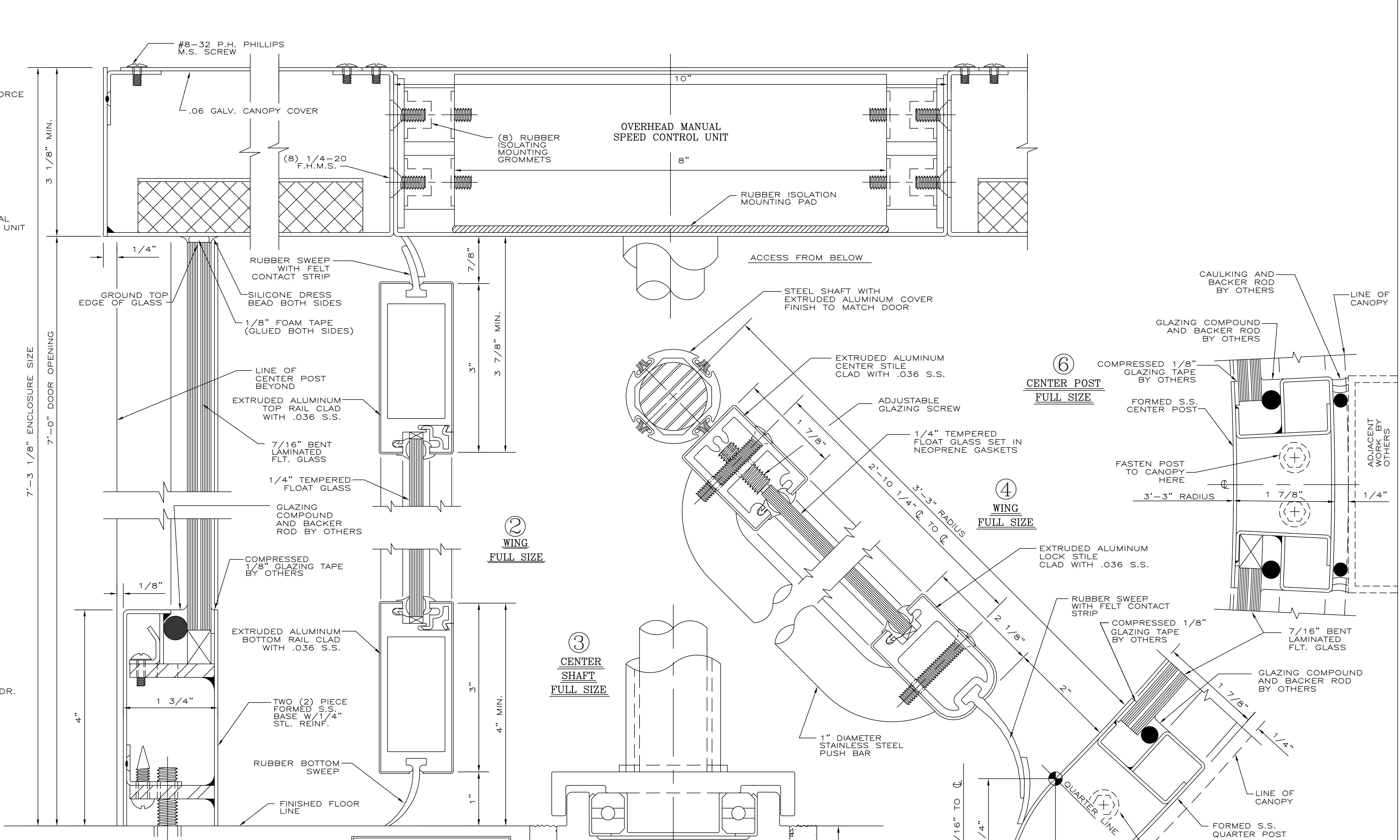
CANOPY REINFORCING PLAN
SCALE: 3/4" = 1'-0"



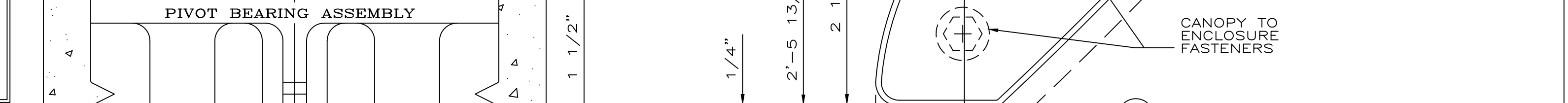
ELEVATION NOTE: FLOOR UNDER REV. DR. MUST BE LEVEL
ONE (1) DOOR REQUIRED THUS SCALE: 3/4" = 1'-0"



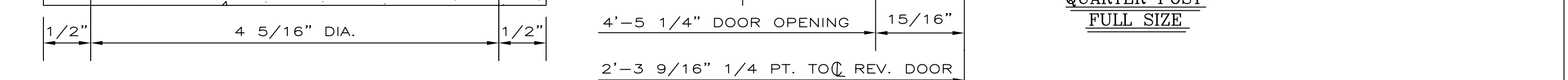
PLAN SCALE: 3/4" = 1'-0"



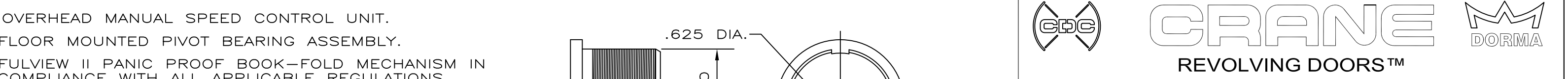
ENCLOSURE WALL FULL SIZE



WING FULL SIZE



CENTER SHAFT FULL SIZE



QUARTER POST FULL SIZE

CONTRACTOR NOTE:
CONTRACTOR TO PROVIDE A 5 5/16" x 2" DEEP CUT OUT TO ACCEPT FLOOR MOUNTED PIVOT BEARING.

GENERAL NOTES

CONTRACTOR SHOULD CHECK & TAKE NOTE OF ALL DIMENSIONS AS C.D.C. (CRANE DOOR CO.) ASSUMES NO RESPONSIBILITY BEYOND MANUFACTURING IN ACCORDANCE WITH THE DIMENSIONS SHOWN ON SHOP DRAWINGS.

APPROVAL INDICATES THAT THIS SHOP DRAWING HAS BEEN CHECKED AND THAT YOU AUTHORIZE US TO FABRICATE MATERIALS AS SHOWN HERE-IN.

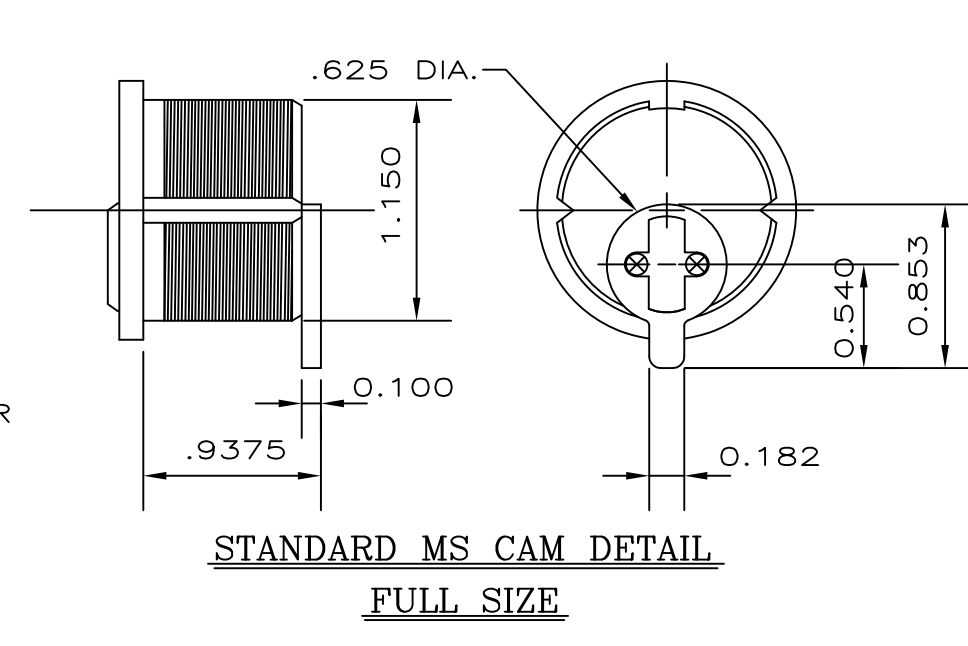
REVOLVING DOOR PERIMETER CAULKING (INCLUDING BASE SECTION TO FLOOR) AND CANOPY COVER CAULKING NOT BY C.D.C. ALL HOLES IN FLOOR NOT BY C.D.C.

MATERIAL TO BE:
MINIMUM .060 THICKNESS STAINLESS STEEL TYPE 304 (CANOPY & ENCLOSURE)
MINIMUM .036 THICKNESS STAINLESS STEEL TYPE 304 (CLAD WINGS)
EXTRUDED ALUMINUM OF 6063-T52 ALLOY. (UNLESS OTHERWISE SPECIFIED)

FINISH TO BE:
CRANE STANDARD #4 SATIN

GLASS TO BE: CLEAR (TO MEET ANSI Z97.1 AND 16CFR1201 ALL TEMPERED GLASS TO HAVE SAFETY LOGOS. IF ADDITIONAL LOGOS ARE REQUIRED PLEASE SPECIFY.)
1/4" TEMP. FLT. FOR WINGS
7/16" BENT LAMINATED FLT. FOR ENCLOSURE

- HARDWARE SCHEDULE**
- OVERHEAD MANUAL SPEED CONTROL UNIT.
 - FLOOR MOUNTED PIVOT BEARING ASSEMBLY.
 - FULVIEW II PANIC PROOF BOOK-FOLD MECHANISM IN COMPLIANCE WITH ALL APPLICABLE REGULATIONS.
 - LOCKS: SPECIAL REV. DR. TYPE TWO (2) REQUIRED INSTALLED AT BOTTOM RAILS OF TWO ADJACENT WINGS FOR INTERIOR LOCKING.
 - CYLINDERS: STANDARD SIZE MORTISE TYPE, TWO (2) REQUIRED PER REV. DR. UNIT, TO BE SUPPLIED BY OTHERS TO C.D.C. FOR SHOP INSTALLATION.
 - PUSH BARS: 1" DIAMETER S.S., FINISH TO MATCH DOOR



STANDARD MS CAM DETAIL FULL SIZE

NOTE: PRIOR TO FABRICATION, SHOP DRAWINGS AND FINISH SAMPLES MUST BE FULLY APPROVED AND RETURNED TO C.D.C.

CRANE DORMA	
REVOLVING DOORS™	
PHONE : 847-295-2700	FAX : 847-295-5288
SCALE : AS SHOWN	JOB NAME :
DRAWN BY : JNP	REVISIONS :
XXX	
LOCATION :	PLEASE ADVISE
ARCHITECT :	PLEASE ADVISE
CONTRACTOR :	PLEASE ADVISE
SUB. CONTRACTOR :	PLEASE ADVISE
MFG. REPRESENTATIVE :	PLEASE ADVISE
FAB. CHECK :	HOW. CHECK :
CHECKED BY :	NOTES :
ORD. NO. :	X
DATE : 2009	SHEET OF DRAWING NO. : SS 2000 C