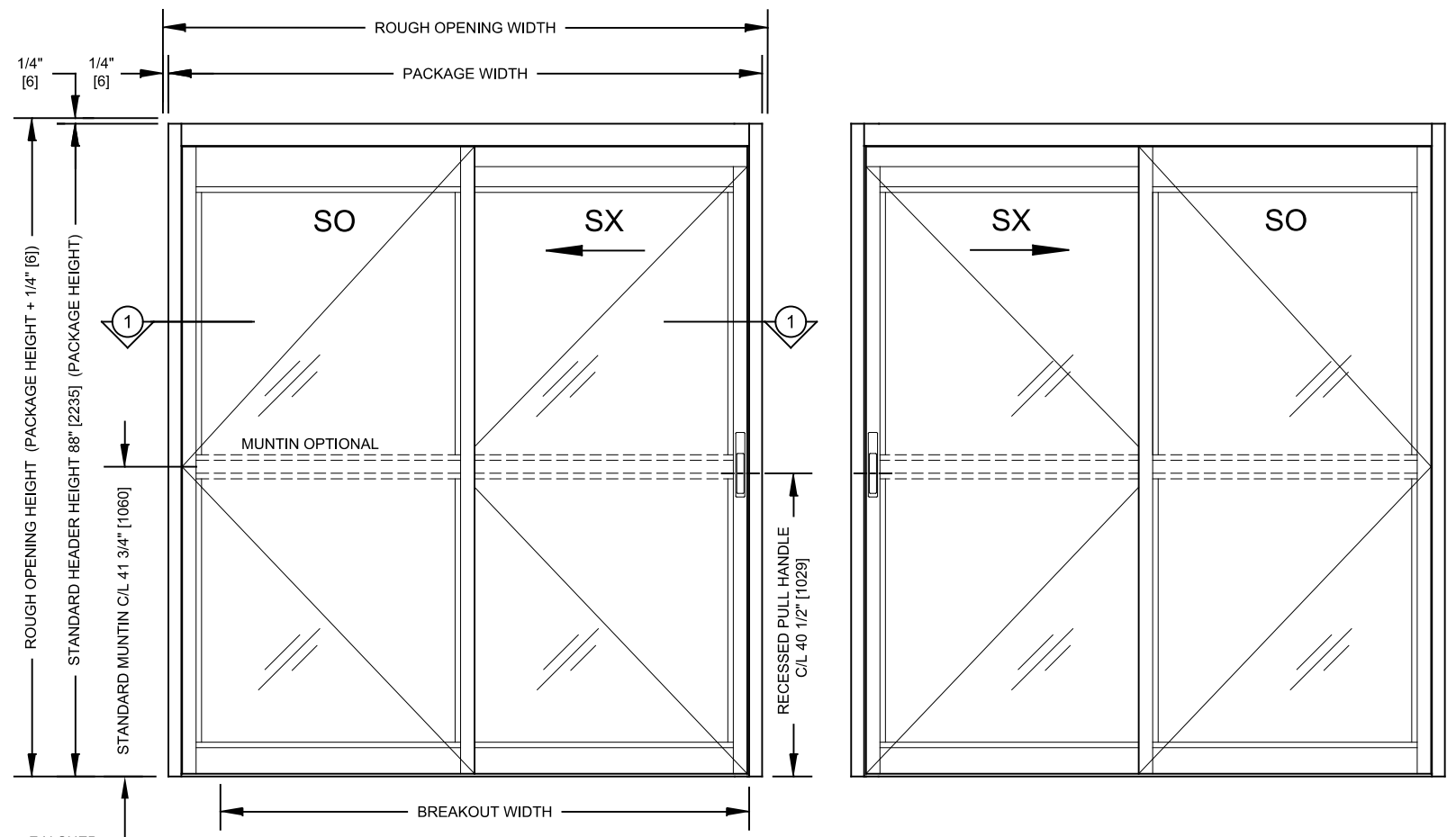
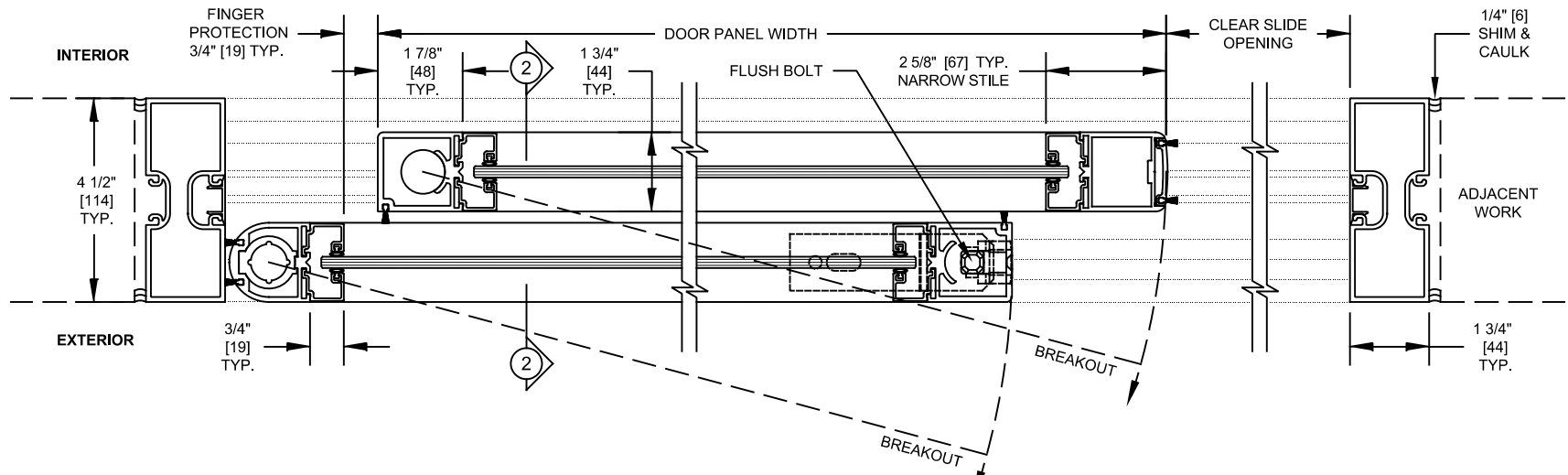


SECTION 2
TYPE: SO-SX, SX-SO
(RECESSED)



EXTERIOR ELEVATION
TYPE: SO-SX, SX-SO



SECTION 1
TYPE: SO-SX SHOWN, SX-SO OPPOSITE
DOOR SHOWN IN OPEN POSITION

FLUSH BOLT IN SIDELIGHT MUST BE THROWN TO RELEASE FULL BREAKOUT

Package Width	Rough Opening Width	Clear Slide Opening	Door Panel Width	Breakout Width
(6'-6") 78" [1981]	78 1/2" [1994]	32 3/8" [822]	38 7/16" [976]	70 3/4" [1797]
(7'-0") 84" [2134]	84 1/2" [2146]	35 3/8" [898]	41 7/16" [1053]	76 3/4" [1949]
(8'-0") 96" [2438]	96 1/2" [2451]	41 3/8" [1050]	47 7/16" [1205]	88 3/4" [2254]
(9'-0") 108" [2743]	108 1/2" [2756]	47 3/8" [1203]	53 7/16" [1357]	100 3/4" [2559]
Width Formulas	(Package Width) + 1/2" [13]	(Package Width / 2) - 9/16" [168]	(Package Width / 2) - 9/16" [14]	(Package Width) - 7 1/4" [184]

- This Standard Single door package consists of:
 - Panels:
 - 2-5/8" [67] Narrow stile door panels (including 3/4" [19] wide glass stop).
 - 3-1/4" [83] Optional muntin mounted at 41-3/4" [1060] centerline on all panels (including 3/4" [19] wide glass stop).
 - Recessed pull handle on SX panel.
 - 4" [102] Bottom rails (including 3/4" [19] wide glass stop).
 - 1-3/4" [44] x 4-1/2" [114] Double pocket jambs.
 - Vertical and horizontal brush type weather stripping (AAMA-701-11Class A).
 - 3/4" [19] wide snap-in glass stops for glazing from 1/4" [6] to 1-1/4" [32] thick at 1/8" [3] increments.
 - ADA Compliant recessed track and threshold 1/2" [13] x 4 1/2" [114].
 - Breakaway sliding door panels (SX) and breakaway sidelights (SO) panels.
 - Limit arm on SX and SO Panels.
 - Flush Bolt on SO panels.
 - Finishes:
 - Clear anodized (BHMA 204).
 - Dark Bronze anodized (BHMA 313).
- Typical Package Options:
 - Positive Latch options: (see options page).
 - Jamb Latch.
 - Concealed.
 - Finishes: special anodized, PVDF (wet) paint, powder coat, and cladding available. header, panels and jambs only.
 - Muntins: multiple, various heights, and locations.
 - Bottom Rails: 7" [178], 10" [254]. Other heights available.
 - Smoke rated Package available.
 - Locking and Security Options:
 - Manual two point mortise lock with thumb turn and key cylinder.
 - Security contacts.
 - Jambs: 1 3/4" [44] x 4-1/2" [114] Smooth jambs.
- Drawing Notes:
 - Drawing dimensions are in English & Metric units. Metric units are displayed as: 1" [25] millimeters.
 - Typical package dimensions: (Glass thickness may be limited by panel size)
 - Each door package is manufactured to your custom size requirements.
 - Package Width: Min. 6'-6" [1981] to Max. 9' [2743].
 - Header Height: Min. 7' [2134] to Max. 9' [2743].
 - Panel Weight: Max. Weight 200 lbs [90kg].
 - SX Panel Size Limit = (SX Panel Width x Weight) < 800 ft-lbs [1084 N-m] Max.
- Standards of Compliance:
 - Designed to comply with these standards depending on installation and application:
 - International Building Code (Section 1008).
 - NFPA 101 Life Safety Code (Section 7.2.1.9).
 - Refer to Local, State, National or AHJ. Building Code for minimum door height and minimum/maximum width allowable for egress requirements.
 - Minimum ADA is 32" clear slide opening.
- Contact dormakaba Architectural Services for more information:
 - Phone: 1-844-SPEC-NOW (1-844-773-2669)