

A grayscale photograph of a modern revolving door, model KTC 2, set in a building entrance. The door is partially open, revealing a bright interior with a staircase and glass railings. A semi-transparent white rectangular box is overlaid on the left side of the door, containing the text "KTC 2" and a horizontal line. A solid black vertical bar is positioned to the left of this white box.

## KTC 2

---

Revolving door  
COMFORTLINE

## SAFETY AND COMFORT COMBINED IN A SOPHISTICATED ENTRANCE SYSTEM

The entrance area is the showcase of a building. No other component makes such a lasting first impression on visitors or complements the facade so effectively. High requirements therefore have to be placed on the visual quality of a door system, on its design and functionality. The KTC 2 two-wing revolving door system offers plenty of scope for

architectural creativity. Thanks to the variability of its design and a broad selection of surface finishes, it will enhance the entrance of any building, giving it both uniqueness and style. Easy to operate and suited to the requirements of wheelchair users, the KTC 2 also raises accessibility and convenience to a new level.

The wide range of functions ensures high traffic capacities even during peak traffic periods, plus unbeatable safety. And there are major additional benefits to be had from the suitability of these doors as advertising space. It is furthermore important for the economic operation of a building to provide effective protection of its interior against

cold, heat, strong draft, noise and dust. The two-wing revolving door KTC 2 comprehensively supports these requirements and is available in 4 standard sizes with an integrated passage door. Thanks to its integrated night shield and a wide range of optional accessories, it is suitable for a variety of applications.



## TWICE AS CONVENIENT THANKS TO ITS INTEGRATED AUTOMATIC SLIDING DOOR

This intelligent revolving door with its automatic sliding door – integrated in the system's turnstile – will convince both the facility operator and the user of its various benefits.

### **Revolving door system for average traffic capacities**

During everyday business, the KTC 2 optimizes user traffic and at the same time reliably protects from external influences.

Special brush seals help to create a sensible climate barrier between the interior and the exterior of the building. This feature helps to reduce heating or air conditioning costs, while the low energy consumption of the drive motor is a further benefit that should not be forgotten.

### **Sliding door for heavy user traffic**

Whenever a large number of guests use the door or bulky items have to be carried through the door system, the automatic sliding door, which is integrated in the system's turnstile, provides maximum convenience. Using the well established DORMA ES 200 sliding door technology ensures reliable operation and high user comfort.



# DIMENSIONS, OPTIONS

Specifications and functional characteristics				
Internal diameter (D) in mm	3600	4200	4800	5400
Door set, powder coated, width (B) in mm	3841	4441	5041	5641
Door set, cladded, width (B) in mm	3846	4446	5046	5646
External diameter drum wall (B1) in mm	3664	4264	4864	5464
External diameter canopy (B2) in mm	3820	4420	5020	5620
Passage width, revolving door (LW) in mm	1646	1946	2246	2546
Passage width, sliding door (DW) in mm	1618	1918	2218	2518
People per section <sup>1)</sup>	3	5	7	9
Users per hour <sup>1)</sup>	1400	2000	2500	2900
Clear passage height (LH) in mm depending on system diameter	2100 – 3000 <sup>2)</sup>			
Canopy height (SH) in mm	300 – 700 <sup>4)</sup>			
System height (H) in mm	Clear passage height + canopy height			
Glazed drum walls	●			
Drum walls with metal panelling	○			
Prepared for rain-proof ceiling	○			
Winter configuration	○			
Floor ring	○			
Floor mat	○			
Downlights, 6 pcs.	●			
Design for compliance with various national escape route requirements <sup>3)</sup>	○			
German type approval to DIN 18650 and EN 16005 (certified)	○			

● standard ○ option

<sup>1)</sup> User capacity when the revolving door is entered in both directions under standard conditions

<sup>2)</sup> See "Maximum clear passage height for KTC 2"

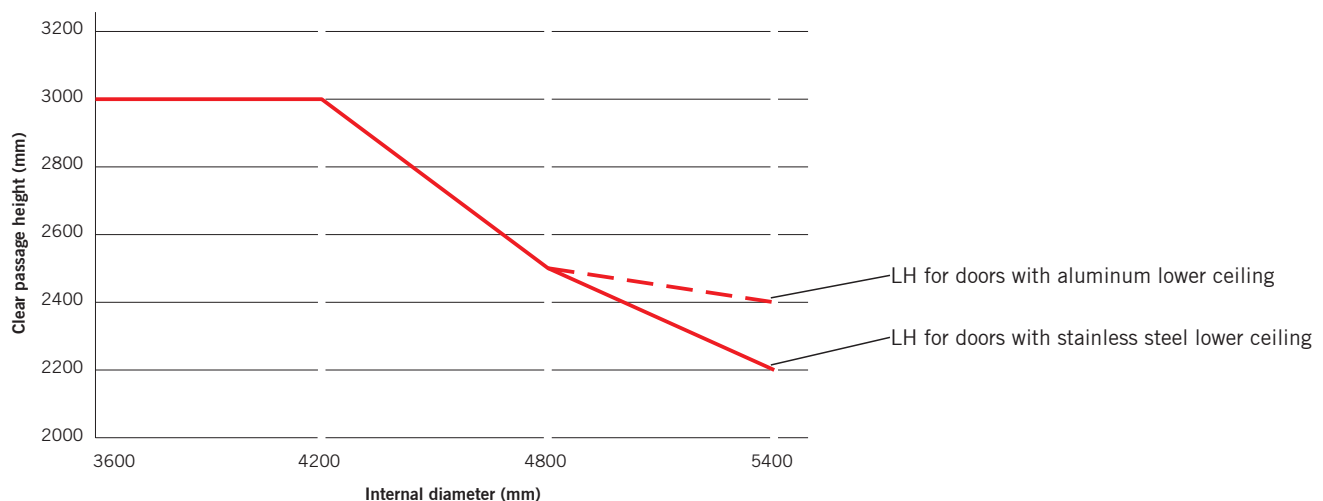
<sup>3)</sup> Depending on the prevailing national provisions

<sup>4)</sup> Higher canopy height on request

## Benefits

- Spacious entrance
- Integrated automatic sliding door
- Easy passage of bulky items
- Suitable for disabled users
- Large sections
- Integrated night shield
- Showcases for advertising purposes
- With sliding door also available in 3600 + 4200 mm without showcases
- Highest safety standard
- Redundant design for compliance with various national escape route requirements
- Complete system manufactured with industrial precision and in assured quality

## Maximum clear passage height for KTC 2

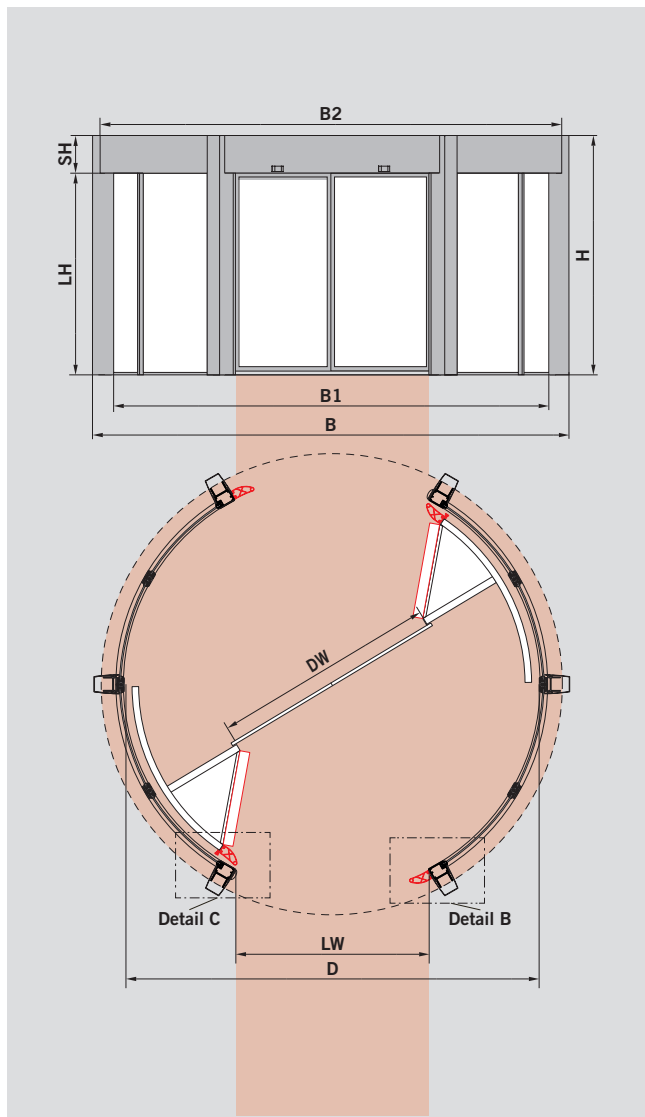
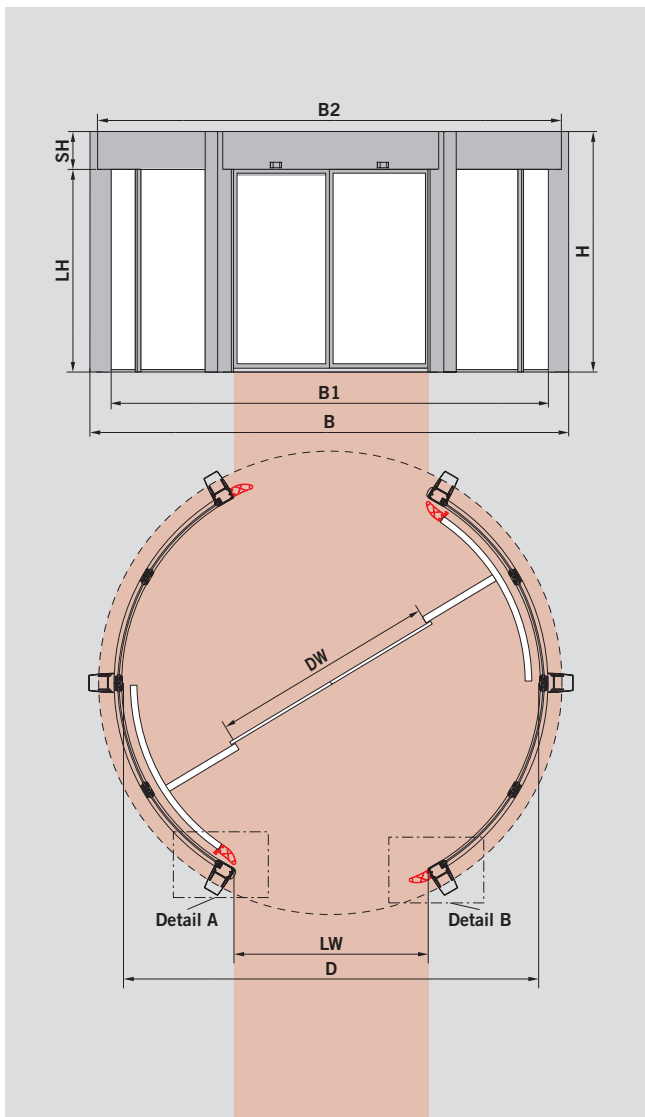


**KTC 2/0 without showcases**

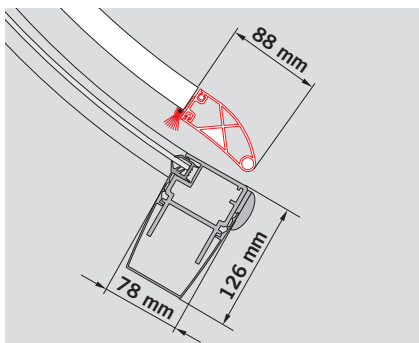
- The two-wing revolving door system KTC 2/0 is available in 2 standard sizes (3600 & 4200 mm)
- The integrated night shield is equipped with 6.7 mm laminated safety glass
- The drum walls may either be glazed or supplied with metal panelling

**KTC 2/2 with showcases**

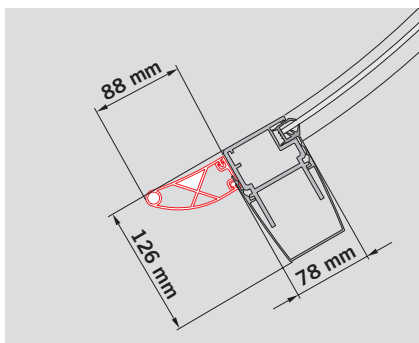
- The KTC 2/2 version is additionally supplied with 2 triangular showcases on the outside
- Max. load for showcases = 20 kg
- Available in all 4 sizes (3600, 4200, 4800 & 5400 mm)



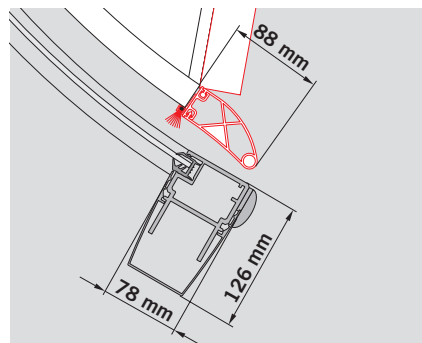
**Detail A**



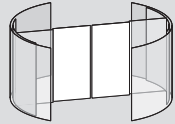
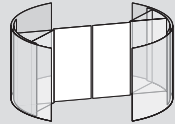
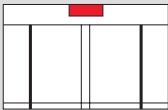
**Detail B**



**Detail C**



# VERSIONS, CONFIGURATIONS

	KTC 2/0 without showcases	KTC 2/2 with showcases
<b>Versions</b>		
<b>Operator types</b>		
<b>Automatic</b>	<p>I: The door starts and stops automatically</p> <p>II: The door revolves permanently at low speed, which is increased as soon as a user approaches the door system</p>	
<b>Speed limiter</b>	<p>This feature limits the speed to approx. 1 rpm to suit the requirements of senior citizens and/or people with disabilities.</p>	
<b>Night shield</b>	<p>Turnstile may be locked electrically and mechanically</p>	
<b>Summer configuration</b>	<p>This configuration is also perfectly suitable for bulky items, luggage or consignment deliveries.</p>	



## SUITABLE FOR WHEELCHAIR USERS

In order to ensure convenient wheelchair access, various factors have to be considered.

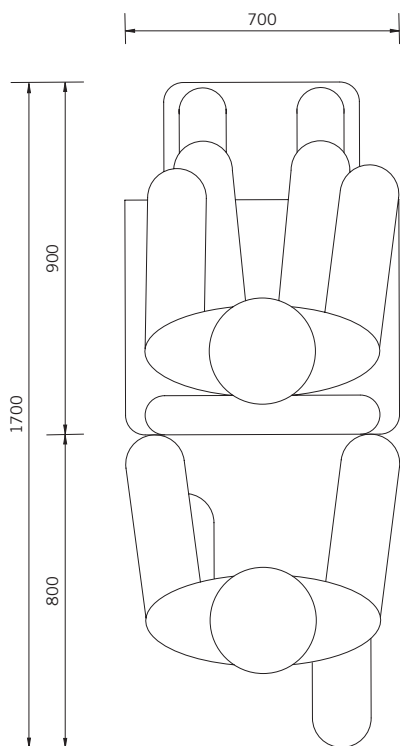
The most important criterion is the size of the section. The drawings indicate the required space for the passage of a wheelchair user plus assistant.

Please note that the manufacturer of the door system has only estimated the required dimensions for the wheelchair user plus assistant.

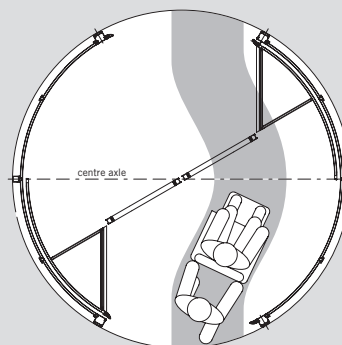
DORMA would recommend door systems with a diameter of at least 4200 mm to ensure proper wheelchair access.

A further important aspect is the door speed. We must assume that the „disabled access pushbutton“ has been activated (before the users have entered the section) and that the speed has thus been reduced to approx. 1 rpm.

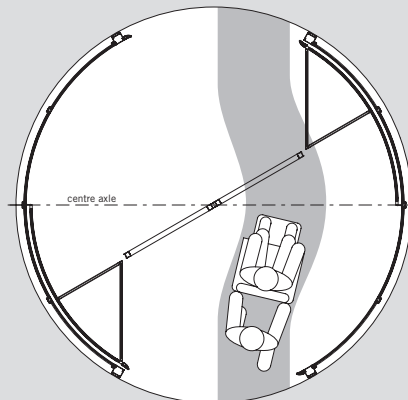
When planning your door system, please consider that the door has to be equipped with adequate optional safety equipment. The individual safety equipment has to be agreed upon with the facility operator.



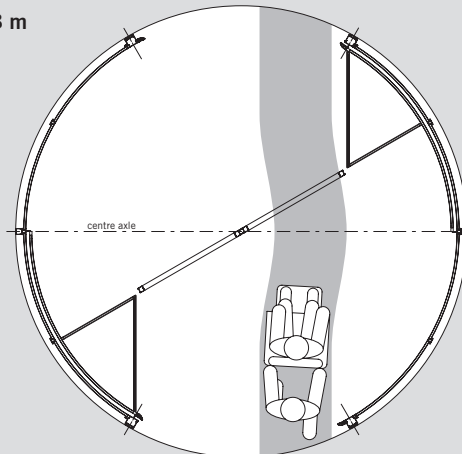
Diameter 3.6 m



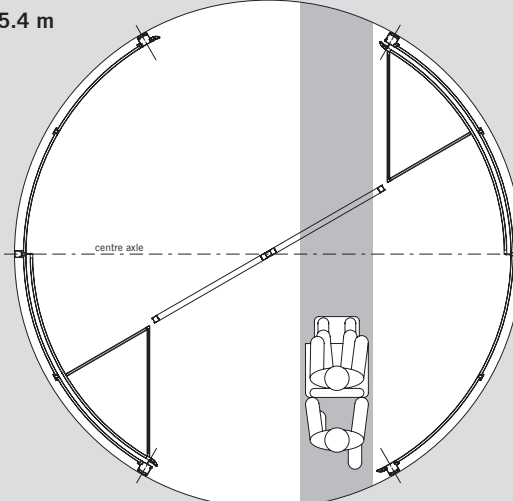
Diameter 4.2 m



Diameter 4.8 m



Diameter 5.4 m



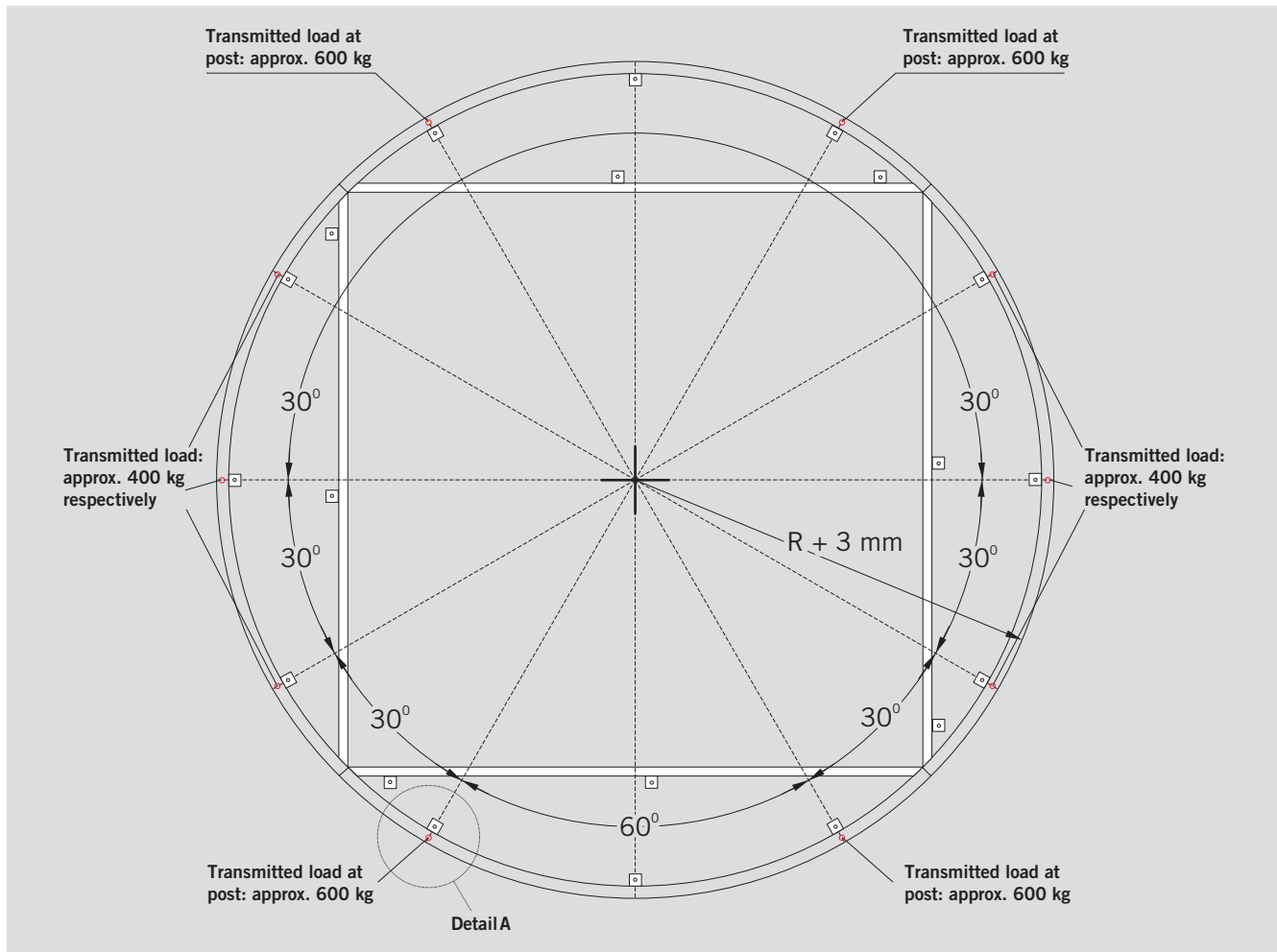
# FLOOR RINGS

## Dimensions

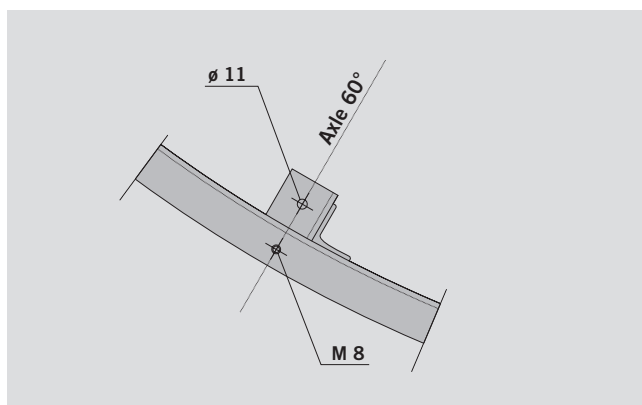
Overall size (internal diameter of door system)	3600	4200	4800	5400
Nominal radius (R)	1800	2100	2400	2700
Floor mat (C)	up to 30			

All dimensions in mm

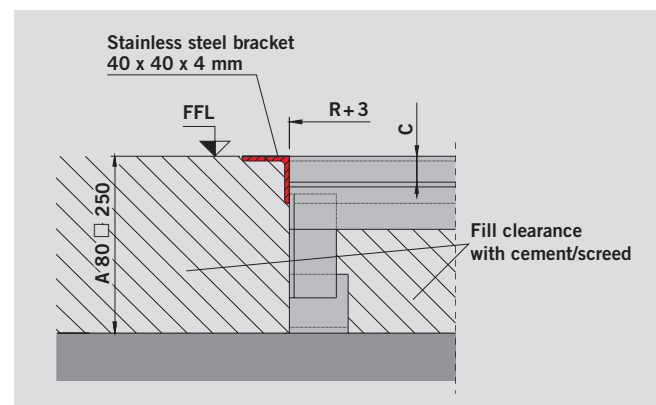
## Floor ring KTC 2



## Detail A



## Cross section





## INTEGRATED NIGHT SHIELD

As soon as the respective function is activated via the program switch, the turnstile moves in order to create the night shield.

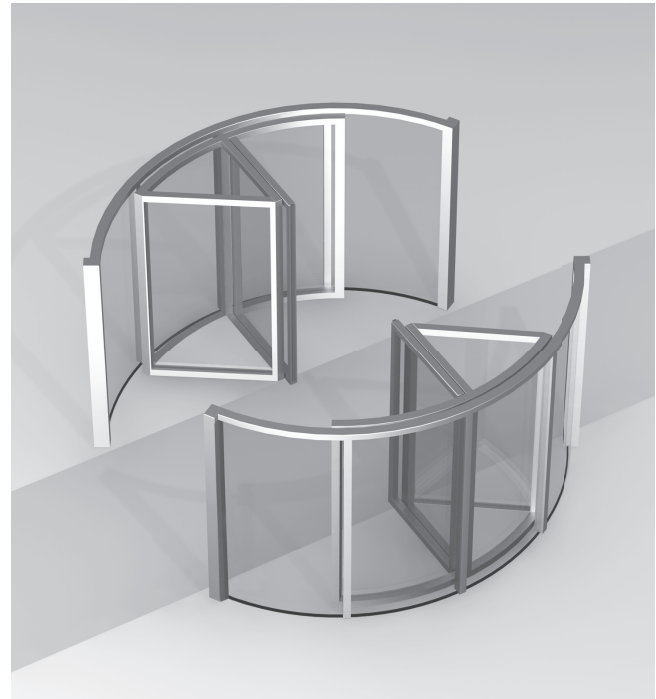
The integrated night shield is designed to close both entrances of the revolving door.



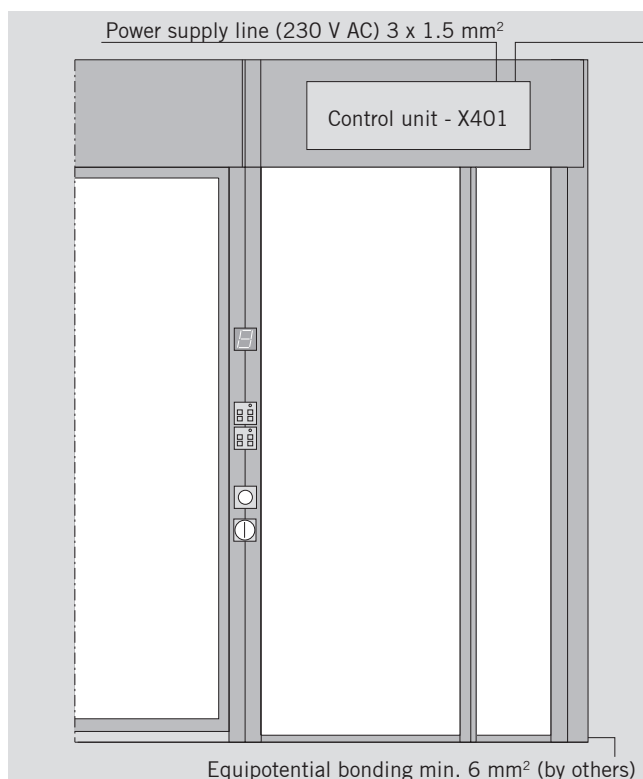
## SMOKE EXTRACTION FUNCTION

Whenever an emergency signal is triggered, the turnstile will travel to the starting position (parallel to the facade axle). As soon as the turnstile has reached this position, the centre

of the door opens automatically in order to create an escape route and a ventilation opening for the smoke extraction of the building.



## WIRING DIAGRAM



The following in-/outputs are available for external control elements:

- Input for "external emergency stop pushbutton"
- Output "walking speed"
- Output "low speed for disabled users"
- Output "positioning speed"
- Output "activated safety sensor"
- Input "winter configuration"
- Input "fire detection"
- Input "smoke extraction"

The power supply lines for the above-mentioned control elements have to be provided by others (2 x 0.75 mm<sup>2</sup> respectively).

## SAFETY EQUIPMENT

KTC 2 revolving doors offer a comprehensive range of safety equipment to ensure optimum protection of people and objects. The main closing edges are each equipped with infrared presence sensors and safety contact strips. As the showcase arrives at a point of less than 800 mm from the post profile,

the infrared presence sensors are activated in addition to the safety contact strips. The horizontal outer edges of the night shield are likewise protected by safety contact strips. The sections are monitored with the aid of an infrared light curtain, which detects the presence of people

or objects. Whenever people are moving too slowly for the revolving assembly, the operating speed will be reduced accordingly.

If a door wing meets an obstruction, the door is stopped until the obstruction has been removed. All safety functions are of redundant design. In

addition, pre-detection sensors are integrated in the ceiling and positioned in front of the moving night shield.

Their detection range is located right in front of the main closing edge and reaches from the ceiling to short above the floor.

### Automatic programs

The control unit allows the adjustment of 2 different automatic functions.

- **Automatic I:** The door does not move but is activated as soon as a user approaches the door system. After an adjustable period of time, the door will stop in its starting position.
- **Automatic II:** The door revolves permanently at a speed of approx. 1 rpm. The speed is increased to approx. 3 rpm whenever a user approaches the door and is decreased as soon as the user has left the door system.

### Speed limiter

As soon as the speed limiter has been activated by pressing the disabled access pushbutton, the operation speed is decreased to approx. 1 - 2 rpm for an adjustable period of time. This allows disabled people to use the door system conveniently (for example by passing the door in a wheelchair).

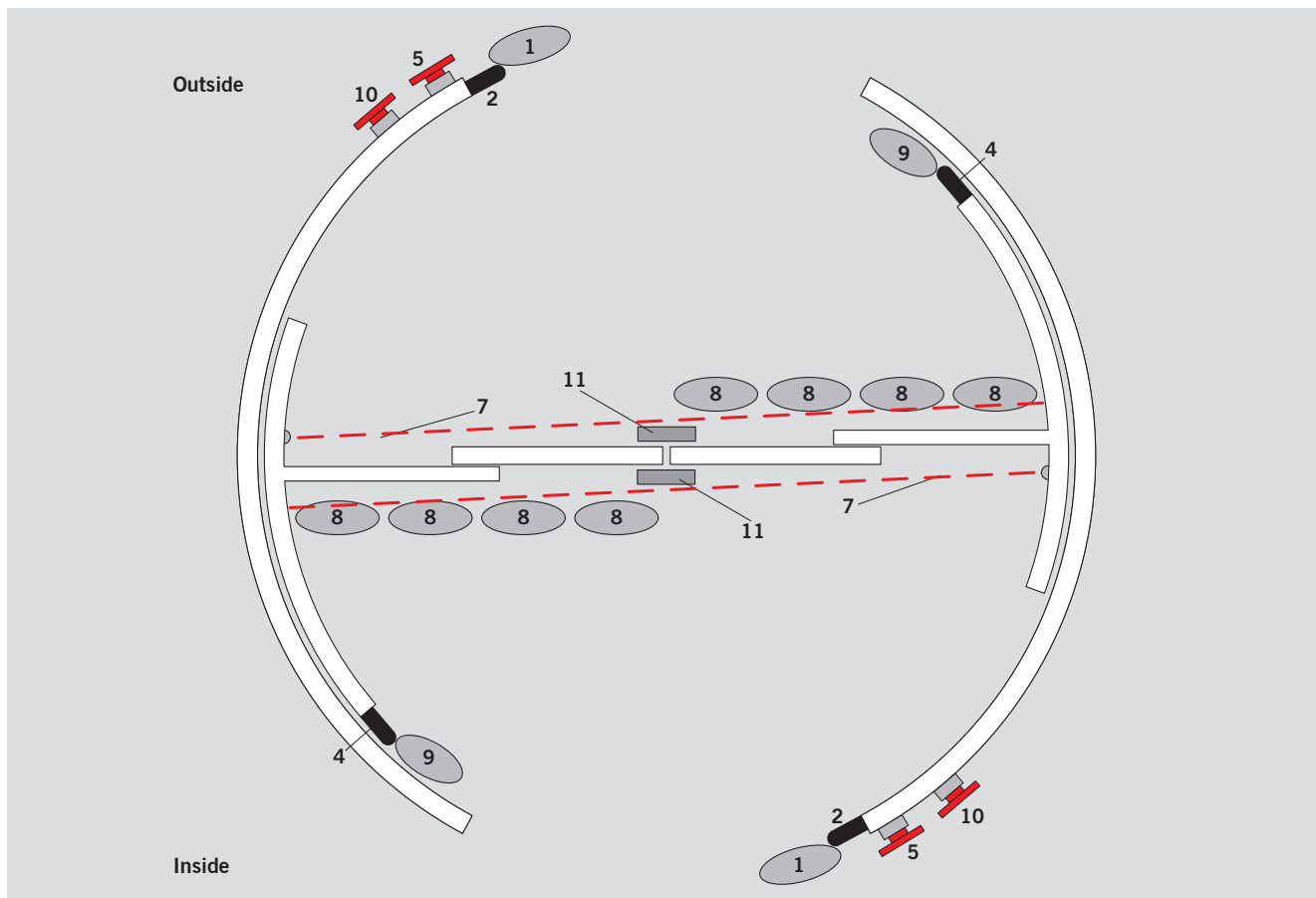
Components	Function
1 Canopy-integrated sensors (upper door posts/canopy)	Cycle at low speed/ Stop
2 Safety contact strip (door posts)	Stop
3 Safety contact strip (bottom of showcase) <sup>1)</sup>	Stop
4 Safety contact strip (front edge of integrated night shield)	Stop
5 Pushbutton for emergency stop function (door posts)	Stop
6 Safety switch (showcase door)	Stop
7 Light barrier (bottom of wing)	Stop
8 Top sensor (top of door panel/top of showcase)	Cycle at low speed/ Stop
9 Pre-detection sensor (front edge of integrated night shield/lower ceiling)	Cycle at low speed/ Stop
10 Speed limiter/disabled access pushbutton (door posts)	Cycle at low speed
11 Safety sensors and motion detectors (automatic sliding door)	Stop

<sup>1)</sup> Not relevant for door systems without showcases

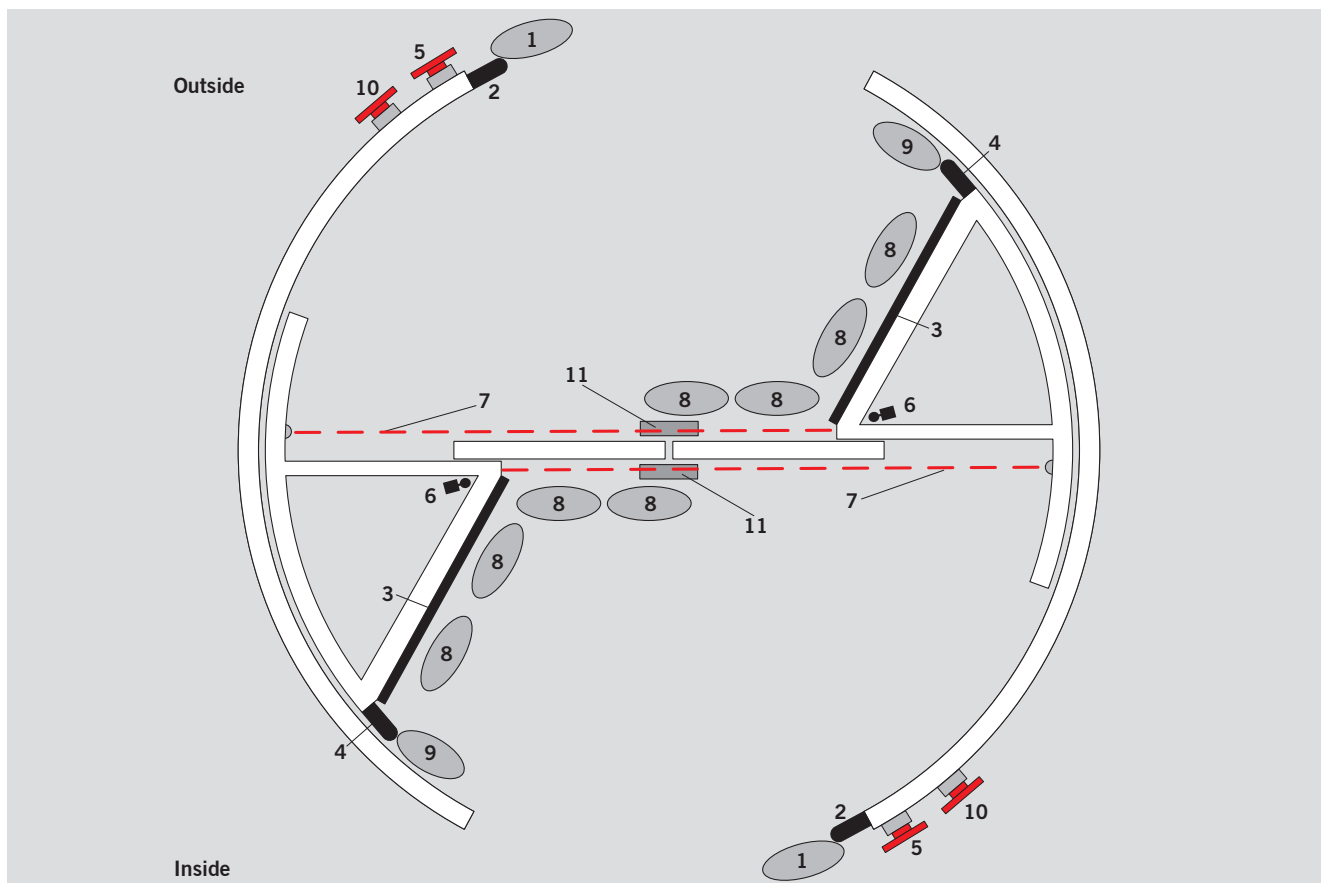
### Please note

**The safety equipment has to comply with the prevailing national guidelines.**

Safety equipment for KTC 2 with automatic sliding door and without showcases



Safety equipment for KTC 2 with automatic sliding door and showcases





DORMA Deutschland GmbH  
DORMA Platz 1  
58256 ENNEPITAL  
GERMANY  
Phone +49 2333 793-0  
Fax +49 2333 793-4950  
[www.dorma.com](http://www.dorma.com)