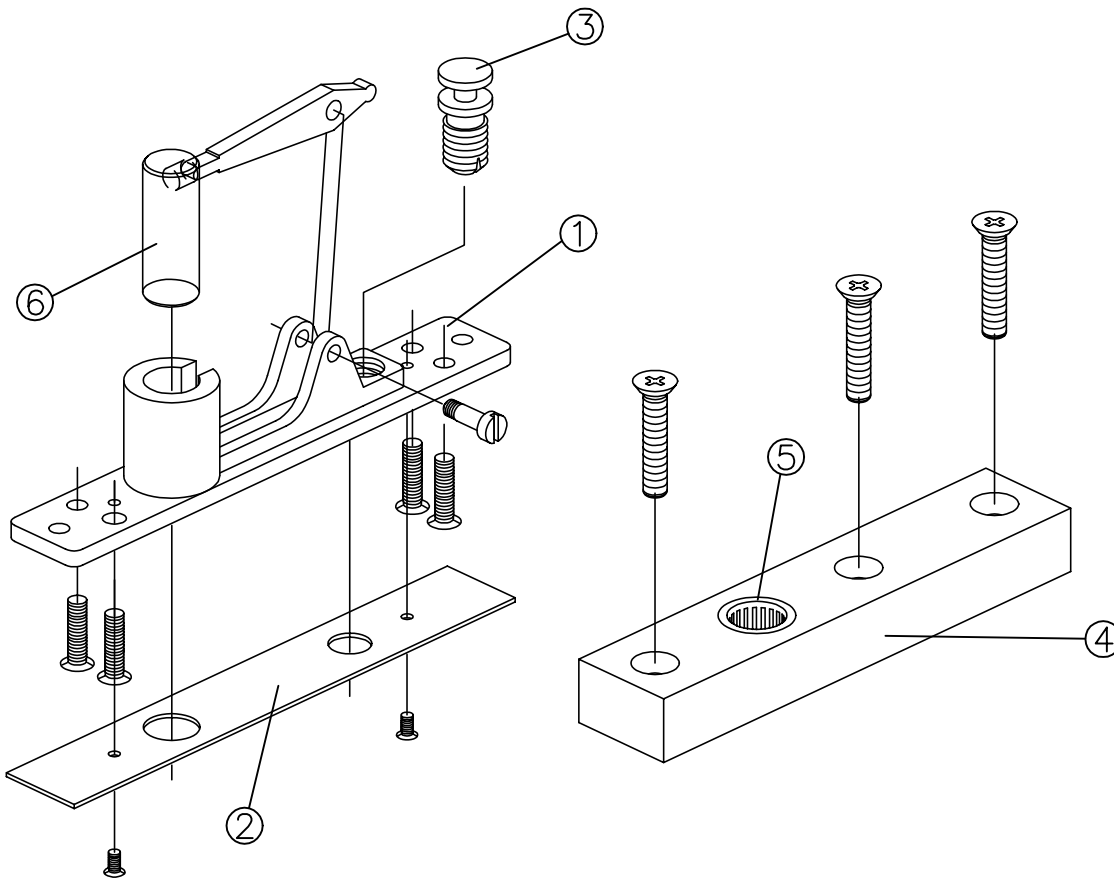


HEAVY DUTY CENTER HUNG TOP PIVOT



MODEL No.

HD8062



FINISH

1. Prepare door and header according to template.
2. Fasten header portion of pivot (1). Fasten cover plate (2). Fully retract pivot pin (6) by turning adjustment screw (3) counterclockwise. Fasten door portion of pivot (4).
3. Place bottom of door on floor closer spindle or floor bearing. Raise door to a near verticle position. Rotate door to approximately a 90° position. Align bearing (5) with pivot pin (6) in header. Engage pivot pin (6) fully by turning adjustment screw (3) clockwise.