



Panther Series

Push plates with integrated wireless technology

Description

dormakaba's Panther Series consists of 900 MHz or 433 MHz wireless technology integrated into 6" round, 4.75" round, and 4.75" square push plates.

With an integrated wireless transmitter and mounting box, the Panther Series reduces installation time by eliminating the need to run wires from the push plate or use additional mounting hardware. This offers greater mounting flexibility in areas where hard-wired push plates cannot be mounted.

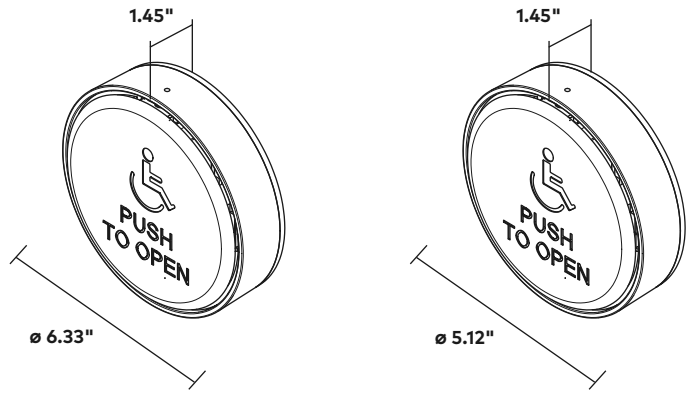
NOTE: Corresponding wireless receiver sold separately.

Features & benefits

- 1/16" thick stainless steel for maximum durability.
- Concealed fasteners minimize vandalism.
- NEMA 4 rated housing creates a weather resistant barrier that enables the push plates to be mounted in outdoor environments or wash down applications.



Panther Series push plate dimensional drawings



Technical specifications

Dimensions

6" Round	6.33" (∅) × 1.45" (D)
4.75" Round	5.12" (∅) × 1.42" (D)
4.75" Square	5.12" (W) × 5.12" (H) × 1.42" (D)

Weight

6" Round	1.2 lb
4.75" Round	1.14 lb
4.75" Square	1.04 lb

Mounting options

Surface or bollard mount

Transmitter frequency

433 MHz or 900 MHz

Power

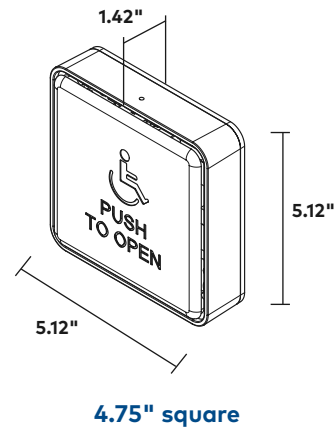
(1) 12 V Type A23
(2) CR2032

Material

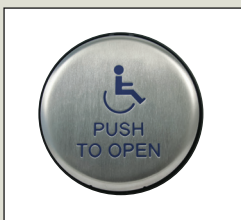
16 Gauge, 304 2B Stainless Steel
ABS plastic

Degree of protection

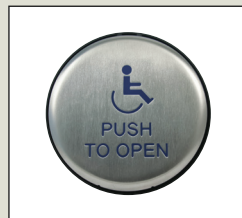
NEMA 4 / IP65
FCC IC Part 15 approved



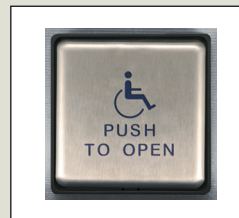
Panther Series push plates



DX3339-020
6" ROUND WITH 433 MHZ TEXT & INTERNATIONAL SYMBOL FOR ACCESS (ISA) ICON



DX3339-010
4.75" ROUND WITH 433 MHZ TEXT & ISA ICON



DX3339-030
4.75" SQUARE WITH 433 MHZ TEXT & ISA ICON



dormakaba USA Inc.
Dorma Drive, Drawer AC
Reamstown, PA 17567
844-SPECNOW
www.dormakaba.us

dormakaba Canada
1680 Courtney Park Dr. Unit 13
Mississauga, ON L5T 1R4
800.387.4938
www.dormakaba.ca