



8070

Entrance Pull Handles

dormakaba's entrance pull handles epitomize the high quality ambitions of the dormakaba brand – designed for excellence down to the very last detail and exuding fine craftsmanship.

They offer genuine quality, characterised by clearly defined features – irrespective of shape or size.

Created in solid, premium 316 Marine Grade Stainless Steel offering superior corrosion resistance for internal and external use in high traffic buildings.

The 8070 entrance pull handles are an ideal choice for residential and commercial applications and are suitable for use on glass, timber and aluminium doors.

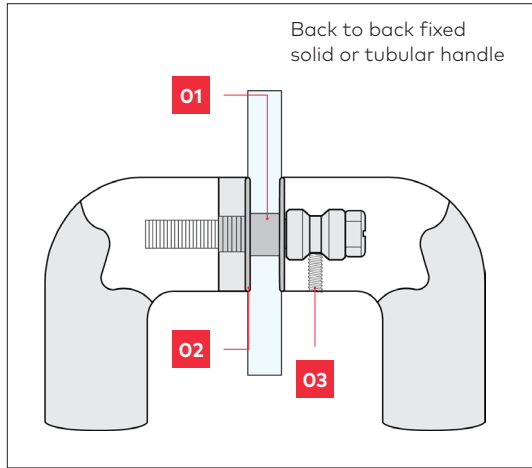
Please refer to ordering details for a range of optional accessories to suit:

- Back to back extended fixing for timber doors
- Back to back fixing for glass doors
- Disc fixing for timber doors
- Disc fixing for glass doors

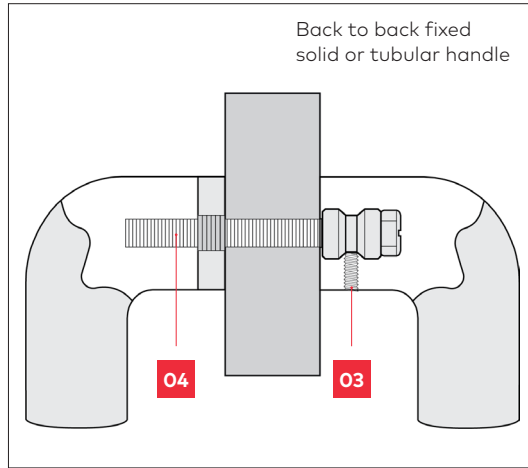
Features at a glance:

- 316 Marine Grade Stainless Steel
- Designed with your project's needs in mind
- High durability with concealed fixings
- Standard finishes: SSS and PSS
- Powdercoat and custom finishes available on request

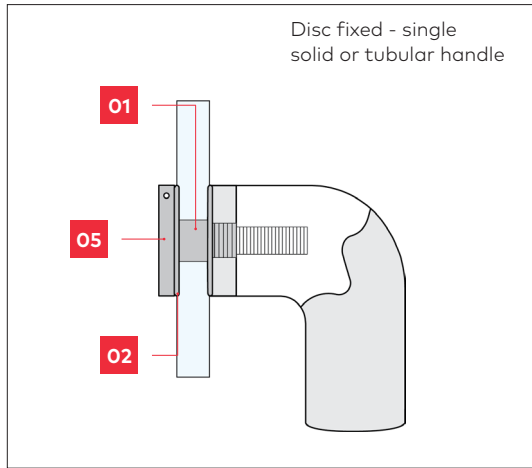
Fixing options



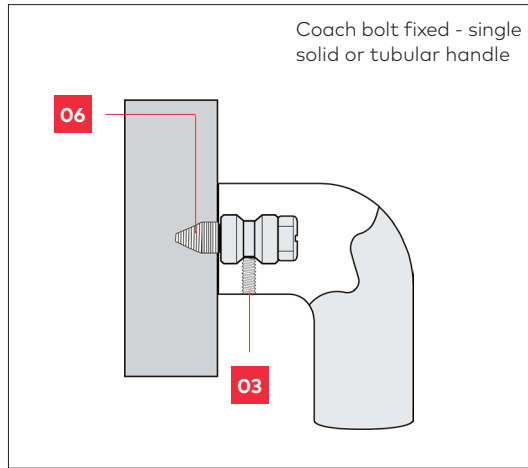
GD FIX - glass doors



TM FIX - timber or metal doors



D FIX - glass, metal or timber doors



C FIX - timber doors only

Note
Nylon spacers and washers are included with handle for glass door fixing option.

Legend
01 Spacer **03** Grub Screw **05** Disc
02 Washer **04** Bolt **06** Coach Bolt

TIMBER DOOR FIXING

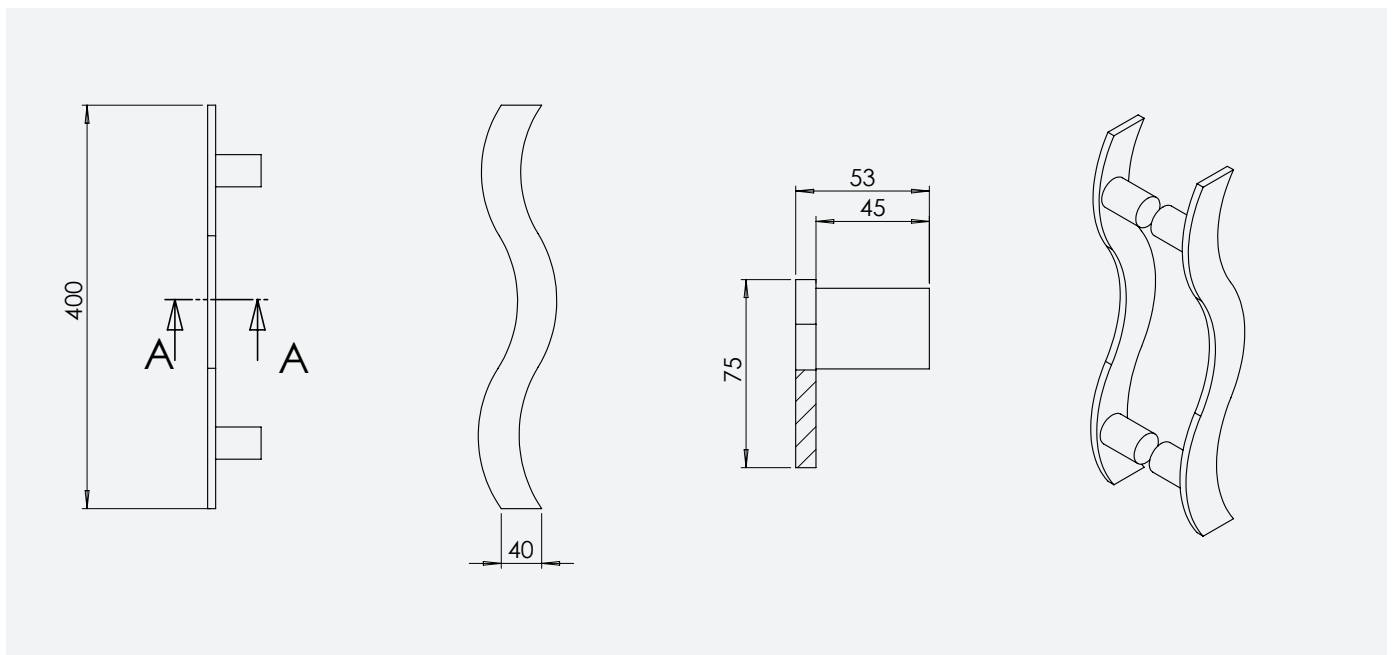
Material Size	Bolt Size
14mm Ø	5mm
16mm Ø	5mm
19mm Ø	8mm
25mm Ø	8mm
32mm Ø	8mm

METAL DOOR FIXING

Material Size	Bolt Size
14mm Ø	5mm
16mm Ø	5mm
19mm Ø	8mm
25mm Ø	8mm
32mm Ø	8mm

GLASS DOOR FIXING

Material Size	Bolt Size
14mm Ø	12mm Ø
16mm Ø	12mm Ø
19mm Ø	12mm Ø
25mm Ø	12mm Ø
32mm Ø	12mm Ø



Ordering details

Item	Article Number	Description	Projection	Flat Bar	Length	Fixing Centres
BACK TO BACK FIXING						
B8070/270/40X8/PSS	9458072720102	B8070/270/40X8 OA 400 CTC 270 PSS	53mm	40mm x 8mm	400mm	270mm
B8070/270/40X8/SSS	9458072720101	B8070/270/40X8 OA 400 CTC 270 SSS	53mm	40mm x 8mm	400mm	270mm
ACCESSORIES - EXTENDED FIXINGS - sold as a pair						
TM/M8/50	9459508058200	M8/50 FERULE HEAD BOLT TM FIX	<p>Note: When ordering extended fixings please use the below formula.</p> <p>Door thickness + 20mm for the Ferule + 10mm in to the other handle = round up to the nearest size offered.</p>			
TM/M8/75	9459758078200	M8/75 FERULE HEAD BOLT TM FIX				
TM/M8/90	9400000012887	M8/90 BOLT & 16MM FERULE TM FIX				
TM/M8/100	9400000012888	M8/100 BOLT & 16MM FERULE TM FIX				
TM/M8/110	9459118118200	M8/110 BOLT & 16MM FERULE TM FIX				
TM/M8/120	9459128128200	M8/120 BOLT & 16MM FERULE TM FIX				
TM/M8/130	9459138138200	M8/130 BOLT & 16MM FERULE TM FIX				
TM/M8/150	9459158158200	M8/150 BOLT & 16MM FERULE TM FIX				
ACCESSORIES - GLASS FIXINGS - sold as a pair						
GF32/M8/50 RND	9459503288301	32 DIA RND GLASS FIXING PAIRS				
CONCEALED FIXING						
C8070/270/40X8/PSS	9458072720202	C8070/270/40X8 OA 400 CTC 270 PSS	53mm	40mm x 8mm	400mm	270mm
C8070/270/40X8/SSS	9458072720201	C8070/270/40X8 OA 400 CTC 270 SSS	53mm	40mm x 8mm	400mm	270mm
DISC FIXING						
D8070/270/40X8/PSS	9458072720302	D8070/270/40X8 OA 400 CTC 270 PSS	53mm	40mm x 8mm	400mm	270mm
D8070/270/40X8/SSS	9458072720301	D8070/270/40X8 OA 400 CTC 270 SSS	53mm	40mm x 8mm	400mm	270mm
ACCESSORIES - EXTENDED FIXINGS - sold as a pair						
DF32/M8/75 SSS	9400000014109	32MM DISK FIX PAIR M8X75MM SSS				
DF32/M8/75 PSS	9459753288102	32MM DISK FIX PAIR M8X75MM PSS				
ACCESSORIES - GLASS FIXINGS - sold as a pair						
GDF32/M8/50 PSS	9459503288102	32MM GLASS DISK FIX PSS PAIR M8X50MM				
GDF32/M8/50 SSS	9459503288101	32MM GLASS DISK FIX SSS PAIR M8X50MM				